



US00D749879S

(12) **United States Design Patent**
Wall

(10) **Patent No.:** **US D749,879 S**

(45) **Date of Patent:** **** Feb. 23, 2016**

- (54) **A-SHAPED GARMENT RACK**
- (71) Applicant: **Test Rite Products Corp.**, Ontario, CA
(US)
- (72) Inventor: **Joseph Wall**, Thatcher, AZ (US)
- (73) Assignee: **Test Rite Products Corp.**, Ontario
- (**) Term: **14 Years**
- (21) Appl. No.: **29/507,801**
- (22) Filed: **Oct. 30, 2014**
- (51) **LOC (10) Cl.** **06-06**
- (52) **U.S. Cl.**
USPC **D6/680.3**
- (58) **Field of Classification Search**
USPC D6/675, 675.1, 675.2, 675.5, 681,
D6/681.1, 681.2, 680, 680.3; 108/29, 59,
108/91-93, 181; 211/85.2, 85.3, 85.6
CPC A47B 57/00; A47B 96/00; A47B 61/00;
A47B 61/02; A47B 61/04
See application file for complete search history.

- D592,888 S * 5/2009 Johnson D6/681.1
- D623,446 S * 9/2010 Calco D6/678.4
- D652,186 S * 1/2012 Lin D32/25
- D655,877 S * 3/2012 Greenway et al. D32/58
- D730,247 S * 5/2015 Weeks D12/115

* cited by examiner

Primary Examiner — Kelley Donnelly

(74) *Attorney, Agent, or Firm* — Treasure IP Group, LLC

(57) **CLAIM**

The ornamental design for an A-shaped garment rack, as shown and described.

DESCRIPTION

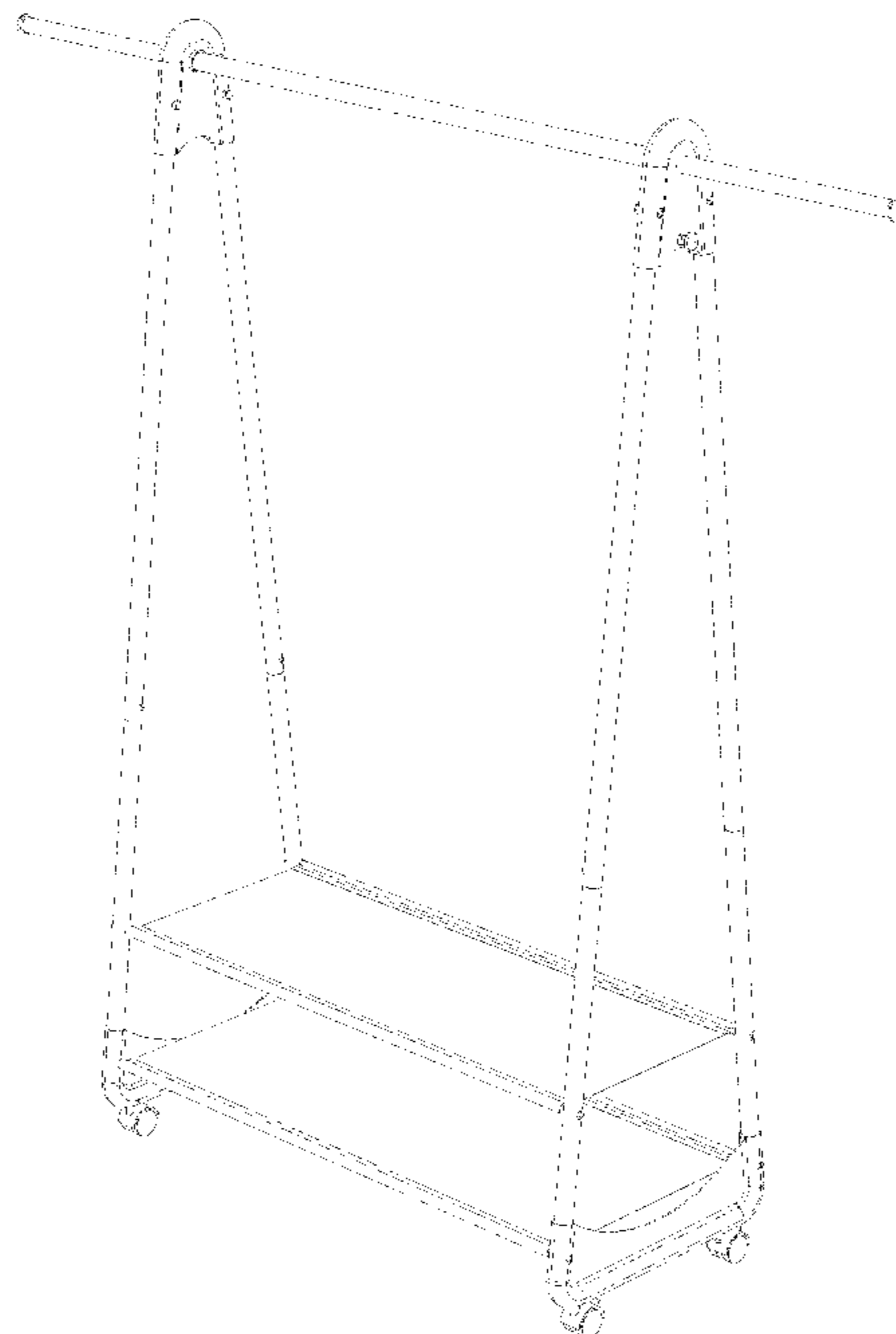
FIG. 1 is a perspective view of an embodiment of an A-shaped garment rack;
 FIG. 2 is a front view of the garment rack of FIG. 1;
 FIG. 3 is a left side view of a garment rack of FIG. 1, wherein the right side view is the same as the left side view;
 FIG. 4 is a top view of a garment rack of FIG. 1;
 FIG. 5 is a perspective view of the left bottom holding element of the garment rack of FIG. 1;
 FIG. 6 is left side view of the left bottom holding element of FIG. 5;
 FIG. 7 is a front view of the left bottom holding element of FIG. 5;
 FIG. 8 is a perspective view of the left top connecting element of the garment rack of FIG. 1, when the two pieces are de-attached;
 FIG. 9 is a left side view of the left top connecting element of FIG. 8; and,
 FIG. 10 is a front side view of the left top connecting element of FIG. 9, when the two pieces are de-attached.

1 Claim, 10 Drawing Sheets

(56) **References Cited**

U.S. PATENT DOCUMENTS

- 1,698,318 A * 1/1929 Norton 211/182
- D106,230 S * 9/1937 Fawcett D6/463
- D142,059 S * 8/1945 Botsford et al. D6/411
- D164,500 S * 9/1951 Ives D6/411
- 3,146,892 A * 9/1964 White 211/204
- 3,298,537 A * 1/1967 Di Marco 211/200
- D211,432 S * 6/1968 Gelles D6/411
- D295,337 S * 4/1988 Bogart D34/17
- D300,071 S * 2/1989 Dunchock D34/17
- D304,528 S * 11/1989 Handler et al. D6/681.1



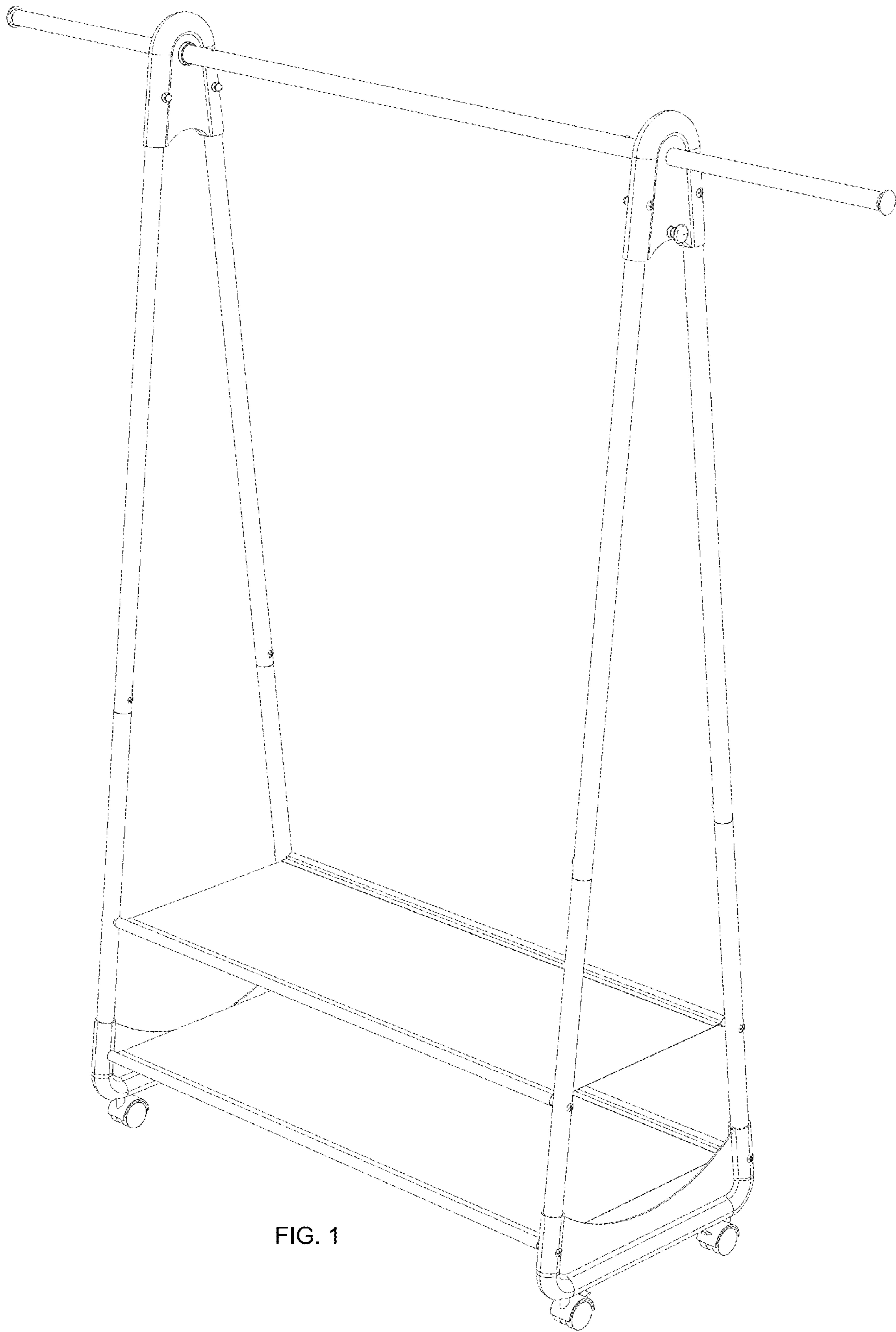


FIG. 1

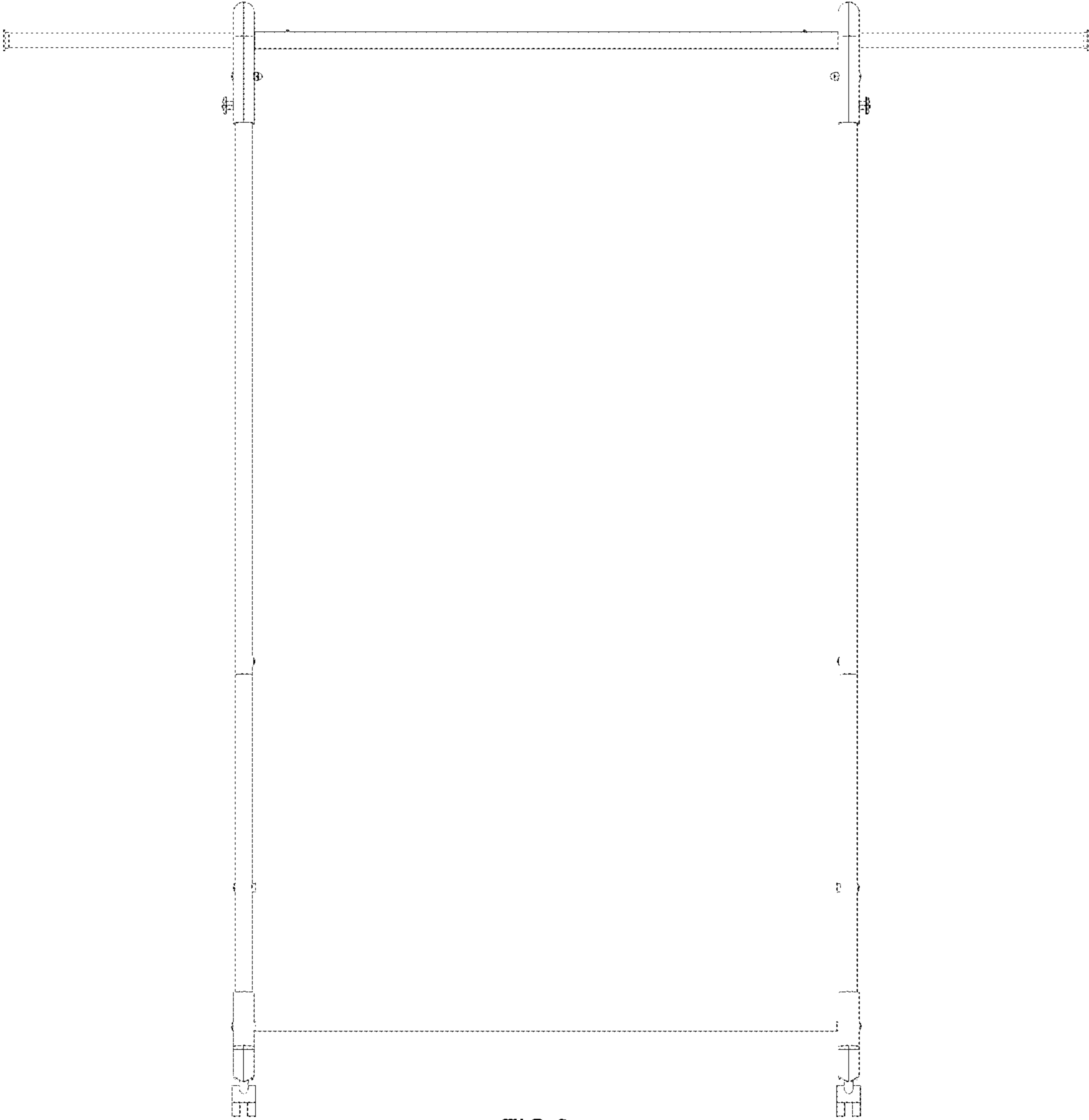


FIG.2

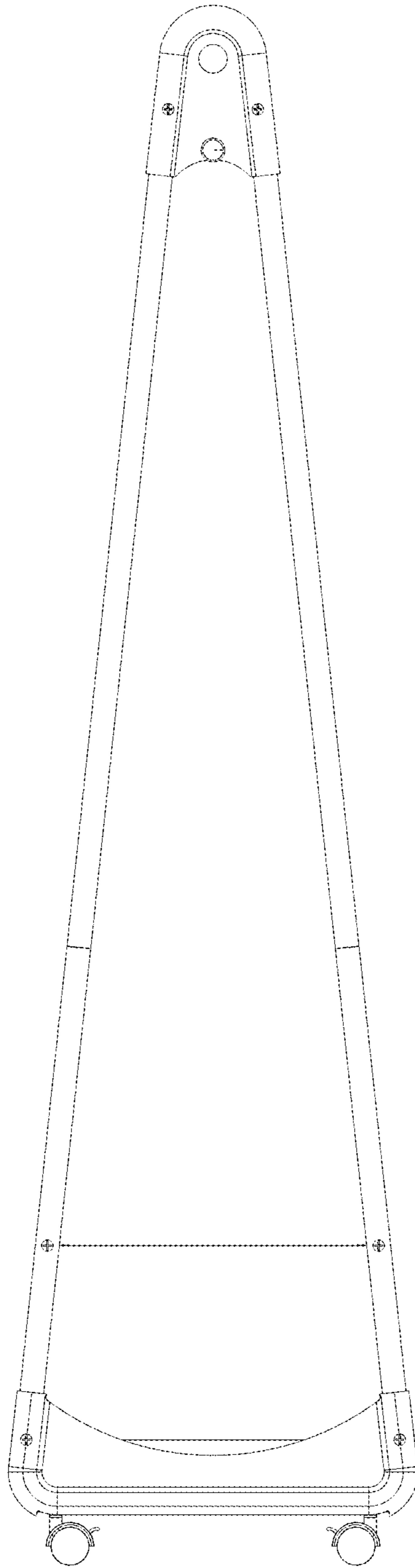


FIG.3

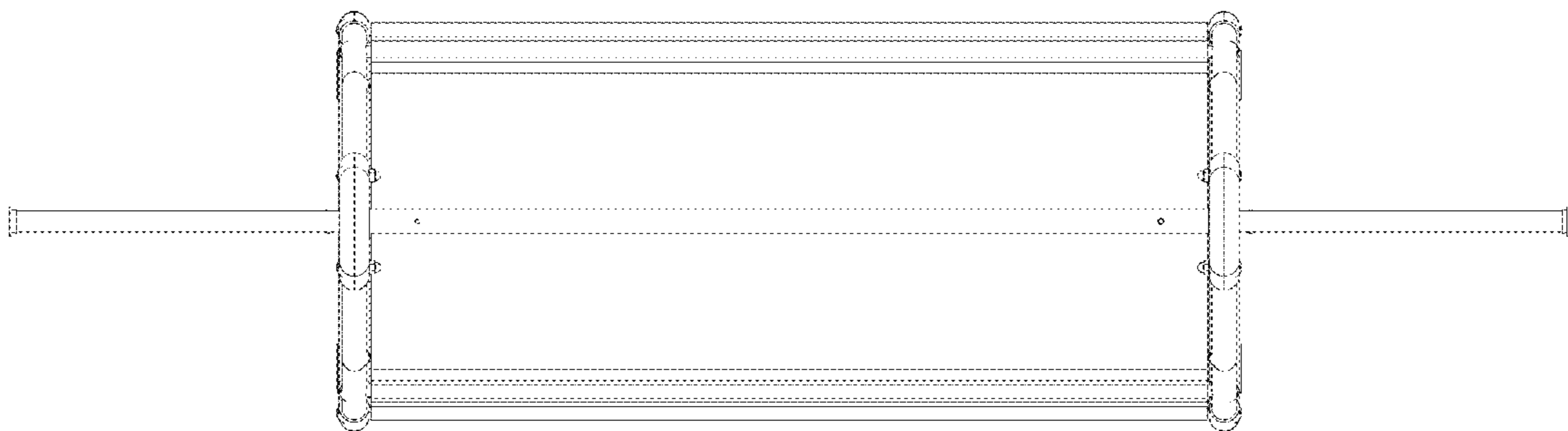


FIG.4

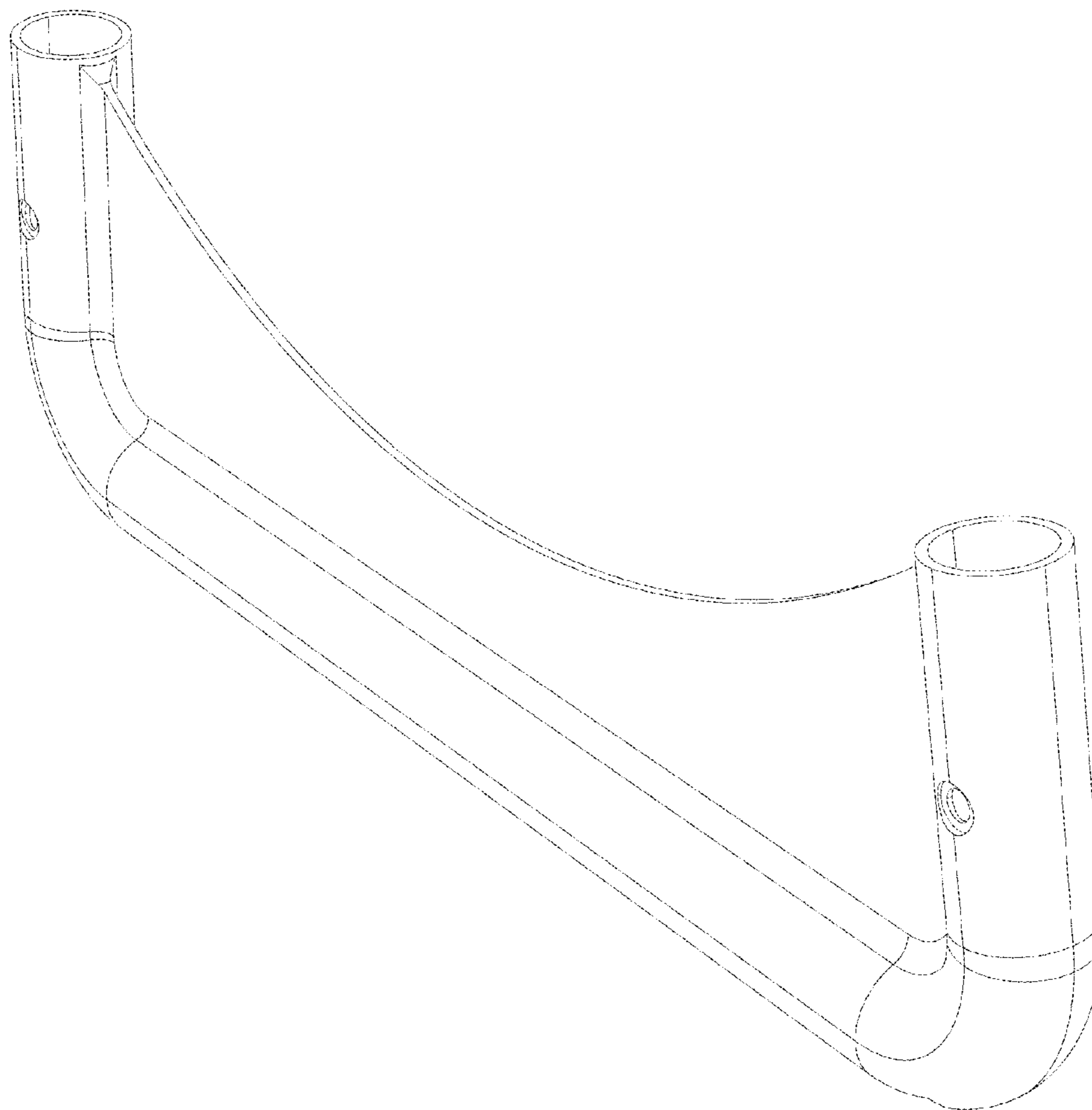


FIG. 5

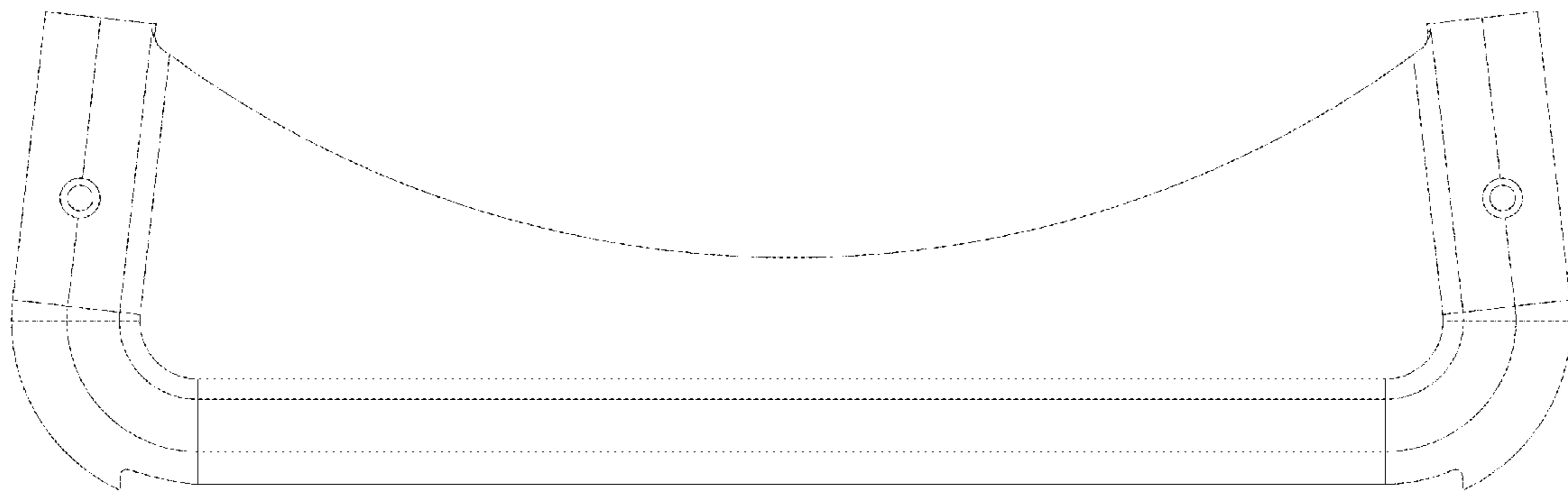


FIG.6

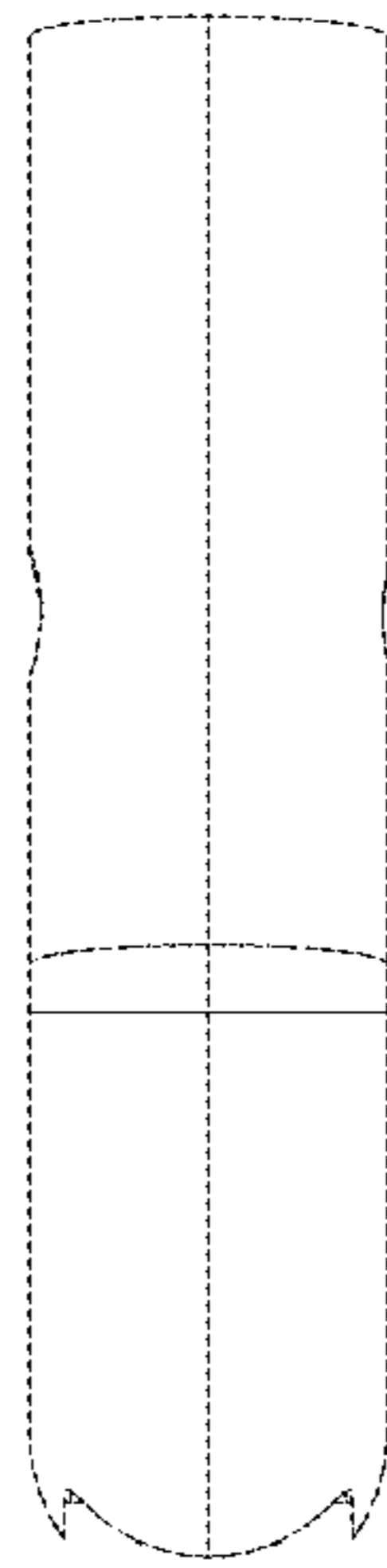


FIG.7

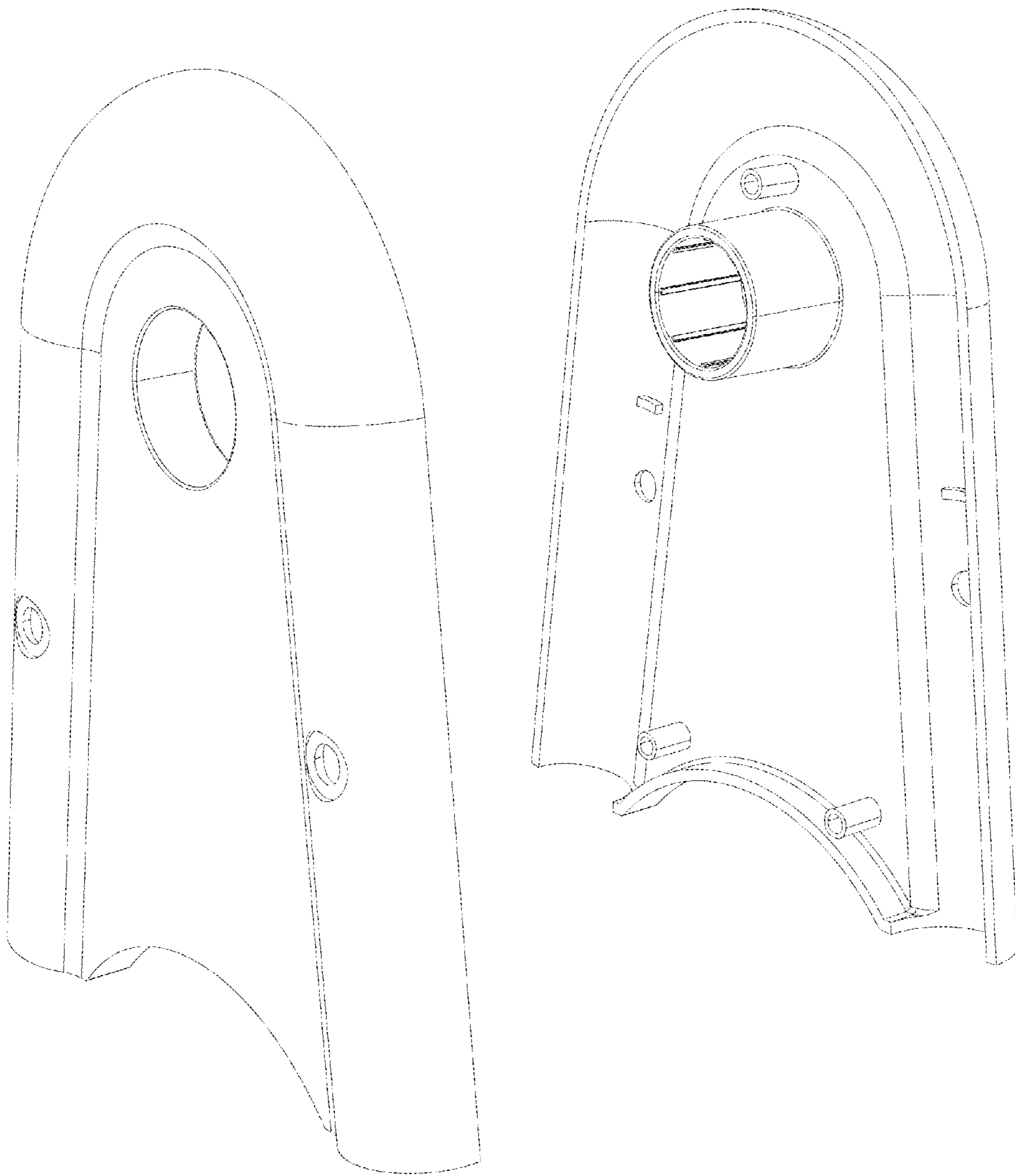


FIG. 8

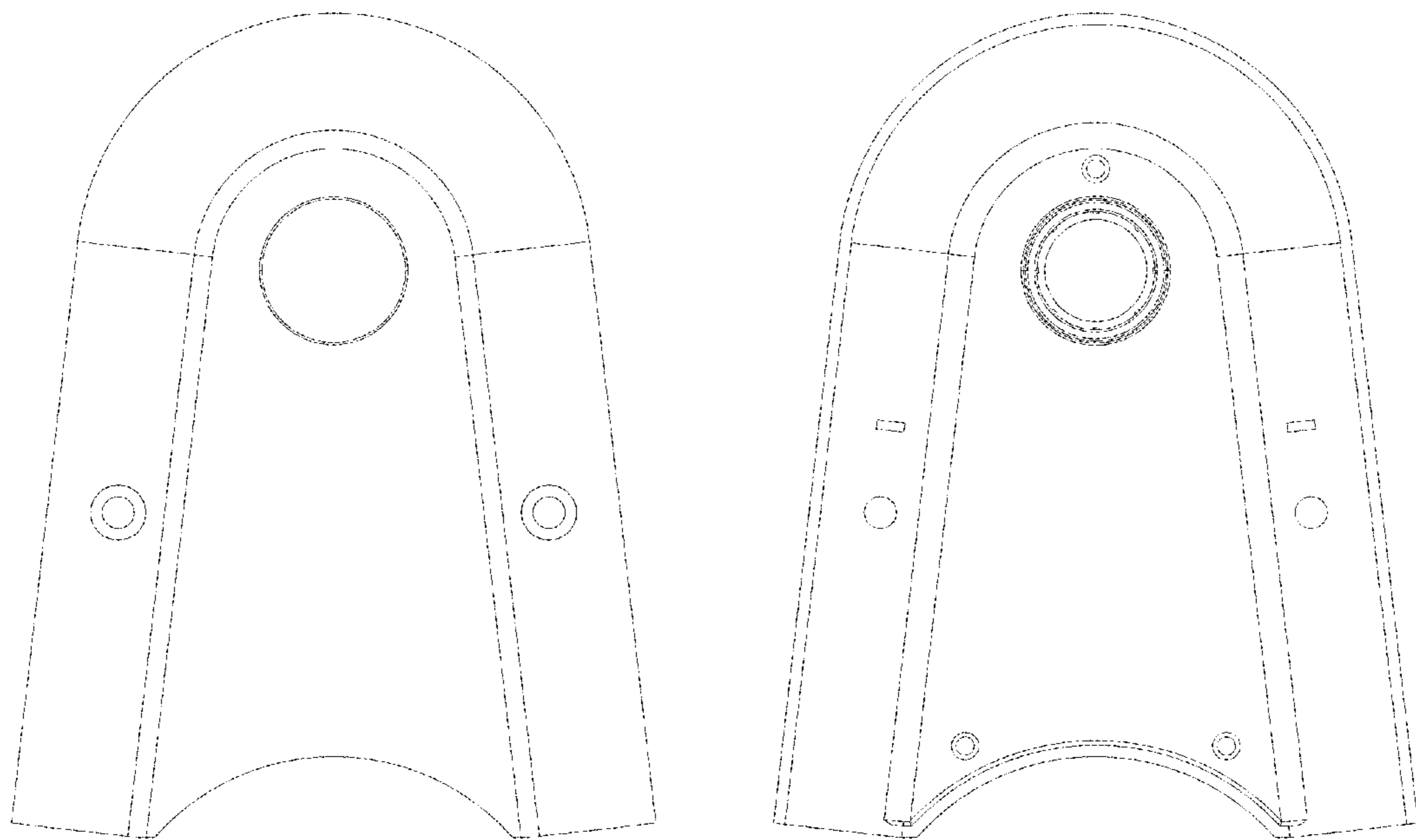


FIG. 9

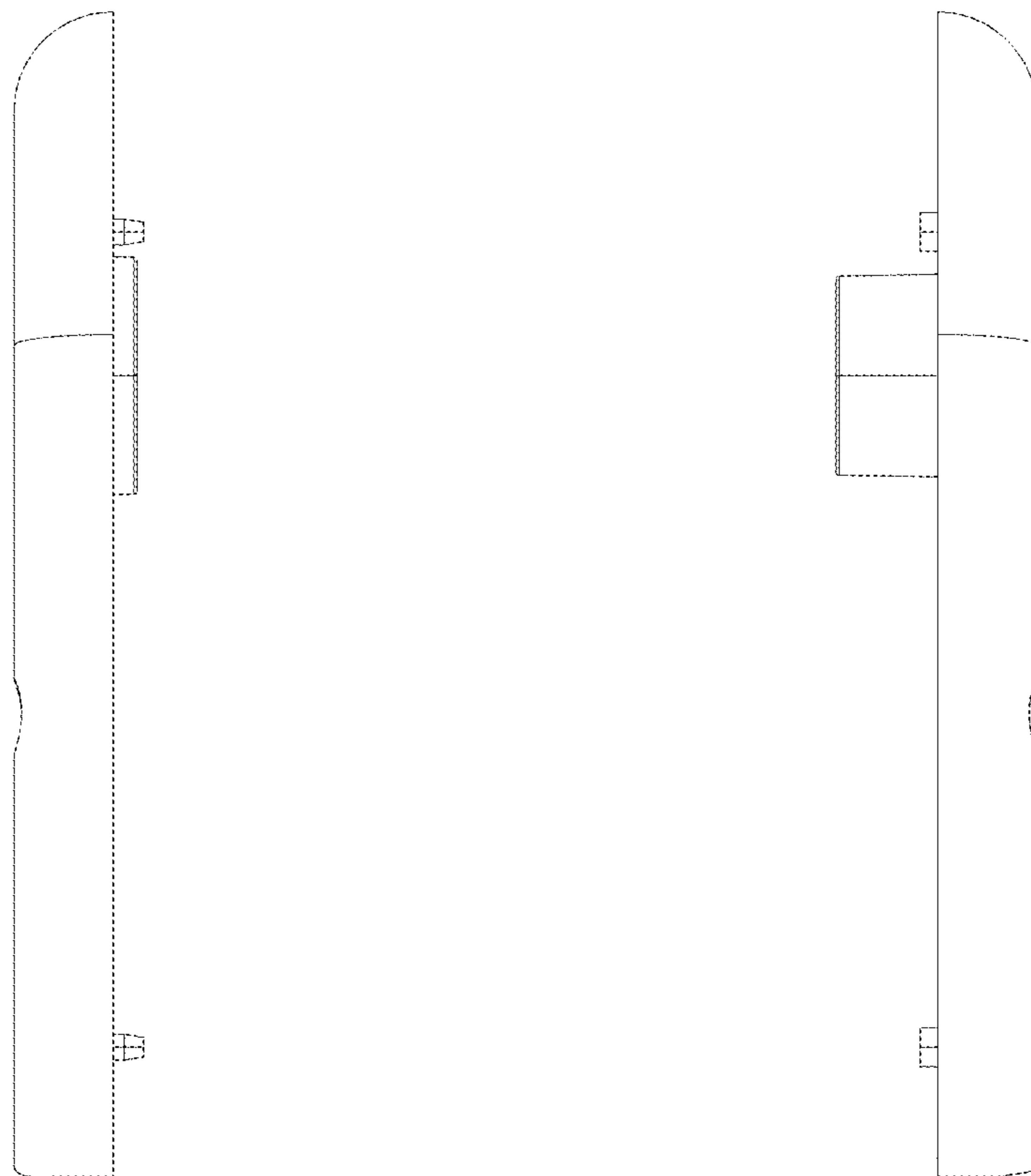


FIG. 10