



US00D749878S

(12) **United States Design Patent**  
**Domingo**

(10) **Patent No.:** **US D749,878 S**  
(45) **Date of Patent:** **\*\* Feb. 23, 2016**

(54) **TABLE**

(71) Applicant: **MAXCHIEF EUROPE, S.L.**,  
Barcelona (ES)

(72) Inventor: **Joan Chavarria Domingo**, Barcelona  
(ES)

(73) Assignee: **Maxchief Europe, S.L.**, Barcelona (ES)

(\*\*) Term: **14 Years**

(21) Appl. No.: **29/479,068**

(22) Filed: **Jan. 10, 2014**

(30) **Foreign Application Priority Data**

Jul. 10, 2013 (EM) ..... 002271759-0001

(51) **LOC (10) Cl.** ..... **06-03**

(52) **U.S. Cl.**  
USPC ..... **D6/656.13; D6/691.6**

(58) **Field of Classification Search**  
USPC ..... D6/641, 656, 656.1, 656.13, 656.15,  
D6/656.16, 656.17, 656.18, 691, 691.4,  
D6/691.5, 691.6

CPC ..... A47B 2200/0027; A47B 2200/0029;  
A47B 17/00; A47B 17/003; A47B 21/00;  
A47B 21/02; A47B 2097/006; A47B 17/02;  
A47B 9/20; A47B 9/00; A47B 85/02; A47B  
41/02; A47B 9/08; A47B 9/04; A47B 9/02;  
A47B 9/10; A47B 3/00; A47B 3/087; A47B  
3/091

See application file for complete search history.

(56) **References Cited**

U.S. PATENT DOCUMENTS

D437,145 S \* 2/2001 Leng ..... D6/429  
D503,570 S \* 4/2005 Anderson et al. .... D6/480  
D613,975 S \* 4/2010 Davis ..... D6/499

\* cited by examiner

*Primary Examiner* — Janice Seeger

(74) *Attorney, Agent, or Firm* — Baker and Rannells, PA

(57) **CLAIM**

The ornamental design for a table, as shown and described.

**DESCRIPTION**

FIG. 1 is a front, left side perspective view my new design for a table, wherein the table's legs are in an extended configuration, and wherein the front, right side perspective view is a mirror image thereof;

FIG. 2 is a front elevation view thereof;

FIG. 3 is a left side elevation view thereof, wherein the right side elevation view is a mirror image thereof;

FIG. 4 is a top plan view thereof;

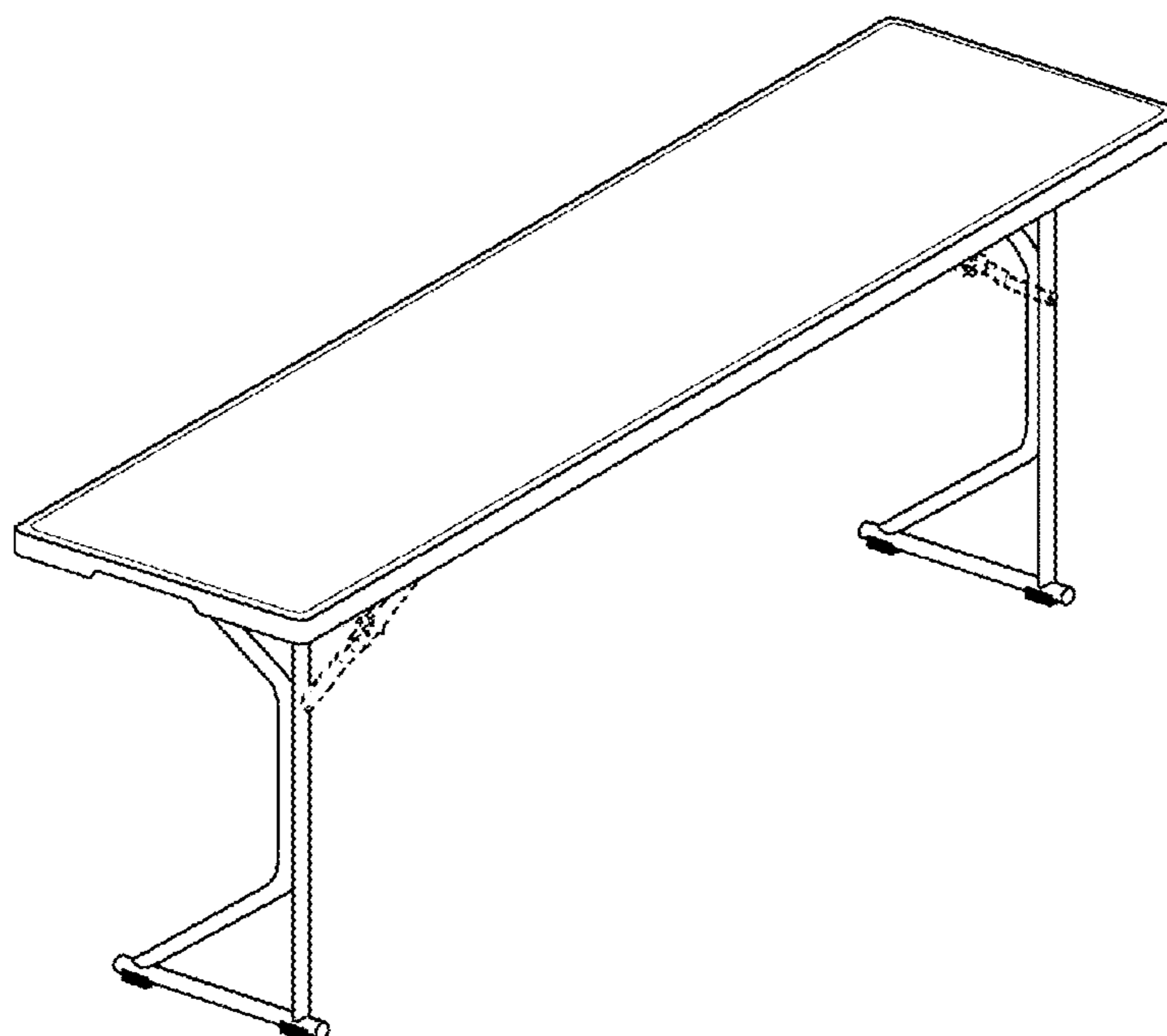
FIG. 5 is a front elevation view of my new design, wherein the table's legs are in a partially-collapsed configuration;

FIG. 6 is front elevation view of my new design, wherein the table's legs are in a collapsed configuration, and wherein a back elevation view is a mirror image thereof; and,

FIG. 7 is a bottom plan view thereof.

The broken lines are for environmental purposes only and form no part of the claimed design.

**1 Claim, 4 Drawing Sheets**



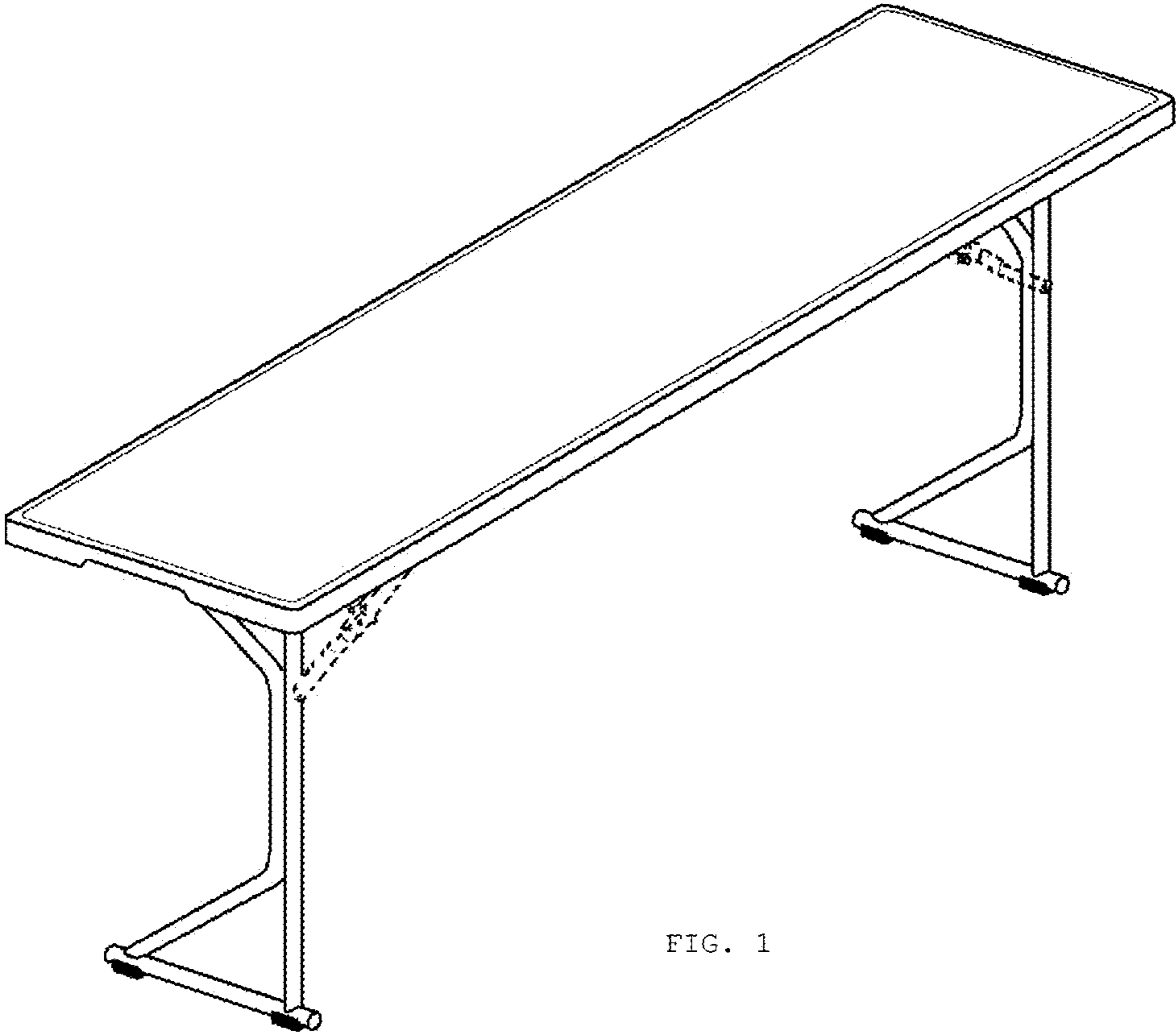


FIG. 1

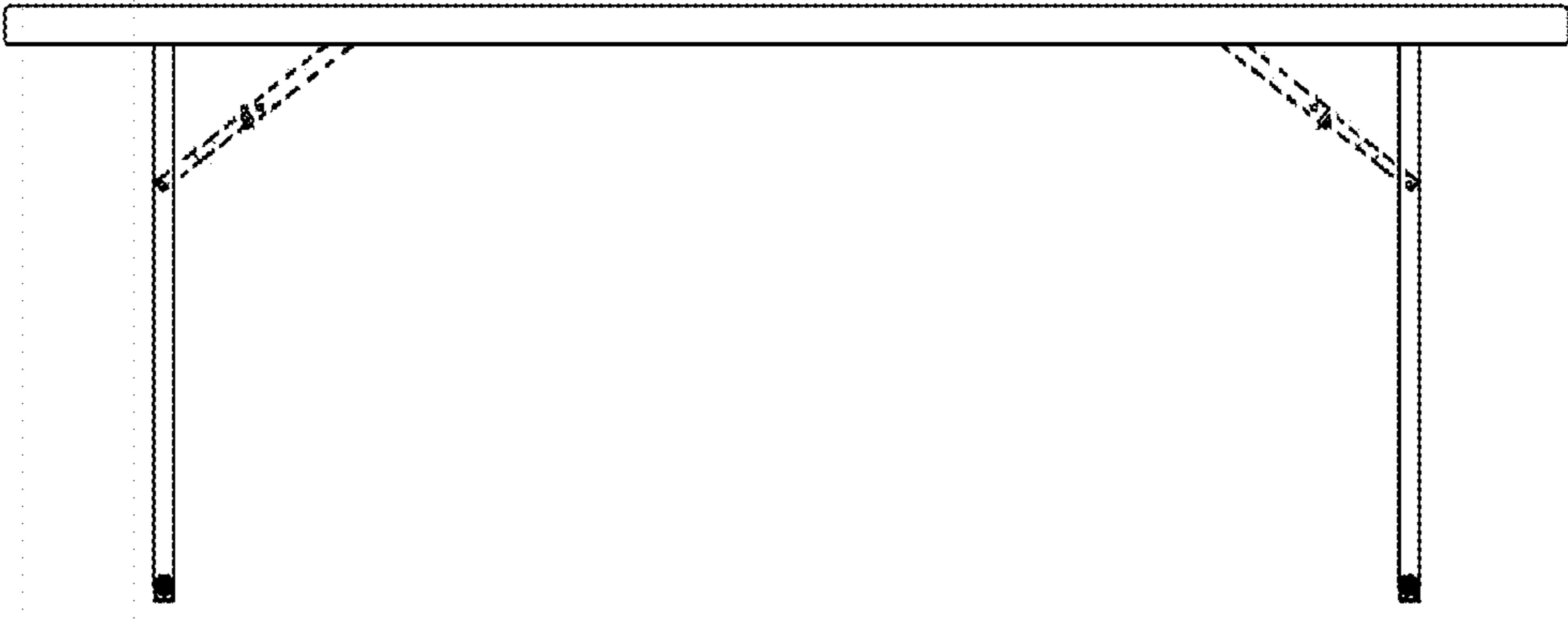


FIG. 2

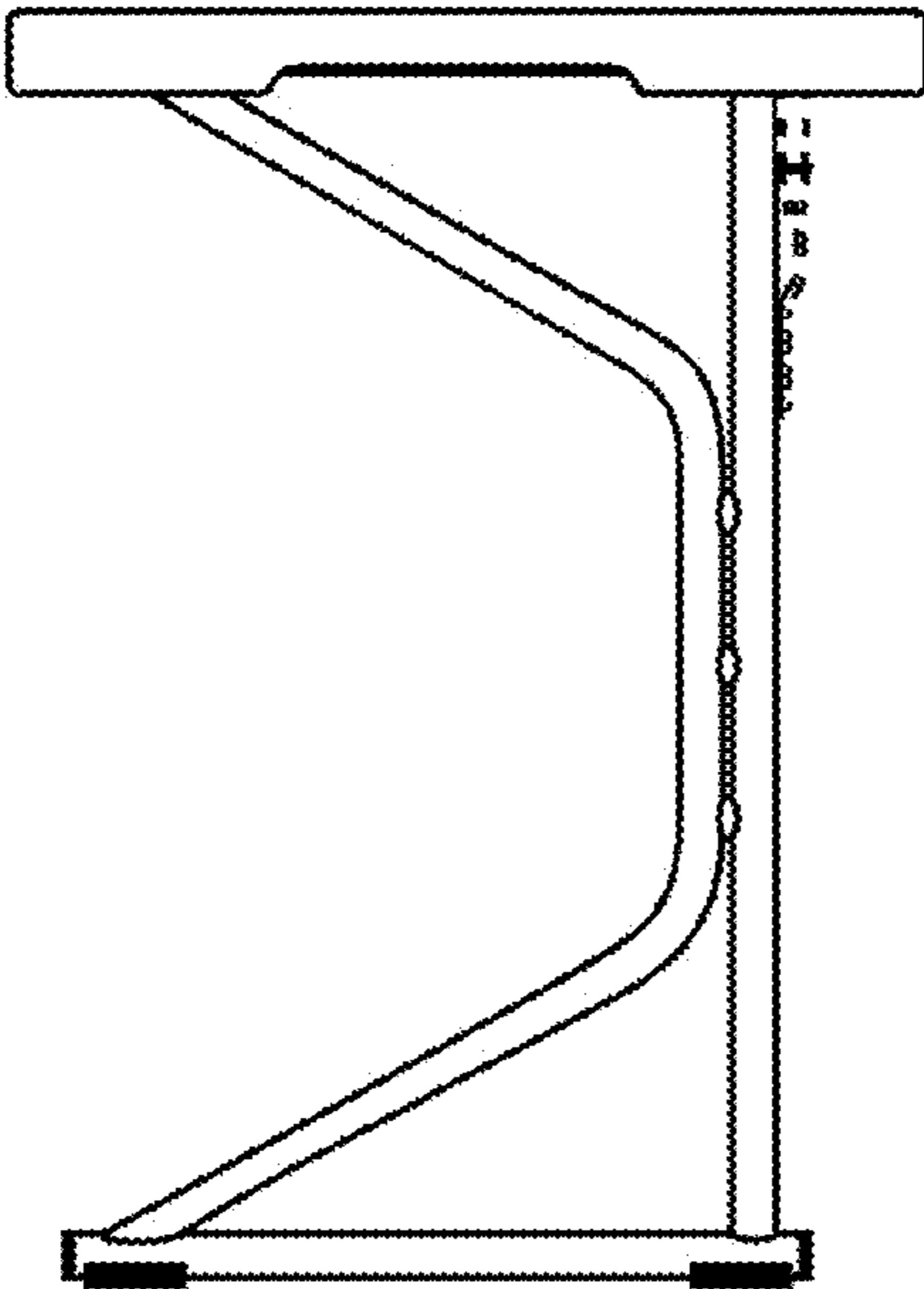


FIG. 3



FIG. 4

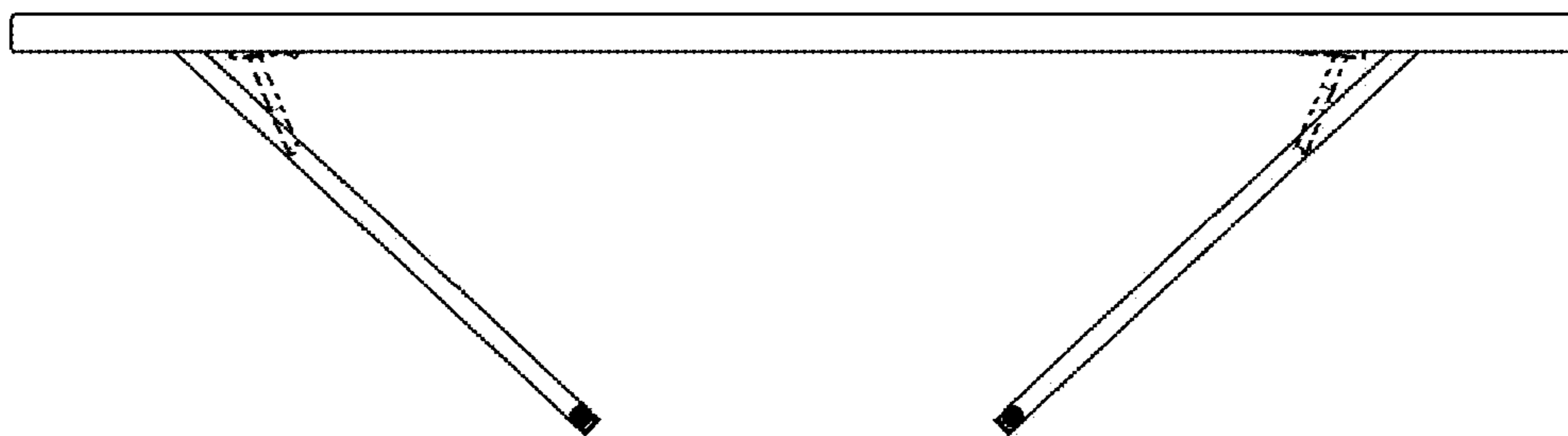


FIG. 5



FIG. 6

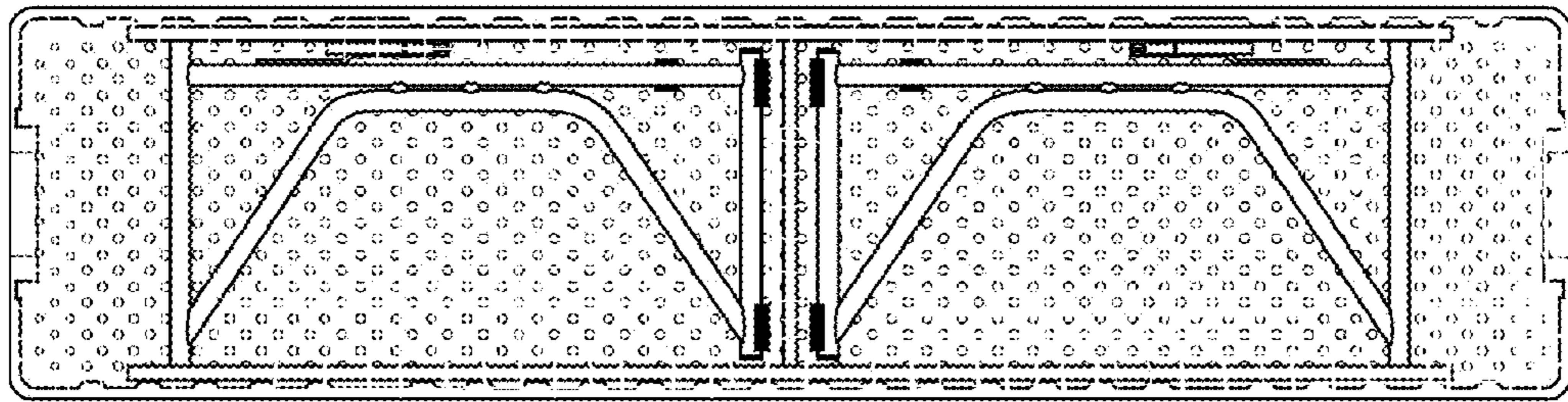


FIG. 7