

US00D749877S

(12) **United States Design Patent**  
**Rosenberg**

(10) **Patent No.:** **US D749,877 S**

(45) **Date of Patent:** **\*\* Feb. 23, 2016**

(54) **TABLE TOP COVER**

(71) Applicant: **Robert Rosenberg**, Marina Del Rey, CA (US)

(72) Inventor: **Robert Rosenberg**, Marina Del Rey, CA (US)

(\*\*) Term: **14 Years**

(21) Appl. No.: **29/495,240**

(22) Filed: **Jun. 27, 2014**

**Related U.S. Application Data**

(62) Division of application No. 29/438,446, filed on Nov. 29, 2012, now abandoned.

(51) **LOC (10) Cl.** ..... **06-13**

(52) **U.S. Cl.**  
USPC ..... **D6/612**

(58) **Field of Classification Search**  
USPC ..... D6/603, 610, 612, 613, 616, 617, 618, D6/583, 594; D7/624.1, 388; D5/41, 53, D5/55, 56, 59, 63

CPC . A47G 9/0023; A47G 9/0246; A47G 11/003; A47G 11/004; A47G 11/006; A47G 27/0225; A47G 21/002; A47G 27/002; A47B 13/086; A47B 13/10; D05B 77/00; B29D 99/0057; B29L 2031/3017; Y10T 428/31707  
See application file for complete search history.

(56) **References Cited**

**U.S. PATENT DOCUMENTS**

D11,990 S *	10/1880	Leissnee	.....	D5/41
D37,524 S *	8/1905	Pope et al.	.....	D5/59
1,453,123 A *	4/1923	Bickett	.....	425/403
D89,018 S *	1/1933	Willhelm	.....	D5/63
D92,994 S *	8/1934	Aaronson	.....	D5/59
D113,261 S *	2/1939	Fassler	.....	D6/603
D115,706 S *	7/1939	Fassler	.....	D6/603
2,449,796 A *	9/1948	Suskind	.....	15/238
D173,324 S *	10/1954	Portong	.....	D5/59

3,020,566 A *	2/1962	Anderson et al.	.....	5/497
3,181,179 A *	5/1965	Roddey, Jr.	.....	5/497
3,290,702 A *	12/1966	Seltzer	.....	5/497
4,703,530 A *	11/1987	Gusman	.....	5/497
4,744,118 A *	5/1988	Lunt	.....	5/487
5,908,681 A *	6/1999	Foster	.....	428/99
D414,973 S *	10/1999	Craft et al.	.....	D6/583
D437,722 S *	2/2001	Ierino et al.	.....	D6/596
D454,255 S *	3/2002	Walther et al.	.....	D5/55
6,381,812 B1 *	5/2002	Crider et al.	.....	24/306
D472,419 S *	4/2003	Robbins, III	.....	D6/582
D521,302 S *	5/2006	Yeh et al.	.....	D6/608
7,757,614 B2 *	7/2010	Nurse-Bey	.....	108/90
D623,459 S *	9/2010	Villalva	.....	D6/617
D674,226 S *	1/2013	Greenwald	.....	D6/582
D676,698 S *	2/2013	Yang	.....	D6/586
D699,054 S *	2/2014	Forlin	.....	D6/610
8,875,326 B1 *	11/2014	Bernath et al.	.....	5/497
D724,866 S *	3/2015	Johnson et al.	.....	D6/606

(Continued)

*Primary Examiner* — Eric Goodman

*Assistant Examiner* — Amy Wierenga

(74) *Attorney, Agent, or Firm* — Quickpatents, LLC; Kevin Prince

(57) **CLAIM**

I claim the ornamental design for a table top cover, as shown and described.

**DESCRIPTION**

FIG. 1 is a bottom perspective view of a table top cover, showing the design in a position of use on an unclaimed fold-up table;

FIG. 2 is a left-side elevational view thereof, the right-side elevational view being a mirror image thereof;

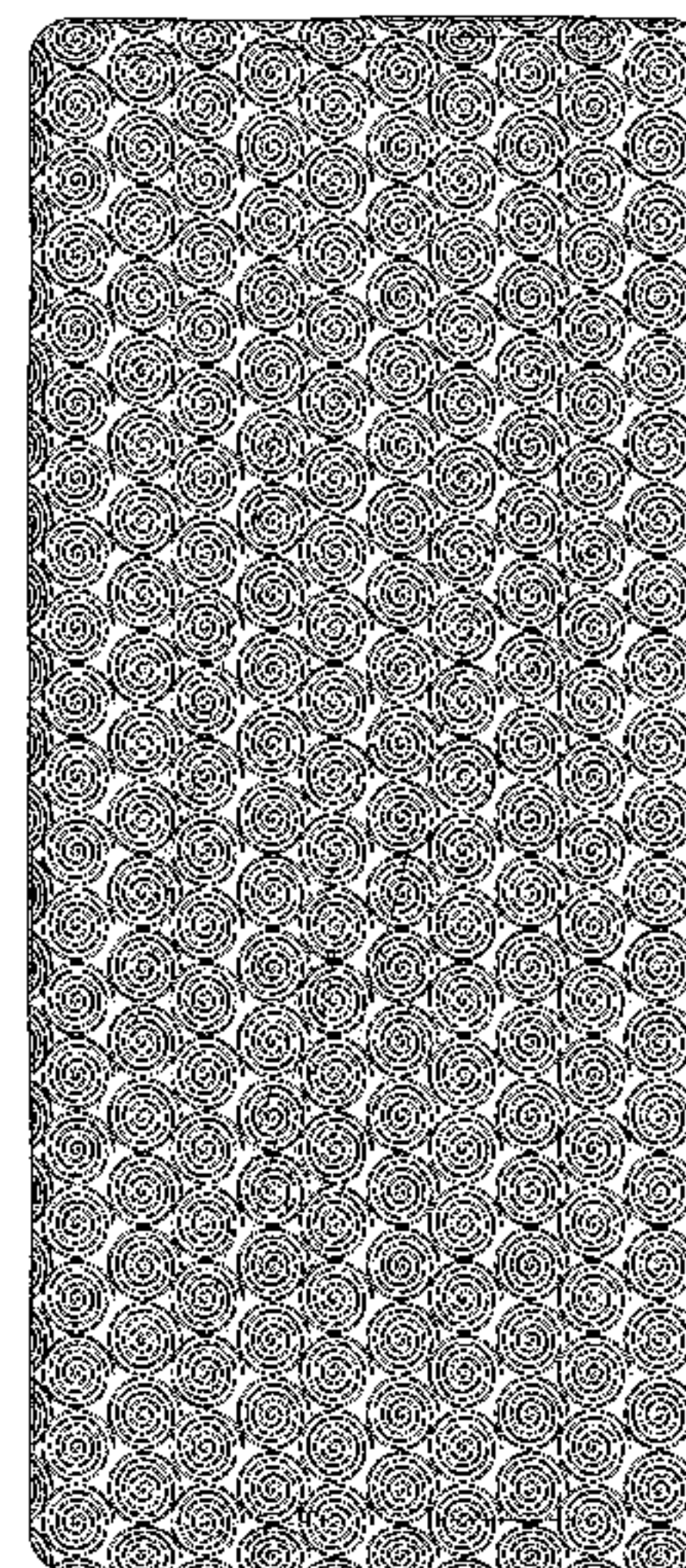
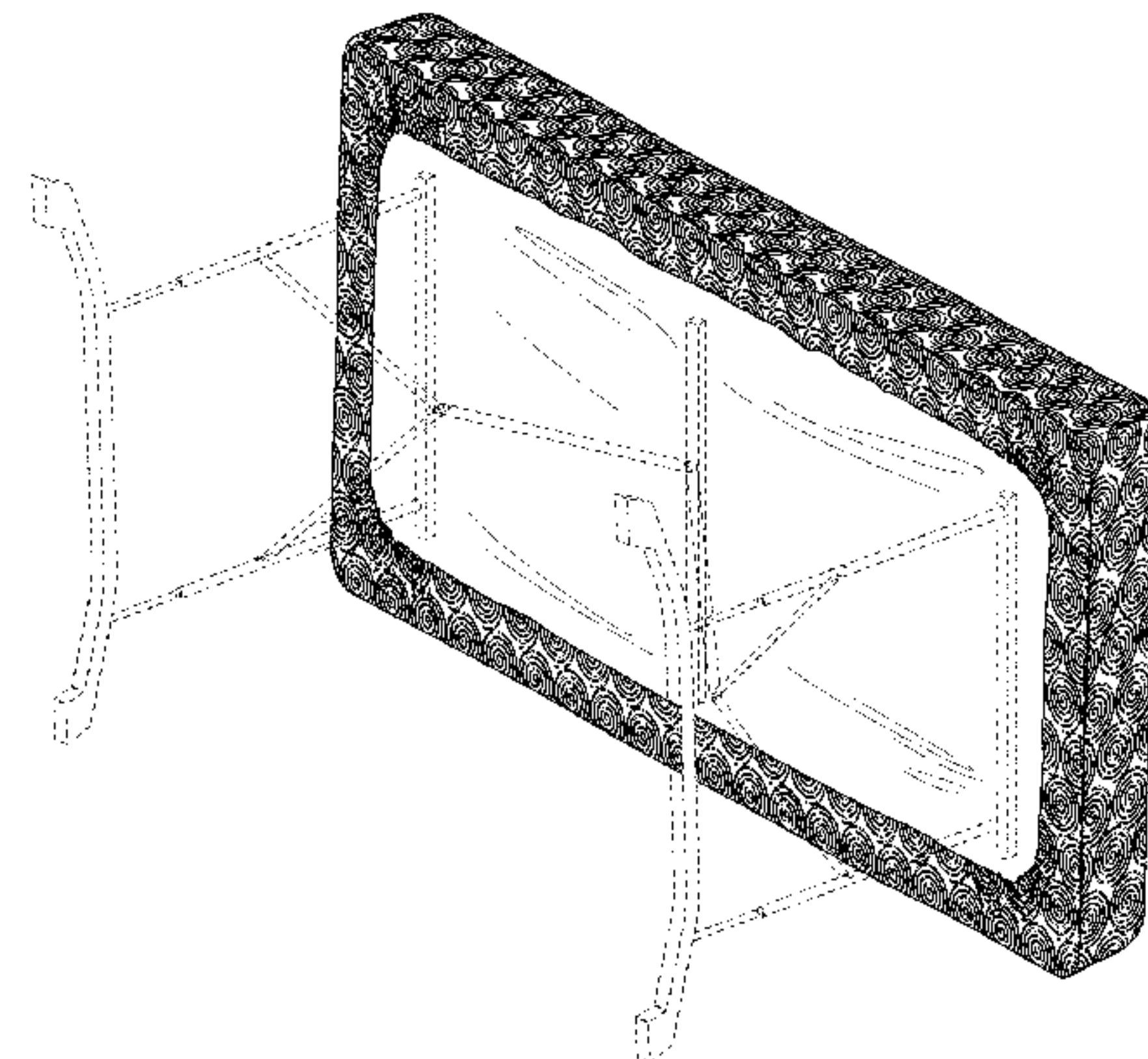
FIG. 3 is a front elevational view thereof, the rear elevational view being a mirror image thereof;

FIG. 4 is a top plan view thereof; and,

FIG. 5 is a bottom plan view thereof.

The broken lines showing an unclaimed fold-up table in FIG. 1 depict environmental matter and form no part of the claimed design.

**1 Claim, 4 Drawing Sheets**



# US D749,877 S

Page 2

---

(56)

## References Cited

### U.S. PATENT DOCUMENTS

2008/0078308 A1\* 4/2008 Edinger et al. .... 108/90  
2010/0224104 A1\* 9/2010 Swistun ..... 108/90  
2013/0263375 A1\* 10/2013 Regan et al. .... 5/500

2004/0238087 A1\* 12/2004 Ciapessoni ..... 150/158 \* cited by examiner



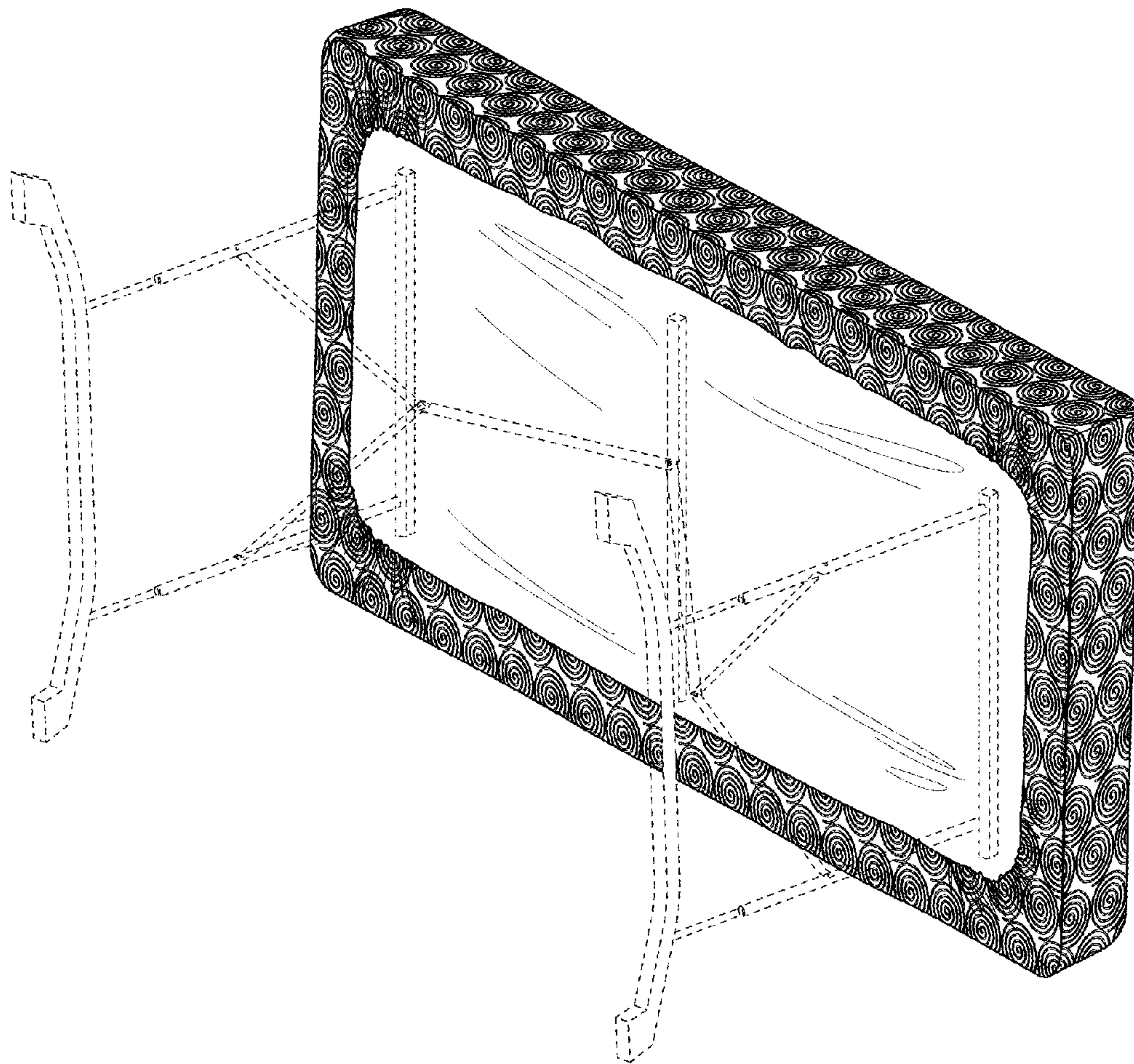


FIG. 1



FIG. 2

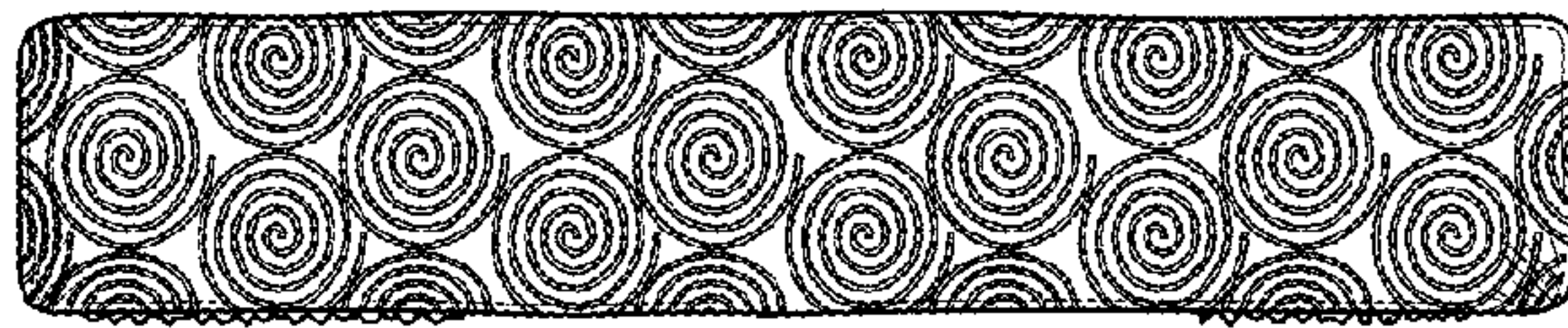


FIG. 3



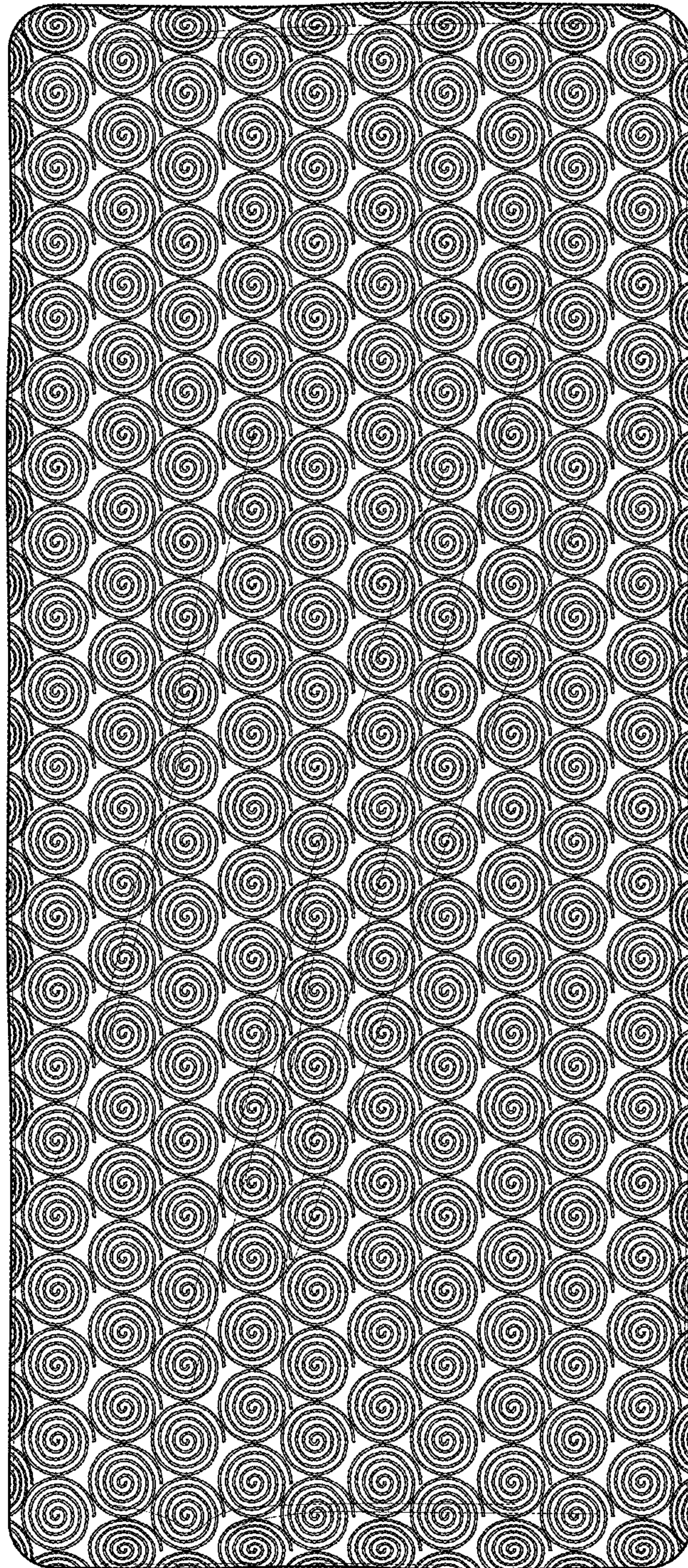


FIG. 4



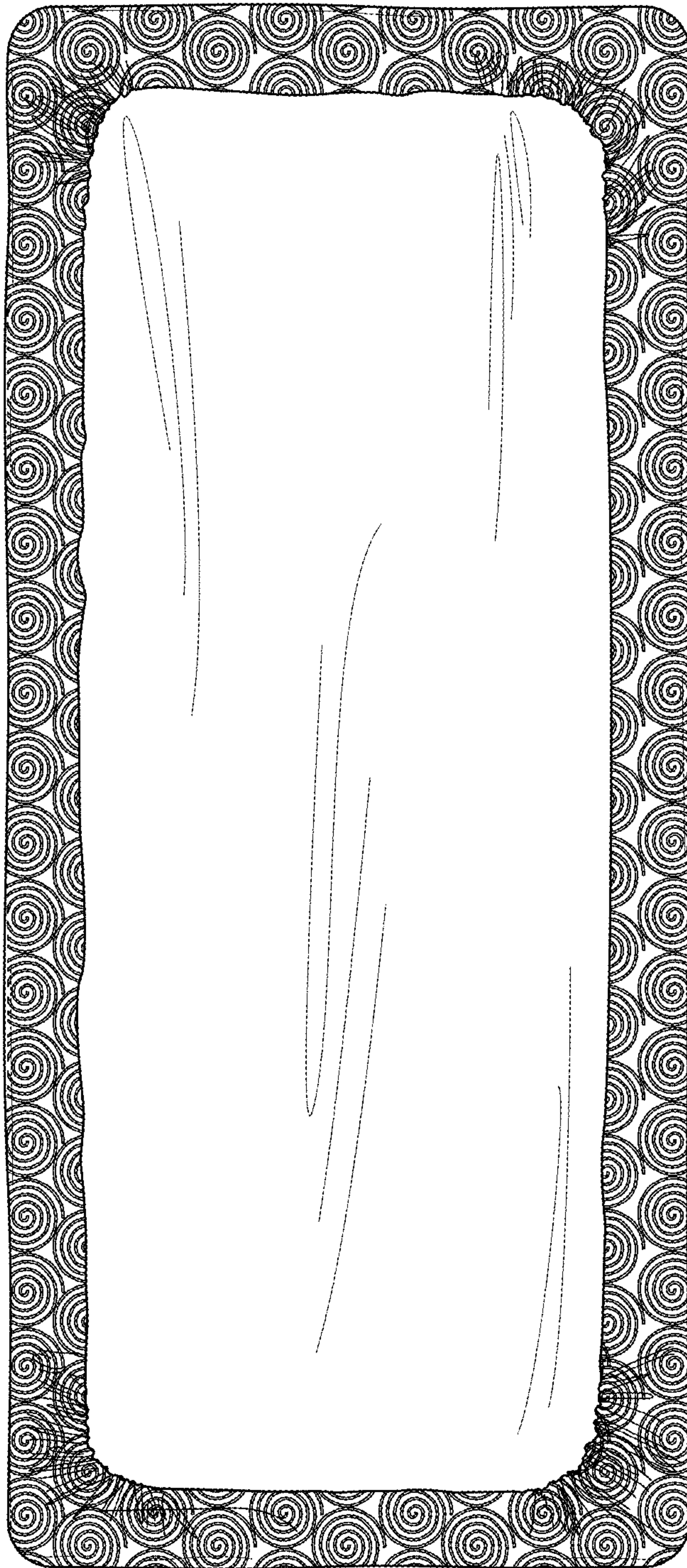


FIG. 5