



US00D749875S

(12) **United States Design Patent**  
**Sullivan**

(10) **Patent No.:** **US D749,875 S**  
(45) **Date of Patent:** **\*\* Feb. 23, 2016**

- (54) **PILLOW SUPPLEMENT**
- (71) Applicant: **Kirk Sullivan**, Orland, FL (US)
- (72) Inventor: **Kirk Sullivan**, Orland, FL (US)
- (\*\*) Term: **14 Years**
- (21) Appl. No.: **29/498,870**
- (22) Filed: **Aug. 8, 2014**

D315,838	S *	4/1991	Penrod	.....	5/944
5,231,720	A	8/1993	Benoff		
5,522,105	A	6/1996	Fujiwara et al.		
5,953,777	A	9/1999	Buck		
D415,646	S *	10/1999	Futagami	.....	D6/601
D438,417	S *	3/2001	Liu	.....	D6/596
6,523,199	B2	2/2003	Gross		
6,951,038	B1	10/2005	Ganoe, Sr.		
7,353,773	B2 *	4/2008	Lamstein	.....	A01K 1/0157 119/28.5
7,424,760	B2	9/2008	Chaffee		
D584,911	S *	1/2009	Hisey	.....	D21/803
2003/0192123	A1 *	10/2003	Chaffee	.....	A47C 4/54 5/655.3
2005/0091748	A1	5/2005	Ku		
2006/0005314	A1	1/2006	Lee		
2013/0312194	A1 *	11/2013	Sullivan	.....	A47G 9/1027 5/644

**Related U.S. Application Data**

- (63) Continuation-in-part of application No. 13/900,747, filed on May 23, 2013, now abandoned.
- (51) **LOC (10) Cl.** ..... **06-09**
- (52) **U.S. Cl.**  
USPC ..... **D6/604**
- (58) **Field of Classification Search**  
USPC ..... D20/595-601, 604; D21/803, 804;  
D24/183  
CPC ..... A47C 7/021; A47C 7/383; A47C 7/425;  
A47C 7/428; A47C 7/546; A47C 16/00;  
A47C 20/00; A47C 20/02; A47C 20/021;  
A47C 20/026; A47C 20/027; A47C 27/001;  
A47C 27/081; A47G 9/10; A47G 9/1027;  
A47G 9/1045; A47G 9/1054; A47G 9/1063;  
A47G 9/1072; A47G 9/1081; A47G 9/109;  
A47D 13/00; A47D 13/08  
See application file for complete search history.

\* cited by examiner

*Primary Examiner* — Mary Ann Calabrese

(74) *Attorney, Agent, or Firm* — Allen Dyer Doppelt  
Milbrath & Gilchrist

(57) **CLAIM**

The ornamental design for a pillow supplement, as shown and described.

**DESCRIPTION**

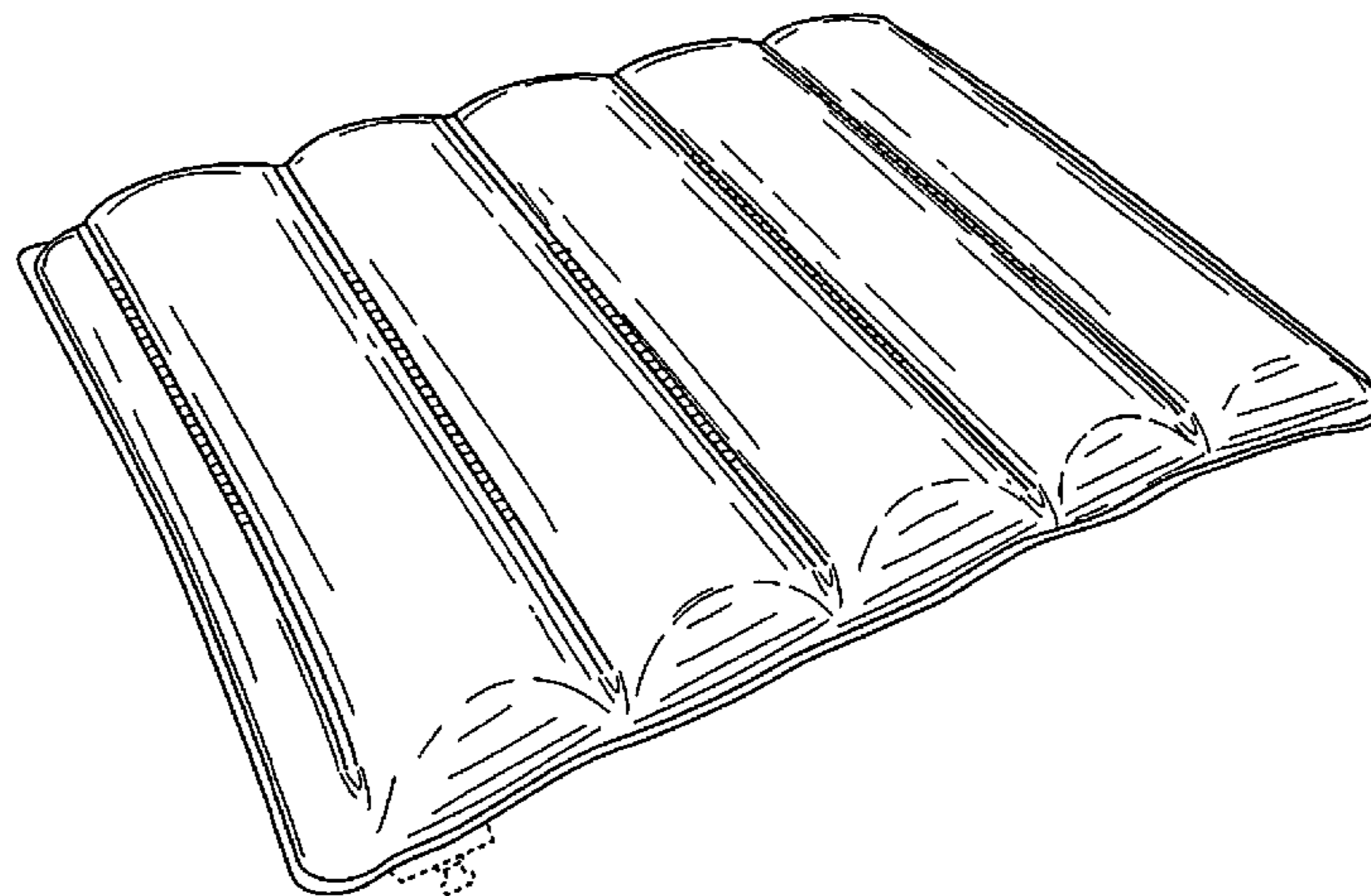
FIG. 1 is a top, front, right side perspective view of the design, according to the invention;  
 FIG. 2 is a bottom, front, right side perspective view of the design of FIG. 1;  
 FIG. 3 is a top view of the design of FIG. 1;  
 FIG. 4 is a bottom view of the design of FIG. 1;  
 FIG. 5 is a front view of the design of FIG. 1;  
 FIG. 6 is a rear view of the design of FIG. 1;  
 FIG. 7 is a right side view of the design of FIG. 1;  
 FIG. 8 is a left side view of the design of FIG. 1; and,  
 FIG. 9 is a top, front, right side perspective view of the design of FIG. 1, in an environment of use.  
 Broken lines illustrate environment and form no part of the claimed design.

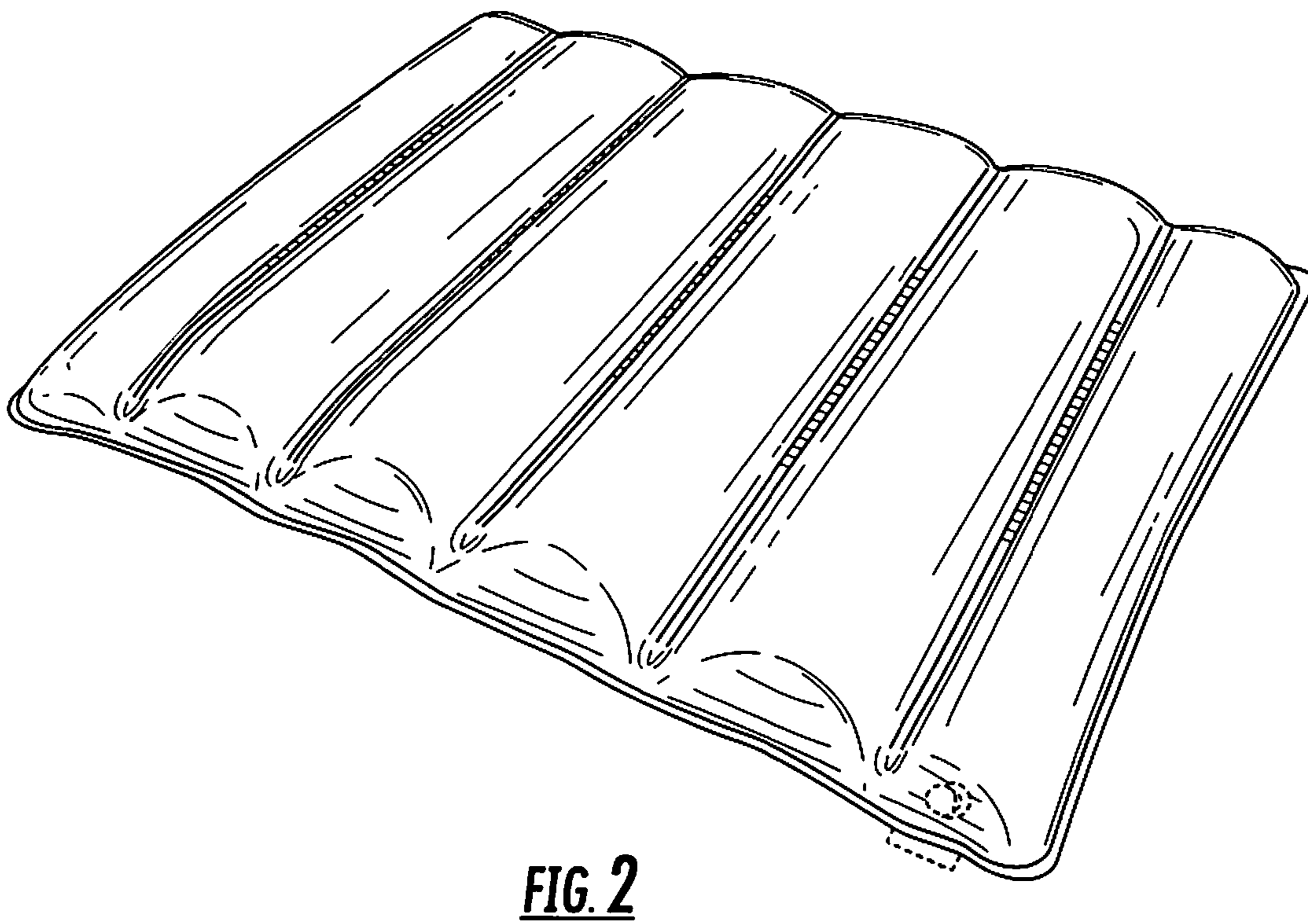
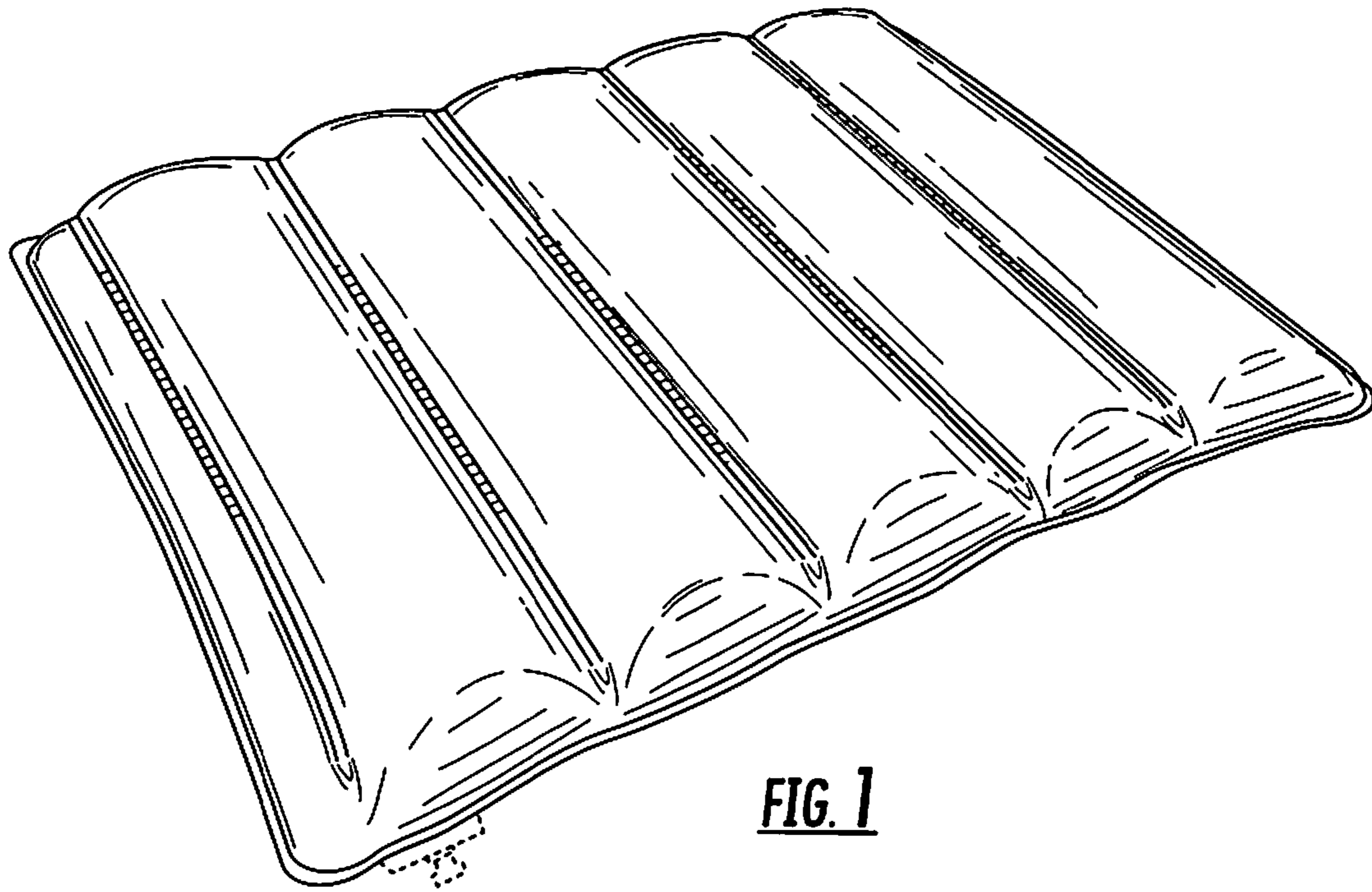
**1 Claim, 6 Drawing Sheets**

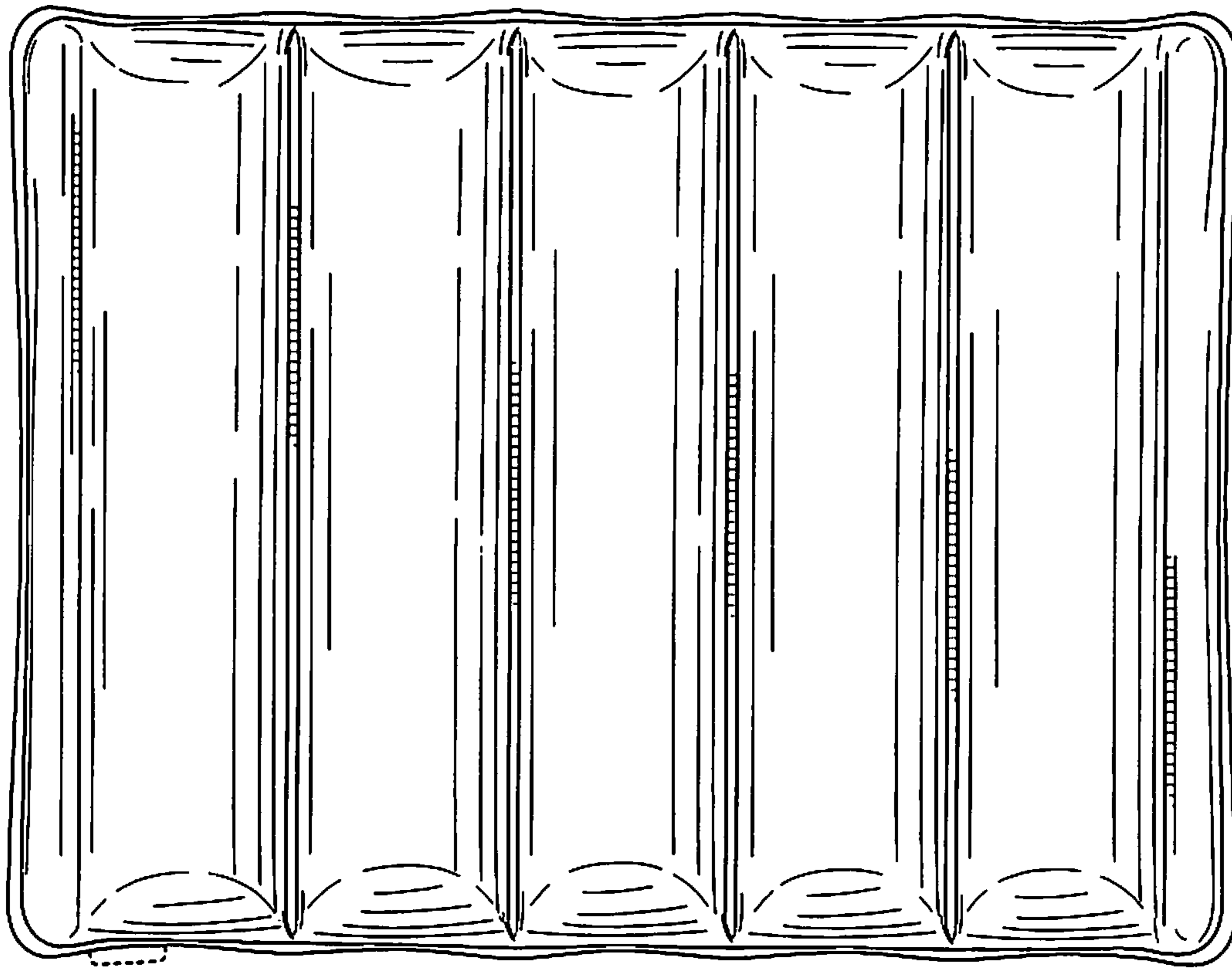
(56) **References Cited**

**U.S. PATENT DOCUMENTS**

754,329	A *	3/1904	Milliken	.....	A47C 27/001 5/722
1,382,831	A	6/1921	Hilker		
1,916,483	A *	7/1933	Krichbaum	.....	A47C 27/081 2/88
3,505,695	A *	4/1970	Bishaf	.....	A47C 27/081 137/228
D253,983	S *	1/1980	McRight	.....	D6/604
D276,487	S *	11/1984	Kao	.....	D6/596
D310,313	S *	9/1990	Afeyan	.....	D21/809







**FIG. 3**

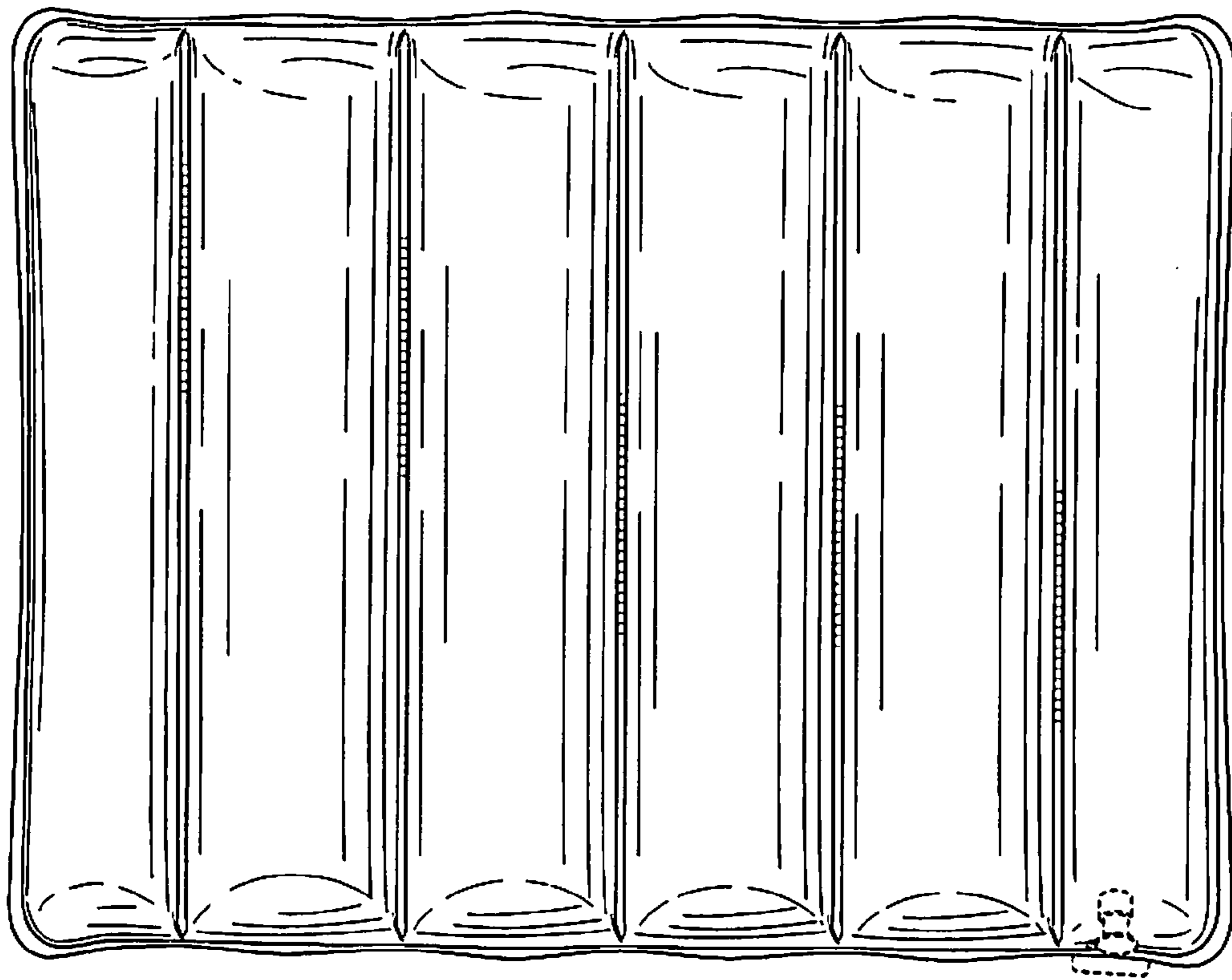


FIG. 4



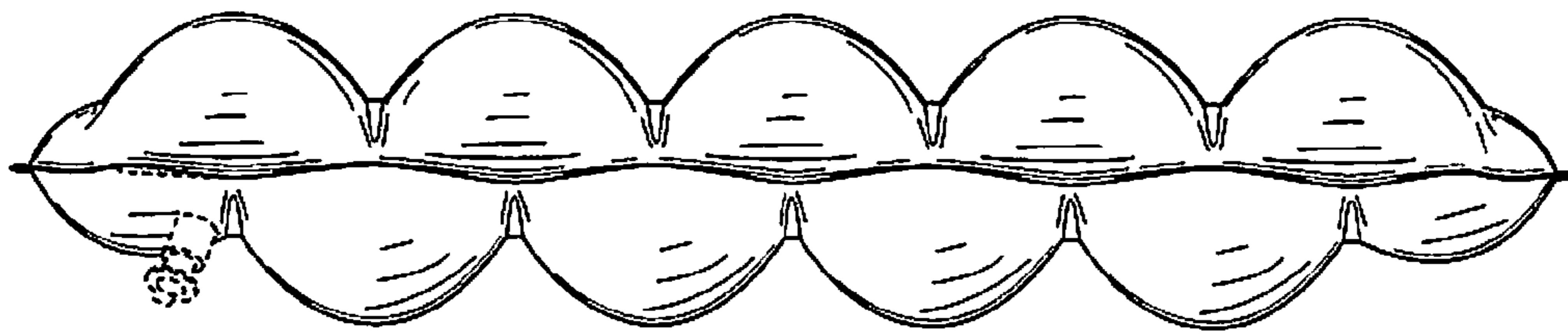


FIG. 5

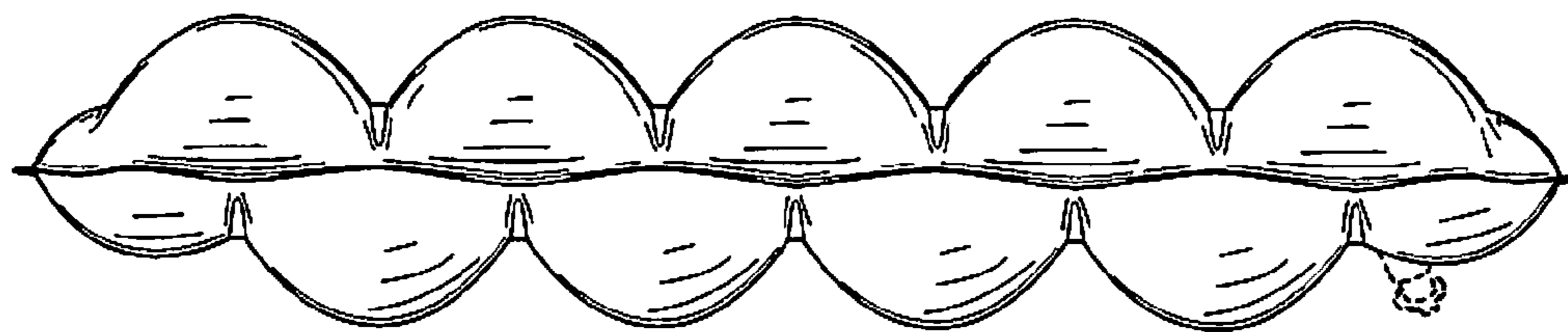


FIG. 6



FIG. 7

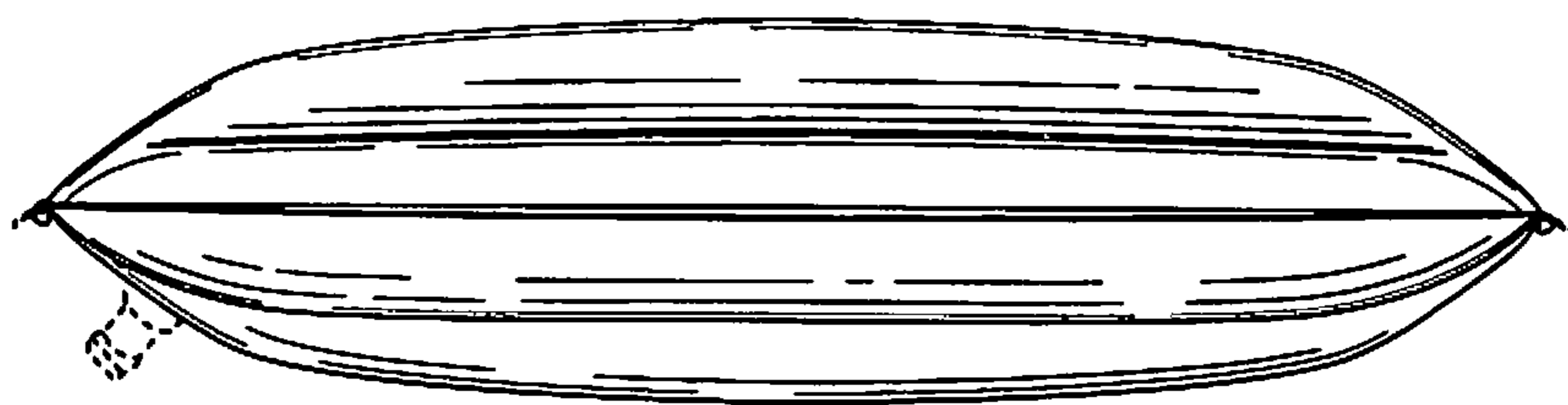
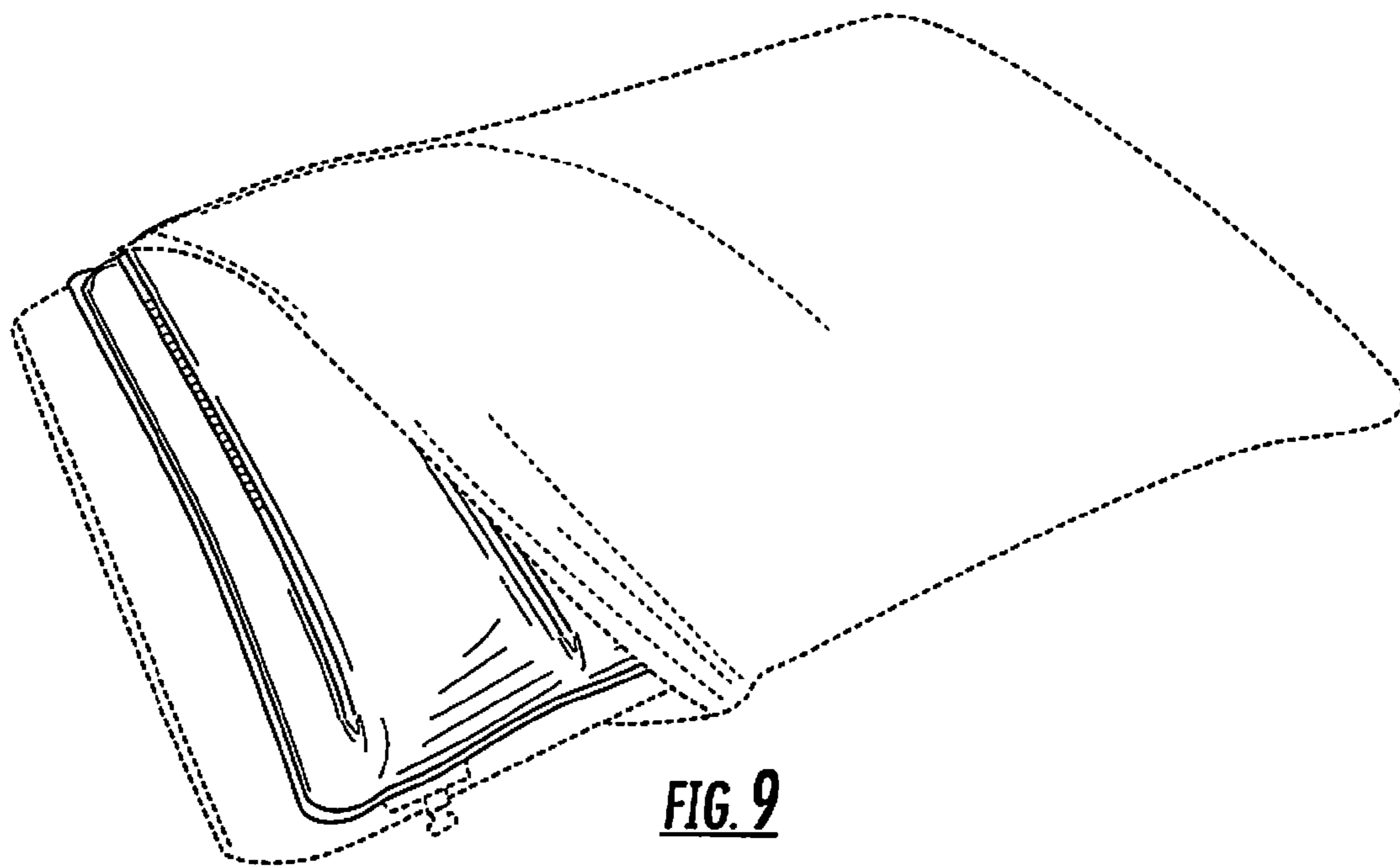


FIG. 8



**FIG. 9**