



US00D749871S

(12) **United States Design Patent**
Page et al.

(10) **Patent No.:** **US D749,871 S**
(45) **Date of Patent:** **** Feb. 23, 2016**

(54) **DISPENSING APPARATUS FOR CUSHIONING WRAP MATERIAL**

(71) Applicant: **Ranpak Corp.**, Concord Township, OH (US)

(72) Inventors: **Brandon Cadette Page**, Durham, NC (US); **Marcelo Miller Passos**, Morrisville, NC (US); **Jacob Daniel Wills**, Clayton, NC (US)

(73) Assignee: **Ranpak Corp.**, Painesville, OH (US)

(**) Term: **15 Years**

(21) Appl. No.: **29/529,494**

(22) Filed: **Jun. 8, 2015**

Related U.S. Application Data

(62) Division of application No. 29/459,852, filed on Jul. 3, 2013, now Pat. No. Des. 735,488.

(51) **LOC (10) Cl.** **20-02**

(52) **U.S. Cl.**
USPC **D6/518**

(58) **Field of Classification Search**
USPC D6/515, 518; D34/10; D7/354, 357, D7/677, 359
CPC B65D 33/002; B65D 85/04; B65D 85/02; B65F 1/06; B65F 1/004; B67B 3/14; B67B 3/12; D21D 51/50
See application file for complete search history.

(56) **References Cited**

U.S. PATENT DOCUMENTS

D511,918 S *	11/2005	Miller	D6/518
D637,027 S *	5/2011	Withers	D6/518
D690,126 S *	9/2013	Ogawa	D6/518

* cited by examiner

Primary Examiner — Brian N Vinson

(74) *Attorney, Agent, or Firm* — Renner, Otto, Boisselle & Sklar, LLP

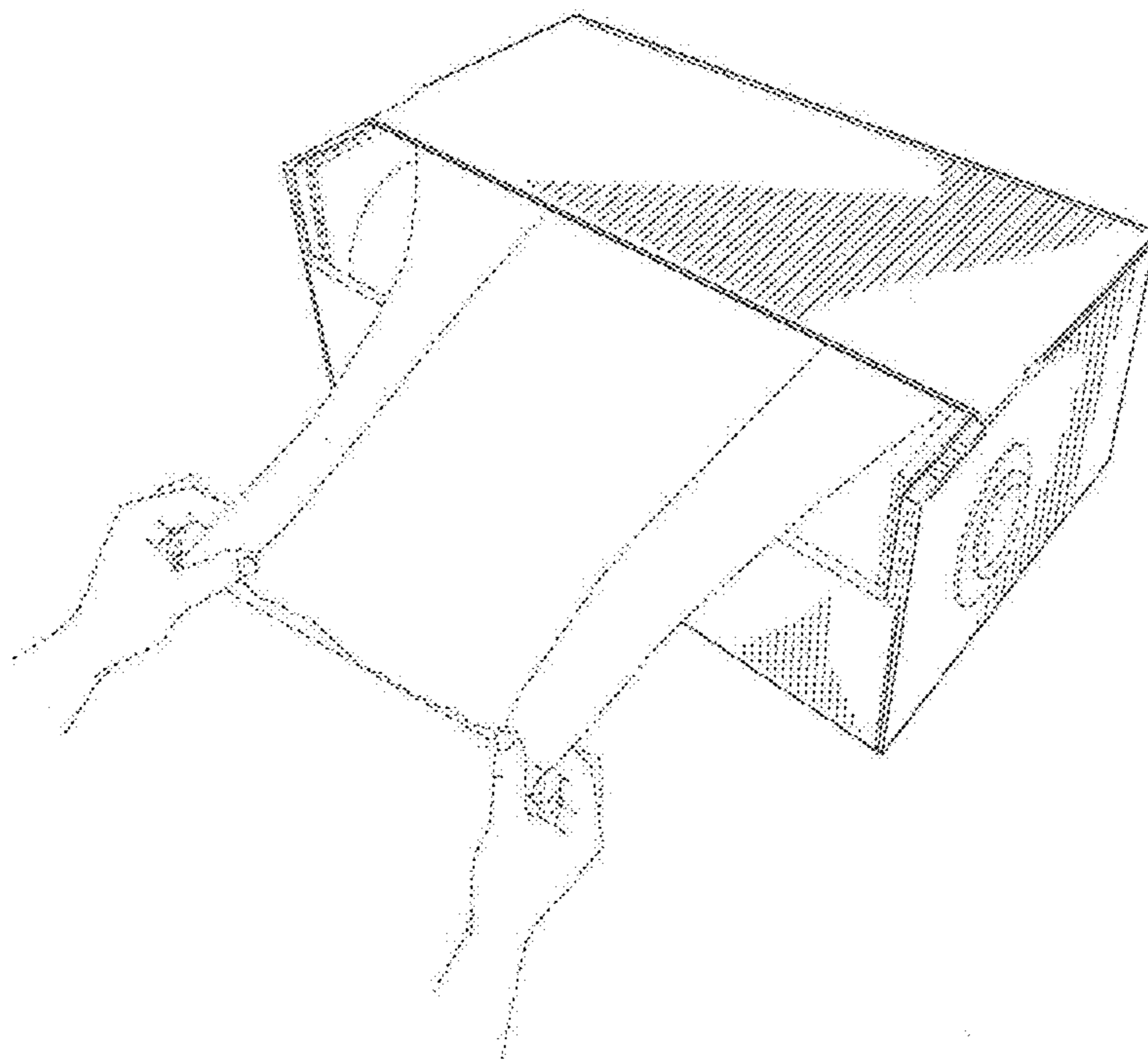
(57) **CLAIM**

The ornamental design for a dispensing apparatus for cushioning wrap material, as shown and described.

DESCRIPTION

FIG. 1 is a front perspective view of a dispensing apparatus for cushioning wrap material showing our new design; FIG. 2 is a front view thereof; FIG. 3 is a rear view thereof, opposite that shown in FIG. 2; FIG. 4 is a side view thereof; FIG. 5 is a side view thereof, opposite that shown in FIG. 4; FIG. 6 is a top plan view thereof; FIG. 7 is a front perspective view thereof with the cover in an open position; and, FIG. 8 is a front perspective view thereof, showing the cover in a closed position, with the broken line disclosure of cushioning wrap and hands being for illustrative purposes only and forming no part of the claimed design. The remaining broken line disclosure in the views represents portions of the apparatus which forms no part of the claimed design.

1 Claim, 6 Drawing Sheets



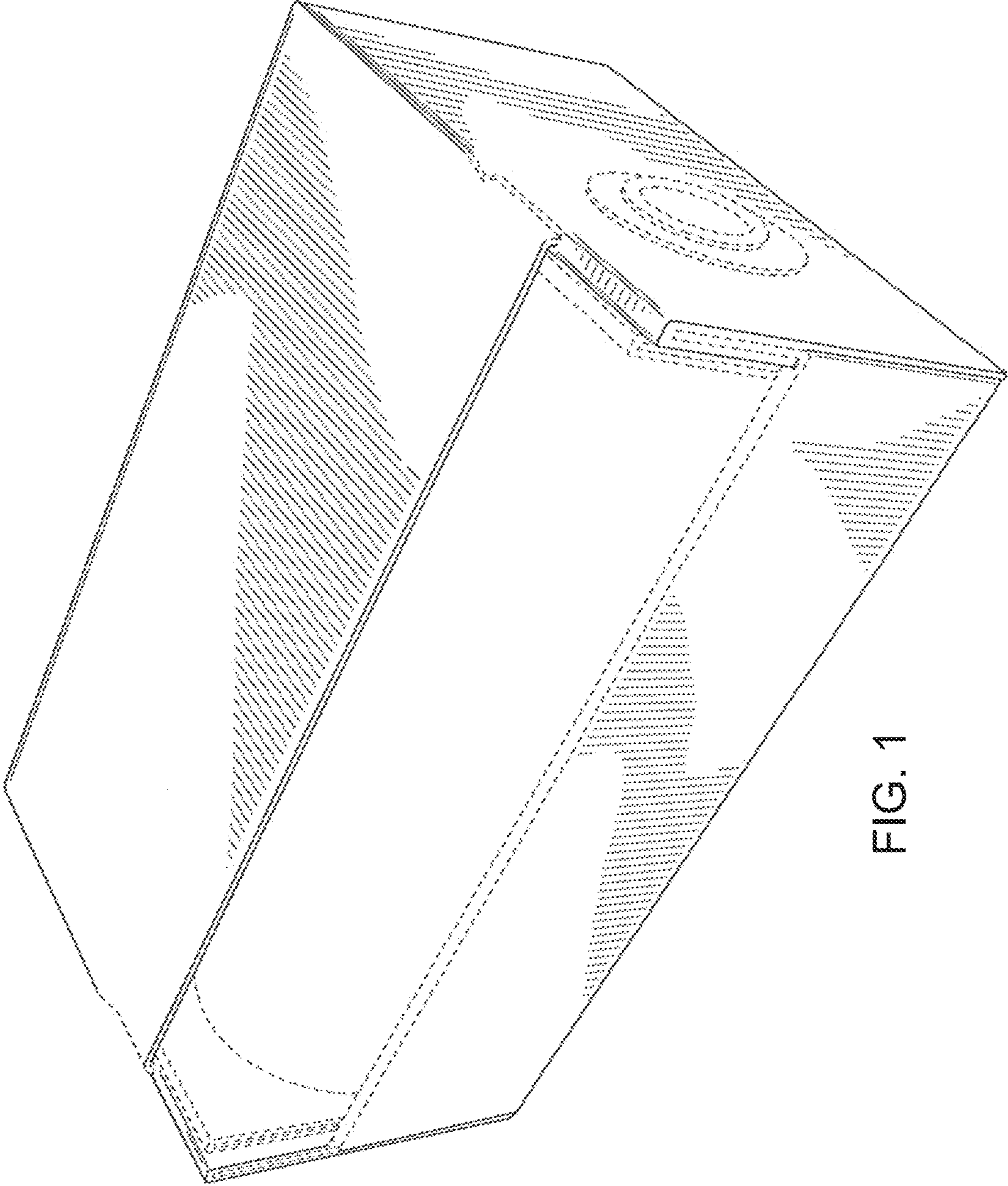


FIG. 1

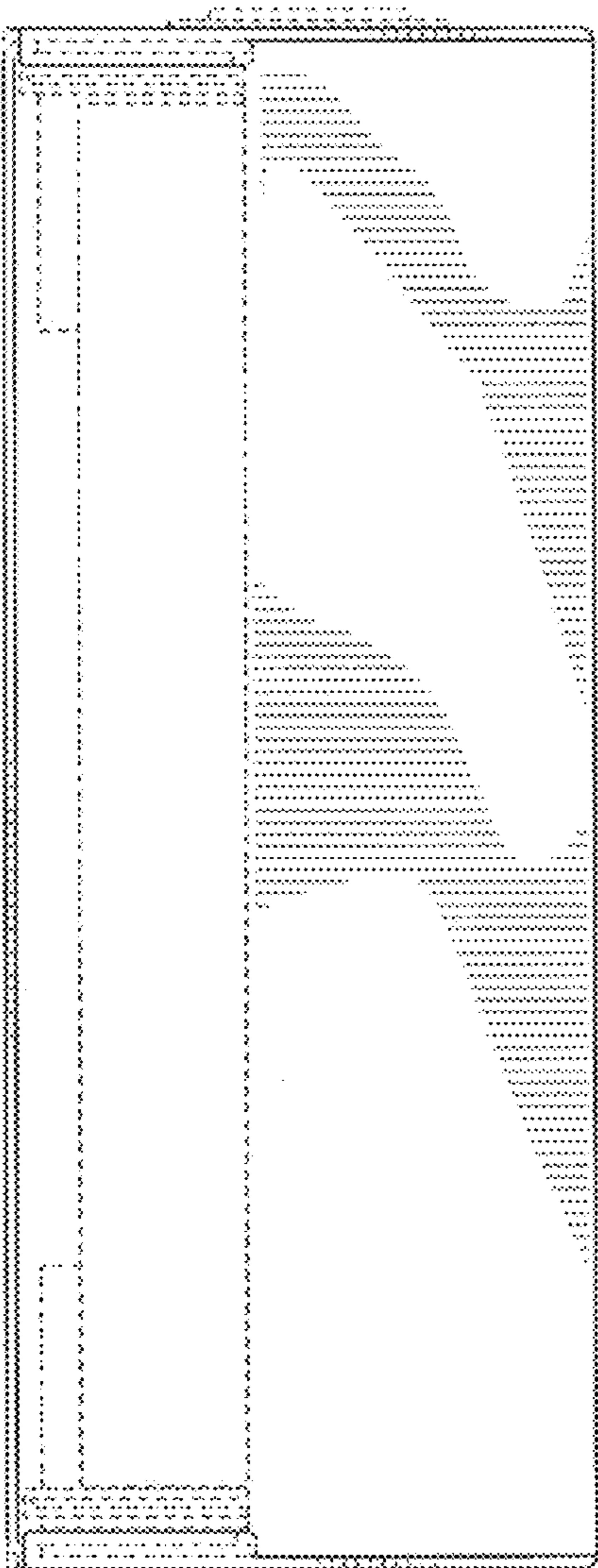


FIG. 2

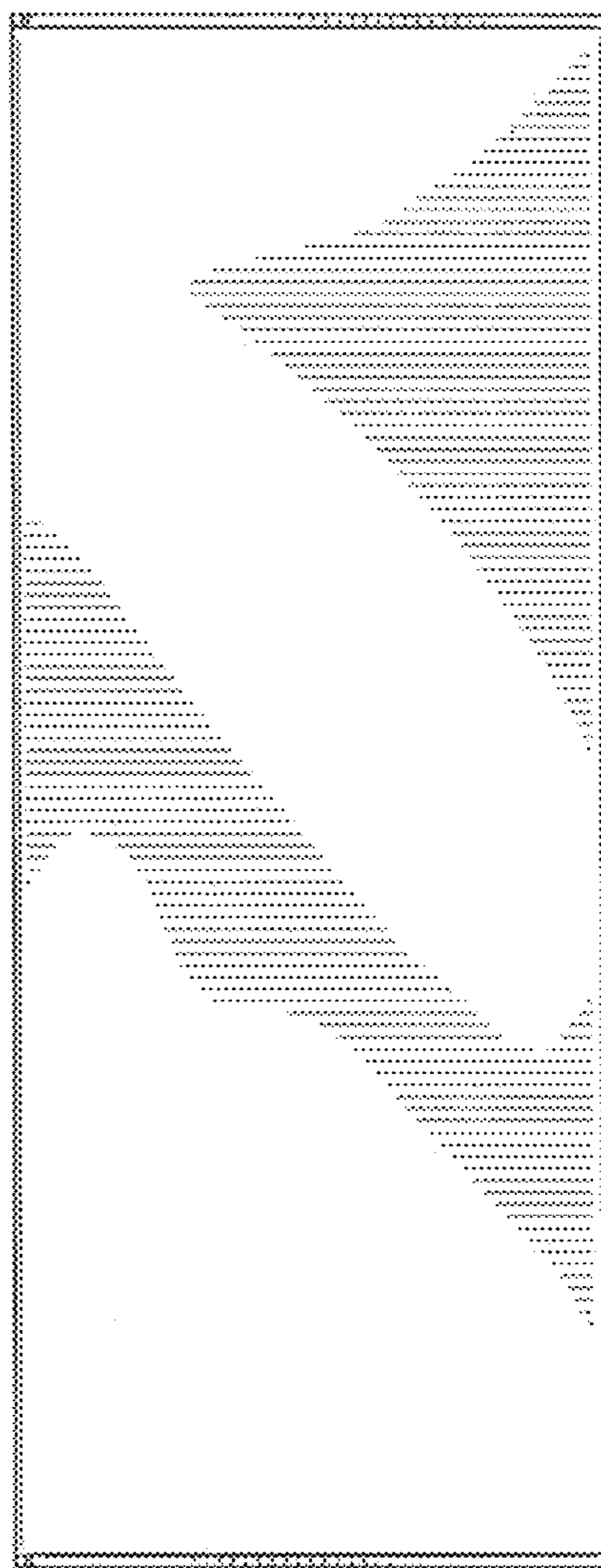


FIG. 3

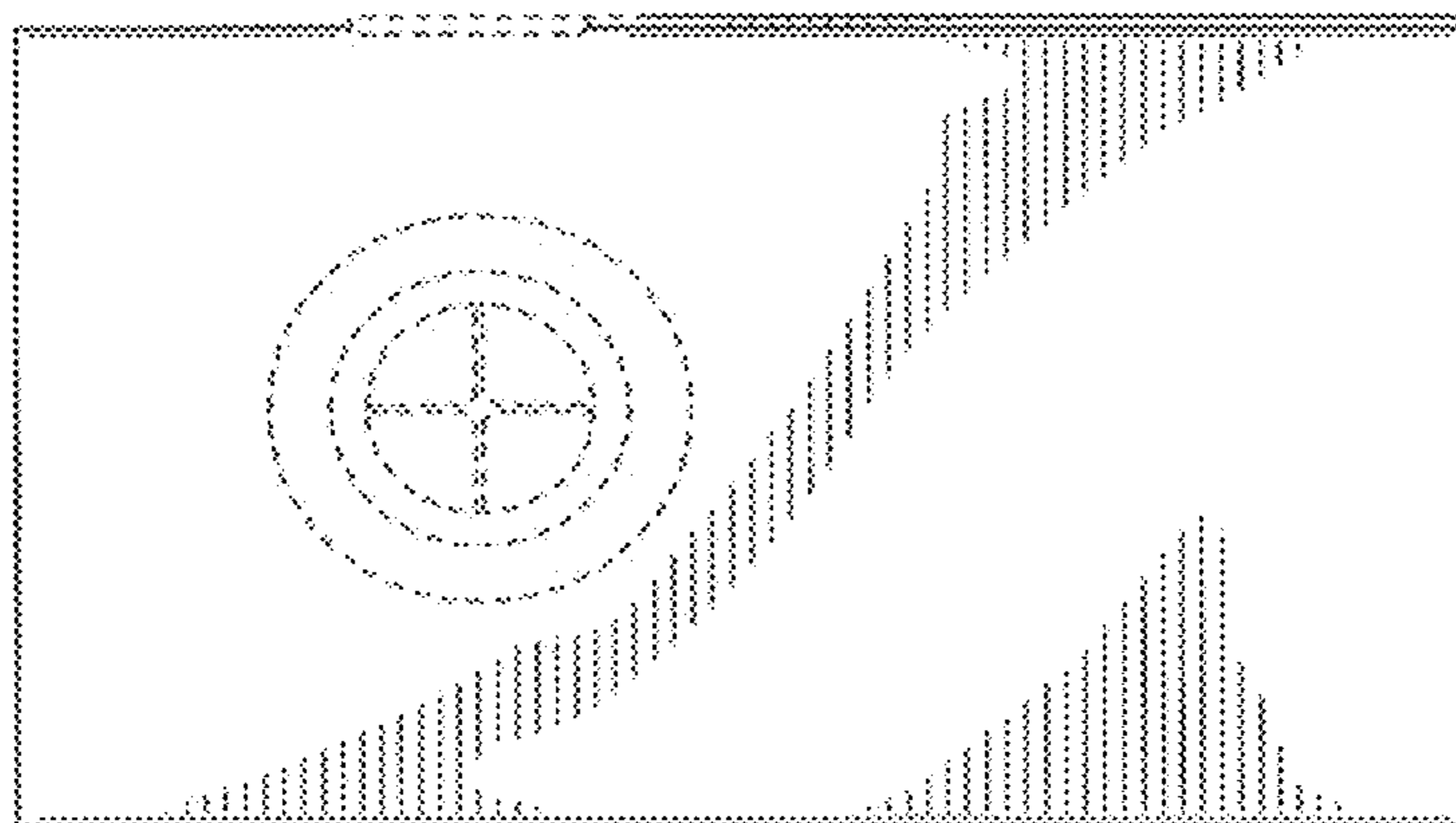


FIG. 4

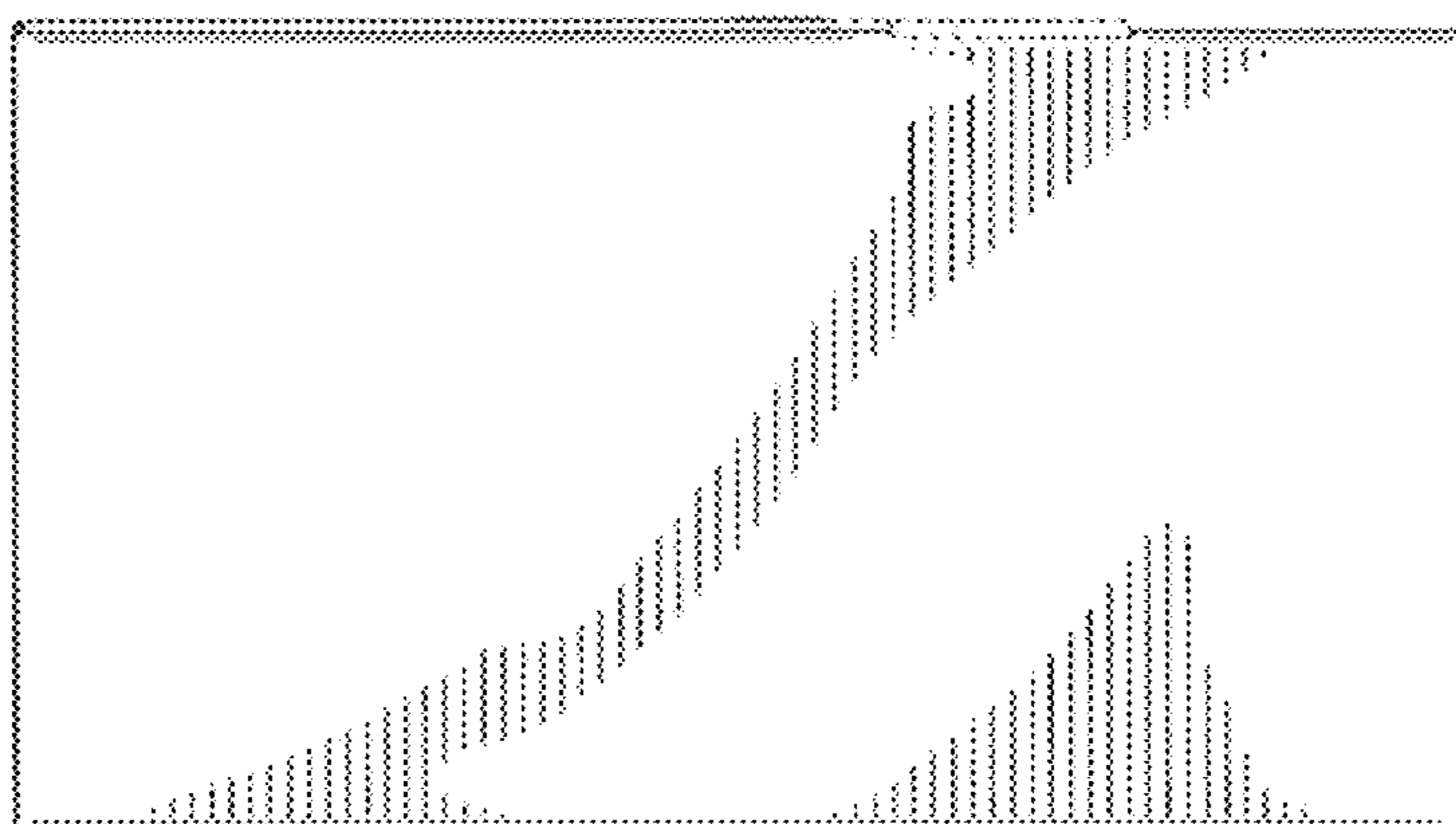


FIG. 5

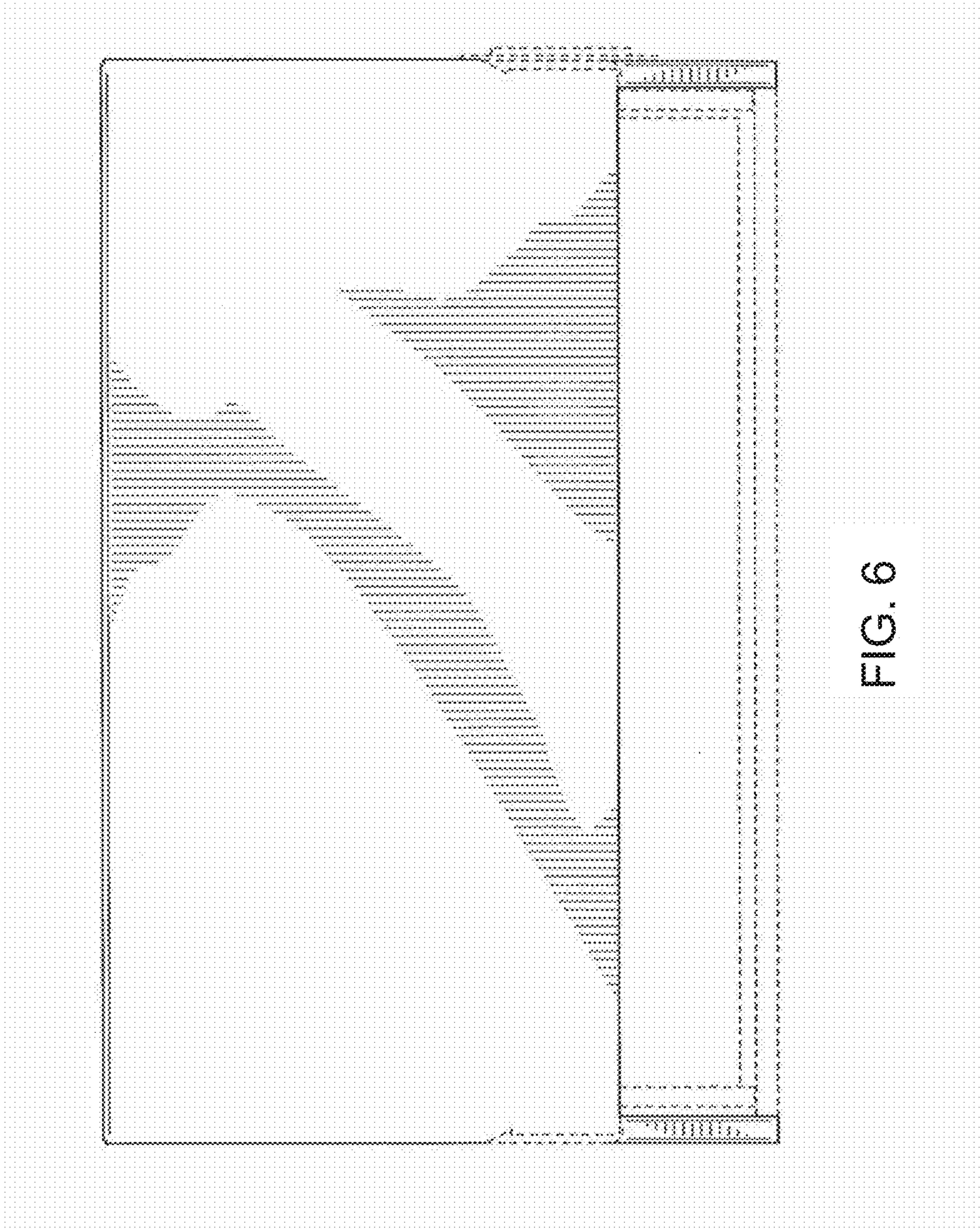


FIG. 6

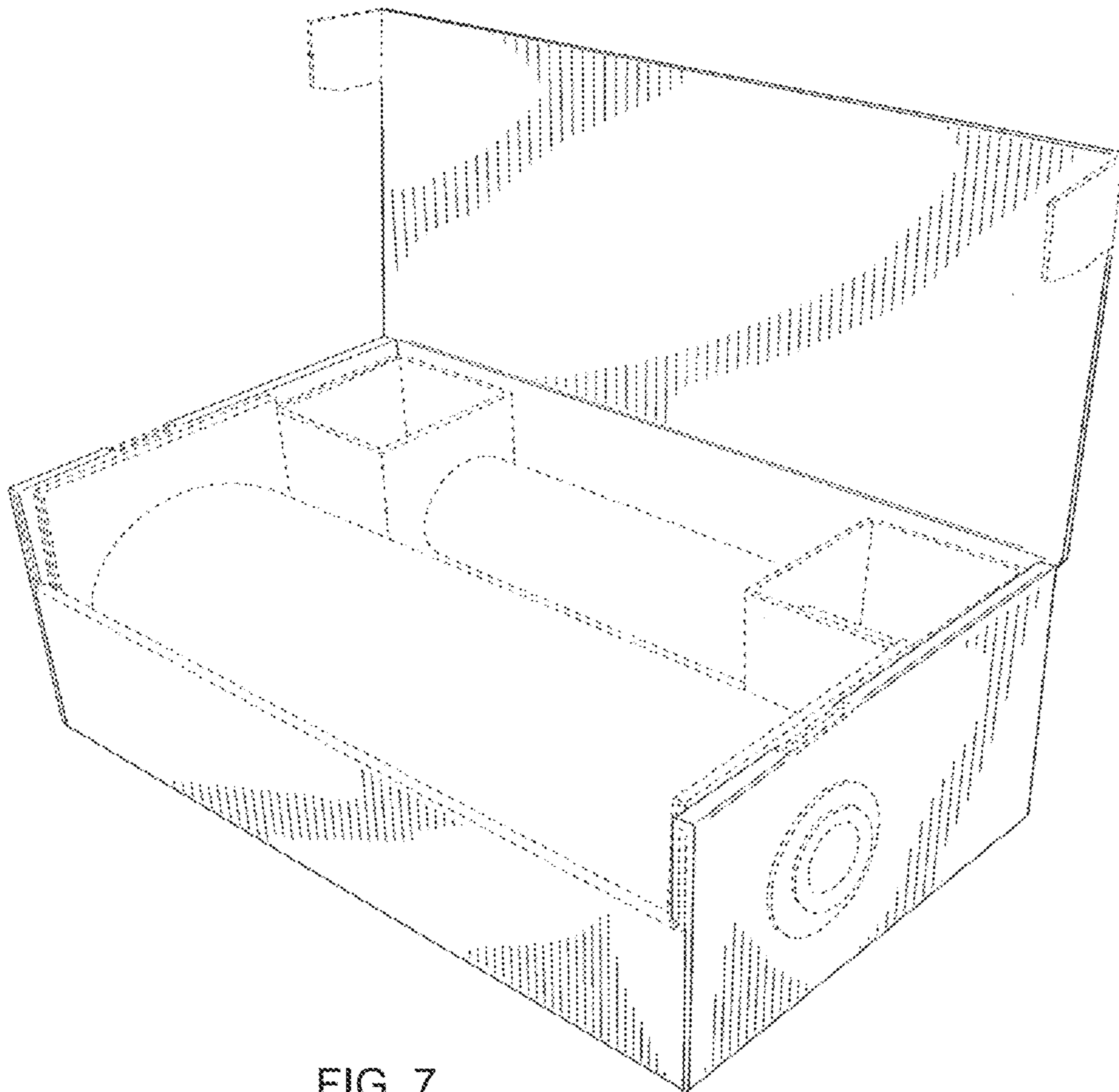


FIG. 7

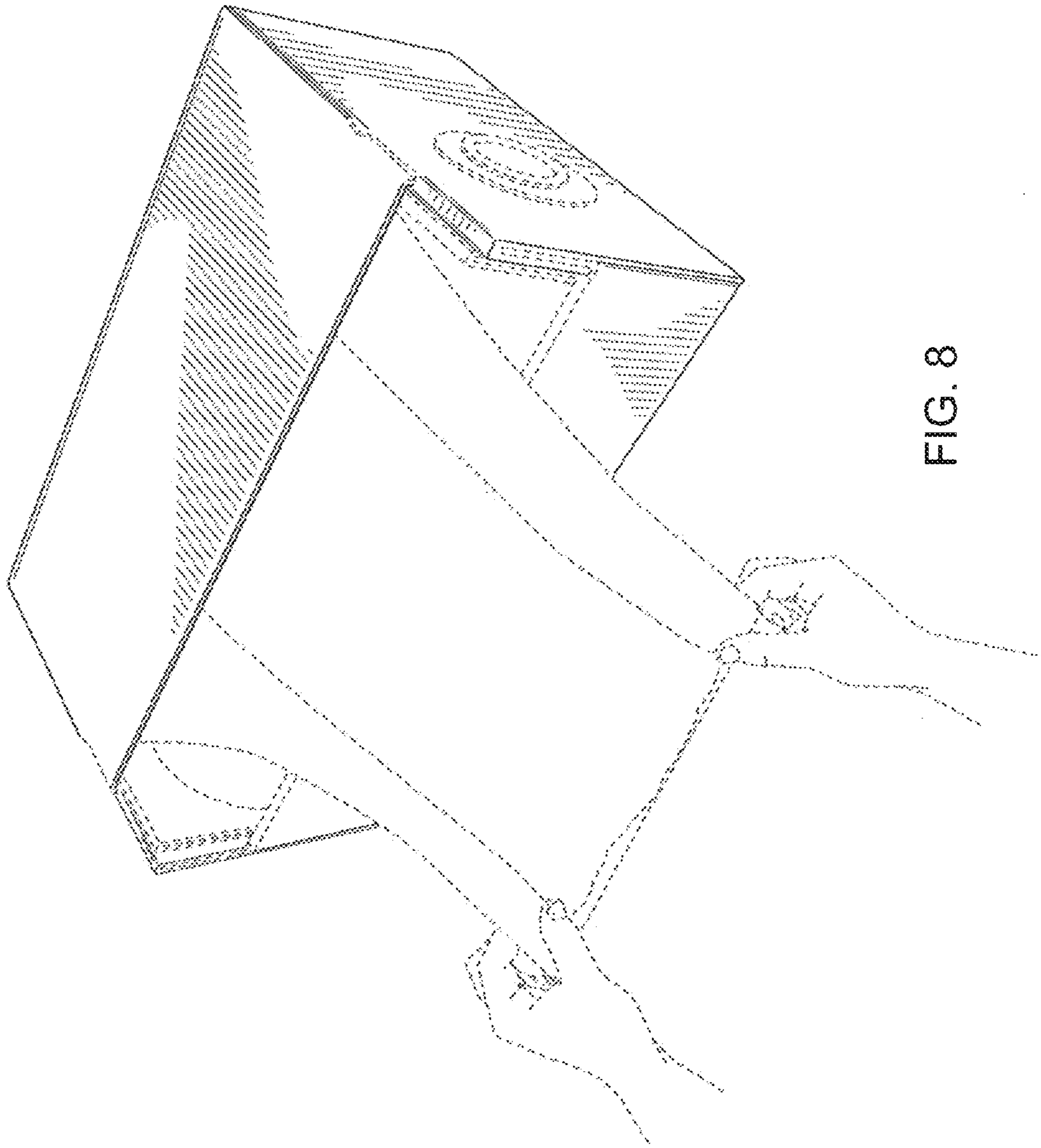


FIG. 8

UNITED STATES PATENT AND TRADEMARK OFFICE
CERTIFICATE OF CORRECTION

PATENT NO. : D749,871 S
APPLICATION NO. : 29/529494
DATED : February 23, 2016
INVENTOR(S) : Page et al.

Page 1 of 1

It is certified that error appears in the above-identified patent and that said Letters Patent is hereby corrected as shown below:

On the title page, in column 1, associated with Related U.S. Application Data Item (62), "Division of application No. 29/459,852, filed on Jul. 3, 2013, now Pat. No. Des. 735,488" should be changed to --Division of application No. 29/459,852, filed on Jul. 3, 2013, now Pat. No. Des. 735,488, claiming benefit of Provisional application No. 61/675,059, filed on Jul. 24, 2012.--

Signed and Sealed this
Third Day of May, 2016



Michelle K. Lee
Director of the United States Patent and Trademark Office