



US00D749870S

(12) **United States Design Patent**  
**Eilmus et al.**

(10) **Patent No.:** **US D749,870 S**

(45) **Date of Patent:** **\*\* Feb. 23, 2016**

(54) **SPONGE CADDY**

(56) **References Cited**

(71) Applicant: **Kohler Co.**, Kohler, WI (US)

U.S. PATENT DOCUMENTS

(72) Inventors: **Niels J. Eilmus**, Sheboygan, WI (US);  
**Shawn J. Booth**, Sheboygan, WI (US);  
**James S. Giefer**, Sheboygan, WI (US)

D340,622	S	*	10/1993	Park	.....	D6/513
D365,233	S		12/1995	Huculak		
D365,533	S	*	12/1995	Burgener	.....	D11/3
D386,337	S	*	11/1997	Zissu	.....	D6/512
D494,050	S	*	8/2004	Klein	.....	D6/513
D651,030	S	*	12/2011	Heroux	.....	D6/513

(73) Assignee: **KOHLER CO.**, Kohler, WI (US)

\* cited by examiner

(\*\*) Term: **15 Years**

*Primary Examiner* — Brian N Vinson

(21) Appl. No.: **29/534,222**

(74) *Attorney, Agent, or Firm* — Foley & Lardner LLP

(22) Filed: **Jul. 27, 2015**

(57) **CLAIM**

We claim the ornamental design for a sponge caddy, as shown and described.

**Related U.S. Application Data**

**DESCRIPTION**

(62) Division of application No. 29/441,396, filed on Jan. 4, 2013, now Pat. No. Des. 737,595.

FIG. 1 is a perspective view of a sponge caddy showing our new design.

(51) **LOC (10) Cl.** ..... **06-06**

FIG. 2 is a front view of the claimed design of FIG. 1;

(52) **U.S. Cl.**

FIG. 3 is a rear view of the claimed design of FIG. 1;

USPC ..... **D6/514**

FIG. 4 is a right-side view of the claimed design of FIG. 1;

(58) **Field of Classification Search**

USPC ..... D6/512–514, 315, 323, 549, 545, 552,  
D6/553, 567; D8/373, 379

FIG. 5 is a left-side view of the claimed design of FIG. 1;

CPC ..... A47F 5/00; A47F 7/00; A47F 5/08;  
A47F 3/00; A47F 3/14; A47F 5/0006; A47G  
1/00; A47K 10/10

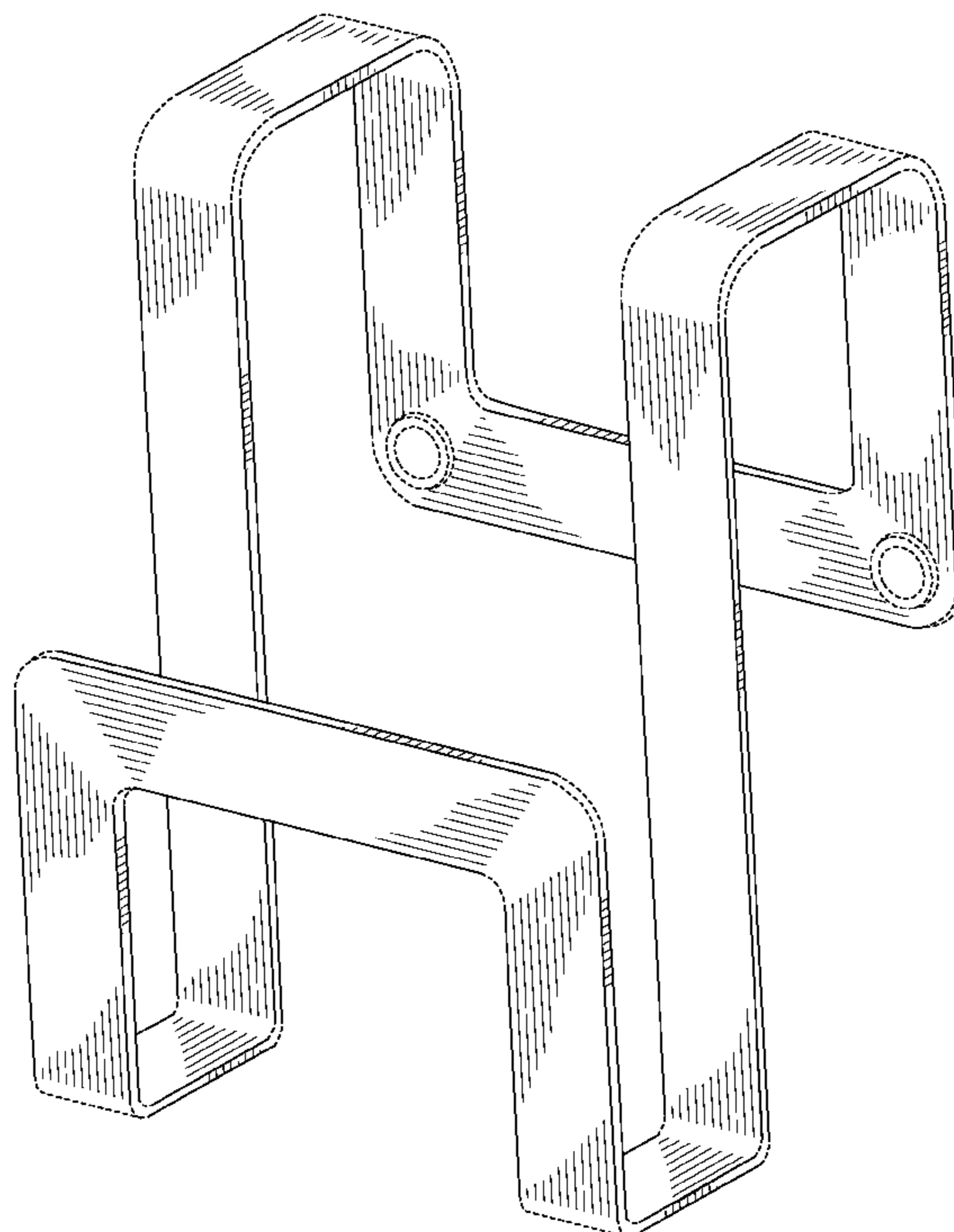
FIG. 6 is a top view of the claimed design of FIG. 1; and,

FIG. 7 is a bottom view of the claimed design of FIG. 1.

The claimed design is shown in solid lines. The broken lines in the drawings represent portions of the caddy which form no part of the claimed design.

See application file for complete search history.

**1 Claim, 6 Drawing Sheets**



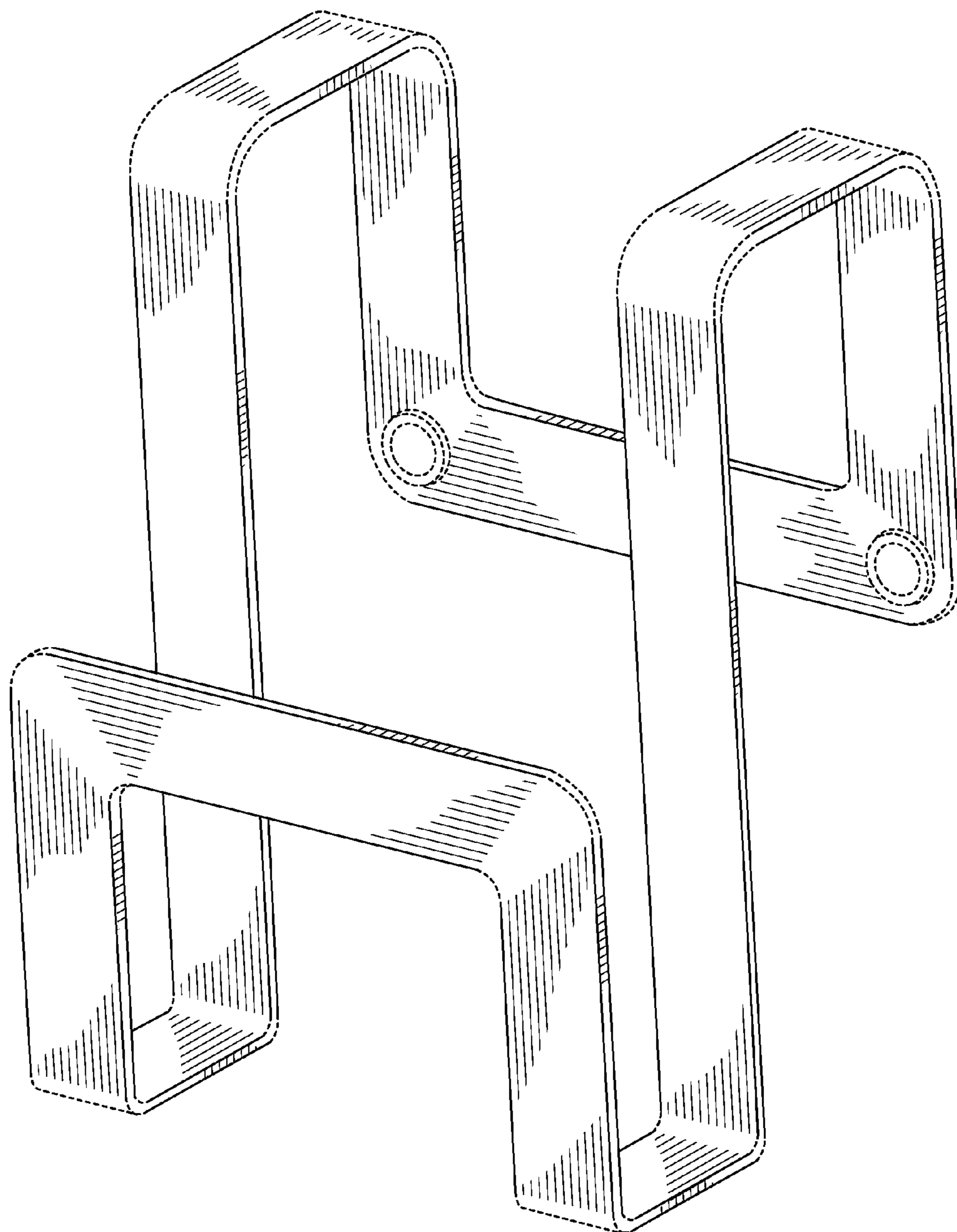


FIG. 1

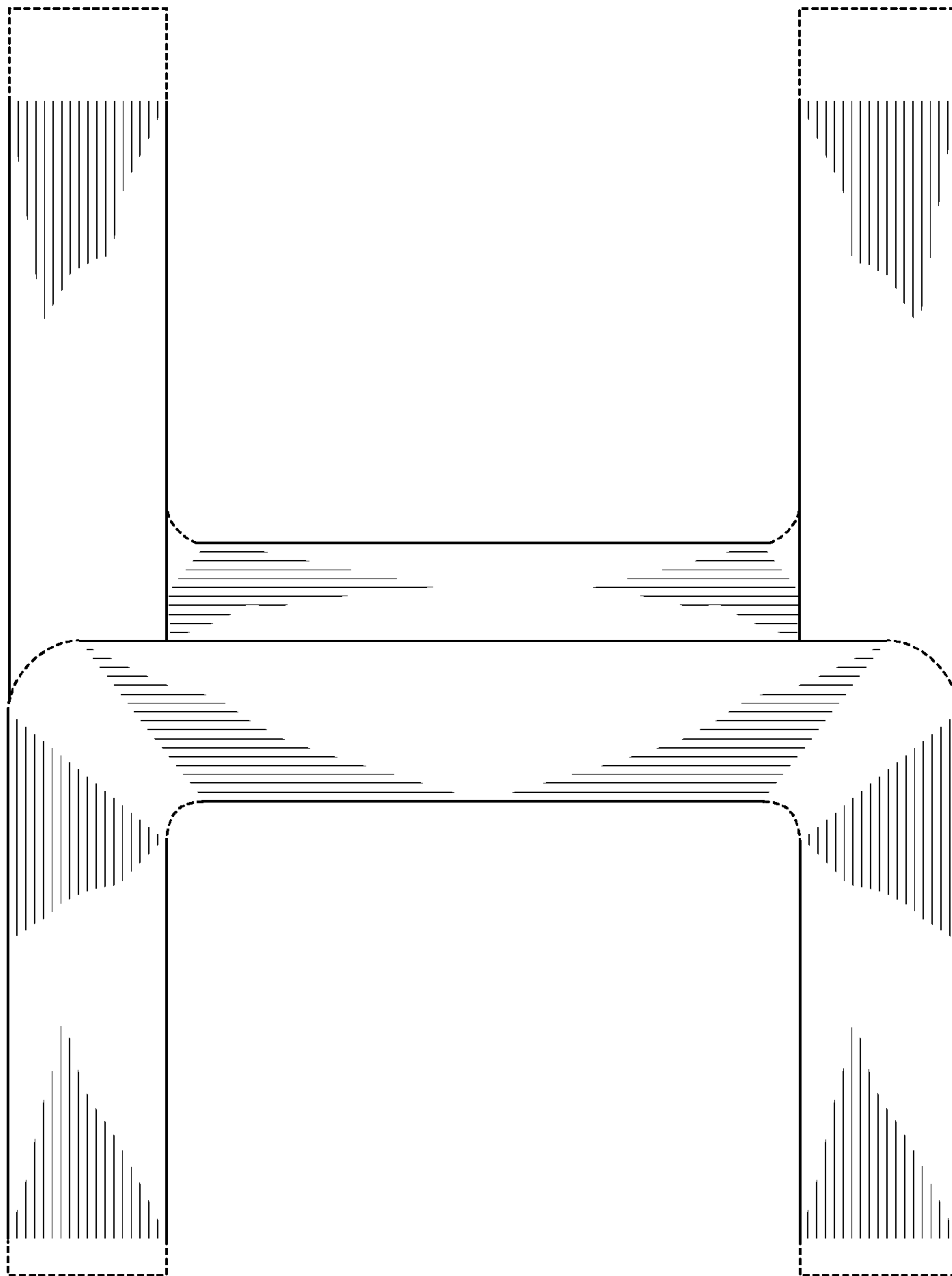


FIG. 2

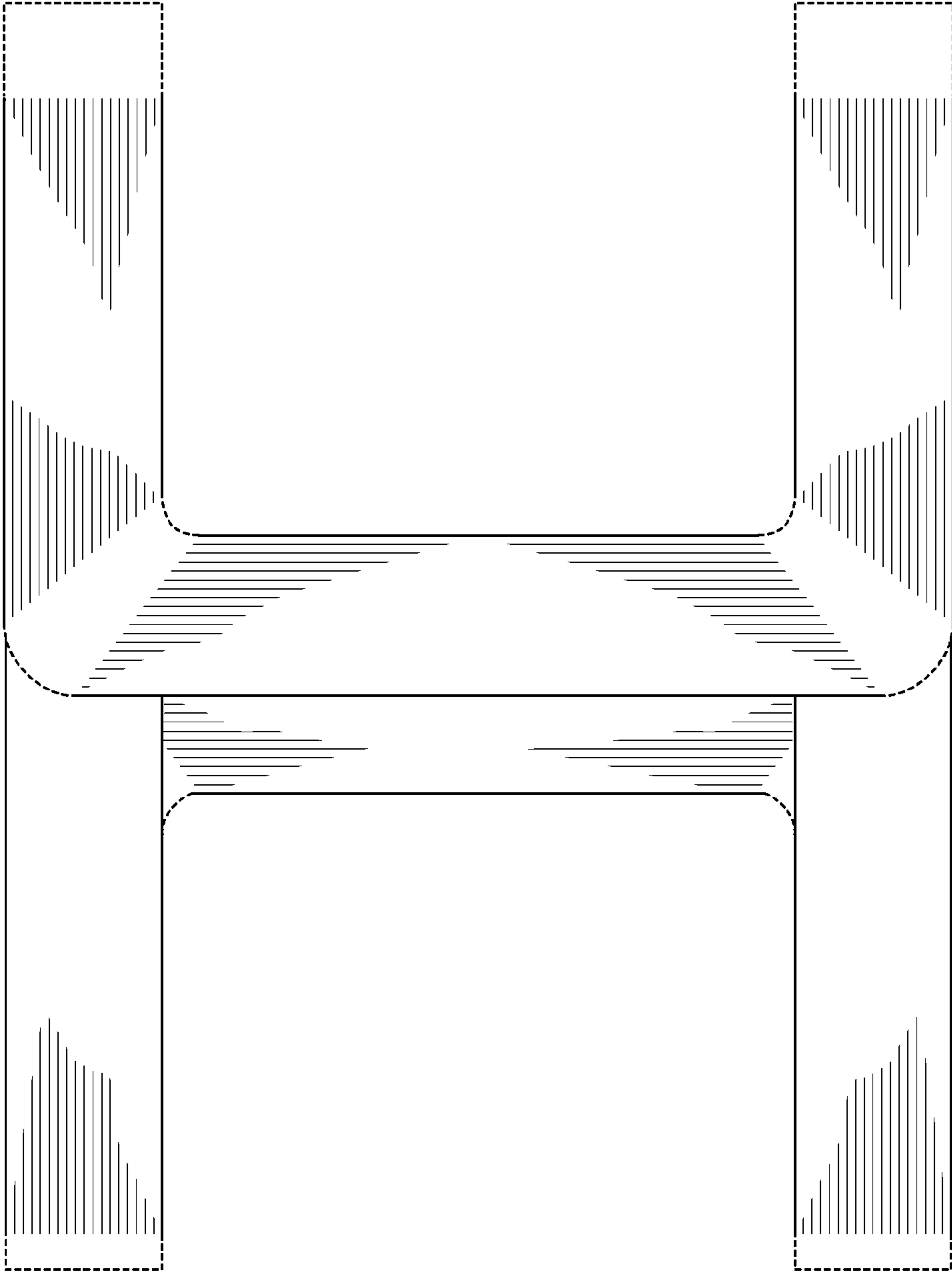


FIG. 3

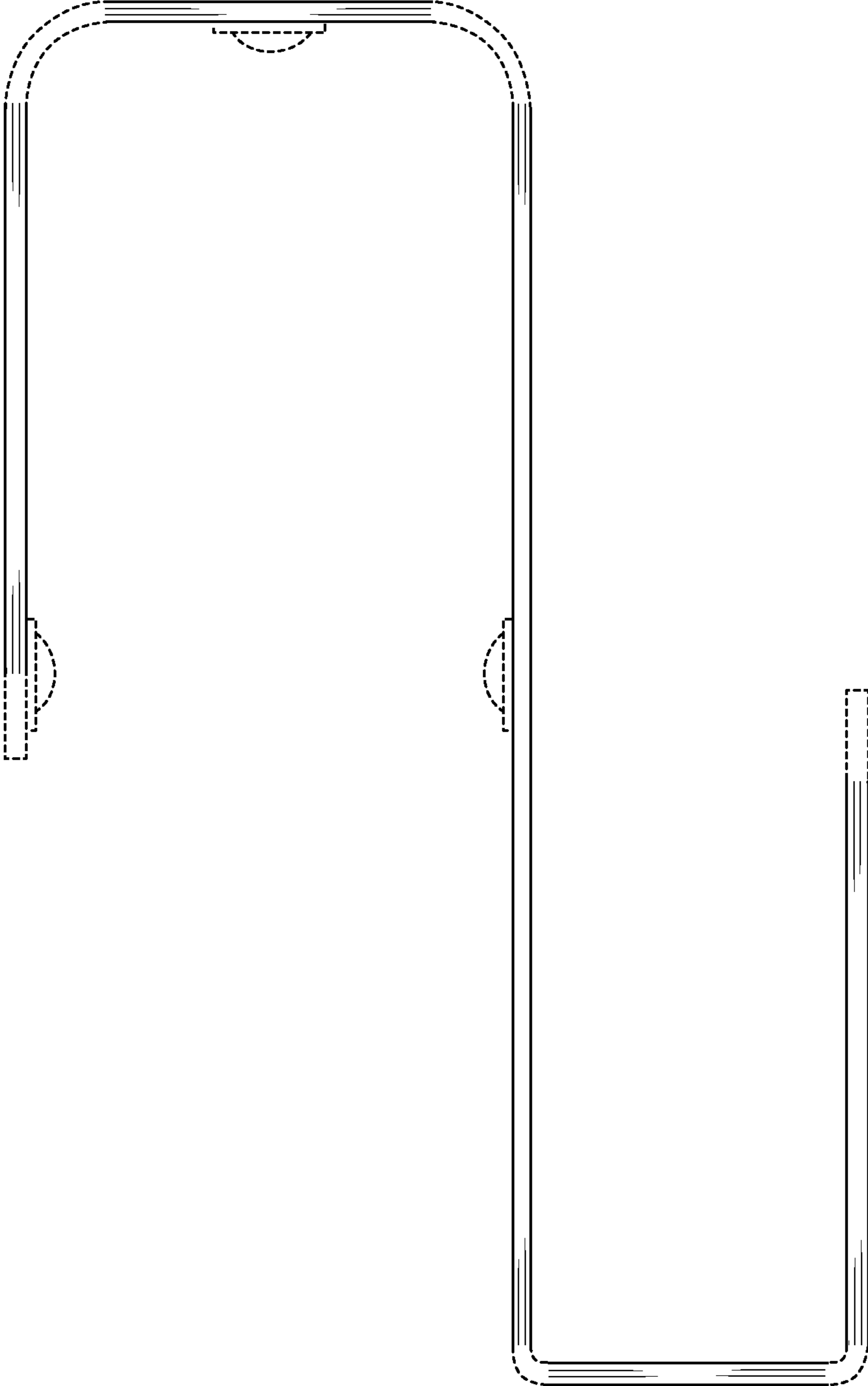


FIG. 4

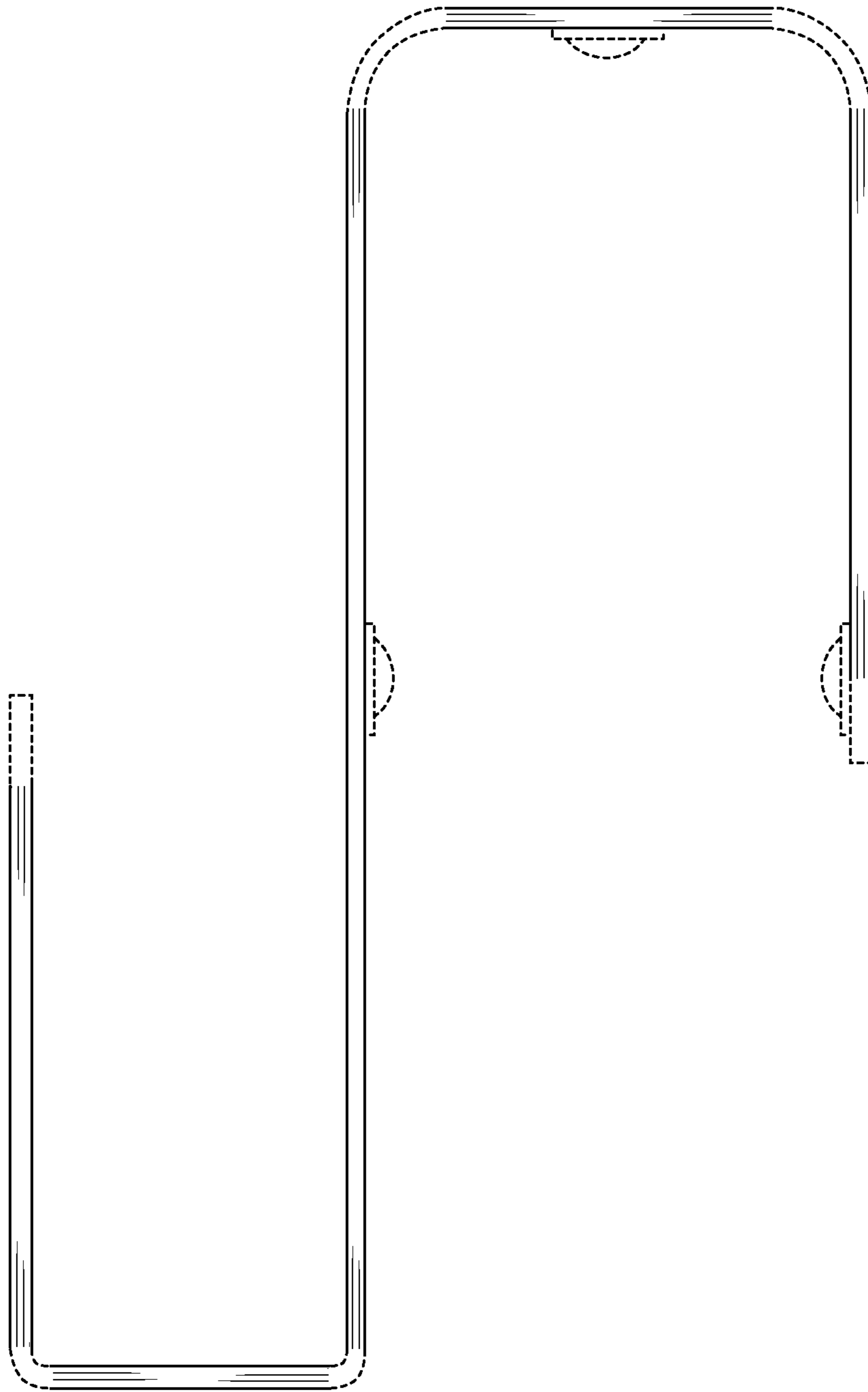


FIG. 5

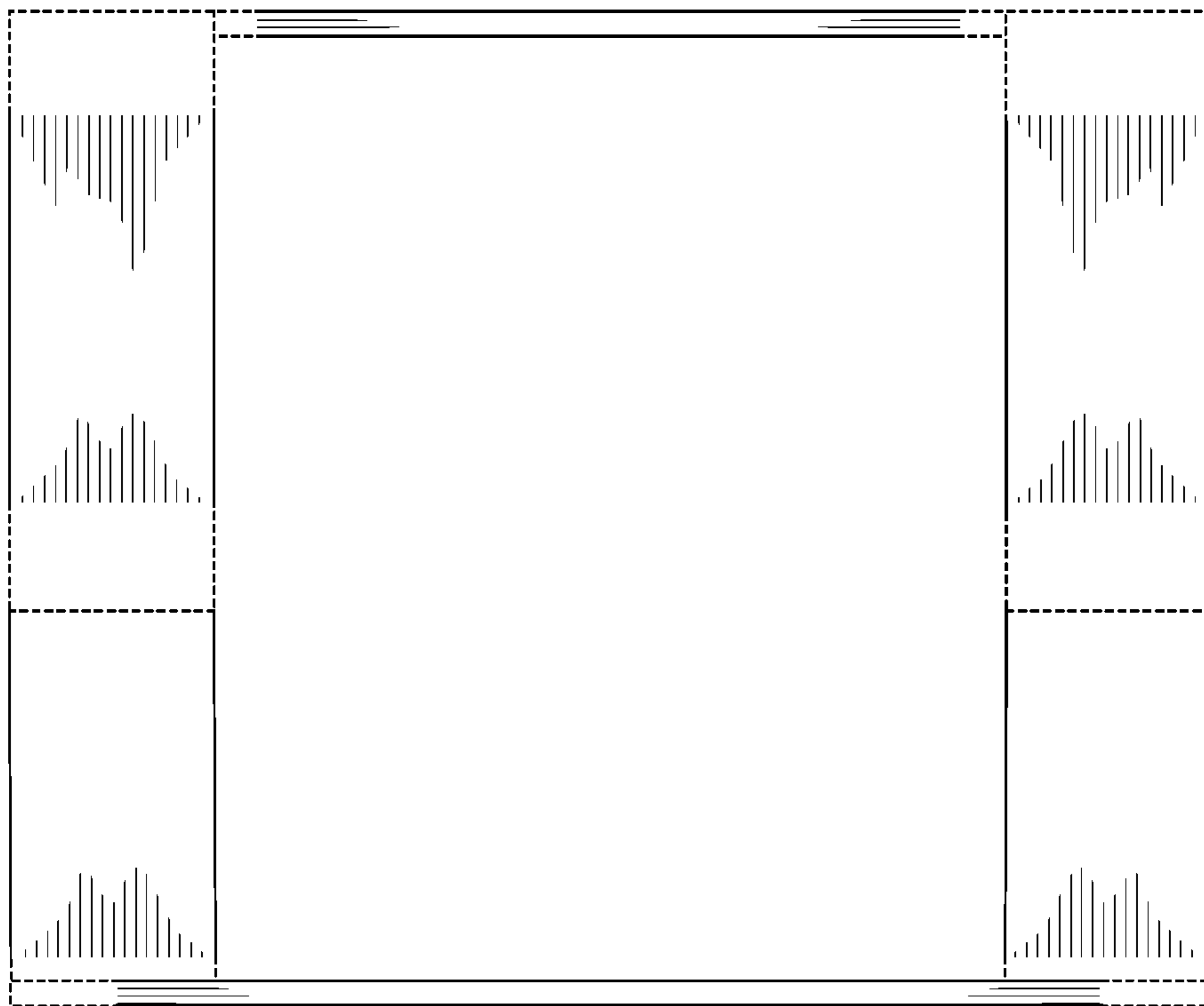


FIG. 6

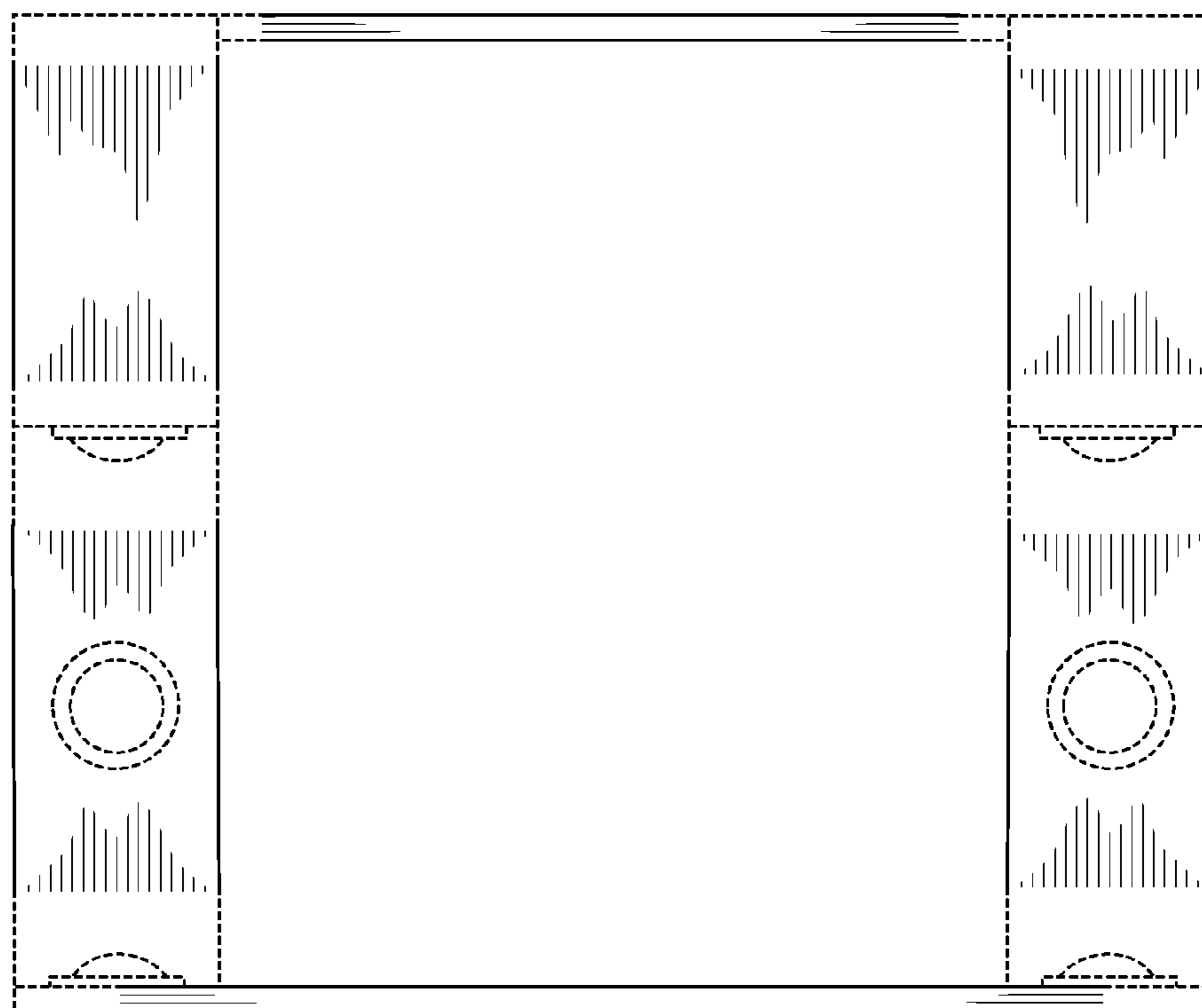


FIG. 7