



US00D749869S

(12) **United States Design Patent**  
**Wenji et al.**

(10) **Patent No.:** **US D749,869 S**  
(45) **Date of Patent:** **\*\* Feb. 23, 2016**

(54) **ARMREST MOUNTED TURNTABLE**

(71) Applicant: **eMoMo Technology Co., Ltd.**, Baoan,  
Shenzhen (CN)

(72) Inventors: **Tang Wenji**, Shenzhen (CN); **Zhao Yushu**, Shenzhen (CN); **Song Jin**, Shenzhen (CN)

(73) Assignee: **eMoMo Technology Co., Ltd.**, Shenzhen (CN)

(\*\*) Term: **14 Years**

(21) Appl. No.: **29/449,043**

(22) Filed: **Mar. 14, 2013**

(30) **Foreign Application Priority Data**

Dec. 21, 2012 (CN) ..... 2012 3 0648049

(51) **LOC (10) Cl.** ..... **06-06**

(52) **U.S. Cl.**  
USPC ..... **D6/406.2**

(58) **Field of Classification Search**  
USPC ..... D6/512-514, 553, 685-686, 691, 704,  
D6/707.19, 716.12; D12/400, 415-416;  
D7/545, 550.1, 554.3, 554.4, 698  
CPC ..... A47G 23/06; A47G 23/08; A47G 29/093  
See application file for complete search history.

(56) **References Cited**

**U.S. PATENT DOCUMENTS**

3,026,159 A \* 3/1962 Miller et al. .... 108/1  
D273,070 S \* 3/1984 Welsch et al. .... D6/707.19

D323,560 S \* 1/1992 Boyce et al. .... D24/184  
D346,516 S \* 5/1994 D'Anna et al. .... D6/513  
D356,532 S \* 3/1995 Butzman ..... D12/133  
5,845,964 A \* 12/1998 Phoon ..... 297/162  
D438,408 S \* 3/2001 Hannappel ..... D6/707.19  
6,375,257 B1 \* 4/2002 Wooding et al. .... 297/162  
D626,239 S \* 10/2010 Lia et al. .... D24/185  
D628,405 S \* 12/2010 Pippin ..... D6/555  
8,979,190 B2 \* 3/2015 Madrigal et al. .... 297/162  
D731,219 S \* 6/2015 Spoelhof et al. .... D6/707.19

\* cited by examiner

*Primary Examiner* — Kelley Donnelly

(74) *Attorney, Agent, or Firm* — Bass, Berry & Sims PLC

(57) **CLAIM**

The ornamental design for an armrest mounted turntable, as shown and described.

**DESCRIPTION**

FIG. 1 is a top perspective view of an armrest mounted turntable showing our new design;  
FIG. 2 is a bottom perspective view thereof;  
FIG. 3 is a right side view thereof;  
FIG. 4 is a top plan view thereof;  
FIG. 5 is a bottom plan view thereof;  
FIG. 6 is a rear view thereof;  
FIG. 7 is a left side view thereof;  
FIG. 8 is a front view thereof; and,  
FIG. 9 is a rear view thereof in a tilted configuration.  
The broken lines shown in the drawings are included for the purpose of illustrating environmental structure and form no part of the claimed design.

**1 Claim, 5 Drawing Sheets**

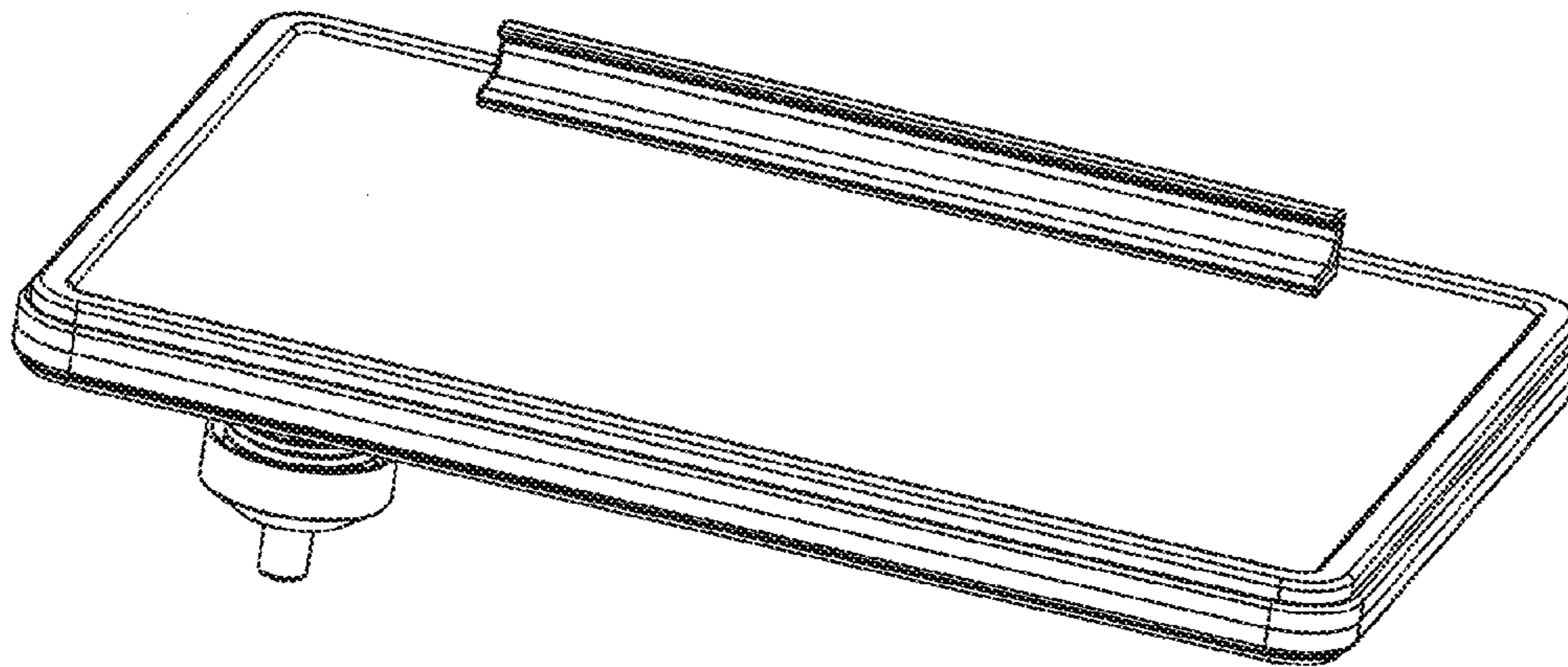


FIG. 1

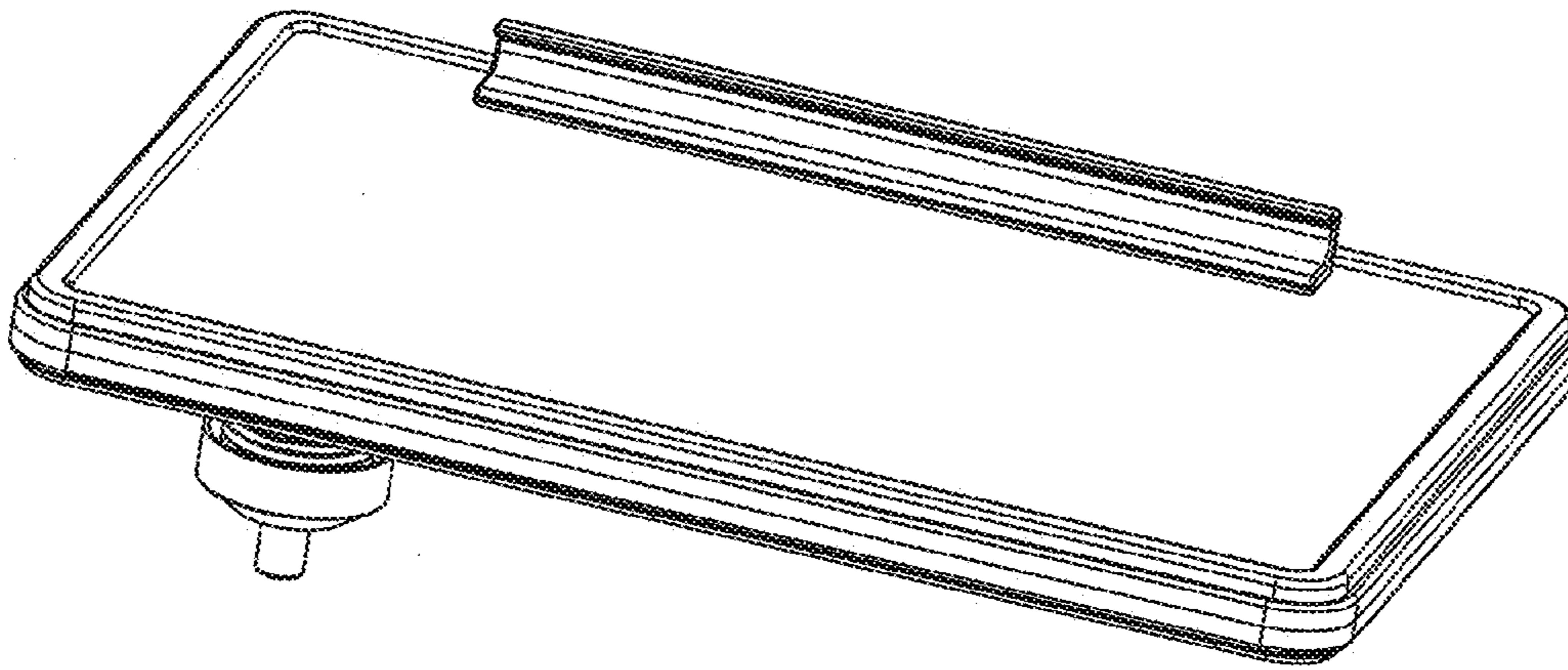


FIG. 2

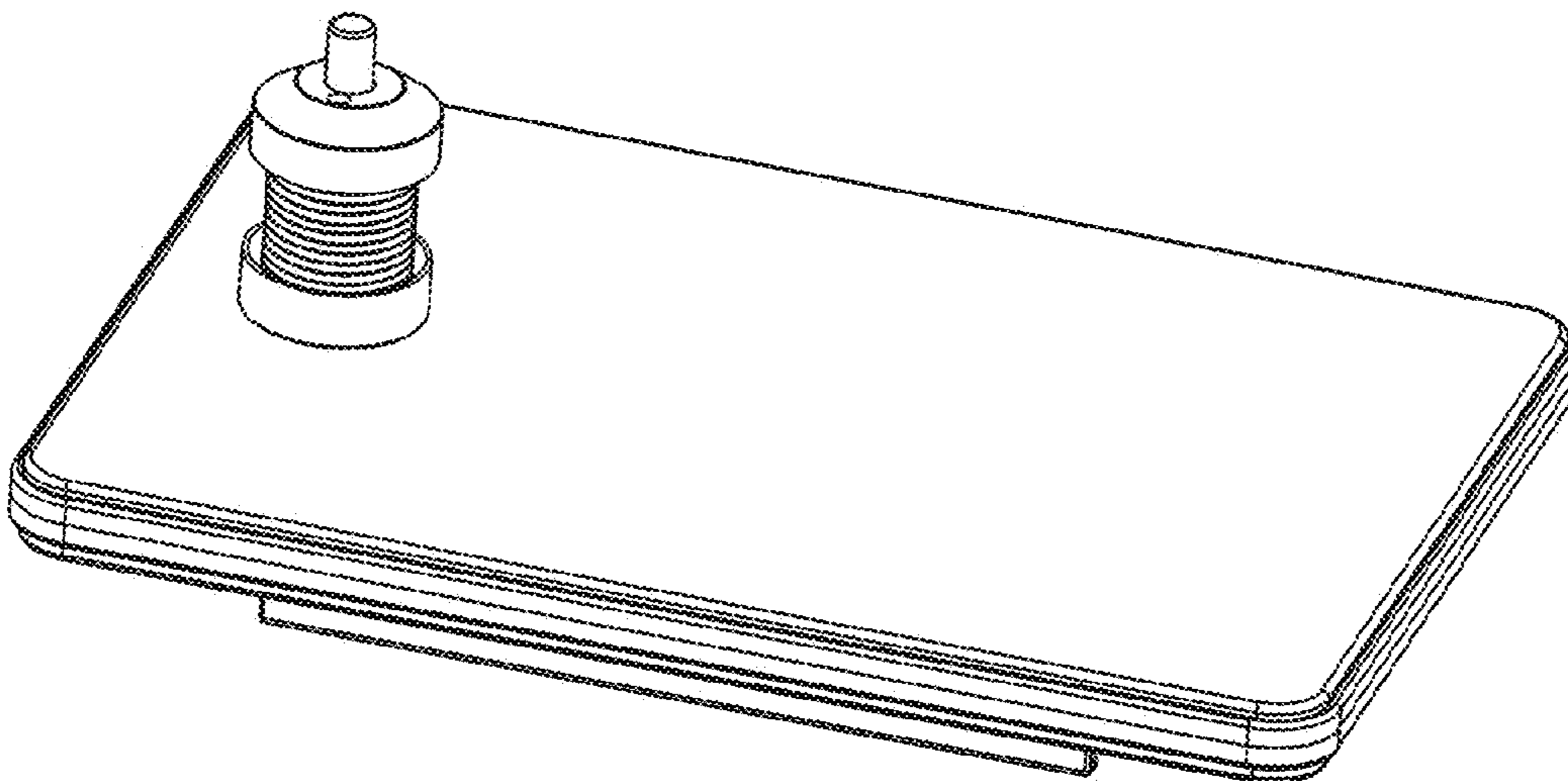


FIG. 3

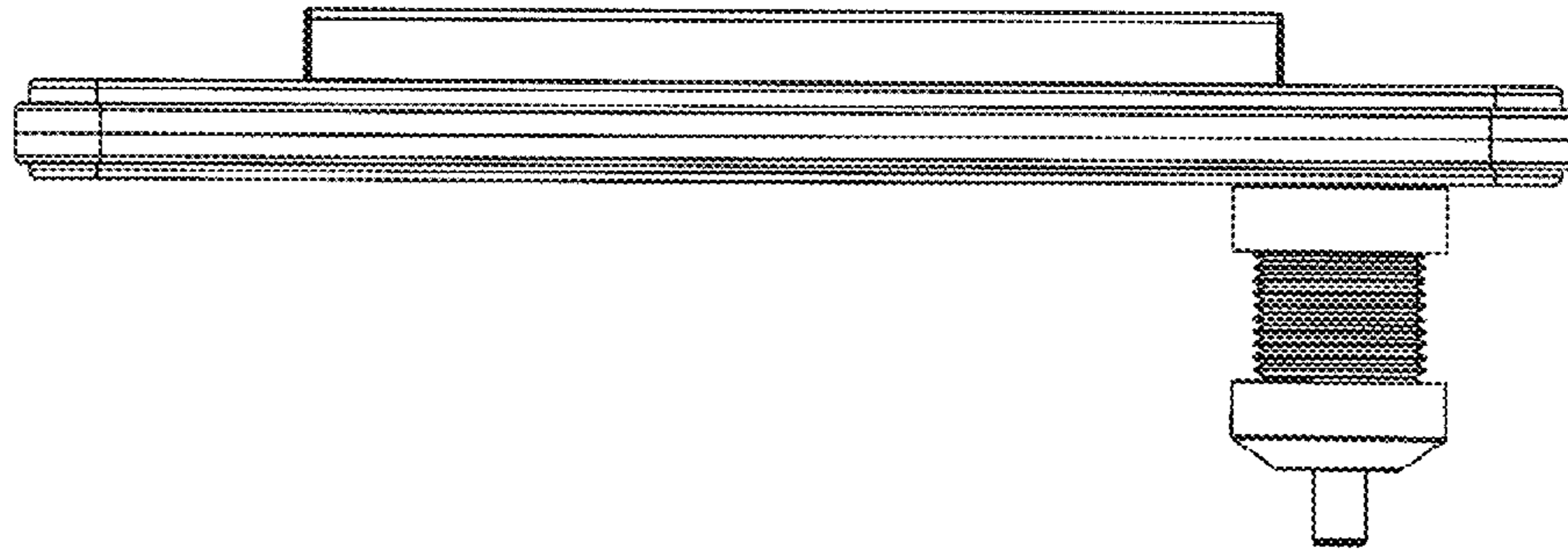


FIG. 4

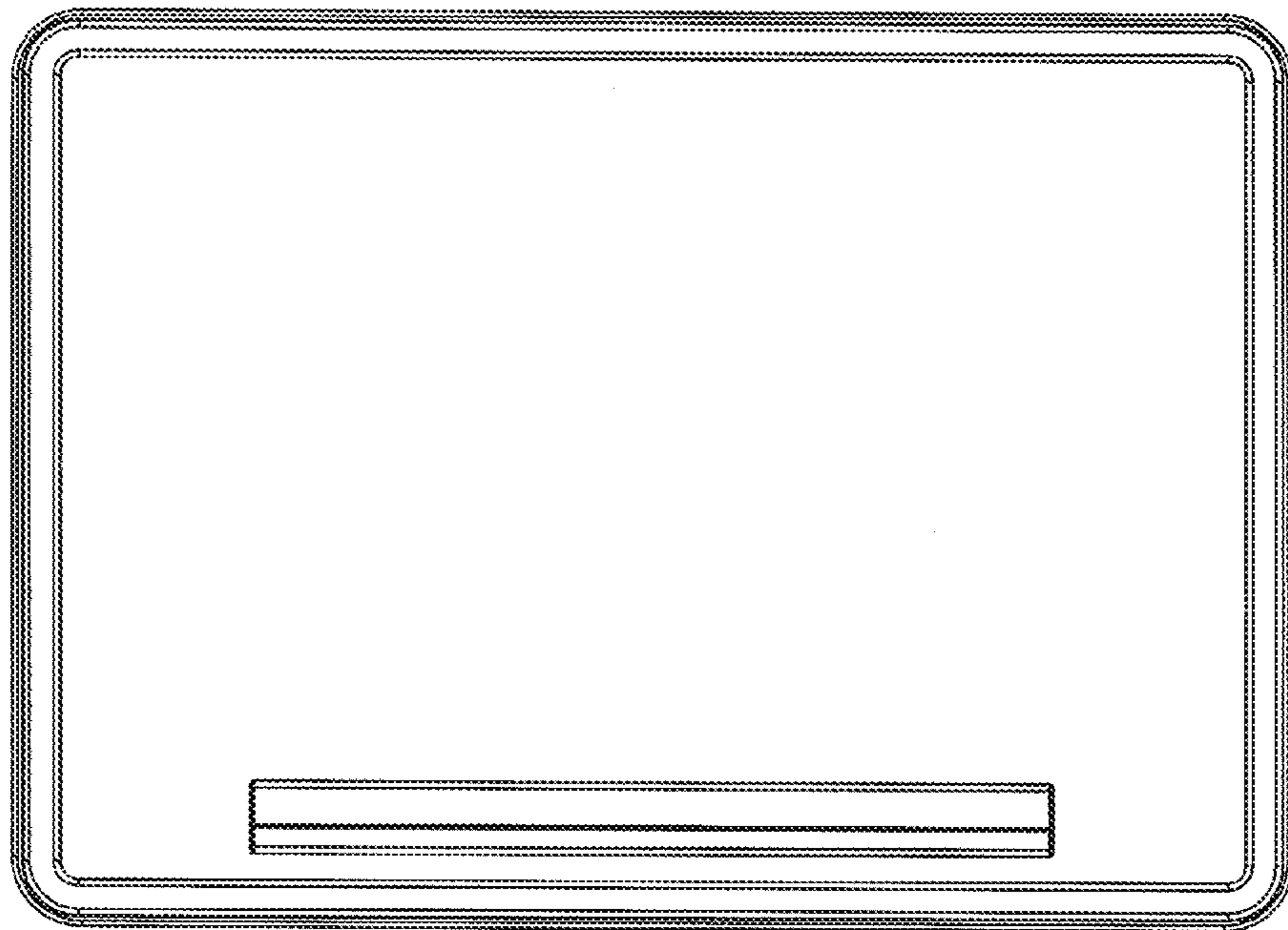


FIG. 5

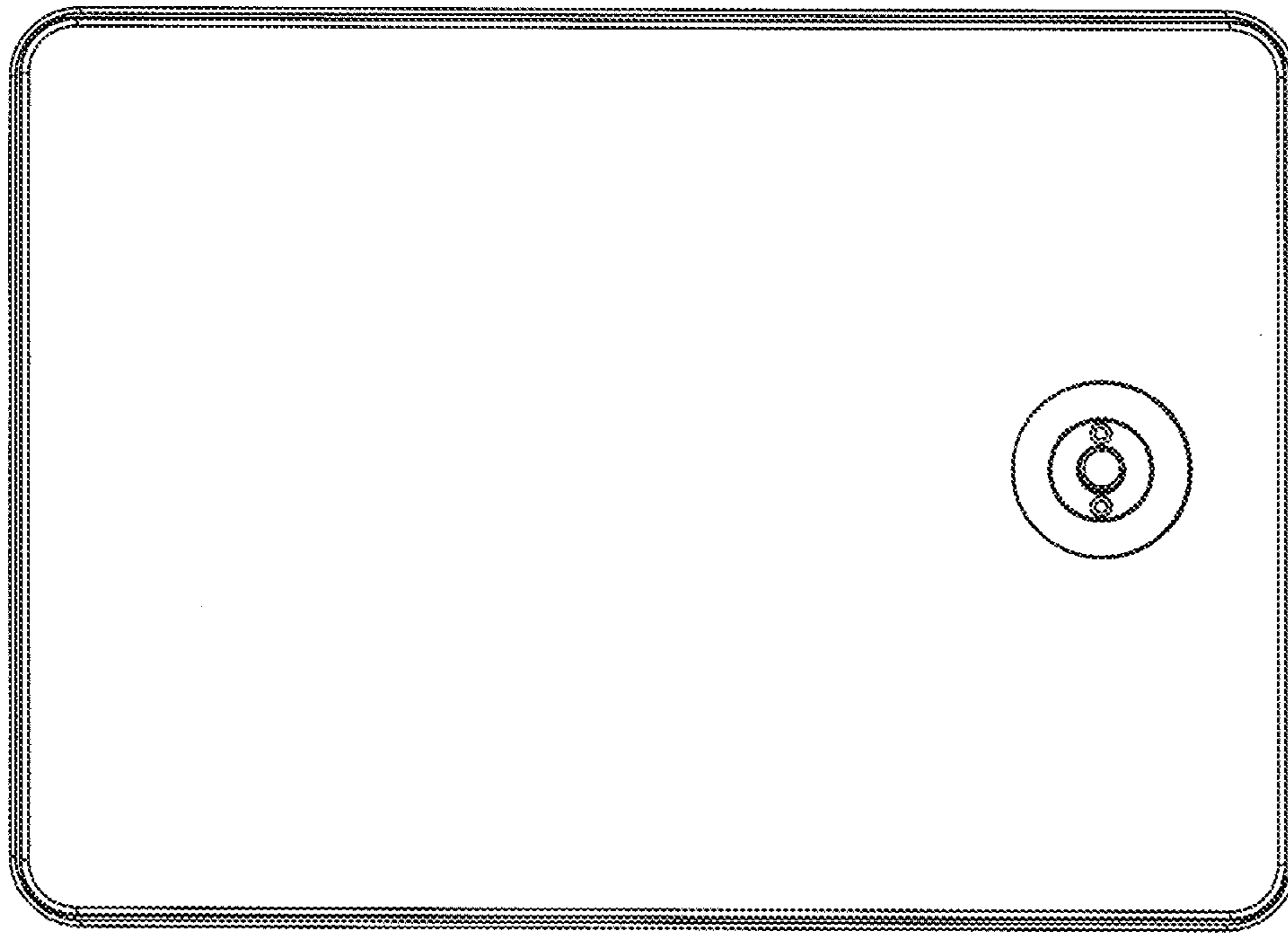


FIG. 6

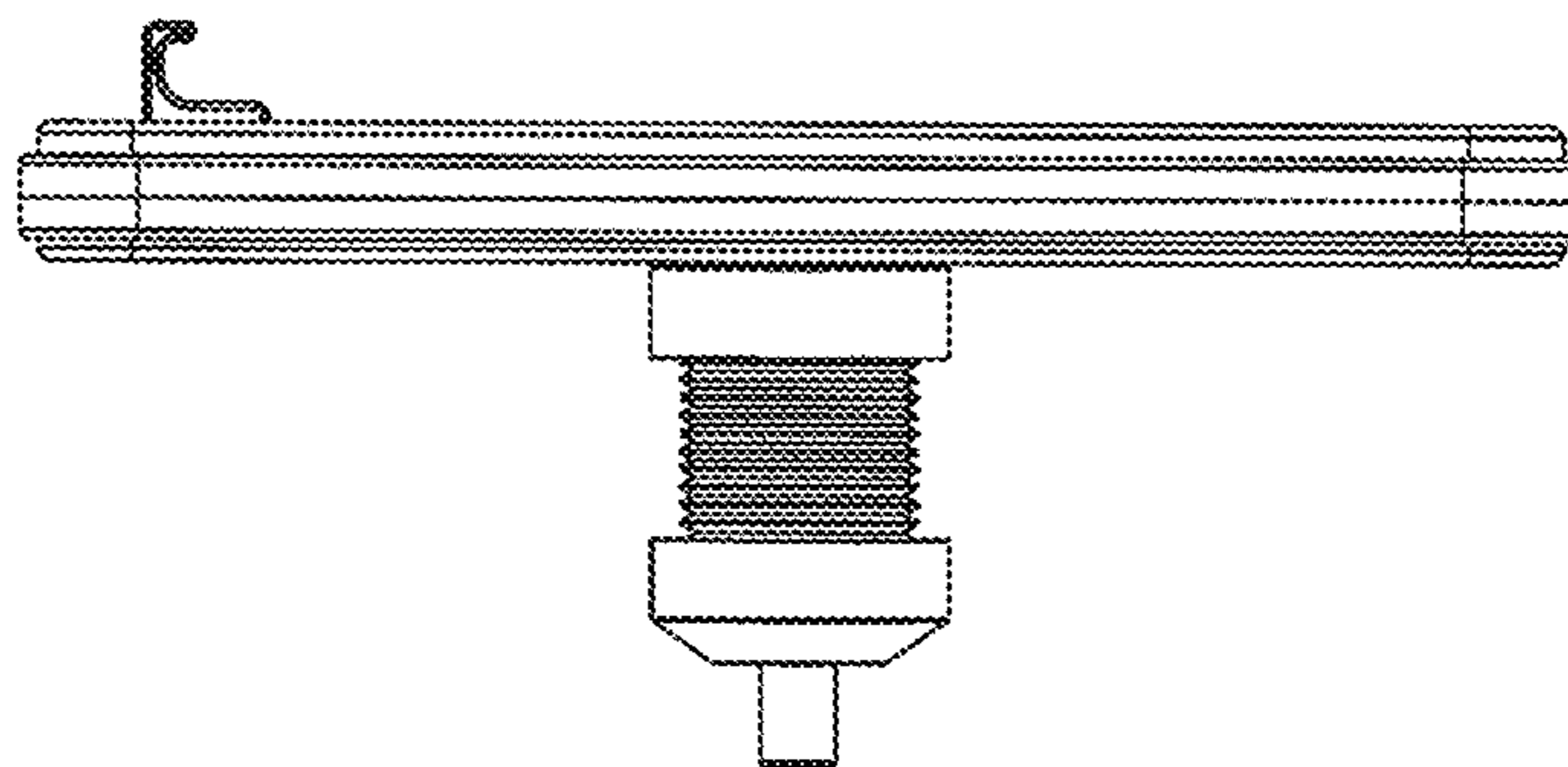


FIG. 7

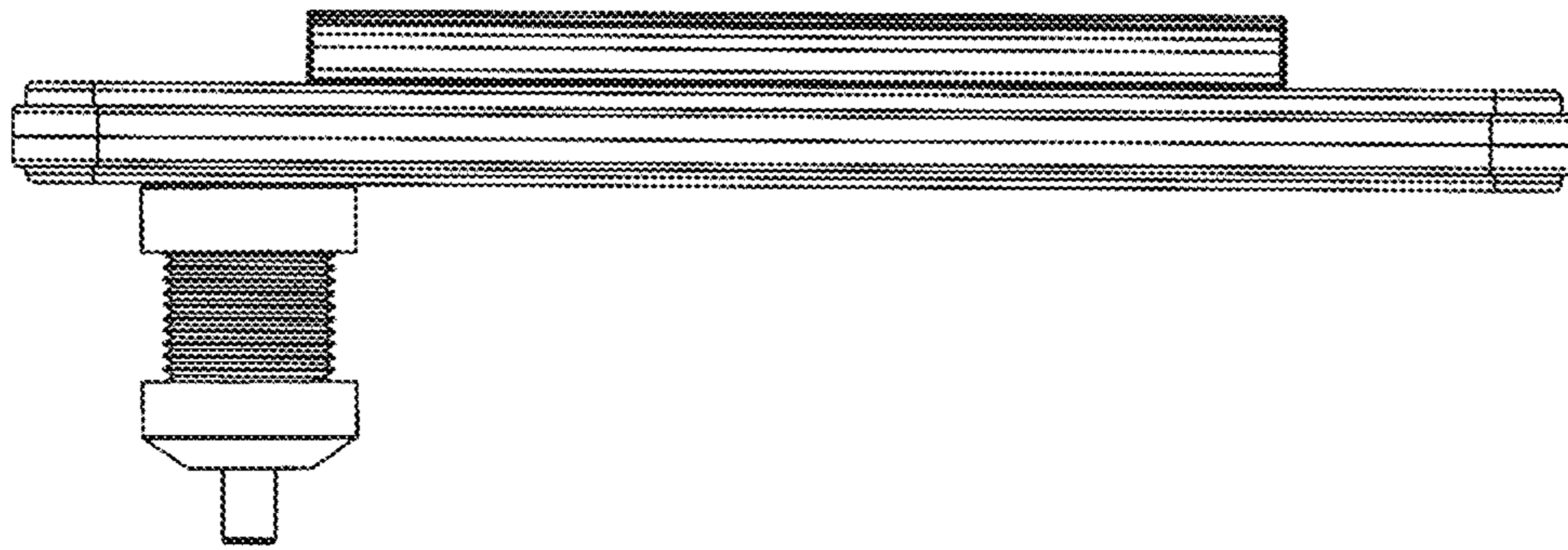


FIG. 8

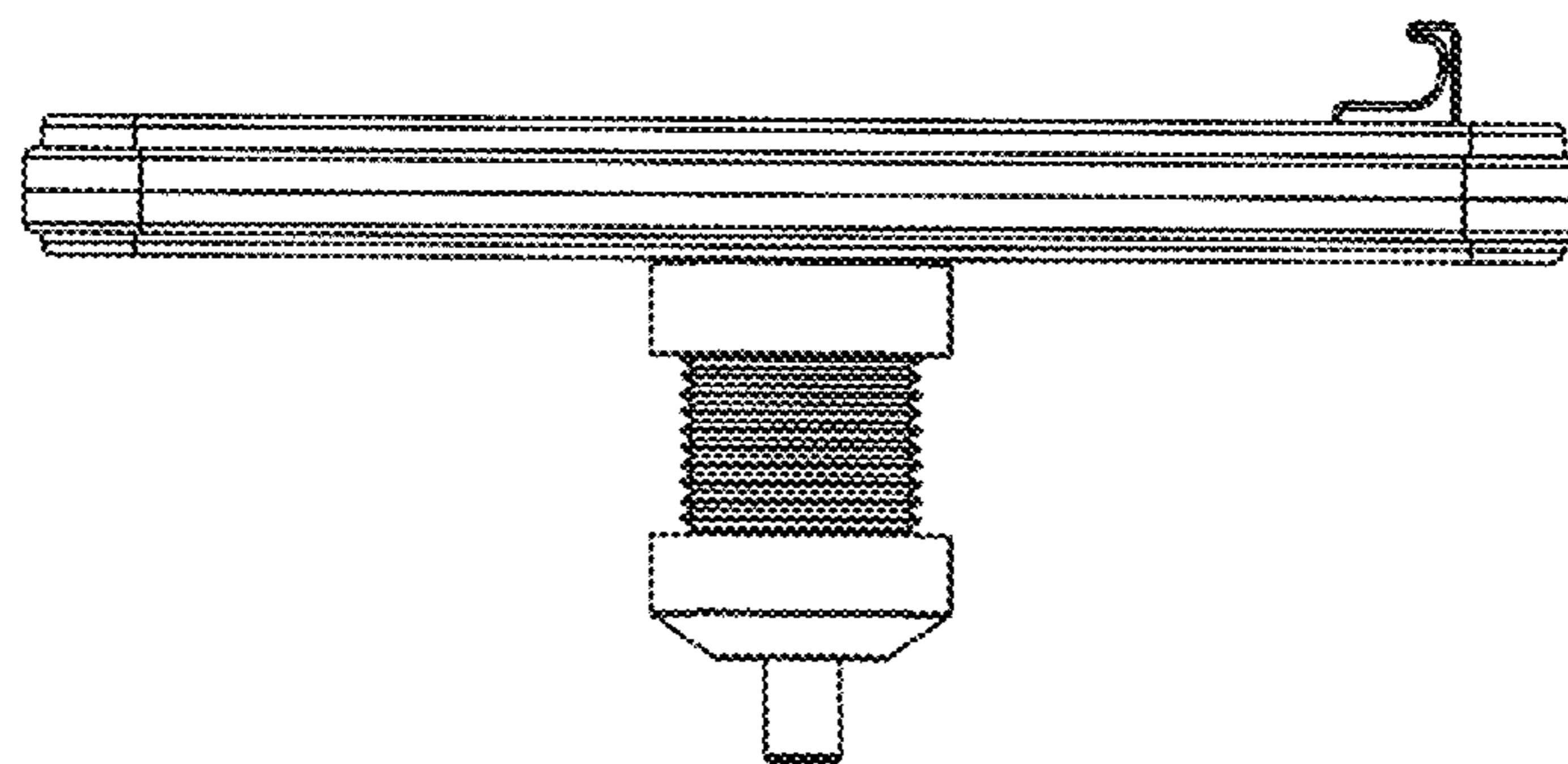


FIG. 9

