

US00D749866S

(12) **United States Design Patent**
Doshi et al.

(10) **Patent No.:** **US D749,866 S**
(45) **Date of Patent:** **** Feb. 23, 2016**

(54) **FURNITURE**

(71) Applicant: **B&B ITALIA S.p.A.**, Milan (IT)

(72) Inventors: **Nipa Doshi**, London (GB); **Jonathan Levien**, London (GB)

(73) Assignee: **B&B ITALIA S.p.A.**, Milan (IT)

(**) Term: **14 Years**

(21) Appl. No.: **29/504,273**

(22) Filed: **Oct. 3, 2014**

(30) **Foreign Application Priority Data**

Apr. 4, 2014 (IT) MI2014O0056

(51) **LOC (10) Cl.** **06-01**

(52) **U.S. Cl.**
USPC **D6/366**

(58) **Field of Classification Search**
USPC D6/334-336, 364, 365, 366, 374, 379,
D6/380, 716, 716.1, 716.4
CPC A47C 7/38; A47C 7/022; A47C 7/40;
A47C 7/18; A47C 7/004

See application file for complete search history.

(56) **References Cited**

U.S. PATENT DOCUMENTS

D209,743 S *	1/1968	Mulhauser, Jr.	D6/366
D516,827 S *	3/2006	Mourgue	D6/366
D527,556 S *	9/2006	Kita	D6/366
D528,830 S *	9/2006	Kita	D6/366
D531,420 S *	11/2006	Kita	D6/364
D555,376 S *	11/2007	Lade	D6/365
D560,380 S *	1/2008	Mourgue	D6/366

* cited by examiner

Primary Examiner — Mimosa De

(74) *Attorney, Agent, or Firm* — Thomas|Horstemeyer, LLP

(57) **CLAIM**

The ornamental design for furniture, as shown and described.

DESCRIPTION

FIG. 1 is a front perspective view of my new furniture;
FIG. 2 is a bottom perspective view of my new furniture of FIG. 1 from the rear of the furniture;
FIG. 3 is a front elevational view of my new furniture of FIG. 1;
FIG. 4 is a rear elevational view of my new furniture, opposite that of FIG. 3;
FIG. 5 is a side elevational view of my new furniture of FIG. 1;
FIG. 6 is another side elevational view of my new furniture, from a side opposite that of FIG. 5;
FIG. 7 is a top view of my new furniture of FIG. 1; and
FIG. 8 is a bottom view of my new furniture of FIG. 1.

1 Claim, 8 Drawing Sheets





FIG. 1

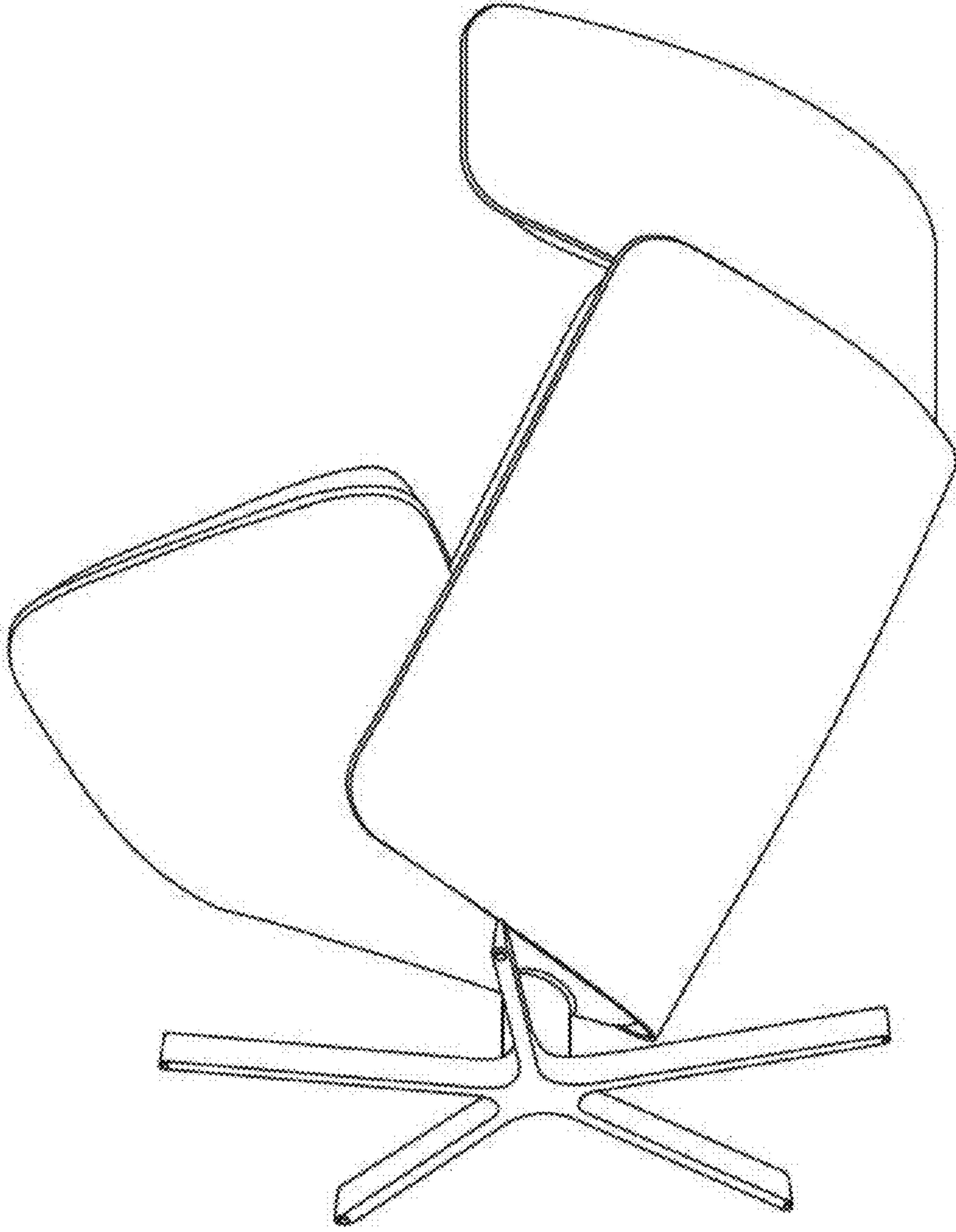


FIG. 2

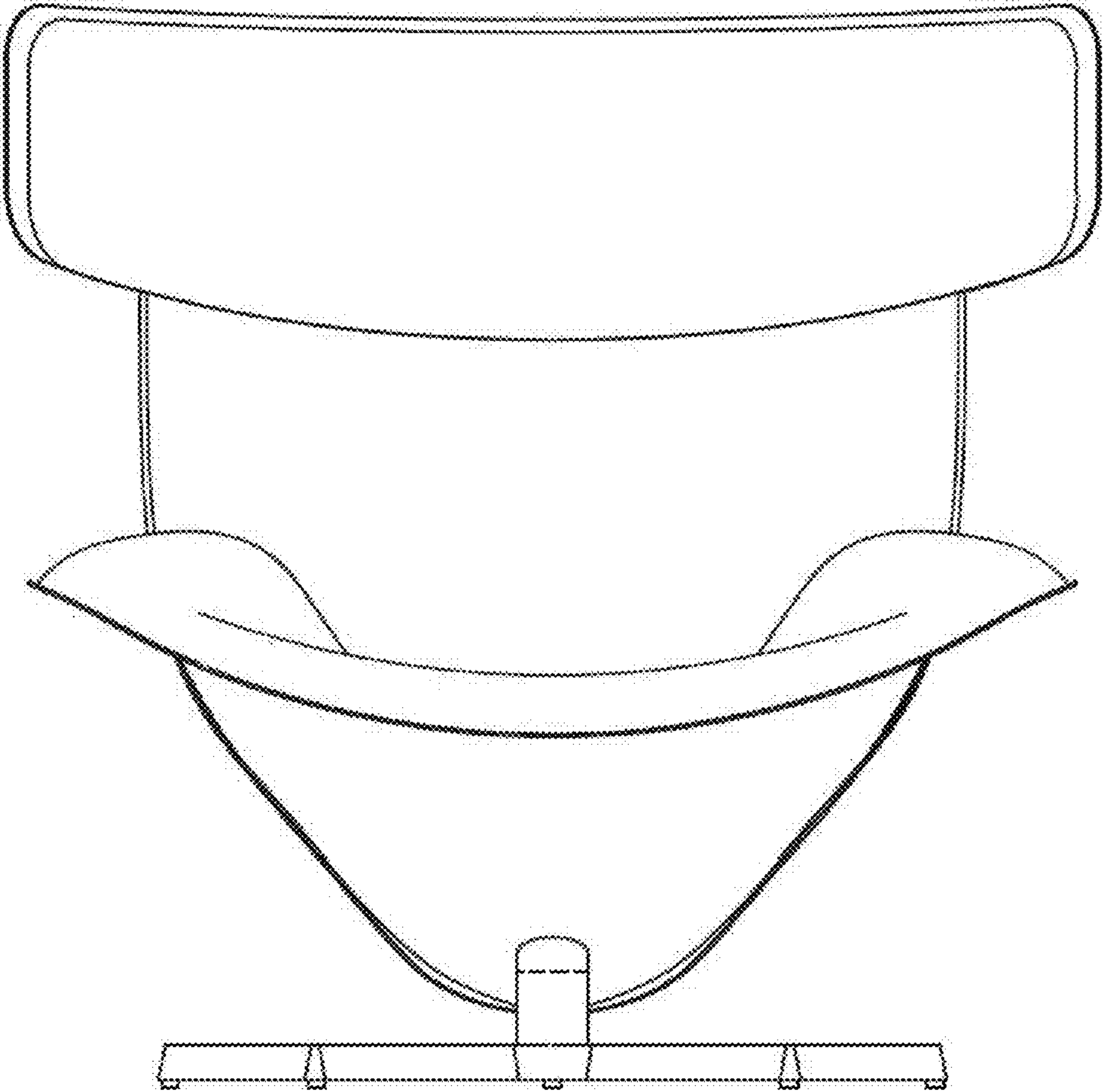


FIG. 3

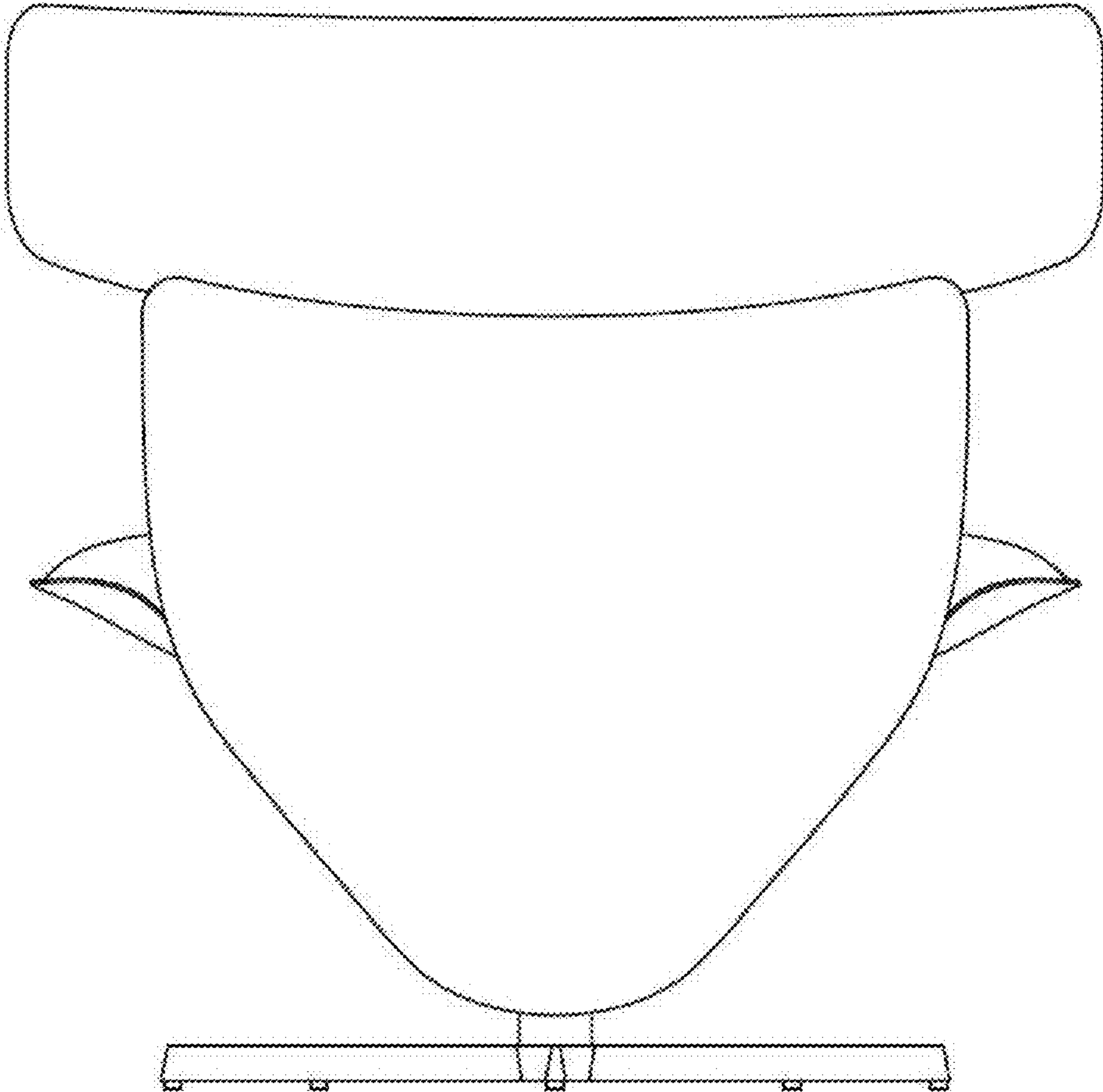


FIG. 4

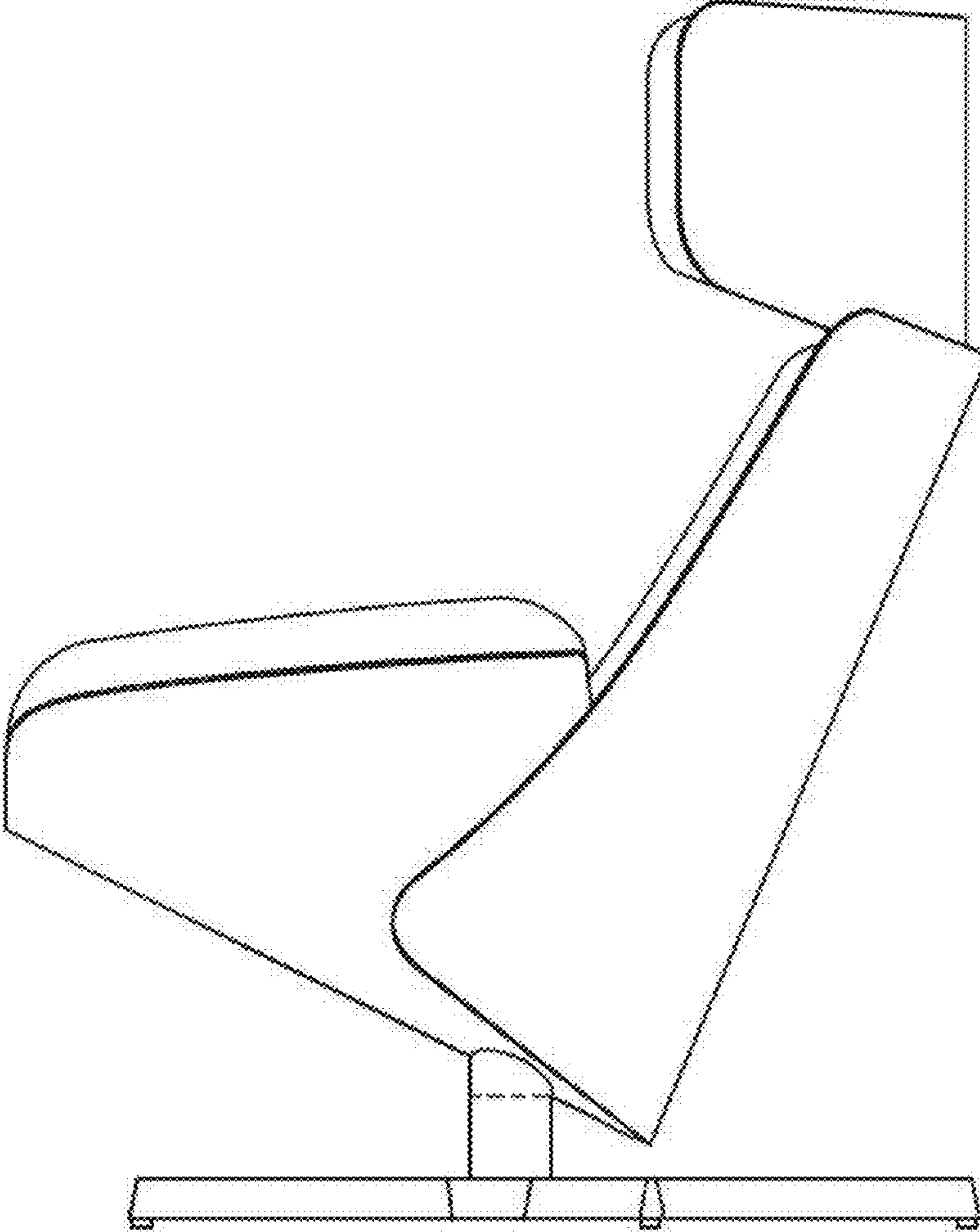


FIG. 5

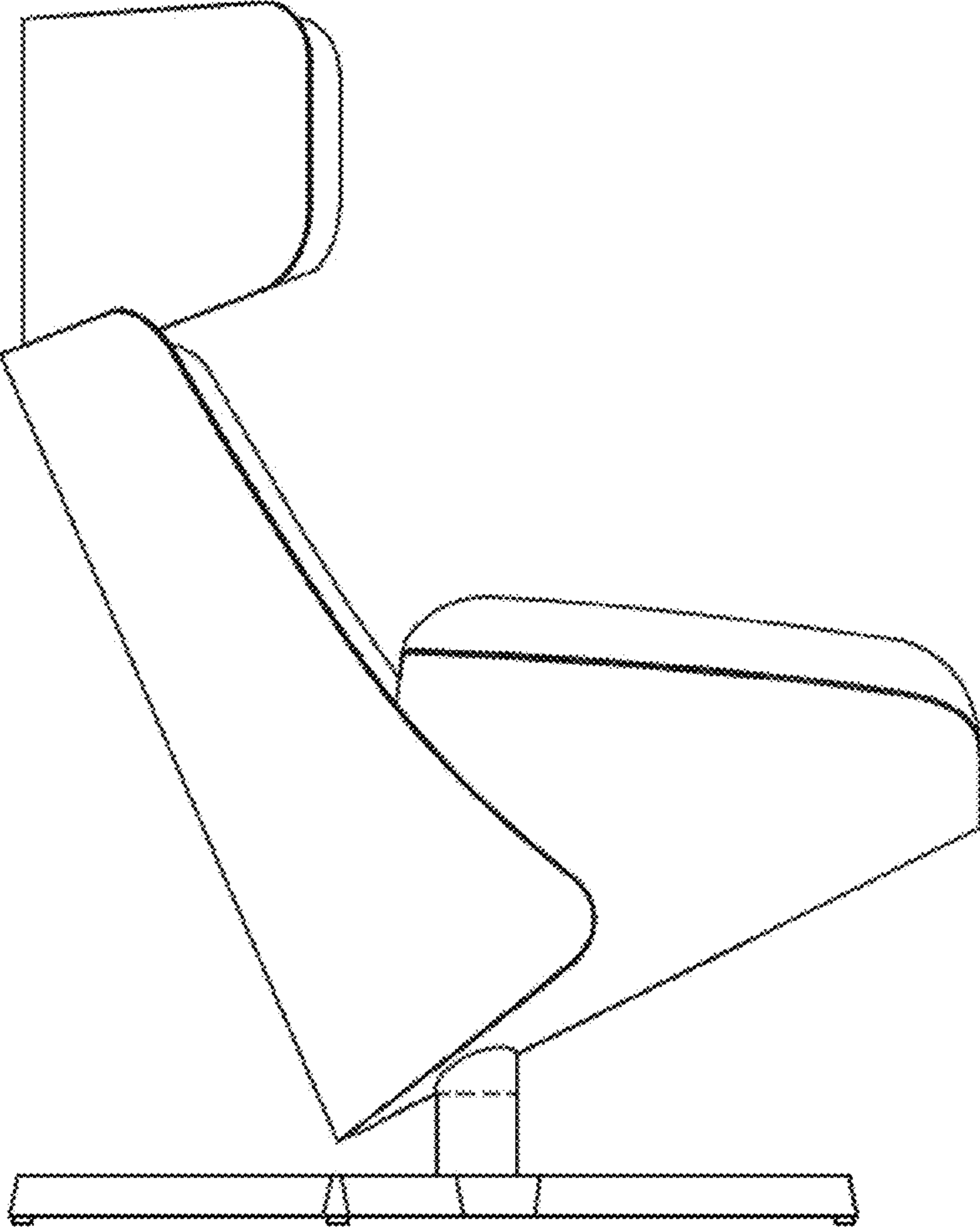


FIG. 6

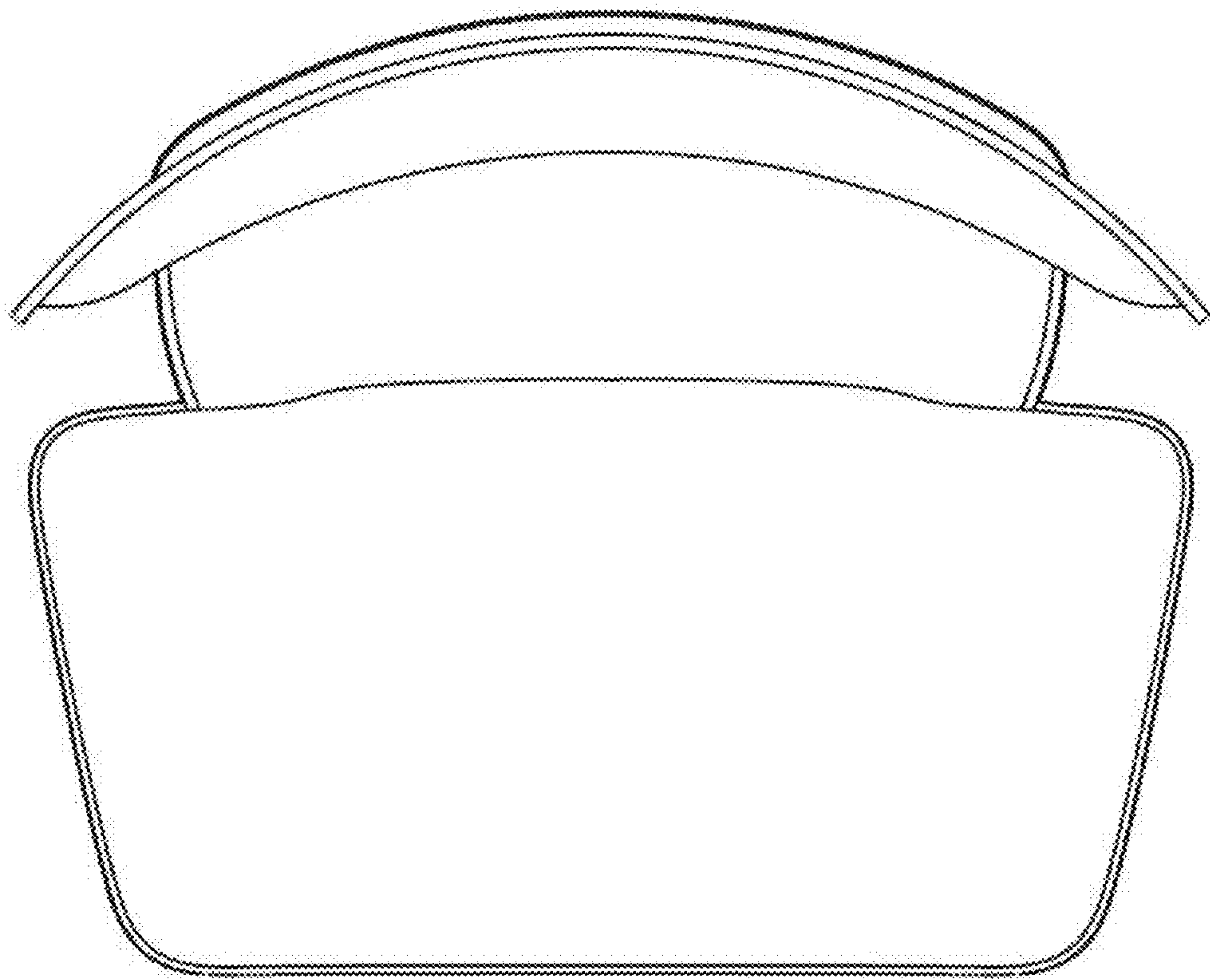


FIG. 7

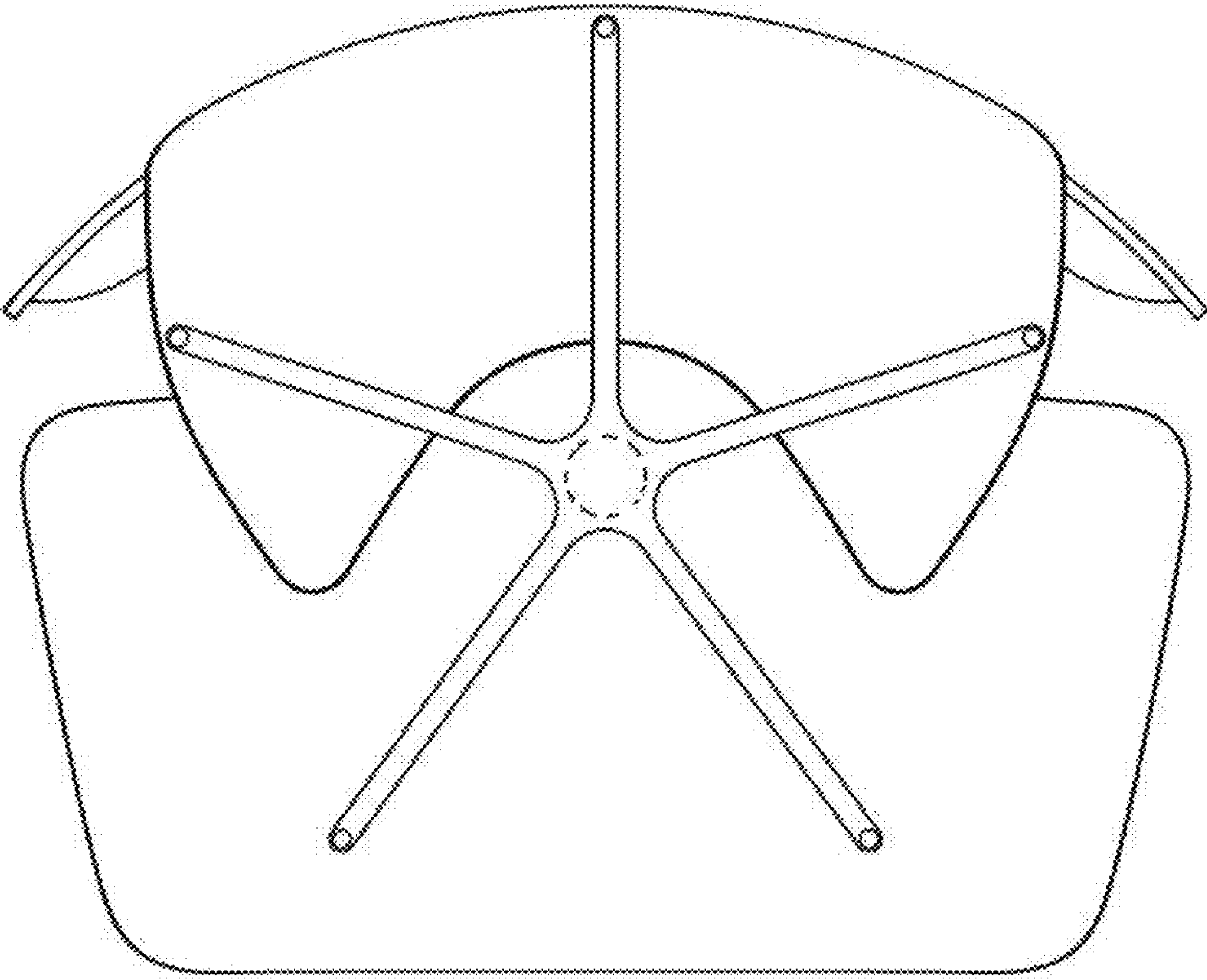


FIG. 8

UNITED STATES PATENT AND TRADEMARK OFFICE
CERTIFICATE OF CORRECTION

PATENT NO. : D749,866 S
APPLICATION NO. : 29/504273
DATED : February 23, 2016
INVENTOR(S) : Nipa Doshi and Jonathan Levien

Page 1 of 1

It is certified that error appears in the above-identified patent and that said Letters Patent is hereby corrected as shown below:

Title Page, (30) Foreign Application Priority Data: change "MI2014O0056" to -- MI2014O000056 --.

Signed and Sealed this
Third Day of May, 2016



Michelle K. Lee
Director of the United States Patent and Trademark Office