



US00D749865S

(12) **United States Design Patent**  
**Moffat**

(10) **Patent No.:** **US D749,865 S**

(45) **Date of Patent:** **\*\* Feb. 23, 2016**

(54) **FOLDING STEP STOOL AND KNEELING PAD**

(71) Applicant: **Gary Moffat**, Arlington, WA (US)

(72) Inventor: **Gary Moffat**, Arlington, WA (US)

(\*\*) Term: **14 Years**

(21) Appl. No.: **29/524,189**

(22) Filed: **Apr. 17, 2015**

(51) **LOC (10) Cl.** ..... **06-01**

(52) **U.S. Cl.**

USPC ..... **D6/353**; D25/65

(58) **Field of Classification Search**

USPC ..... D6/333, 335, 340, 344, 347, 349-355,  
D6/358, 360, 363-365, 381, 406.6, 596,  
D6/601, 648, 662.1, 675, 677, 685-687,  
D6/688.15, 688.27, 690, 691, 691.8,  
D6/692.1-692.3, 695.1, 708.16, 708.2,  
D6/709, 709.2, 709.22, 711, 716-716.7,  
D6/717; D25/62-65

CPC ..... A47C 1/14; A47C 3/00; A47C 3/04;  
A47C 3/14; A47C 3/16; A47C 3/18; A47C  
3/20; A47C 3/36; A47C 4/00; A47C 4/28;  
A47C 4/30; A47C 4/38; A47C 4/42; A47C  
4/48; A47C 5/02; A47C 5/04; A47C 5/043;  
A47C 7/00-7/006; A47C 7/02; A47C 9/00;  
A47C 9/02; A47C 9/002; A47C 9/007;  
A47C 9/025; A47C 9/10; A47C 11/00;  
A47C 12/00; A47C 13/00; A47C 16/02;  
A47B 7/00-7/02; A47B 45/00; A47B  
47/04-47/045; A47B 3/00; A47B 3/02;  
A47B 3/04; A47B 3/12

See application file for complete search history.

(56) **References Cited**

**U.S. PATENT DOCUMENTS**

2,083,605 A 6/1936 Jertberg  
2,225,696 A 12/1940 Holzderber  
2,237,909 A 4/1941 Lund

2,318,416 A 5/1943 Peirce  
D225,493 S \* 12/1972 Rossi ..... D25/65  
3,884,327 A 5/1975 Zigman  
4,394,049 A 7/1983 Ward  
4,491,193 A 1/1985 Moss  
D287,074 S \* 12/1986 Ritchie ..... D6/330  
D294,779 S \* 3/1988 Cosby ..... D25/62  
4,998,298 A 3/1991 Mitchel  
D322,826 S \* 12/1991 Wilkinson ..... D21/671  
D331,808 S \* 12/1992 Paul ..... D25/65

(Continued)

*Primary Examiner* — Susan Bennett Hattan

*Assistant Examiner* — Vy Koenig

(74) *Attorney, Agent, or Firm* — Dean A. Craine; Marisa C. Whitaker

(57) **CLAIM**

The ornamental design for a folding step stool and kneeling pad, as shown and described.

**DESCRIPTION**

FIG. 1 is a perspective view of a folding step stool and kneeling pad in an unfolded configuration.

FIG. 2 is a front elevational view of the invention shown in FIG. 1.

FIG. 3 is a rear elevational view of the invention shown in FIG. 1.

FIG. 4 is a top plan view of the invention shown in FIG. 1.

FIG. 5 is a bottom plan view of the invention shown in FIG. 1.

FIG. 6 is a right side elevational view of the invention shown in FIG. 1.

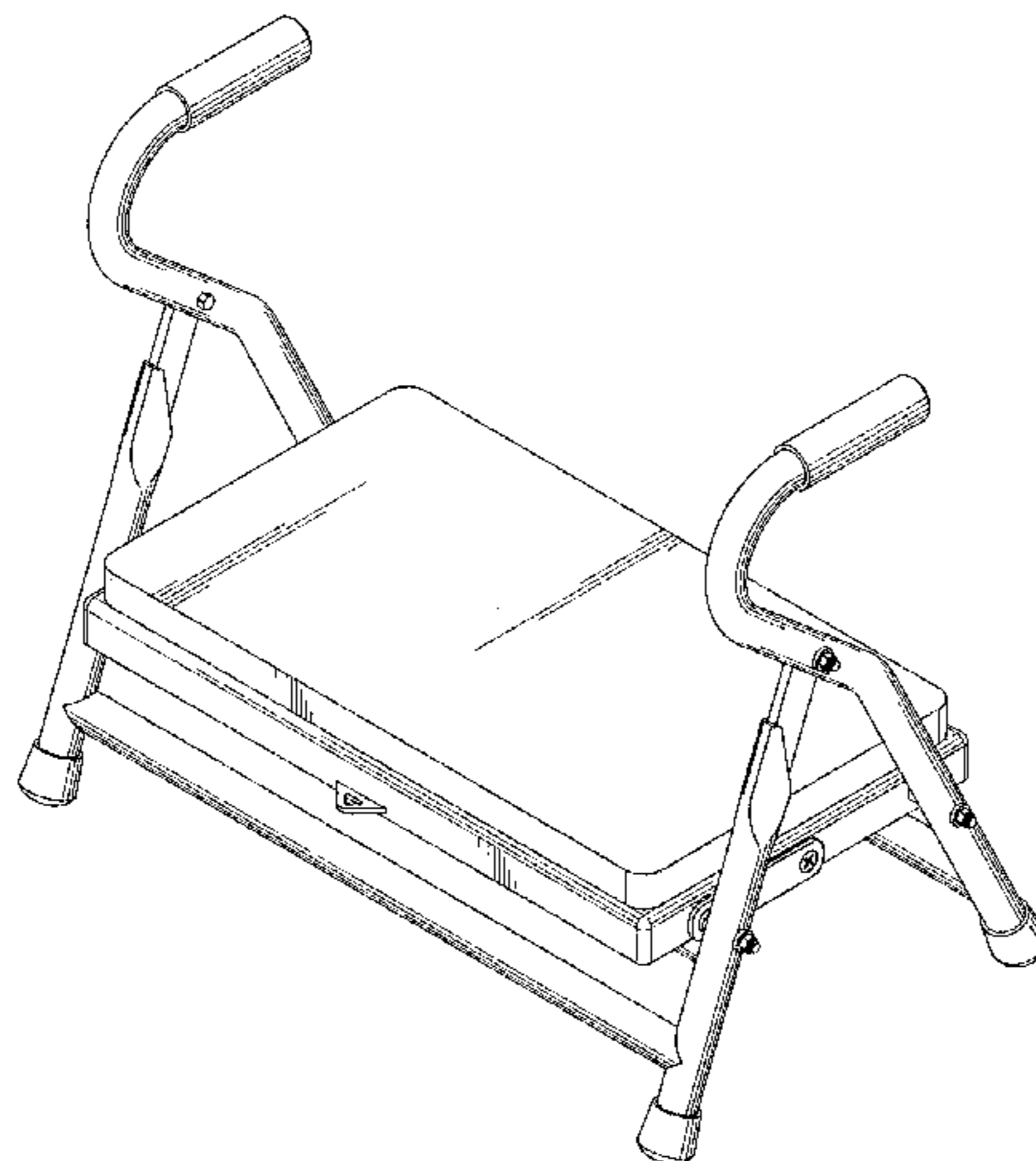
FIG. 7 is a left side elevational view of the invention shown in FIG. 1.

FIG. 8 is a left side elevational view of the invention shown in a folded configuration.

FIG. 9 is a rear elevational view of the invention shown in FIG. 8; and,

FIG. 10 is a top plan view of the invention shown in FIG. 8.

**1 Claim, 6 Drawing Sheets**



# US D749,865 S

Page 2

---

(56)

## References Cited

### U.S. PATENT DOCUMENTS

D347,738 S \* 6/1994 Woodward ..... D25/65  
D365,693 S \* 1/1996 Jones ..... D6/349  
D376,923 S \* 12/1996 Jones ..... D6/349

D382,125 S \* 8/1997 Chuang ..... D6/349  
D411,888 S \* 7/1999 King ..... D25/65  
6,883,177 B1 4/2005 Ouellette  
D563,685 S \* 3/2008 Adams ..... D6/350  
8,888,188 B2 11/2014 Moffat

\* cited by examiner

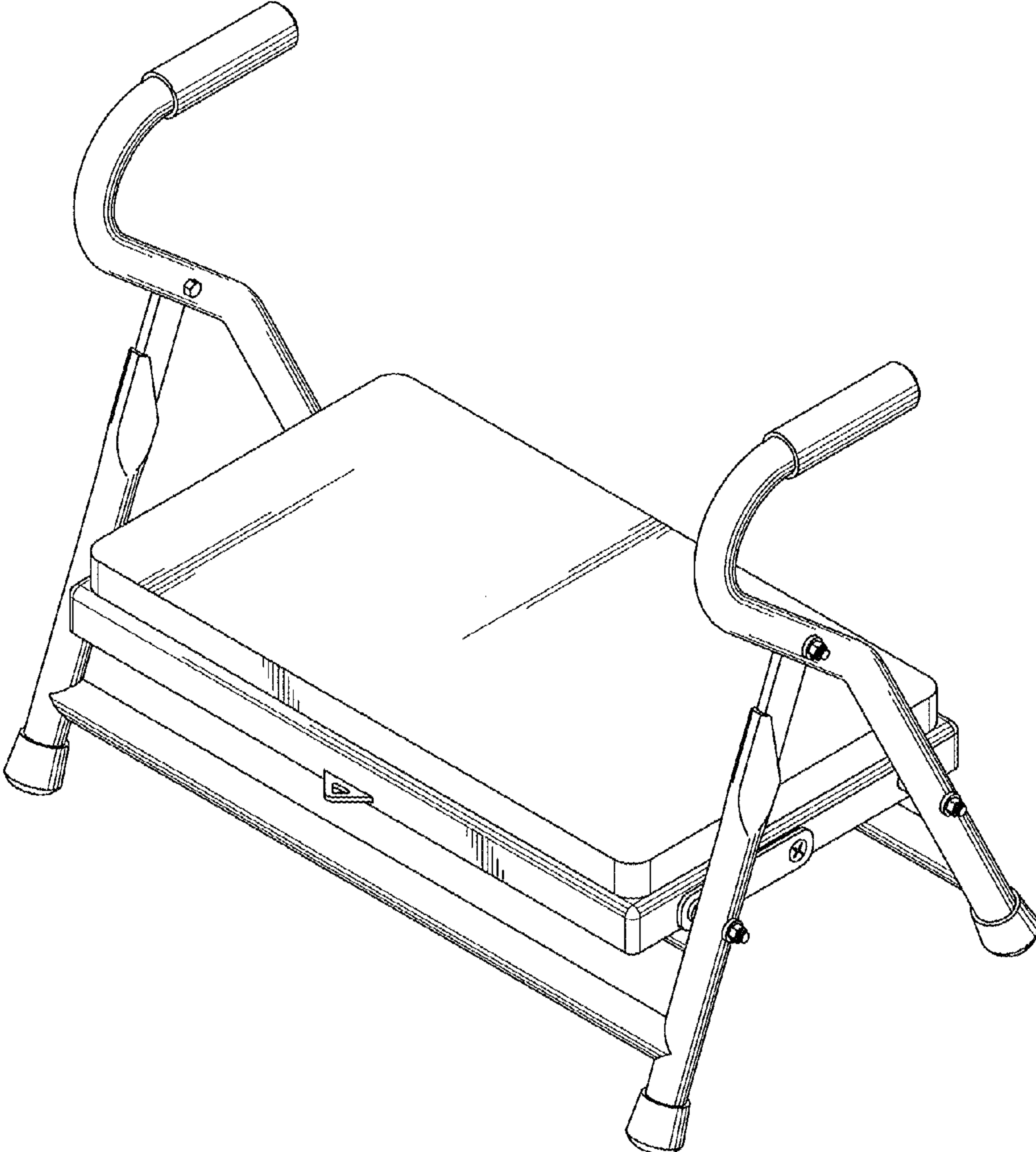


Fig. 1

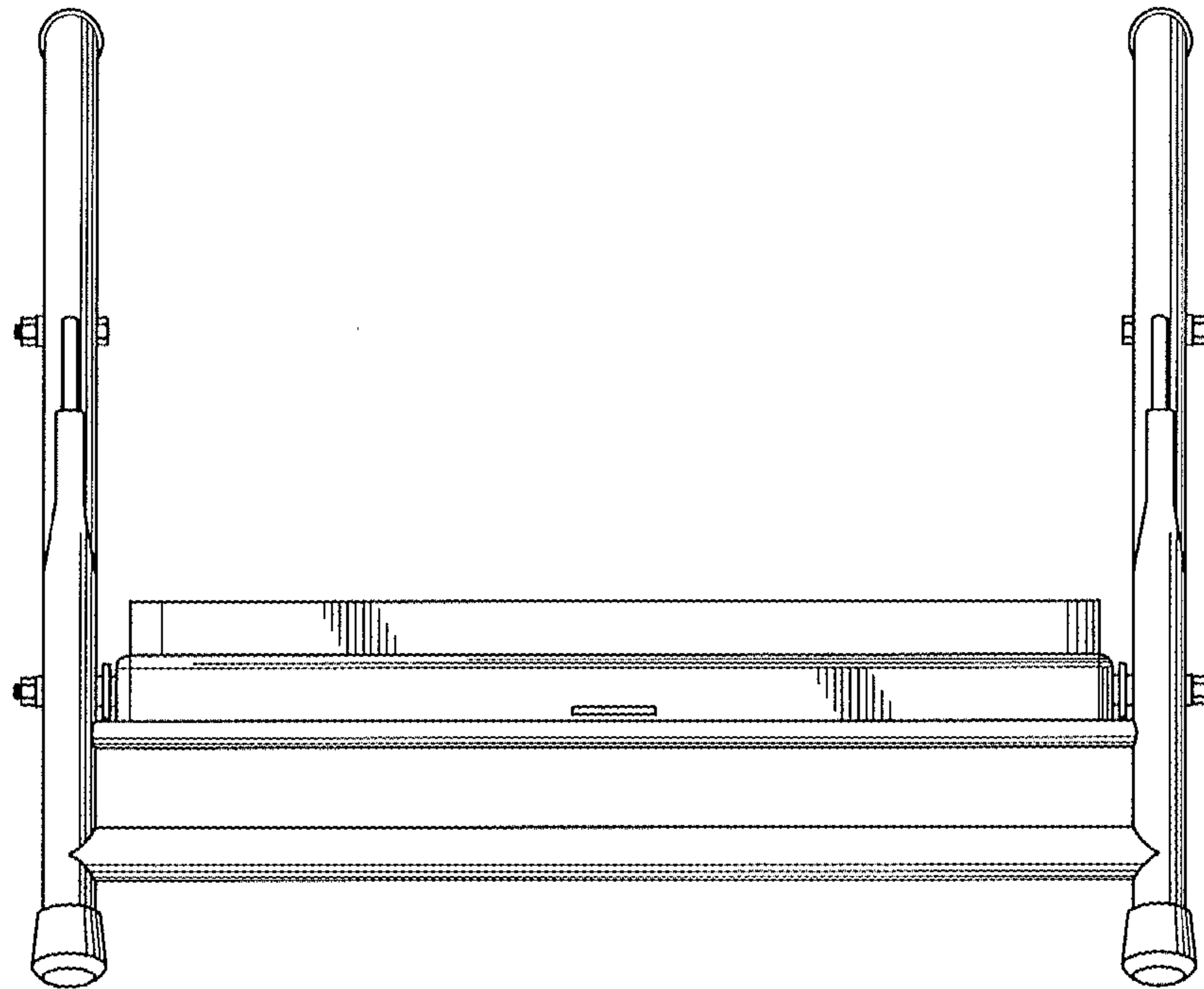


Fig. 2

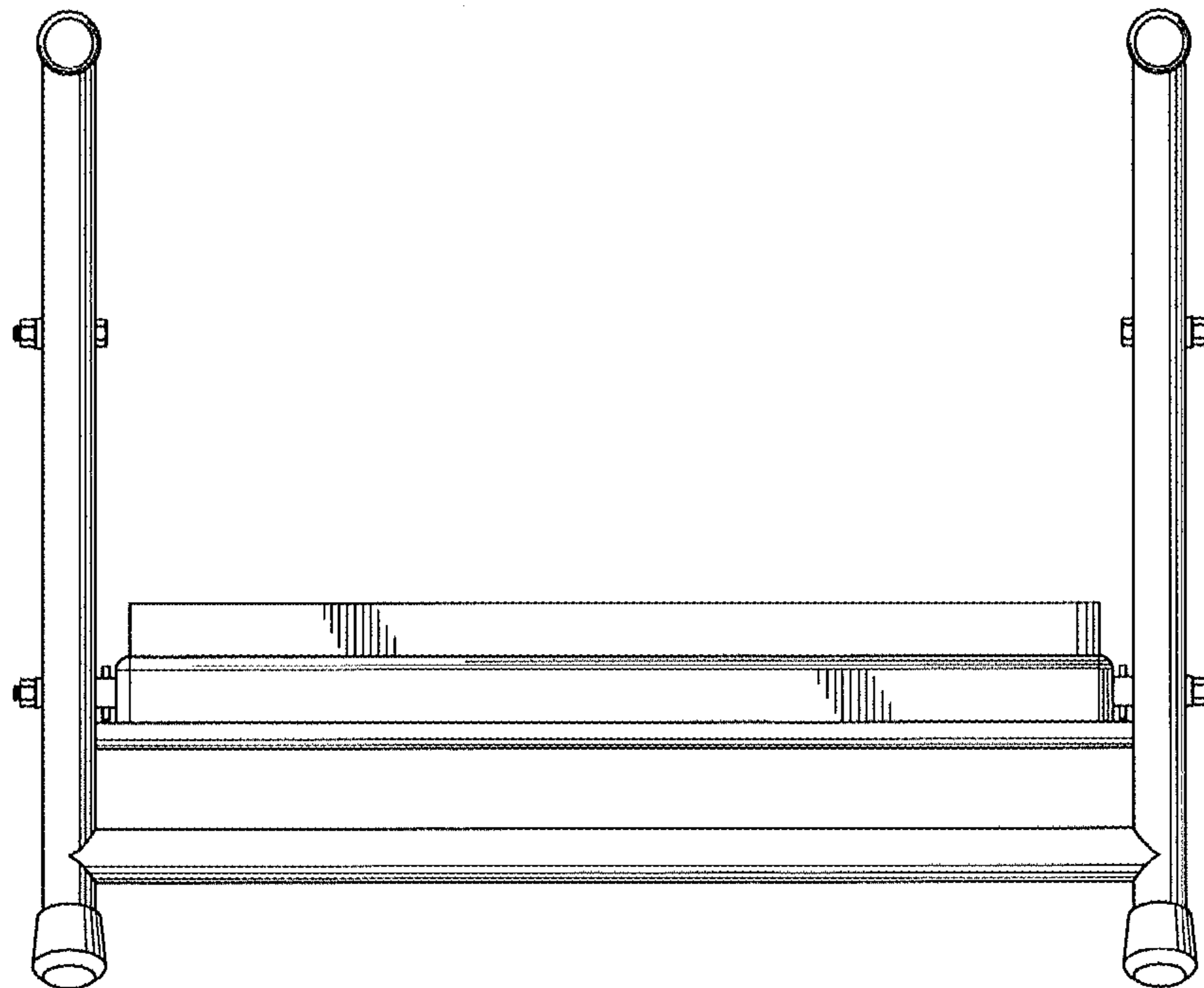


Fig. 3

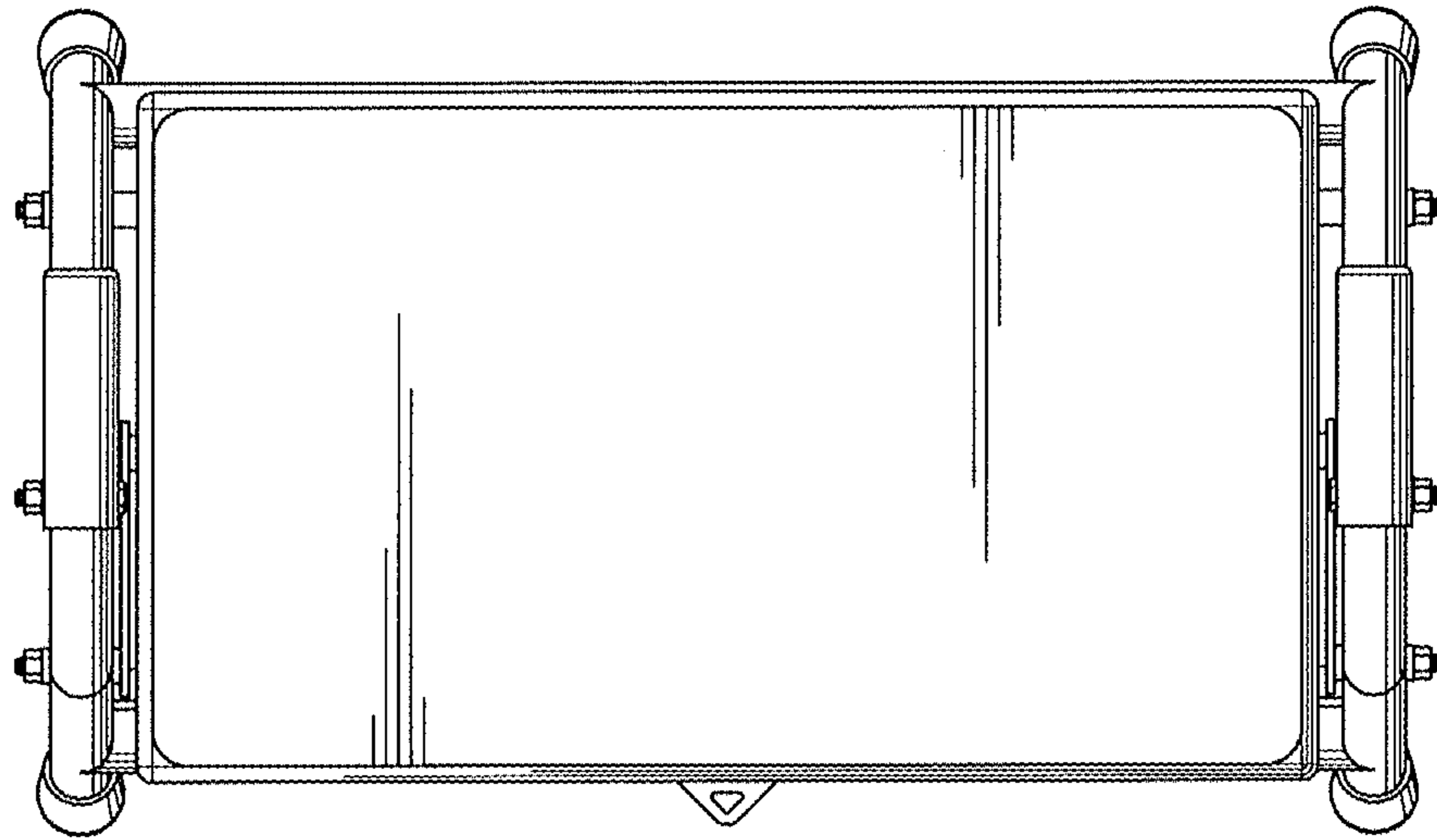


Fig. 4

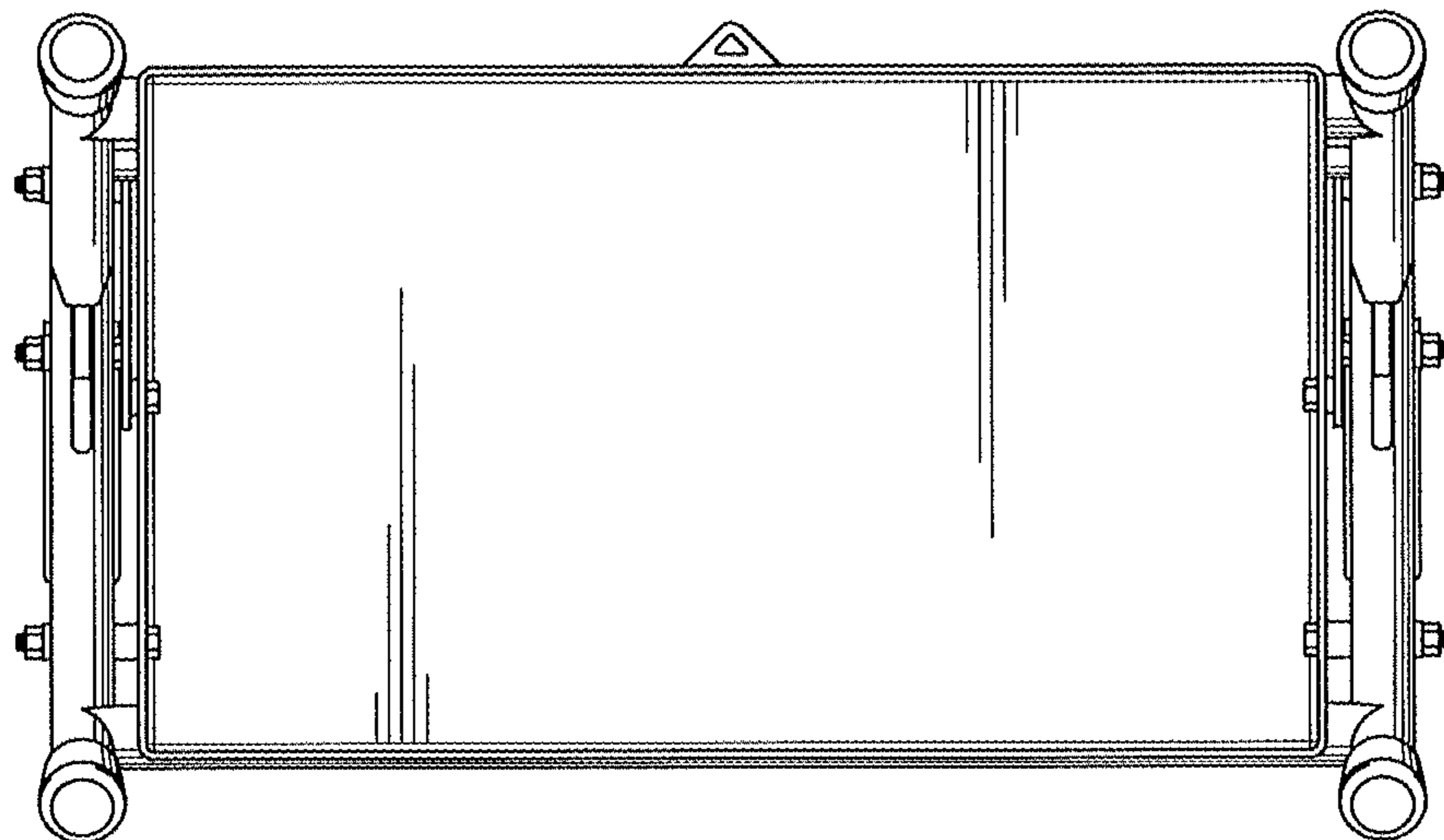


Fig. 5

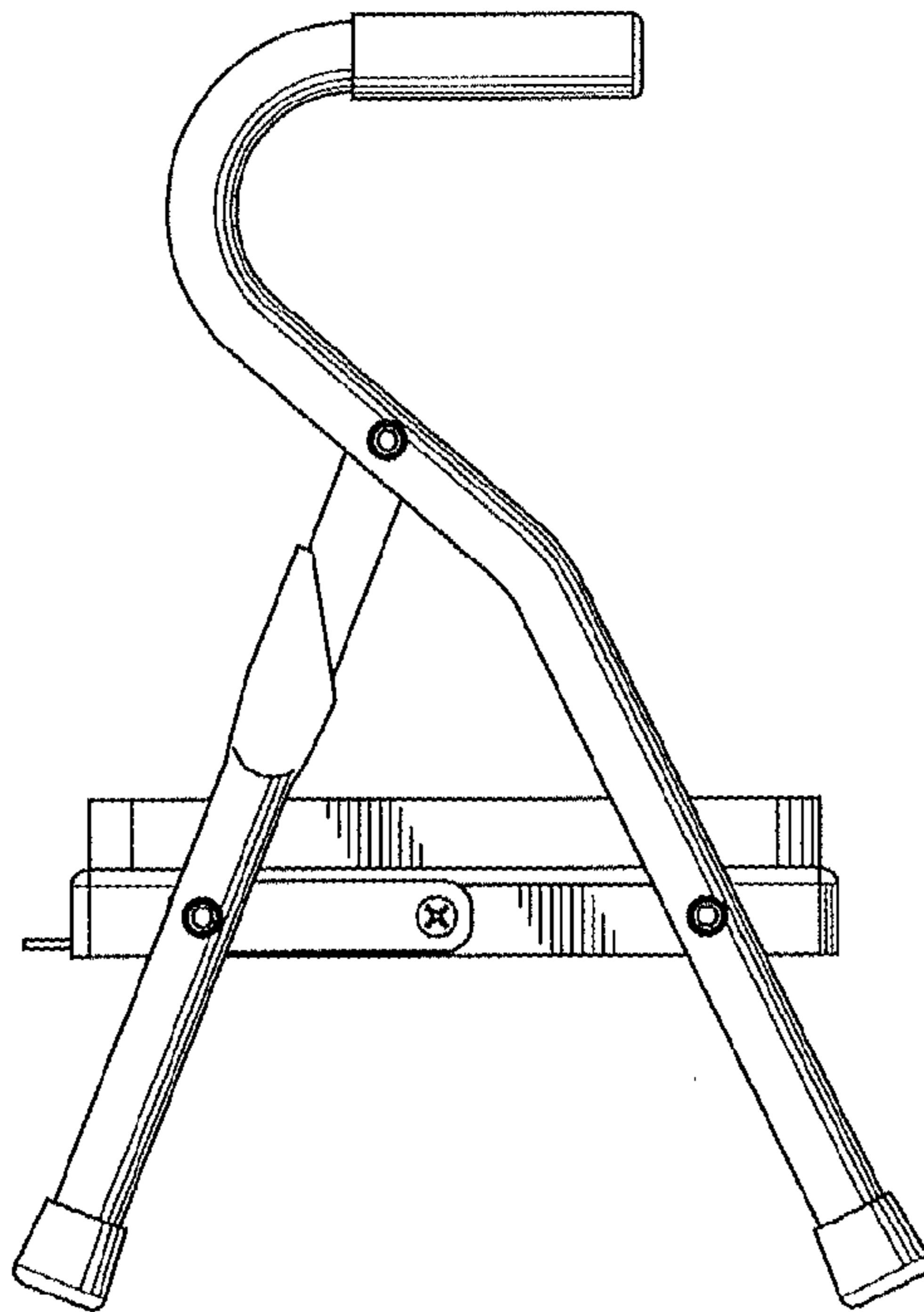


Fig. 6

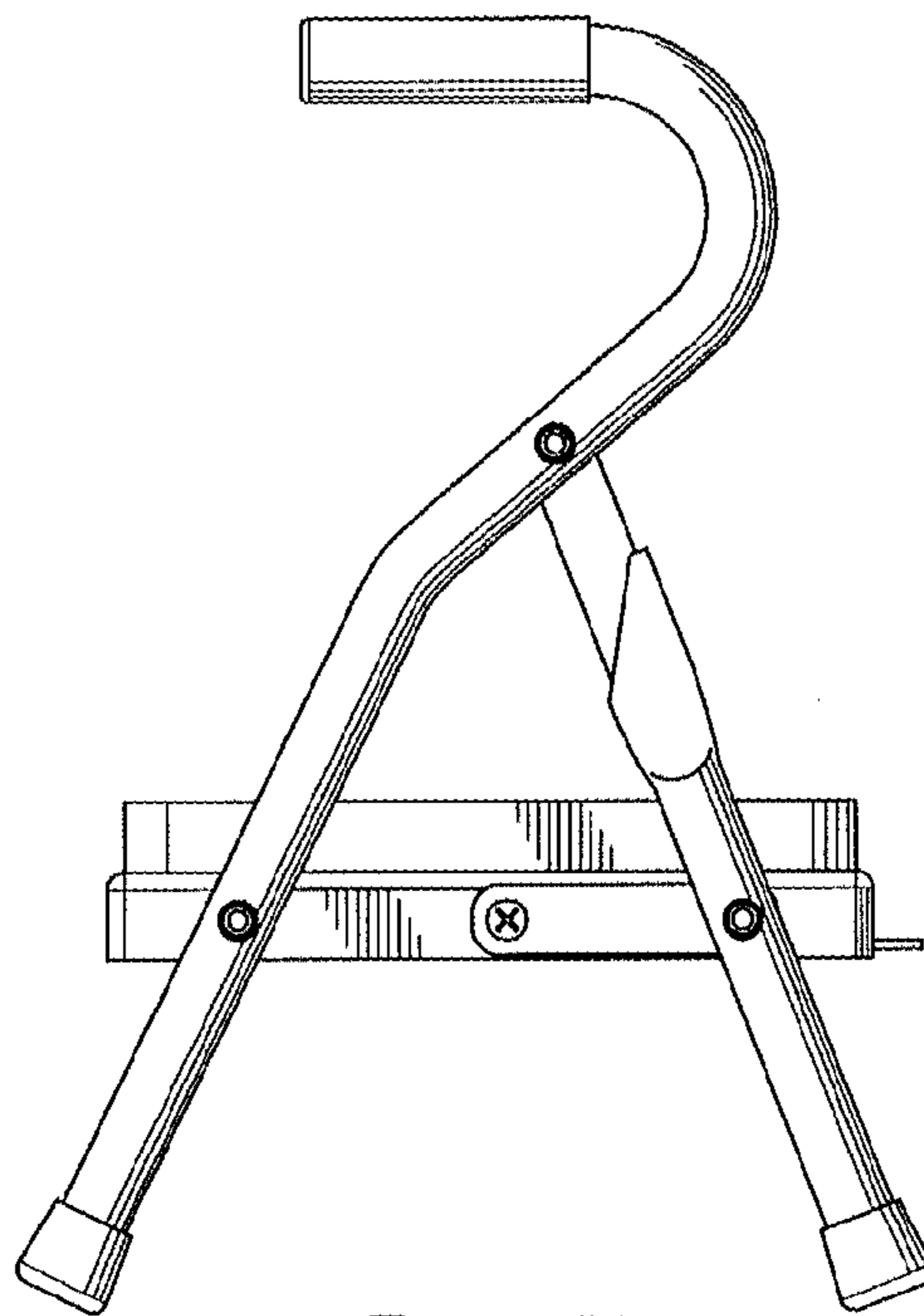


Fig. 7

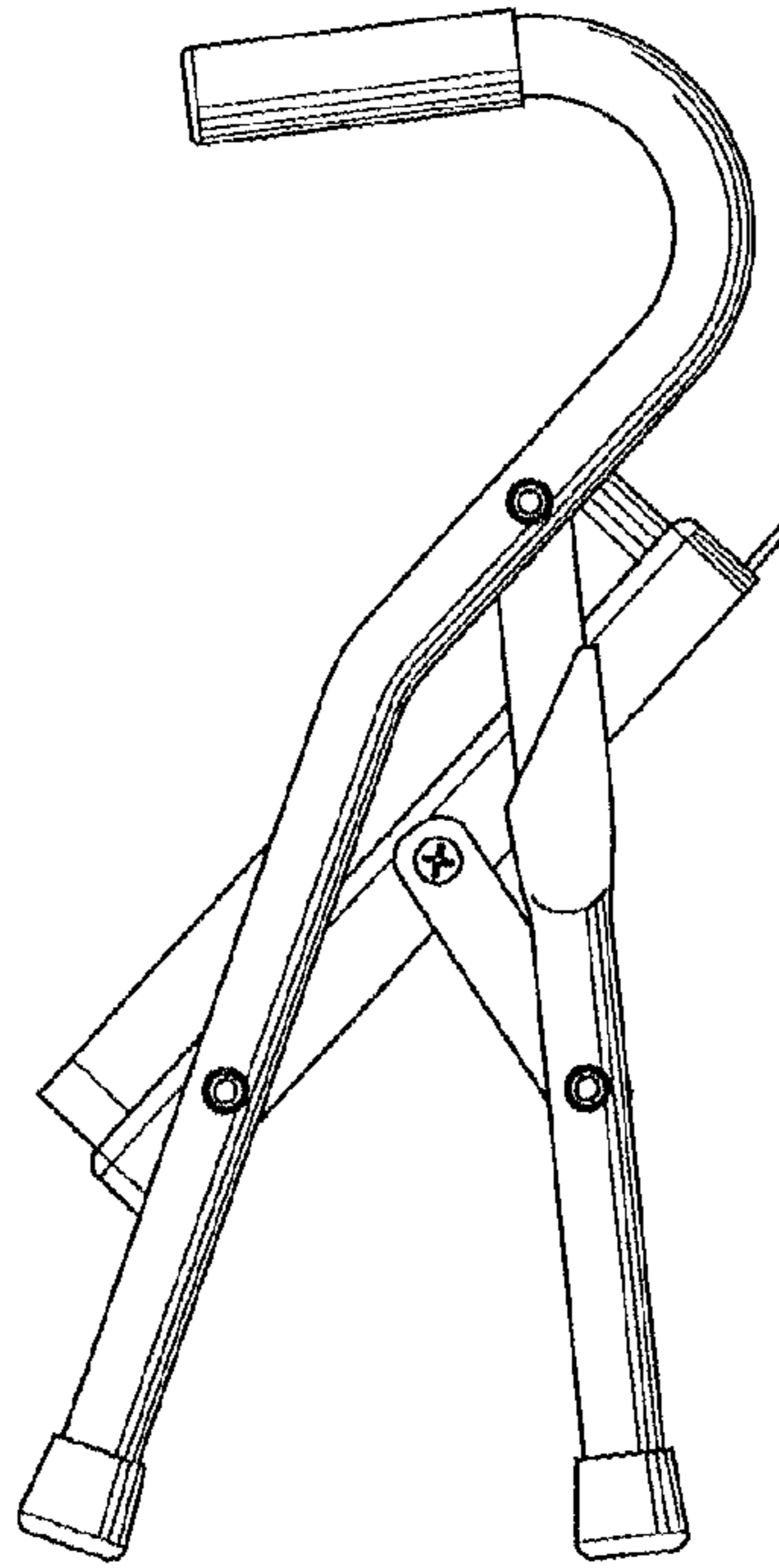


Fig. 8

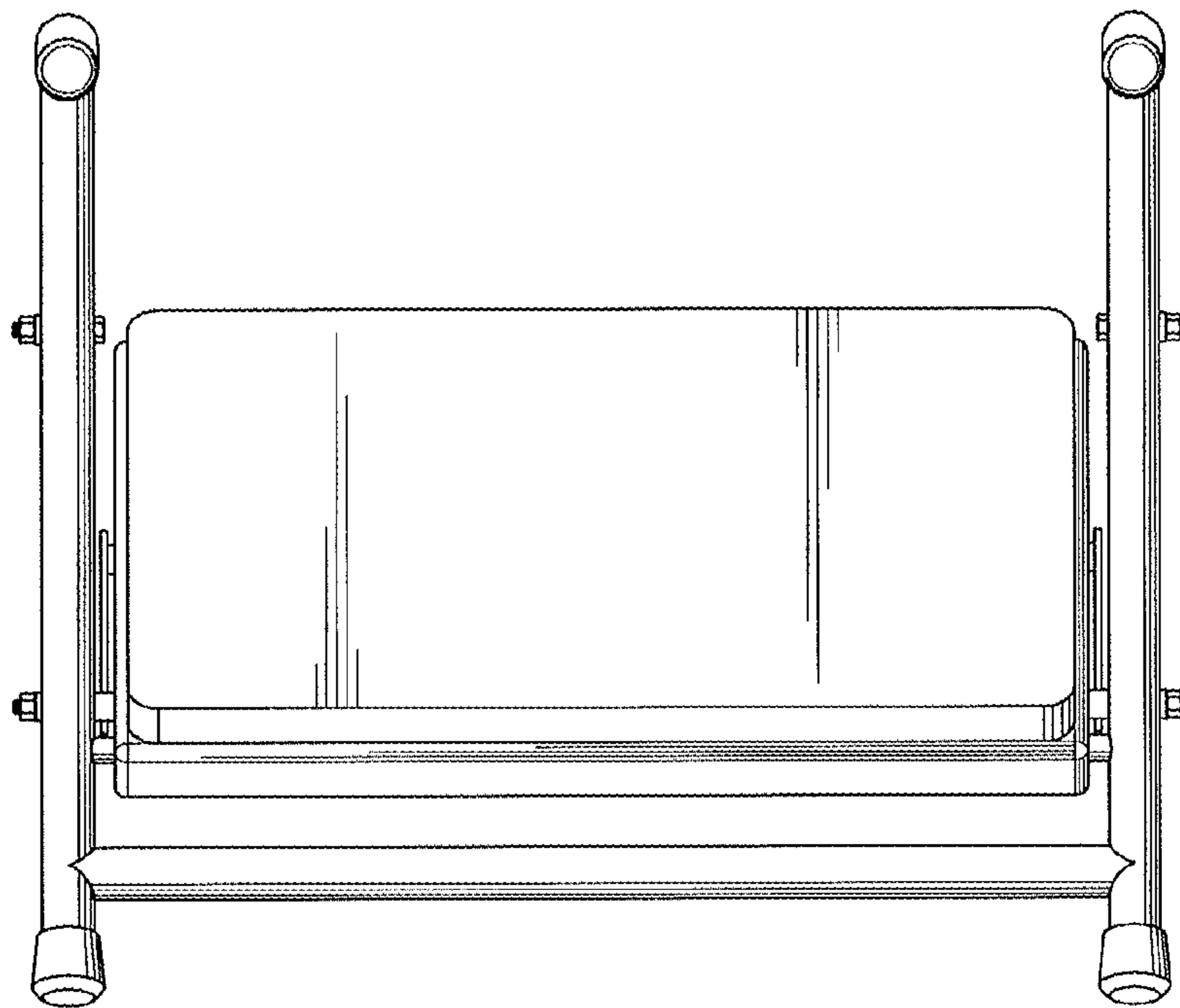


Fig. 9

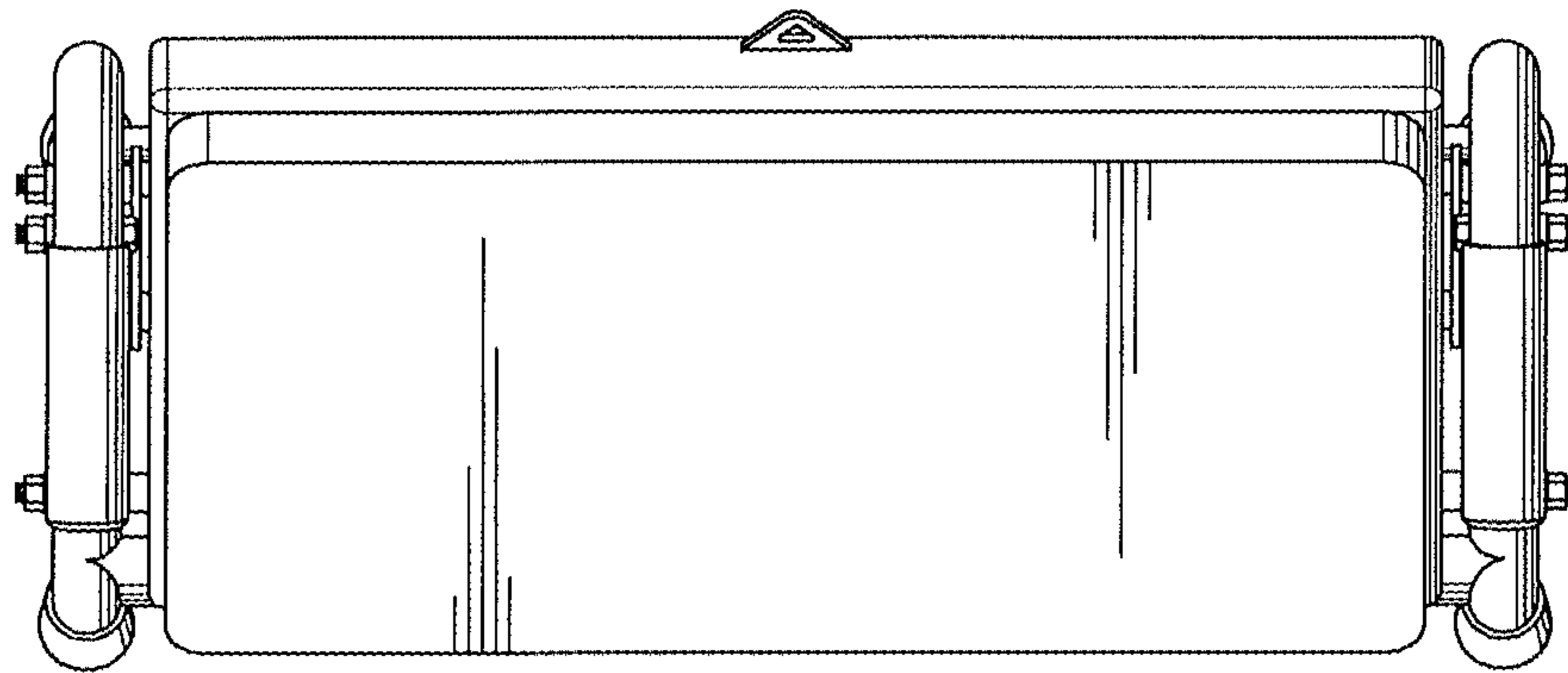


Fig. 10