



US00D749864S

(12) **United States Design Patent**
Cohen

(10) **Patent No.:** **US D749,864 S**

(45) **Date of Patent:** **** Feb. 23, 2016**

(54) **STOOL**

(71) Applicant: **Howard Cohen**, Indialantic, FL (US)

(72) Inventor: **Howard Cohen**, Indialantic, FL (US)

(**) Term: **14 Years**

(21) Appl. No.: **29/507,056**

(22) Filed: **Oct. 23, 2014**

(51) **LOC (10) Cl.** **06-01**

(52) **U.S. Cl.**

USPC **D6/352**; D6/692.1

(58) **Field of Classification Search**

USPC D6/333, 335, 340, 344, 347, 349–355,
D6/358, 360, 363–365, 381, 596, 601, 648,
D6/662.1, 677, 685, 687, 688.15, 688.27,
D6/688, 690, 691–692.3, 695.1, 708.16,
D6/708.2, 709, 709.2, 709.22, 711,
D6/716–716.7, 717; D25/63–65

CPC A47C 1/14; A47C 3/16–3/20; A47C 4/00;
A47C 4/28; A47C 5/02; A47C 5/04; A47C
5/043; A47C 7/00–7/006; A47C 7/02; A47C
9/00; A47C 9/02; A47C 9/002; A47C 9/007;
A47C 9/025; A47C 9/10; A47C 11/00;
A47C 12/00; A47C 13/00; A47C 16/02;
A47B 7/00–7/02; A47B 45/00; A47B
47/04–47/045; A47B 3/12

See application file for complete search history.

(56) **References Cited**

U.S. PATENT DOCUMENTS

D304,135 S * 10/1989 Mergenov D6/692.2
D400,741 S * 11/1998 Schubert D6/692

D450,941 S * 11/2001 Spitler D6/349
D461,342 S * 8/2002 Spitler D6/688
D466,728 S * 12/2002 Cain D6/692.1
D467,742 S * 12/2002 de Blois D6/349
D523,251 S * 6/2006 Parpala D6/352
D606,337 S * 12/2009 Lee D6/349
D640,878 S * 7/2011 Huang D6/350
D650,600 S * 12/2011 Hsu D6/349

OTHER PUBLICATIONS

Saso, Leisure Bench Sutton Round Teak Coffee Table, Website downloaded Mar. 20, 2015, leisure-bench-sutton-round-teak-coffee-table.

Country Casual, Seneca Spa Stool, Website downloaded Mar. 20, 2015, <http://www.countrycasual.com/teak-spa-stool-seneca-8535#details>.

* cited by examiner

Primary Examiner — Susan Bennett Hattan

Assistant Examiner — Vy Koenig

(74) *Attorney, Agent, or Firm* — Stephen C. Thomas

(57)

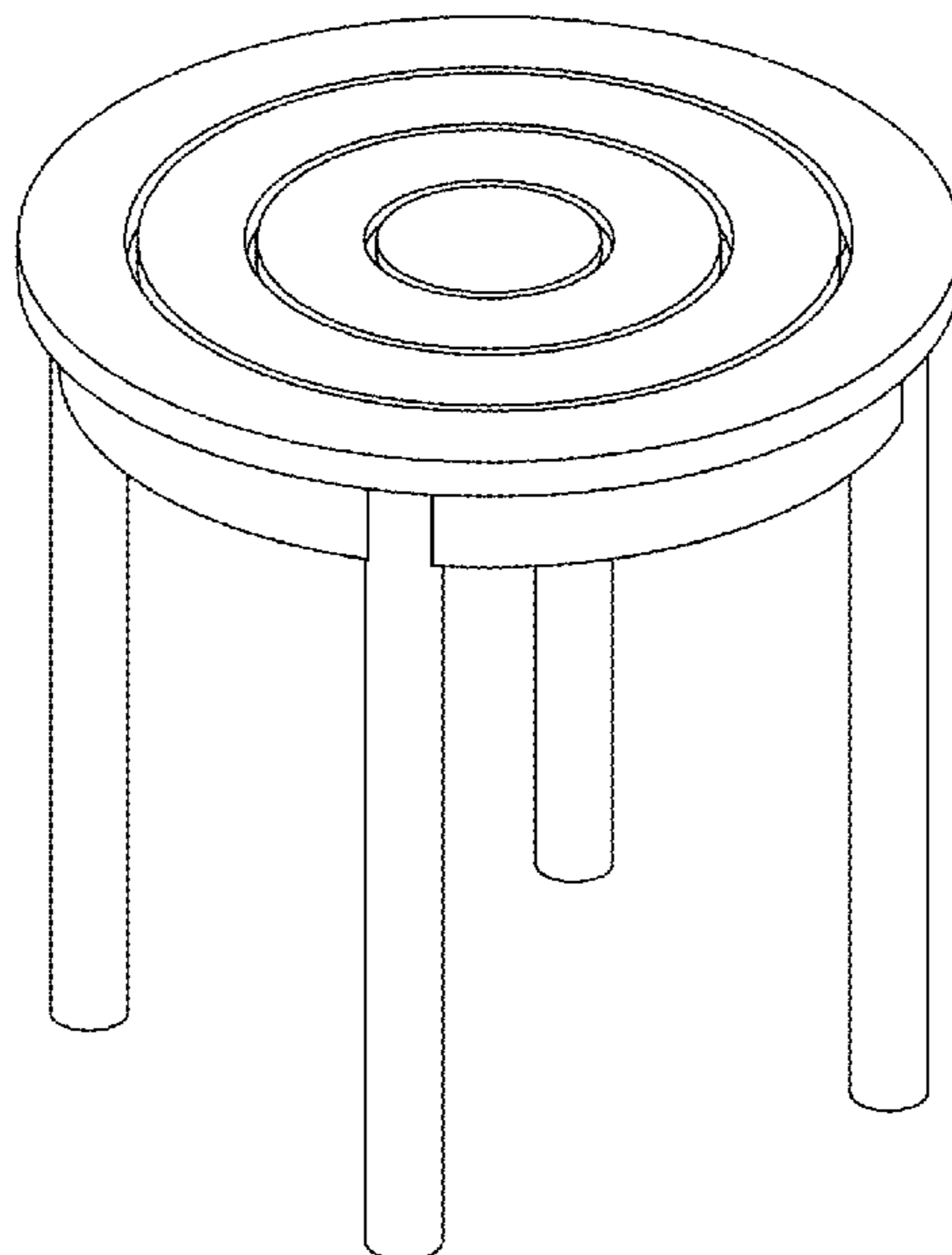
CLAIM

The ornamental design for a stool, as shown and described.

DESCRIPTION

FIG. 1 depicts a perspective view of the stool of the invention. FIG. 2 depicts a front view of the stool of the invention. FIG. 3 depicts a left side view of the stool of the invention. FIG. 4 depicts a right side view of the stool of the invention. FIG. 5 depicts a top view of the stool of the invention; and, FIG. 6 depicts a bottom view of the stool of the invention. The broken lines depicted in the drawings depict environmental features that form no part of the claimed design.

1 Claim, 6 Drawing Sheets



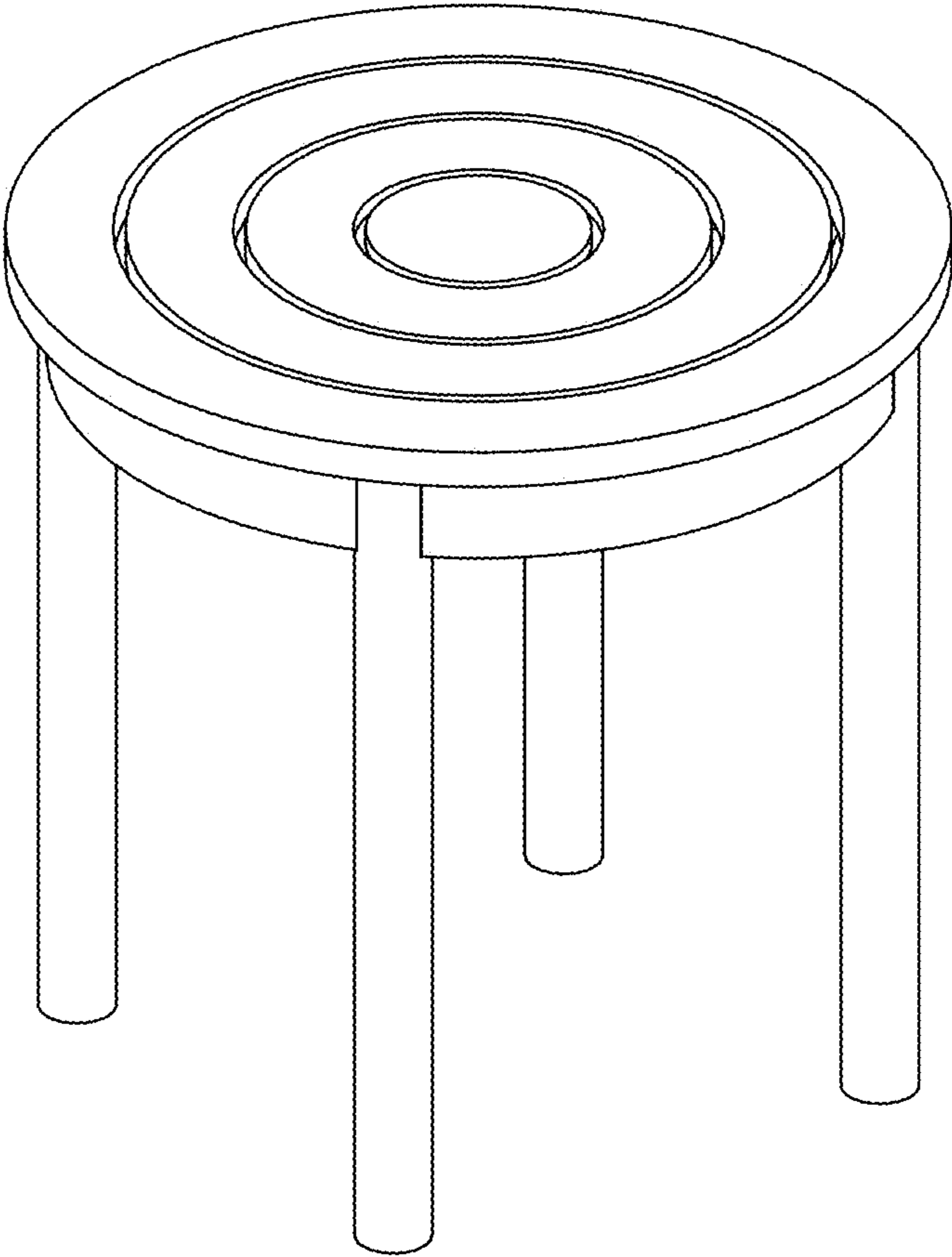


Fig. 1

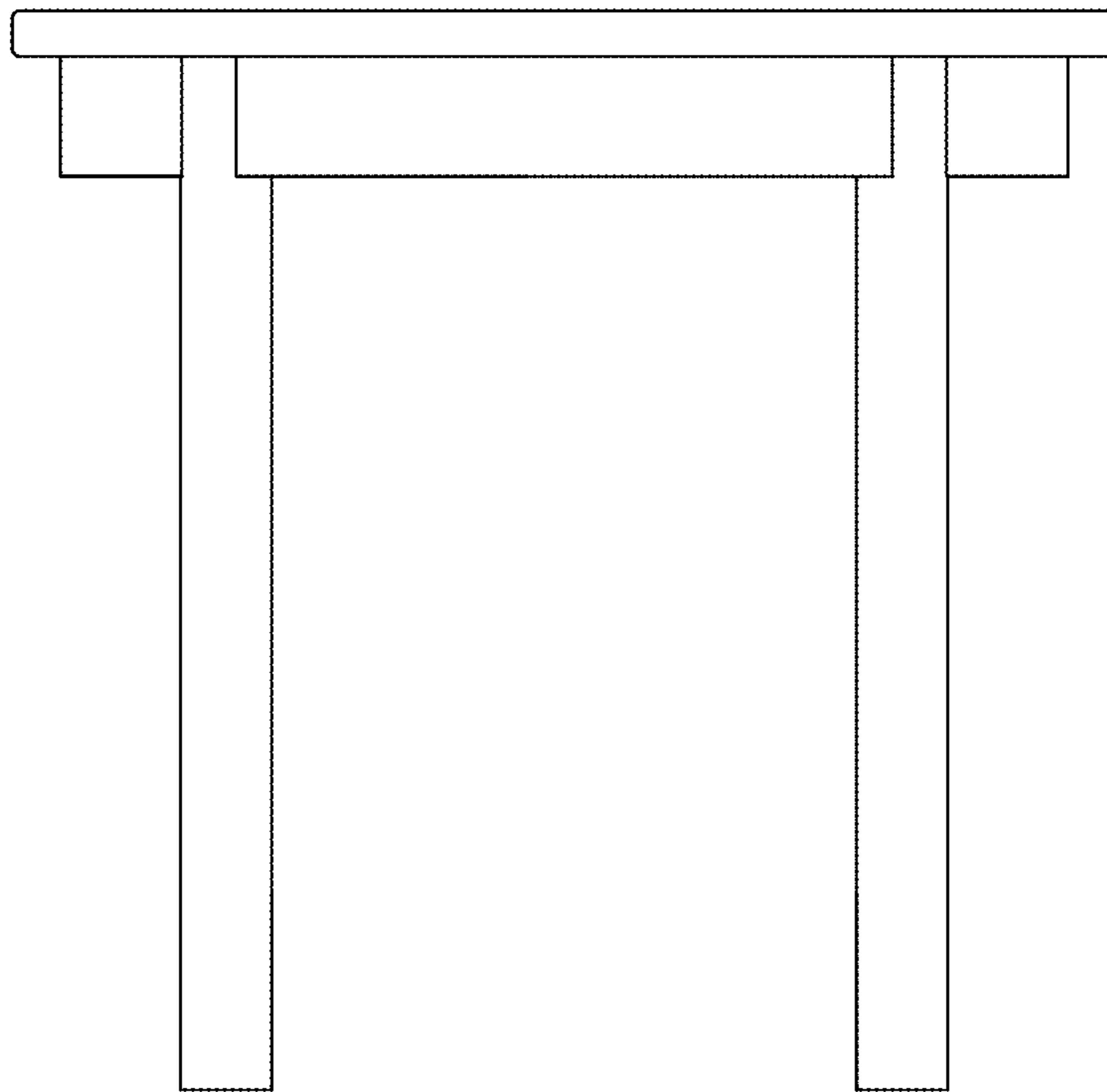


Fig. 2

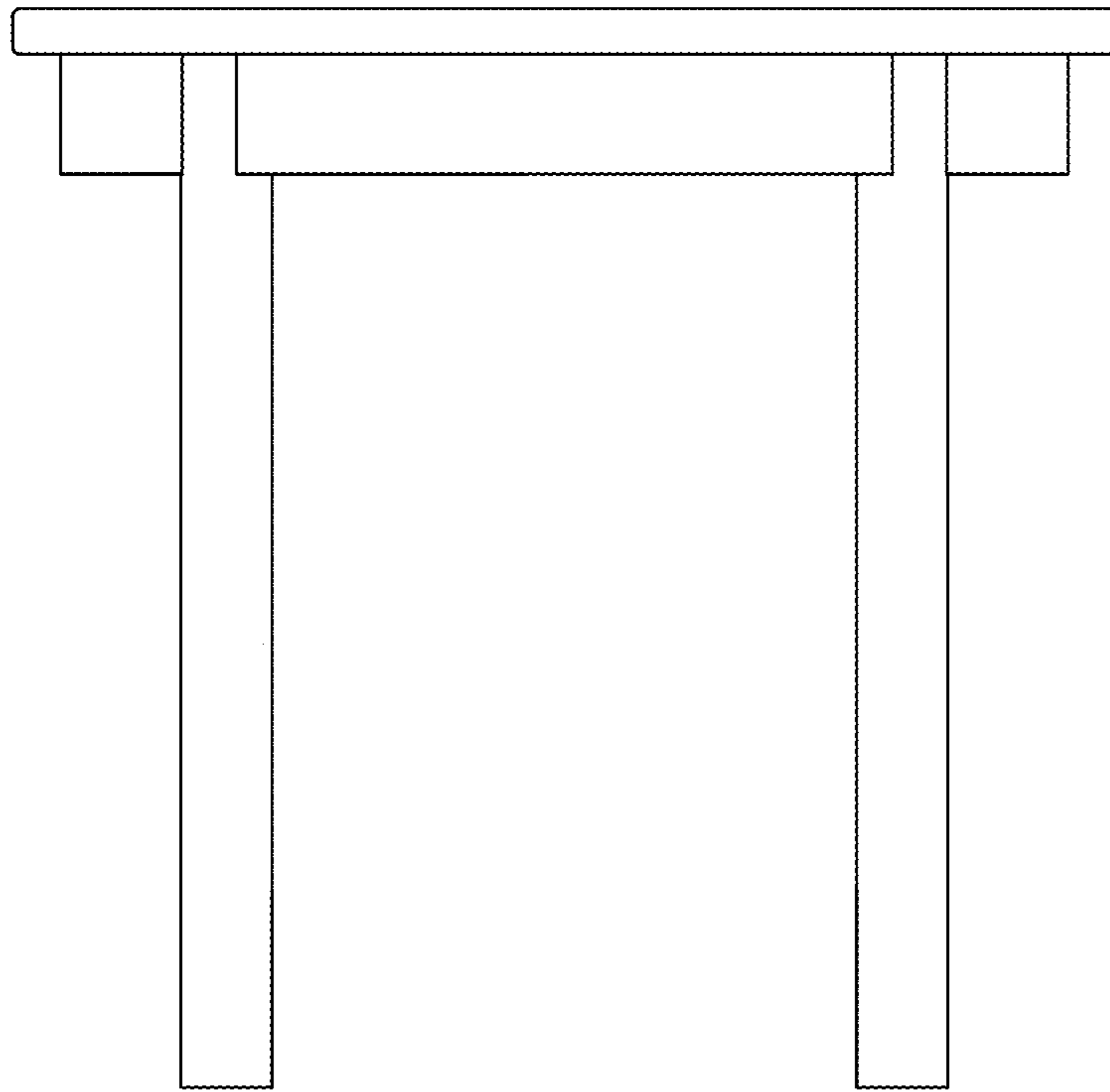


Fig. 3

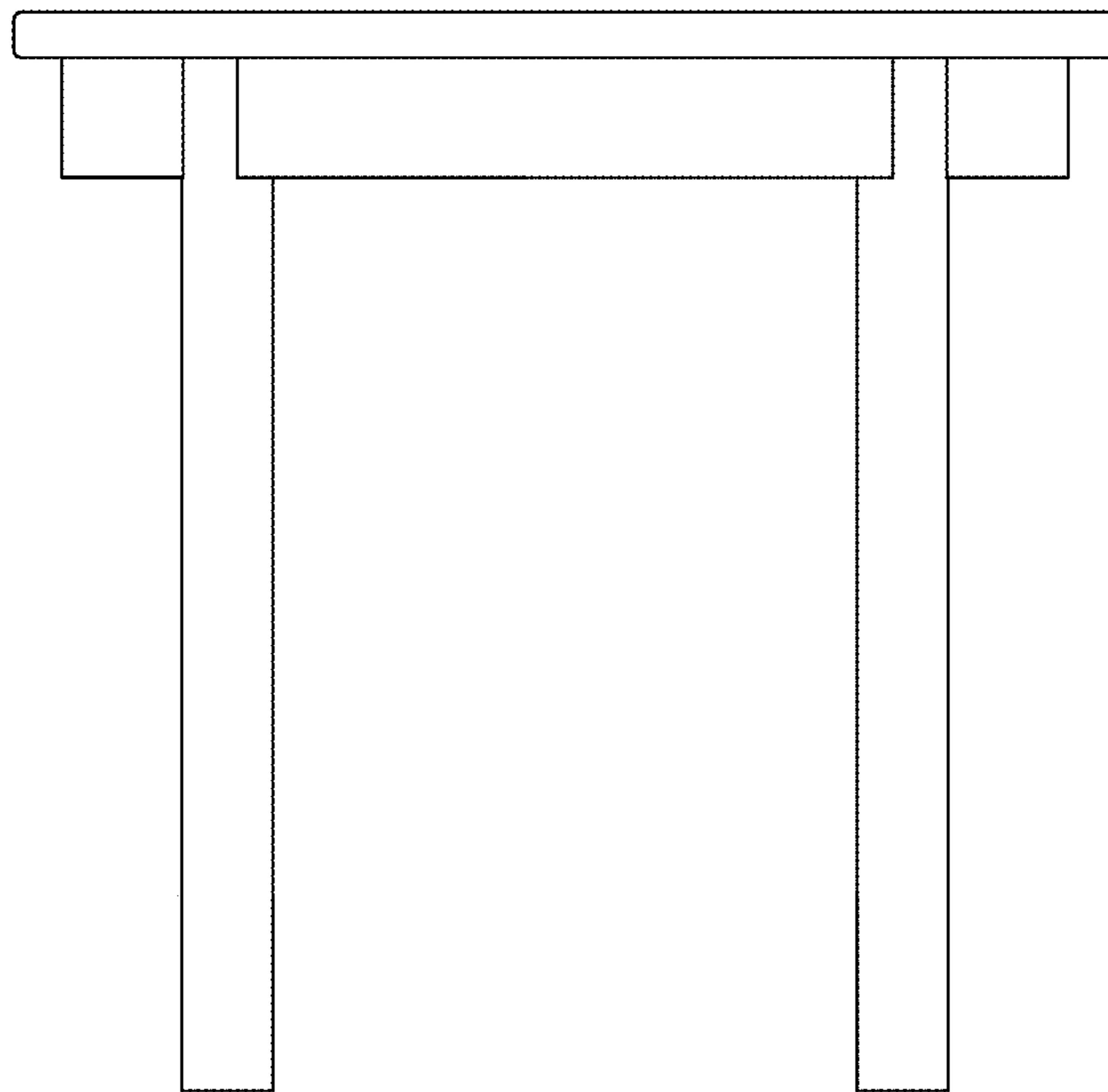


Fig. 4

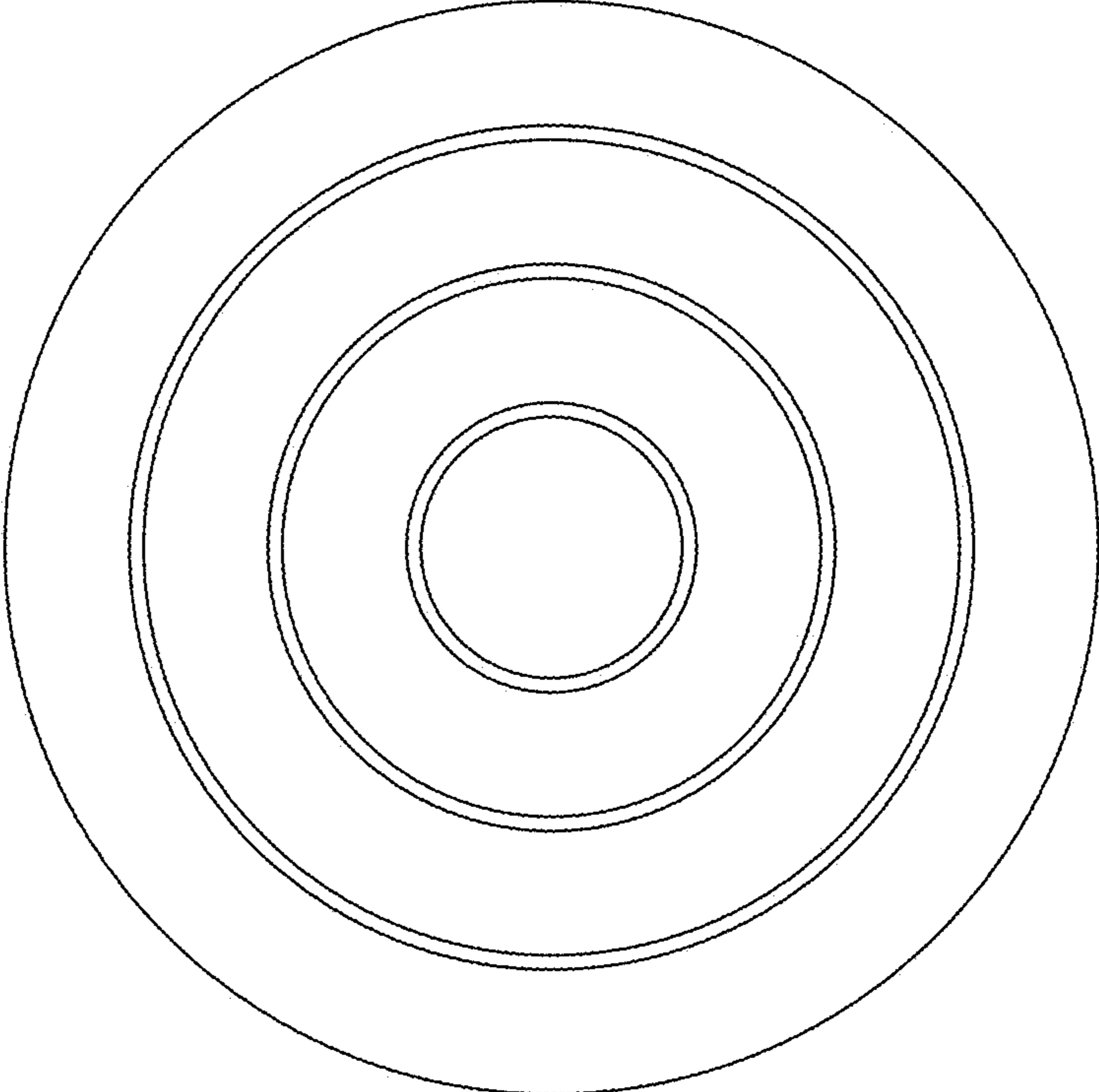


Fig. 5

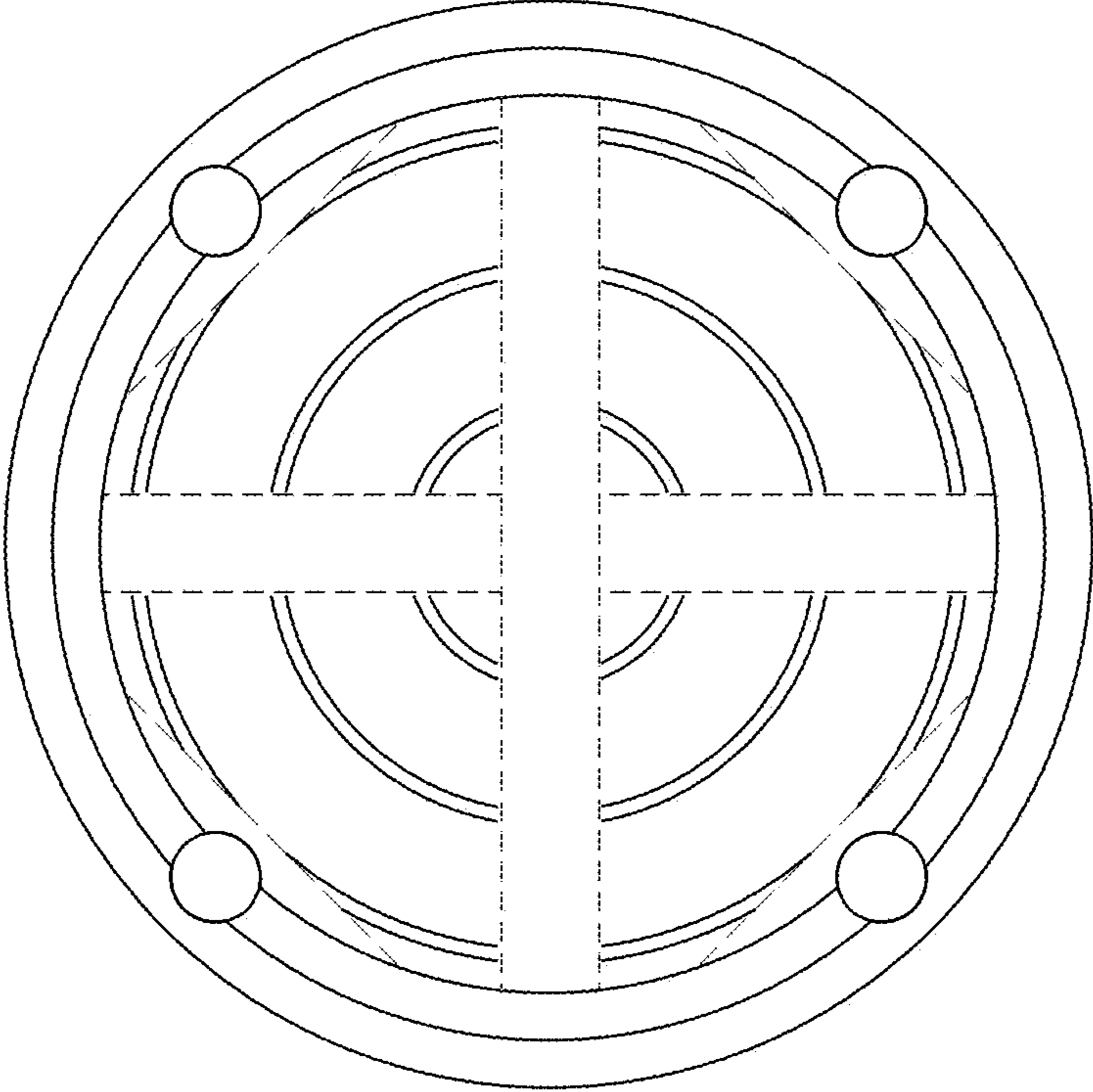


Fig. 6