



US00D749863S

(12) **United States Design Patent**
Cohen

(10) **Patent No.:** **US D749,863 S**
(45) **Date of Patent:** **** Feb. 23, 2016**

- (54) **STOOL**
- (71) Applicant: **Howard Cohen**, Indialantic, FL (US)
- (72) Inventor: **Howard Cohen**, Indialantic, FL (US)
- (**) Term: **14 Years**
- (21) Appl. No.: **29/507,181**
- (22) Filed: **Oct. 24, 2014**
- (51) **LOC (10) Cl.** **06-01**
- (52) **U.S. Cl.**
USPC **D6/349; D6/692.1**
- (58) **Field of Classification Search**
USPC D6/333, 335, 340, 344, 347, 349–355,
D6/358, 360, 363–365, 381, 596, 662.1,
D6/677, 685, 687, 688.15, 688.27, 688,
D6/690, 691–692.3, 695.1, 708.16, 708.2,
D6/709, 709.2, 709.22, 711, 716–716.7,
D6/717; D25/63–65
CPC A47C 1/14; A47C 3/16–3/20; A47C 4/00;
A47C 4/28; A47C 5/02; A47C 5/04; A47C
5/043; A47C 7/00–7/006; A47C 7/02; A47C
9/00; A47C 9/02; A47C 9/002; A47C 9/007;
A47C 9/025; A47C 9/10; A47C 11/00;
A47C 12/00; A47C 13/00; A47C 16/02;
A47B 7/00–7/02; A47B 45/00; A47B
47/04–47/045; A47B 3/12
See application file for complete search history.

(56) **References Cited**

U.S. PATENT DOCUMENTS

- D93,059 S * 8/1934 Walker 108/27
- D93,307 S * 9/1934 Treitel 108/92
- D304,135 S * 10/1989 Mergenov D6/692.2
- D400,741 S * 11/1998 Schubert D6/692
- D406,969 S * 3/1999 Lewis D6/349
- D457,356 S * 5/2002 Wistehuff, Sr. D6/692

- D461,342 S * 8/2002 Spitler D6/688
- D466,728 S * 12/2002 Cain D6/692.1
- D467,742 S * 12/2002 de Blois D6/349
- D547,571 S * 7/2007 Goldstein D6/692.1
- D552,893 S * 10/2007 Everson D6/692.6
- D606,337 S * 12/2009 Lee D6/349

OTHER PUBLICATIONS

The Original 18" Round Omega Teak & Stainless Shower Bench with Shelf. [online] Retrieved Sep. 28, 2015 from URL: <<http://www.aquateak.com/circular-shower-benches-stools/omega-stainless-and-teak-shower-bench-with-shelf-from-the-circular-collection/>>.*
Frontgate, Spa teak Round Shower Seat, Website downloaded Mar. 20, 2015, <http://www.frontgate.com/spa-teak-round-shower-seat/494745?redirect=y>.

* cited by examiner

Primary Examiner — Susan Bennett Hattan
Assistant Examiner — Vy Koenig
(74) *Attorney, Agent, or Firm* — Stephen C. Thomas

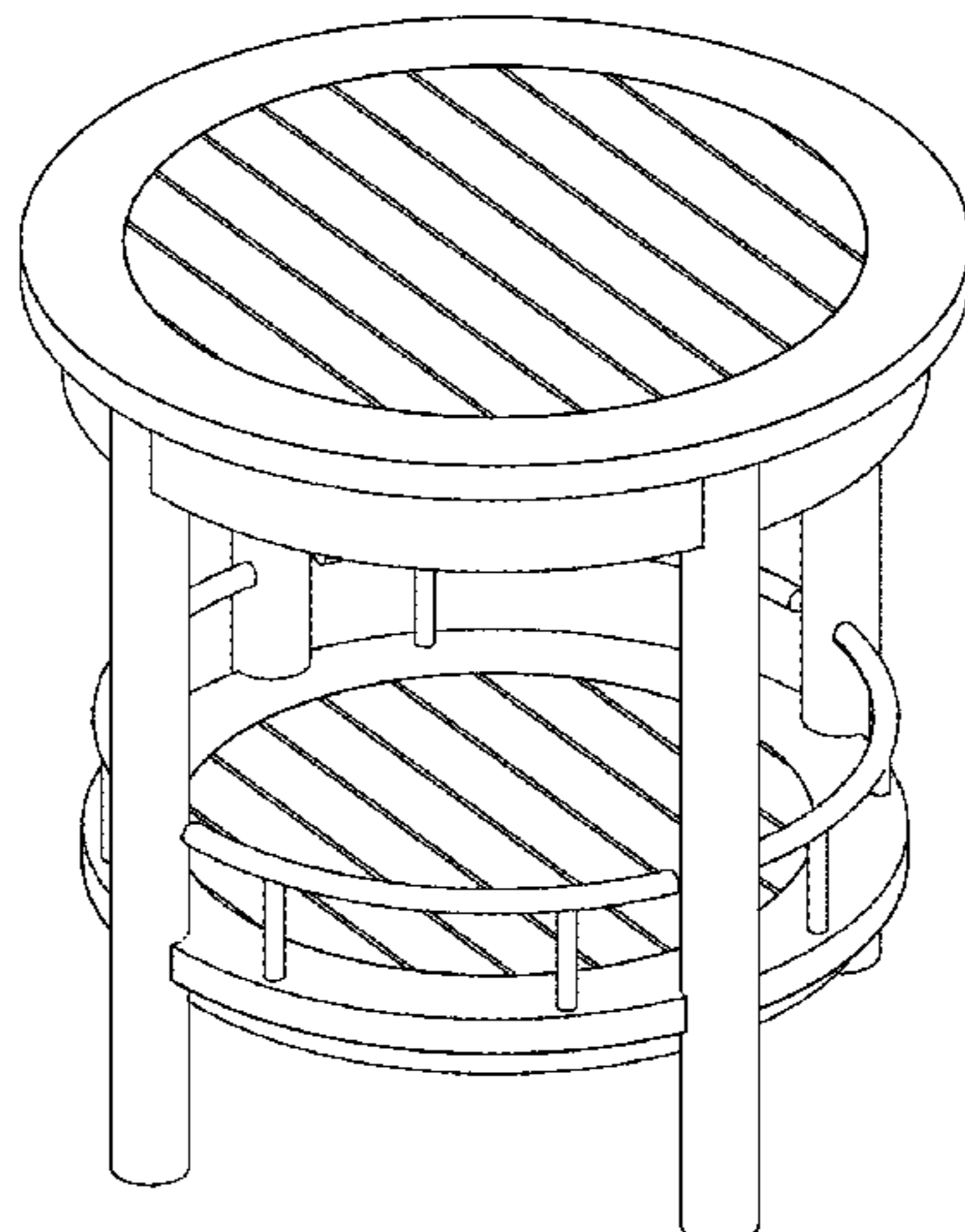
(57) **CLAIM**

The ornamental design for a stool, as shown and described.

DESCRIPTION

FIG. 1 depicts a perspective view of the stool of the invention. FIG. 2 depicts a underneath perspective view of the stool of the invention. FIG. 3 depicts a left side view of the stool of the invention. FIG. 4 depicts a right side view of the stool of the invention. FIG. 5 depicts a front view of the stool of the invention. FIG. 6 depicts a top view of the stool of the invention; and, FIG. 7 depicts a bottom view of the stool of the invention. The accompanying drawings, which are incorporated into and form a part of the specification, illustrate the present invention. The broken lines depicted in the drawings depict environmental features that form no part of the claimed design.

1 Claim, 7 Drawing Sheets



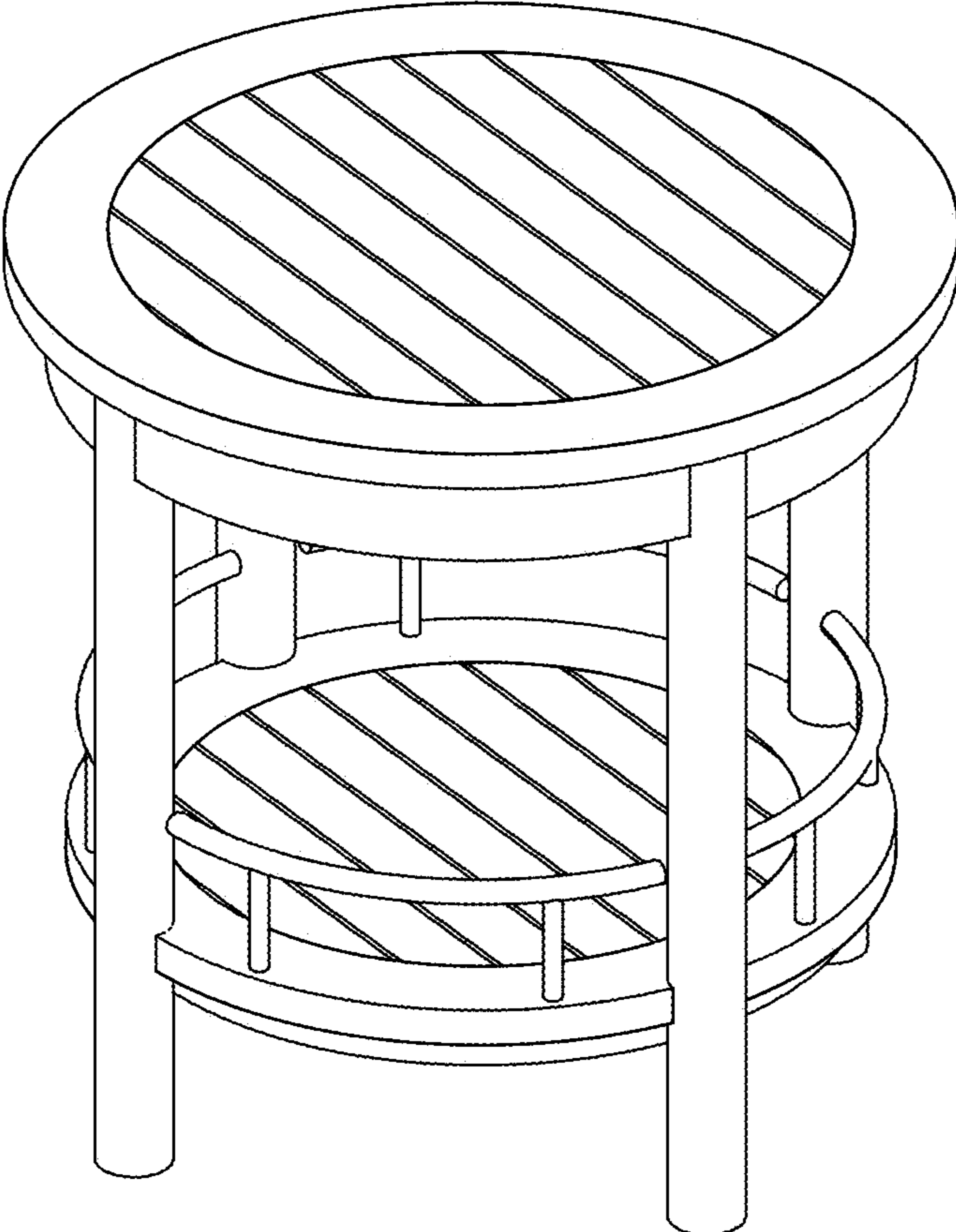


Fig. 1

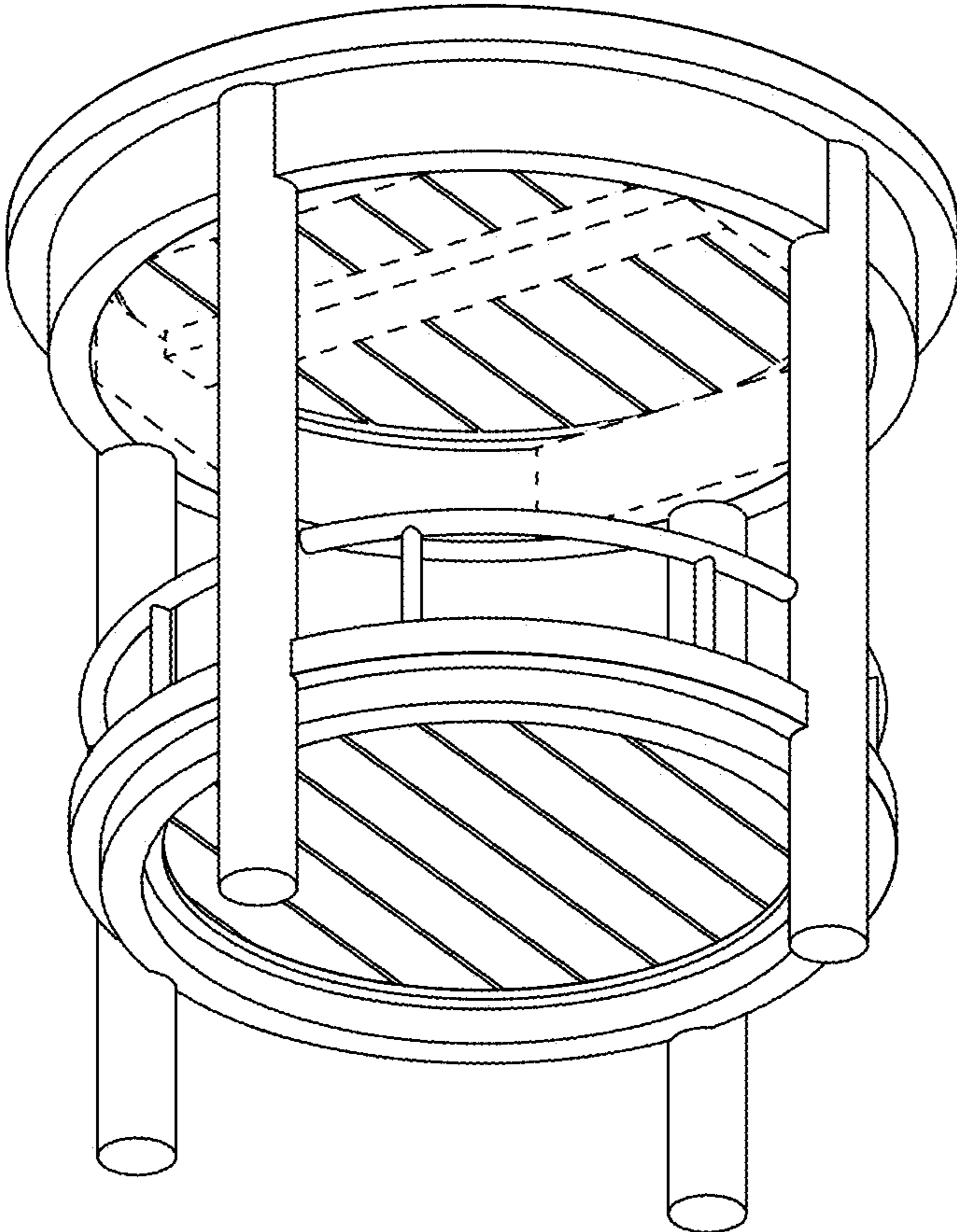


Fig. 2

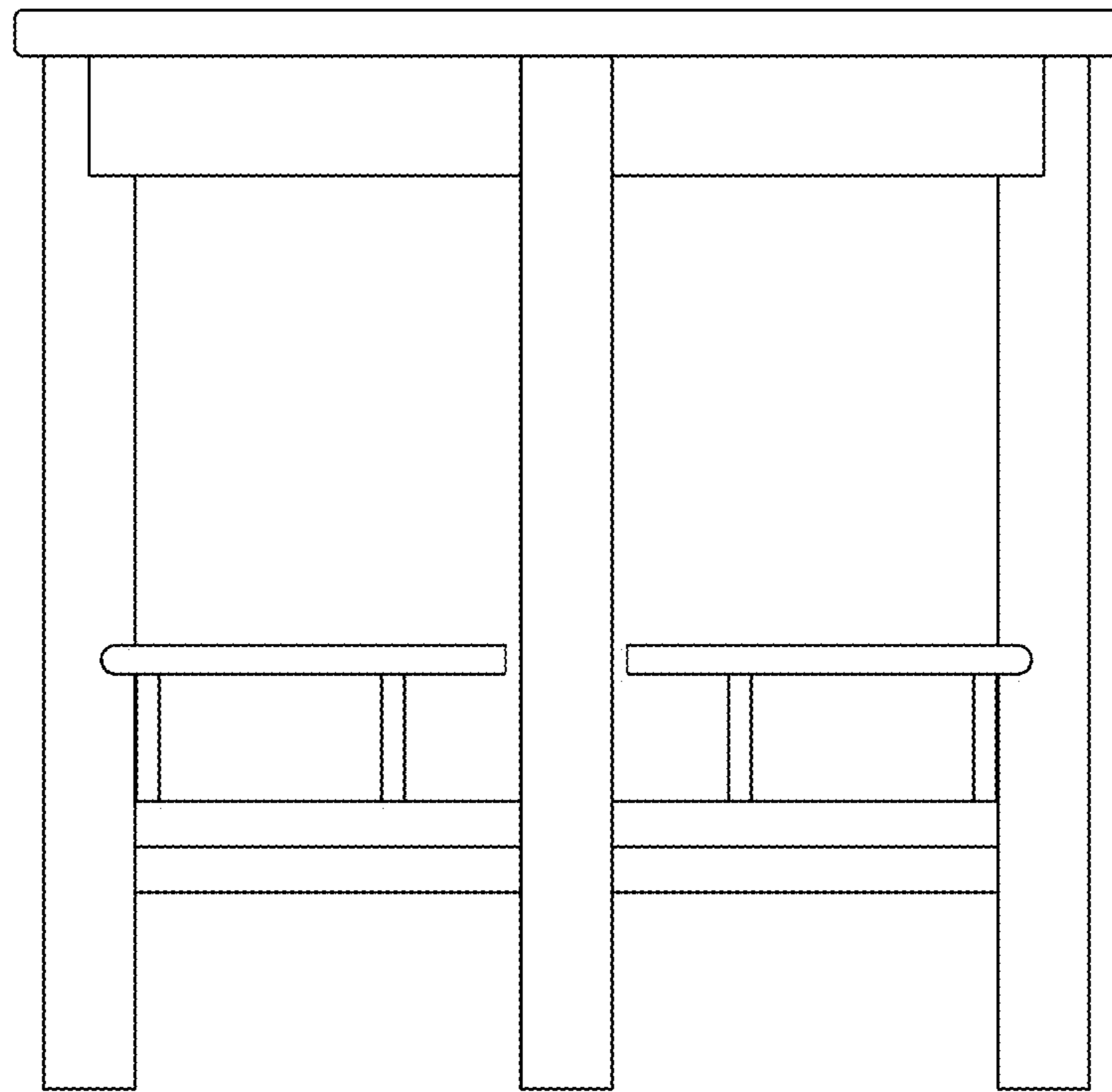


Fig. 3

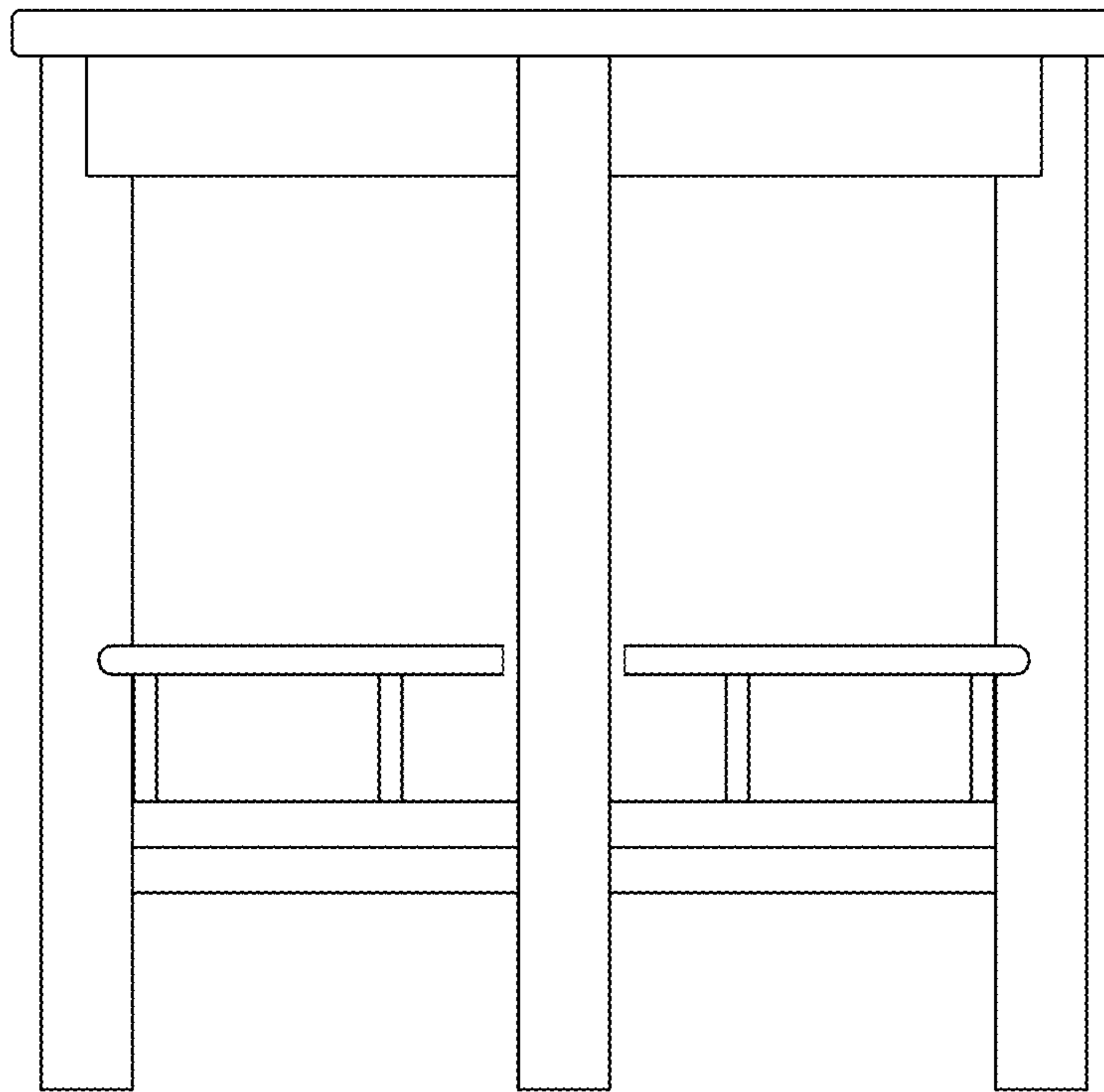


Fig. 4

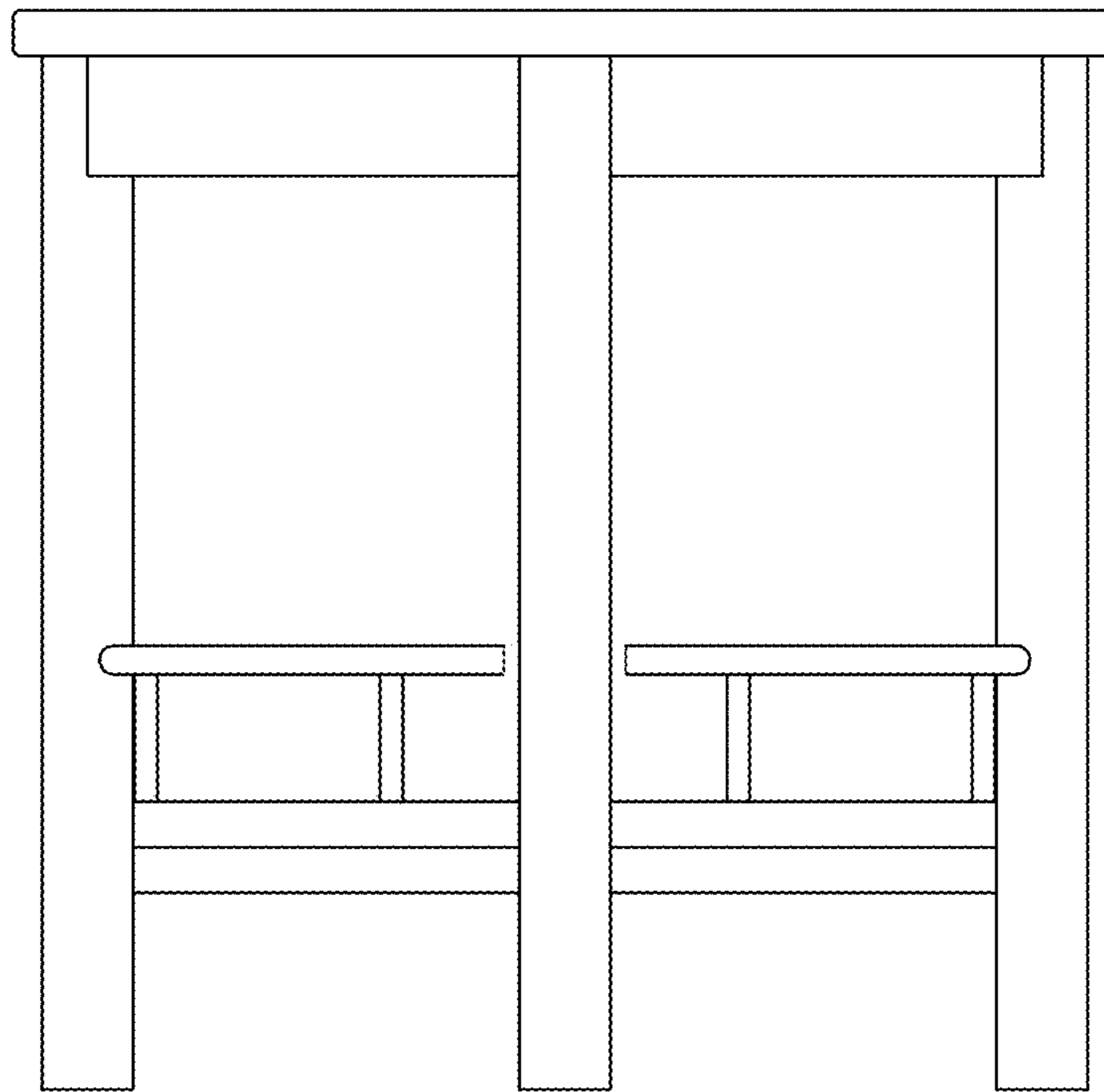


Fig. 5

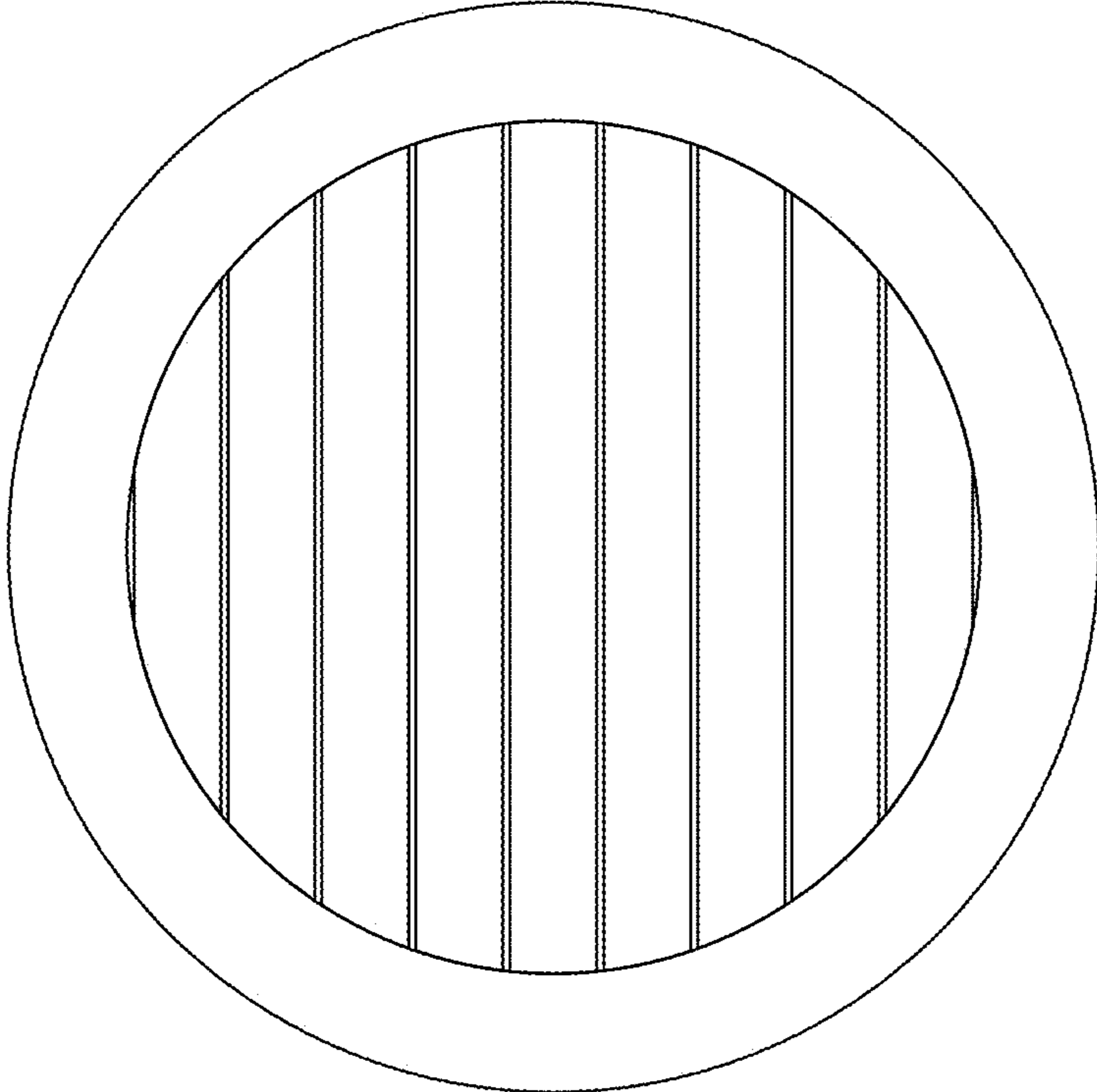


Fig. 6

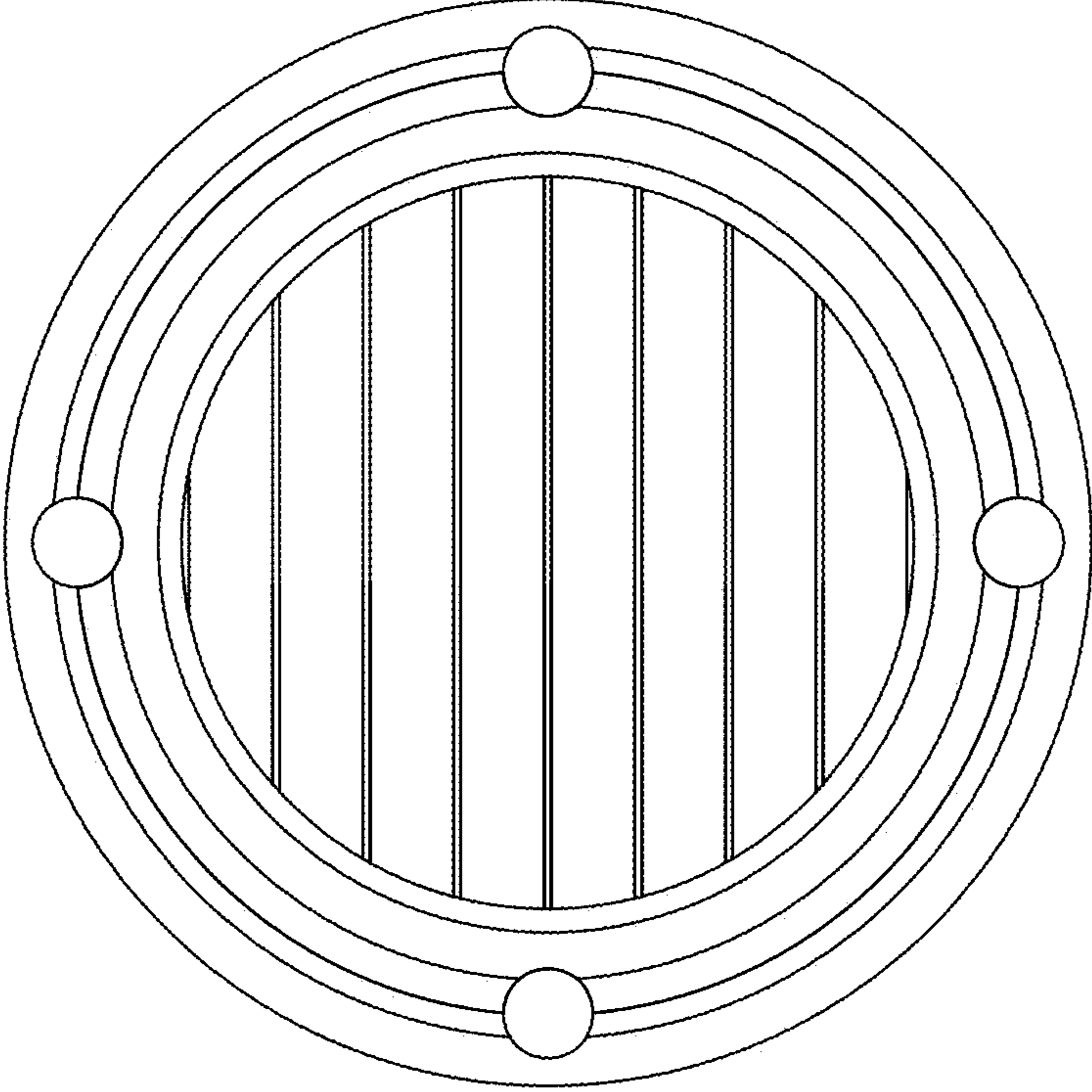


Fig. 7