



US00D749862S

(12) **United States Design Patent**
Polk-Kuku

(10) **Patent No.:** **US D749,862 S**
(45) **Date of Patent:** **** Feb. 23, 2016**

(54) **SET OF COMPONENTS FOR A BENCH WITH ACCESSORIES**

(71) Applicant: **Iris Polk-Kuku**, Plainfield, NJ (US)

(72) Inventor: **Iris Polk-Kuku**, Plainfield, NJ (US)

(**) Term: **14 Years**

(21) Appl. No.: **29/493,441**

(22) Filed: **Jun. 10, 2014**

(51) **LOC (10) Cl.** **06-01**

(52) **U.S. Cl.**
USPC **D6/349**

(58) **Field of Classification Search**

USPC D6/333, 335, 340, 344, 347, 349–355,
D6/358, 360, 363–365, 381, 406.6, 596,
D6/601, 648, 662.1, 675, 677, 685–687,
D6/688.15, 688.27, 690, 691, 691.8,
D6/692.1–692.3, 695.1, 708.16, 708.2,
D6/709, 709.2, 709.22, 711, 716–716.7,
D6/717; D25/63–65

CPC A47C 1/14; A47C 3/16–3/20; A47C 4/00;
A47C 4/28; A47C 5/02; A47C 5/04; A47C
5/043; A47C 7/00–7/006; A47C 7/02; A47C
9/00; A47C 9/02; A47C 9/002; A47C 9/007;
A47C 9/025; A47C 9/10; A47C 11/00;
A47C 12/00; A47C 13/00; A47C 16/02;
A47B 7/00–7/02; A47B 45/00; A47B
47/04–47/045; A47B 3/12

See application file for complete search history.

(56) **References Cited**

U.S. PATENT DOCUMENTS

D96,013 S * 6/1935 Bowersox D6/349
3,668,722 A 6/1972 Gallant

3,855,652 A	12/1974	Nicholson	
D247,594 S *	3/1978	Corson et al.	D6/349
D268,784 S	4/1983	Forseth	
4,571,761 A	2/1986	Perlin	
D330,274 S *	10/1992	Smith et al.	D30/108
5,443,532 A	8/1995	Hudak	
D524,563 S *	7/2006	Conway	D6/349
D553,867 S *	10/2007	Williams et al.	D6/335
D639,083 S *	6/2011	Martin	D6/381
D659,415 S	5/2012	Soto	
D674,616 S *	1/2013	Frankel	D6/349
D688,475 S *	8/2013	Blet et al.	D6/349
D699,456 S *	2/2014	Bosman	D6/349
D717,554 S *	11/2014	Kapka et al.	D6/349
D720,142 S *	12/2014	Nigro	D6/349
2003/0233707 A1	12/2003	East	
2006/0081756 A1	4/2006	Hallett	

* cited by examiner

Primary Examiner — Susan Bennett Hattan
Assistant Examiner — Vy Koenig

(57) **CLAIM**

I claim the ornamental design for the set of components for a bench with accessories, as shown and described.

DESCRIPTION

FIG. 1 is a front view of the set of components for a bench with accessories.

FIG. 2 is a left side view of the claimed design.

FIG. 3 is a right side view of the claimed design.

FIG. 4 is a top view of the claimed design.

FIG. 5 is a bottom view of the claimed design; and,

FIG. 6 is a perspective view of the claimed design.

The broken lines shown in FIG. 5 of the drawings represent portions of the bench that from not part of the claimed design.

1 Claim, 6 Drawing Sheets

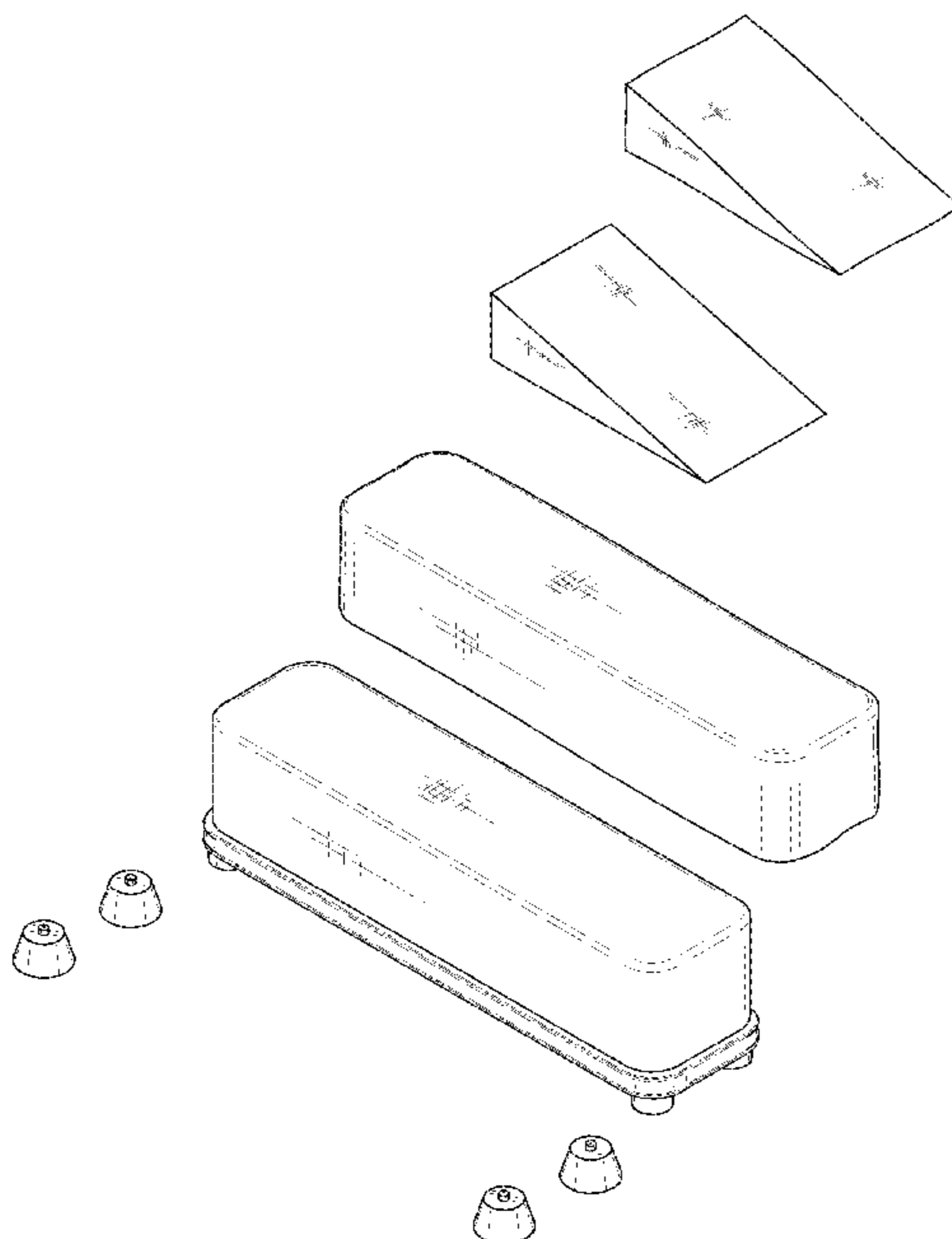
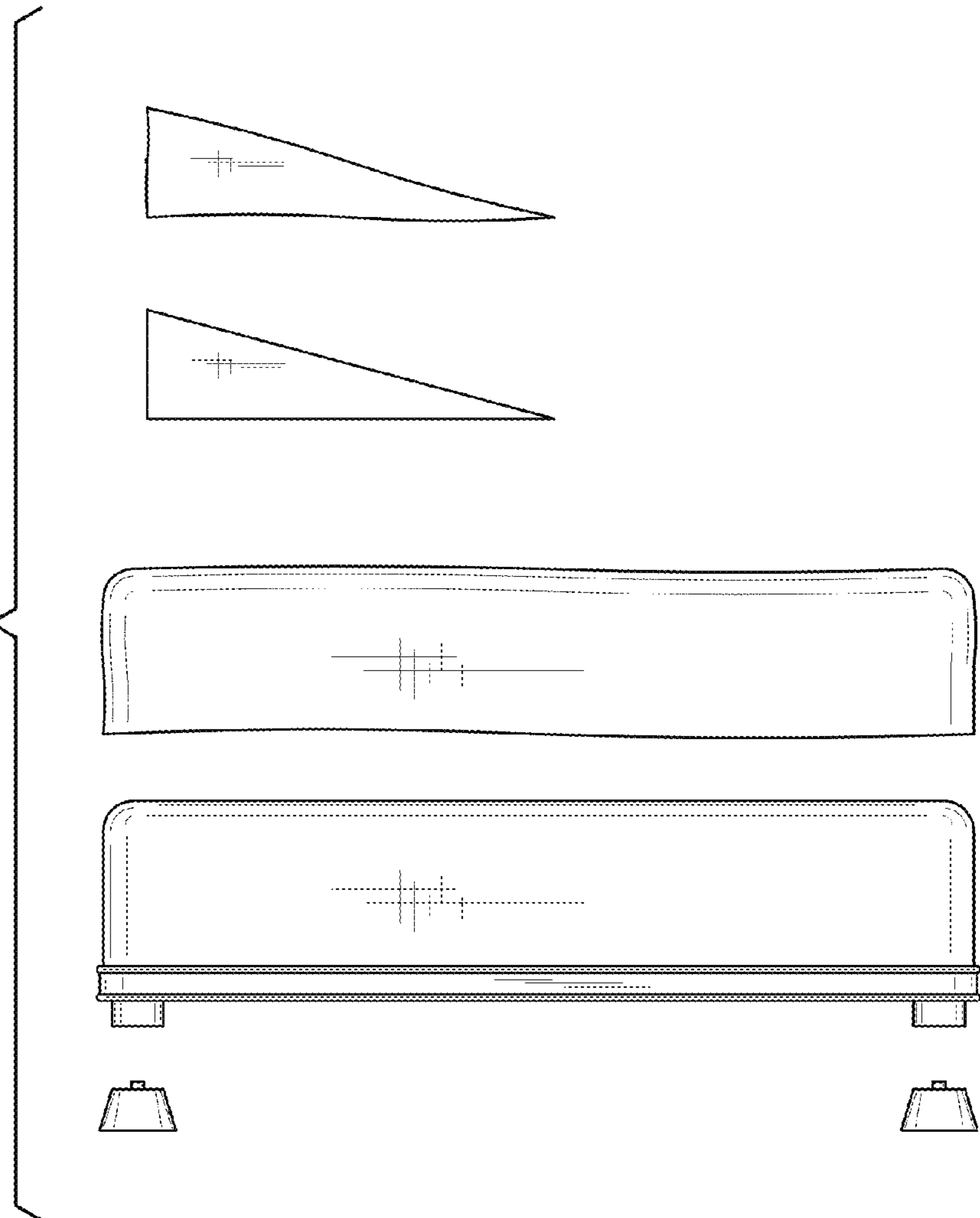


FIG. 1



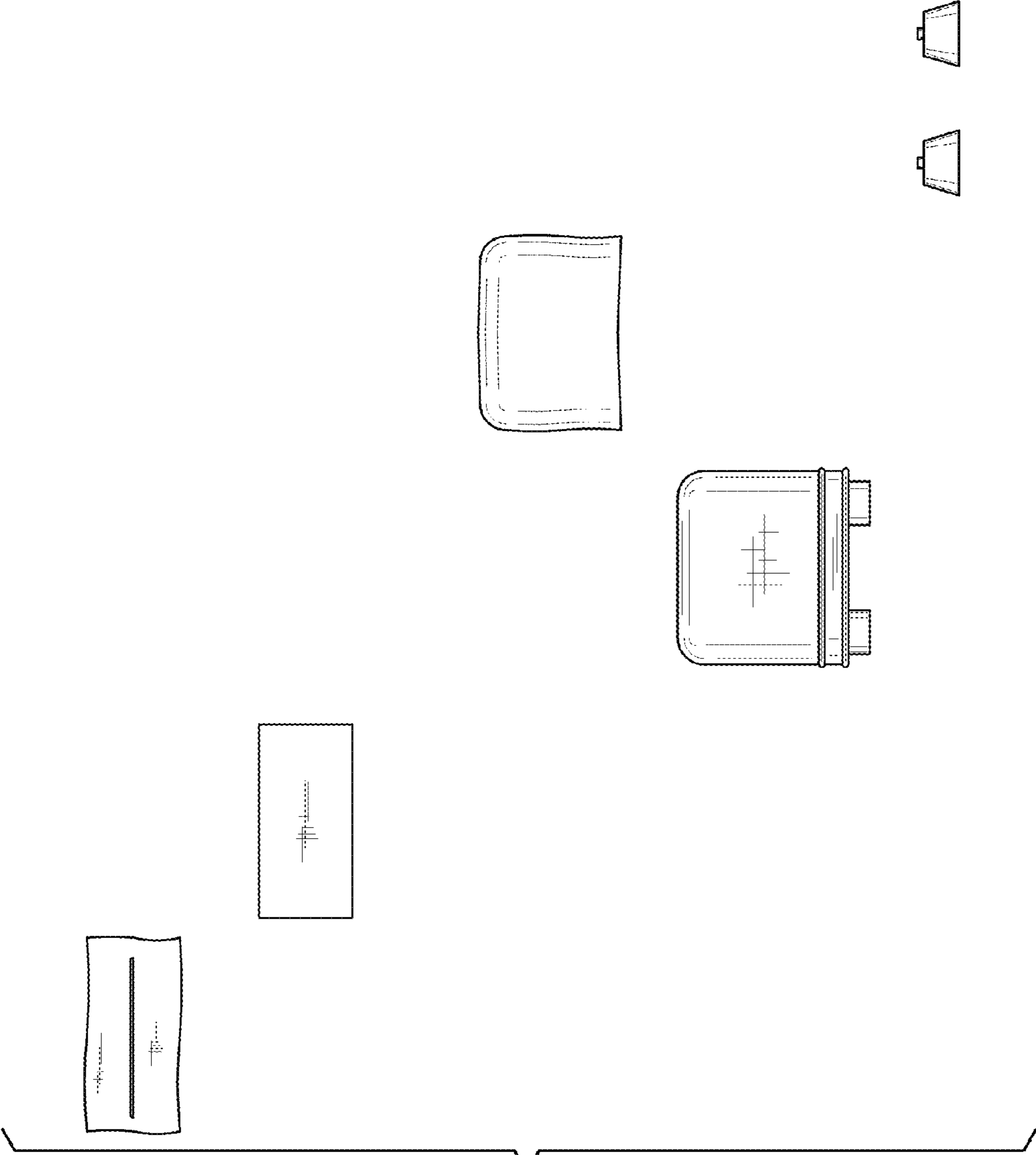


FIG. 2

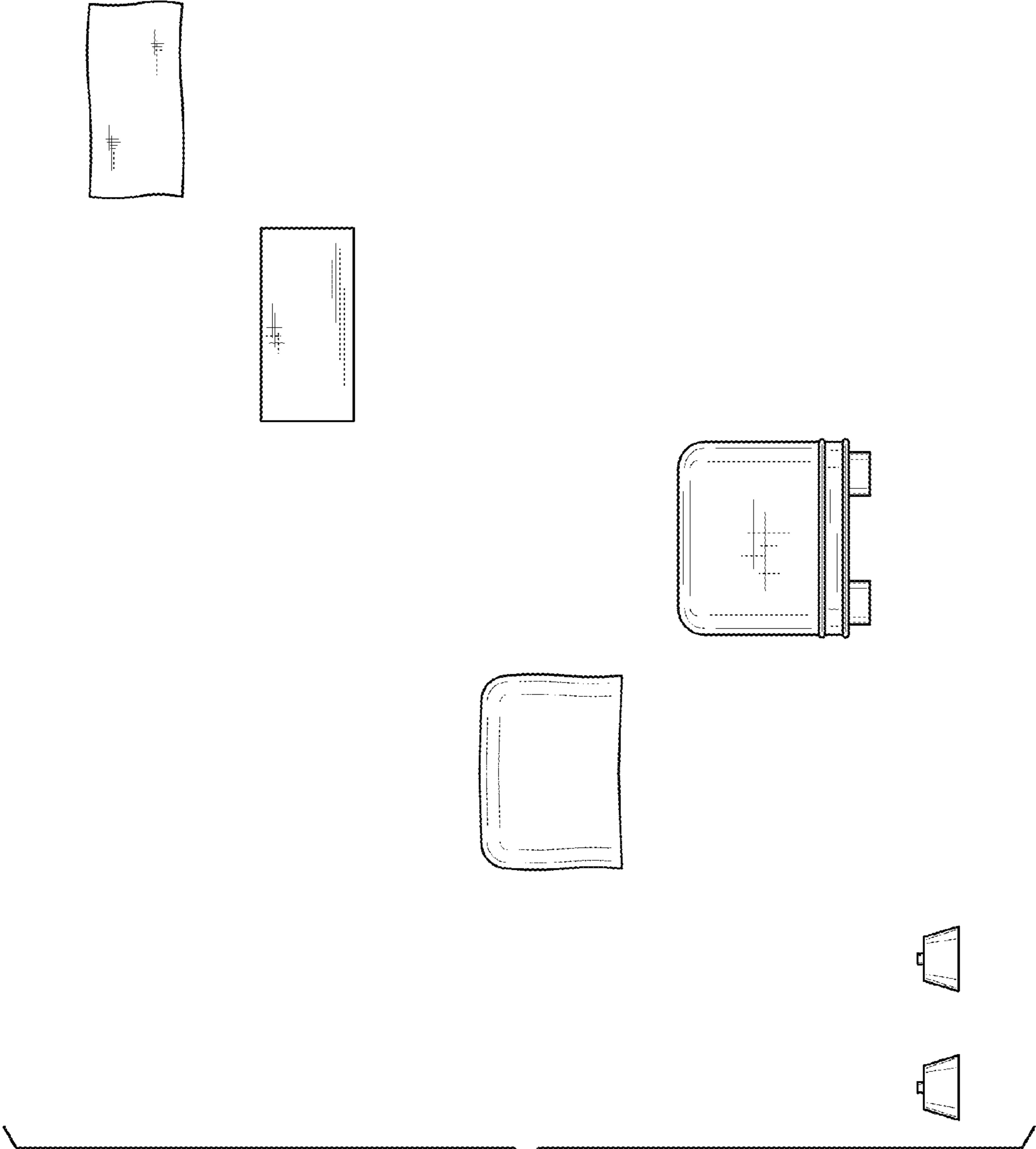


FIG. 3

FIG. 4

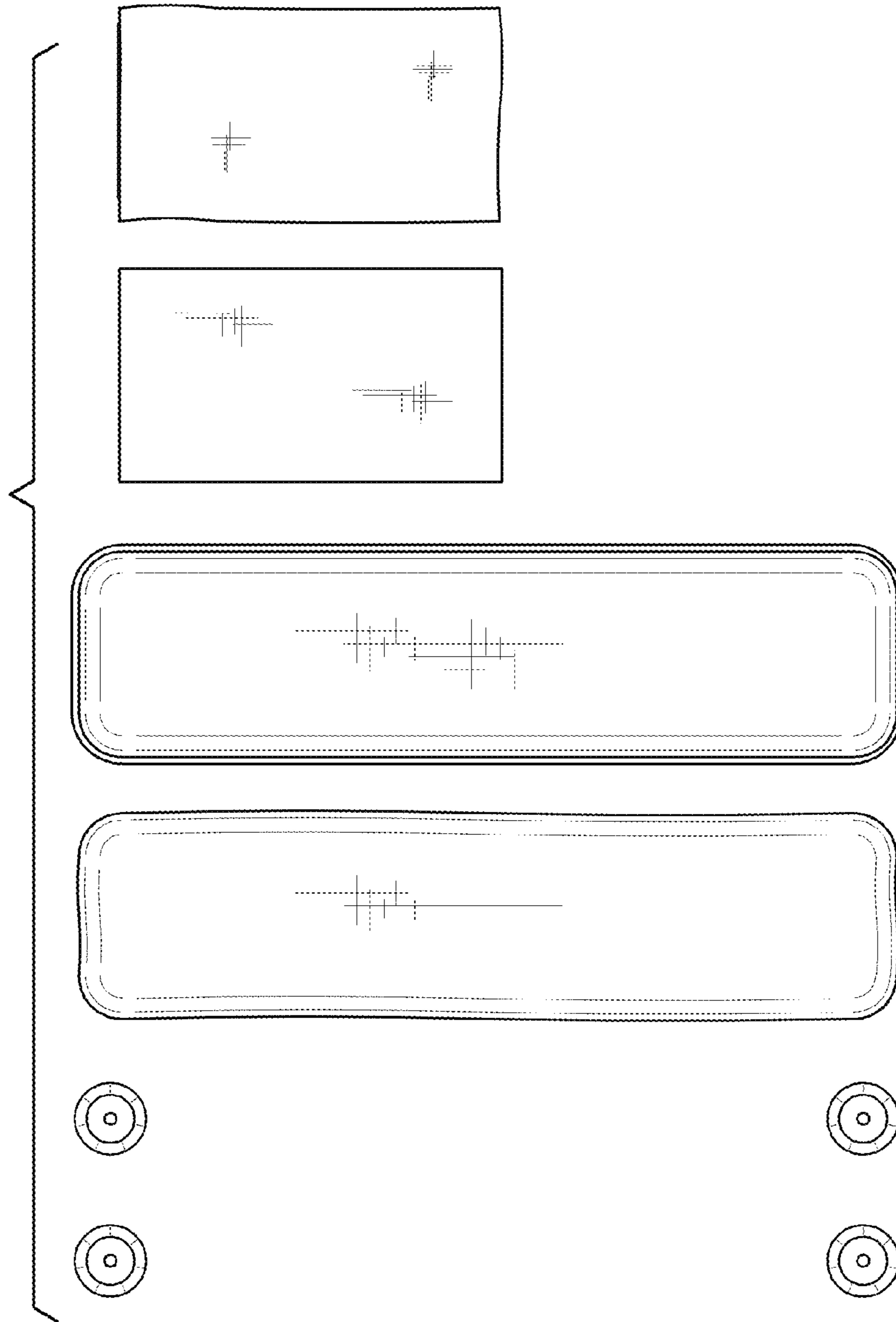


FIG. 5

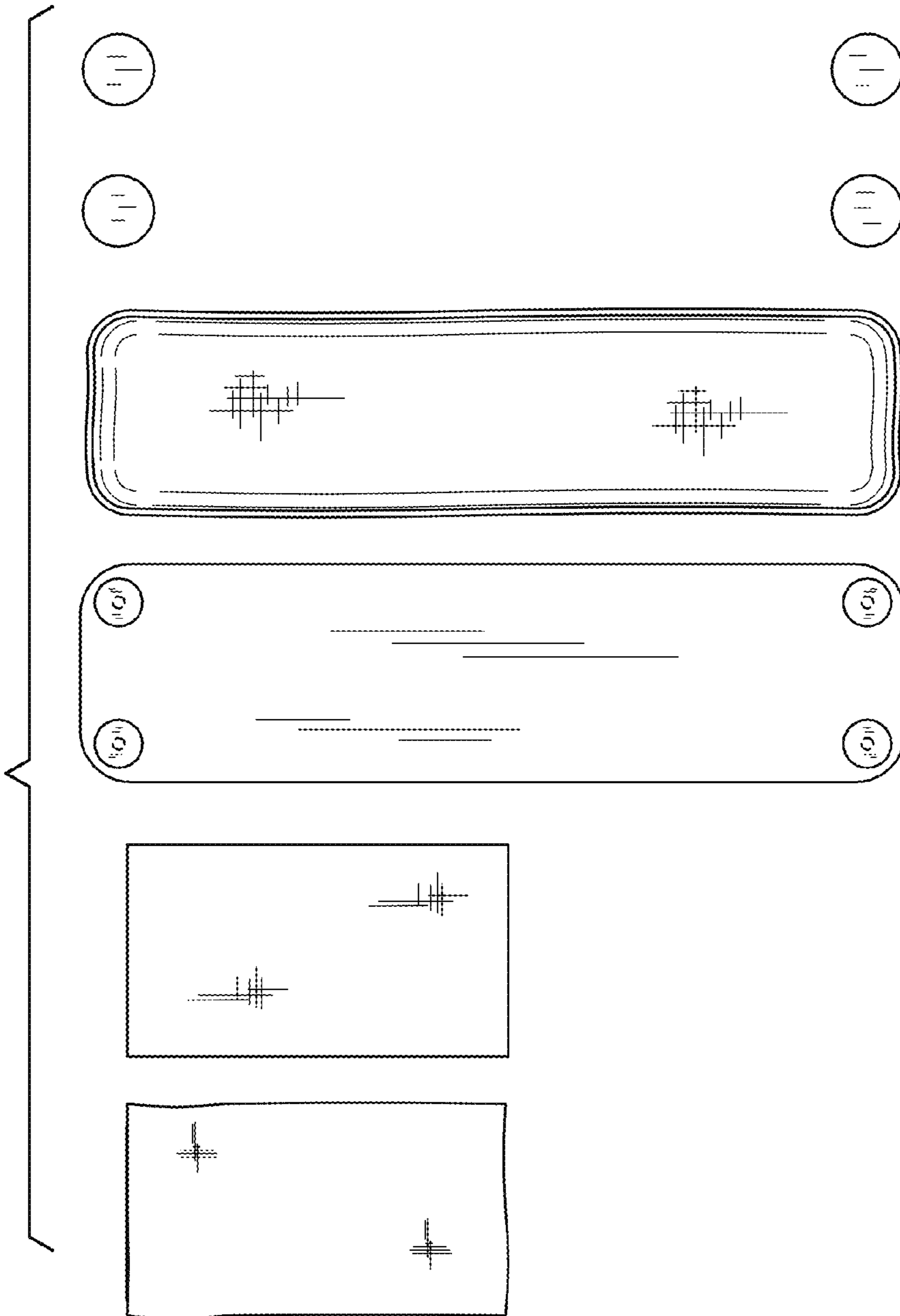


FIG. 6

