



US00D749861S

(12) **United States Design Patent**
Lawrence

(10) **Patent No.:** **US D749,861 S**
(45) **Date of Patent:** **** Feb. 23, 2016**

- (54) **BENCH**
- (71) Applicant: **Keystone Ridge Designs, Inc.**, Butler, PA (US)
- (72) Inventor: **Michael Bryan Lawrence**, Glenshaw, PA (US)
- (73) Assignee: **Keystone Ridge Designs, Inc.**, Butler, PA (US)
- (**) Term: **14 Years**
- (21) Appl. No.: **29/511,170**
- (22) Filed: **Dec. 8, 2014**
- (51) **LOC (10) Cl.** **06-01**
- (52) **U.S. Cl.**
USPC **D6/342; D6/335**
- (58) **Field of Classification Search**
USPC D6/333, 335, 340, 342, 344, 347, D6/349-355, 358, 360, 363-365, 370, 381, D6/406.6, 596, 601, 648, 662.1, 675, 677, D6/685-687, 688.15, 688.27, 690, 691, D6/691.8, 692.1-692.3, 695.1, 708.16, D6/708.2, 709, 709.2, 709.22, 711, D6/716-716.7, 717
CPC A47C 1/14; A47C 3/00; A47C 3/04; A47C 3/14; A47C 3/16; A47C 3/18; A47C 3/20; A47C 3/36; A47C 4/00; A47C 4/28; A47C 4/30; A47C 4/38; A47C 4/42; A47C 4/48; A47C 5/02; A47C 5/04; A47C 5/043; A47C 7/00-7/006; A47C 7/02; A47C 9/00; A47C 9/02; A47C 9/007; A47C 9/025; A47C 9/10; A47C 11/00; A47C 12/00; A47C 13/00; A47C 16/02; A47B 7/00-7/02; A47B 45/00; A47B 47/04-47/045; A47B 3/00; A47B 3/02; A47B 3/04; A47B 3/12
See application file for complete search history.

- D264,778 S * 6/1982 Gageby D6/370
- D281,934 S * 12/1985 Braun D6/371
- D352,614 S * 11/1994 Adams D6/339
- D511,628 S * 11/2005 Cross D6/370
- D517,336 S * 3/2006 Engelstad D6/367
- D545,584 S * 7/2007 Hunziker D6/370
- D660,035 S * 5/2012 Grotta D6/370

(Continued)

OTHER PUBLICATIONS

Volant Flat Bench, Keystone Ridge Designs, Inc. (Jan. 2013) (2 color images).

(Continued)

Primary Examiner — Susan Bennett Hattan
Assistant Examiner — Vy Koenig
(74) *Attorney, Agent, or Firm* — The Webb Law Firm

(57) **CLAIM**
The ornamental design for a bench, as shown and described.

DESCRIPTION

FIG. 1 is a front perspective view of a bench embodying the present design;
FIG. 2 is a rear perspective view thereof;
FIG. 3 is a right side view thereof;
FIG. 4 is a left side view thereof;
FIG. 5 is a front view thereof;
FIG. 6 is a rear view thereof;
FIG. 7 is a top view thereof;
FIG. 8 is a bottom view thereof; and,
FIG. 9 is a front perspective view thereof.
The jagged broken lines in FIGS. 1-2 and 5-9 indicate that the appearance of any portion of the article between the break lines forms no part of the claimed design. The broken lines in FIG. 9 depict a second bench that forms no part of the claimed design and is included for illustrating environmental structure.

- (56) **References Cited**
U.S. PATENT DOCUMENTS
D256,969 S * 9/1980 Cassina D6/368

1 Claim, 6 Drawing Sheets



(56)

References Cited

U.S. PATENT DOCUMENTS

D687,234 S * 8/2013 Pedersen D6/370
D699,458 S * 2/2014 Makita D6/367
D710,626 S * 8/2014 Skalka D6/370

OTHER PUBLICATIONS

Penn Leaning Rail, Keystone Ridge Designs, Inc. (Jan. 2010) (2 color images).

Urban Edge Gus Bench and Jessie Rail, Landscape Forms, Inc. (Before Dec. 8, 2014) (2 color images).

Bar Counter Foot Rail, Chim-Chimneys, Inc.: Fireplace and Outdoor Grill Center (Before Dec. 8, 2014) (1 color image).

Lace Leaf Bike Rack, Kristin Tollefson (Before Dec. 8, 2014) (3 color images).

* cited by examiner



FIG. 1

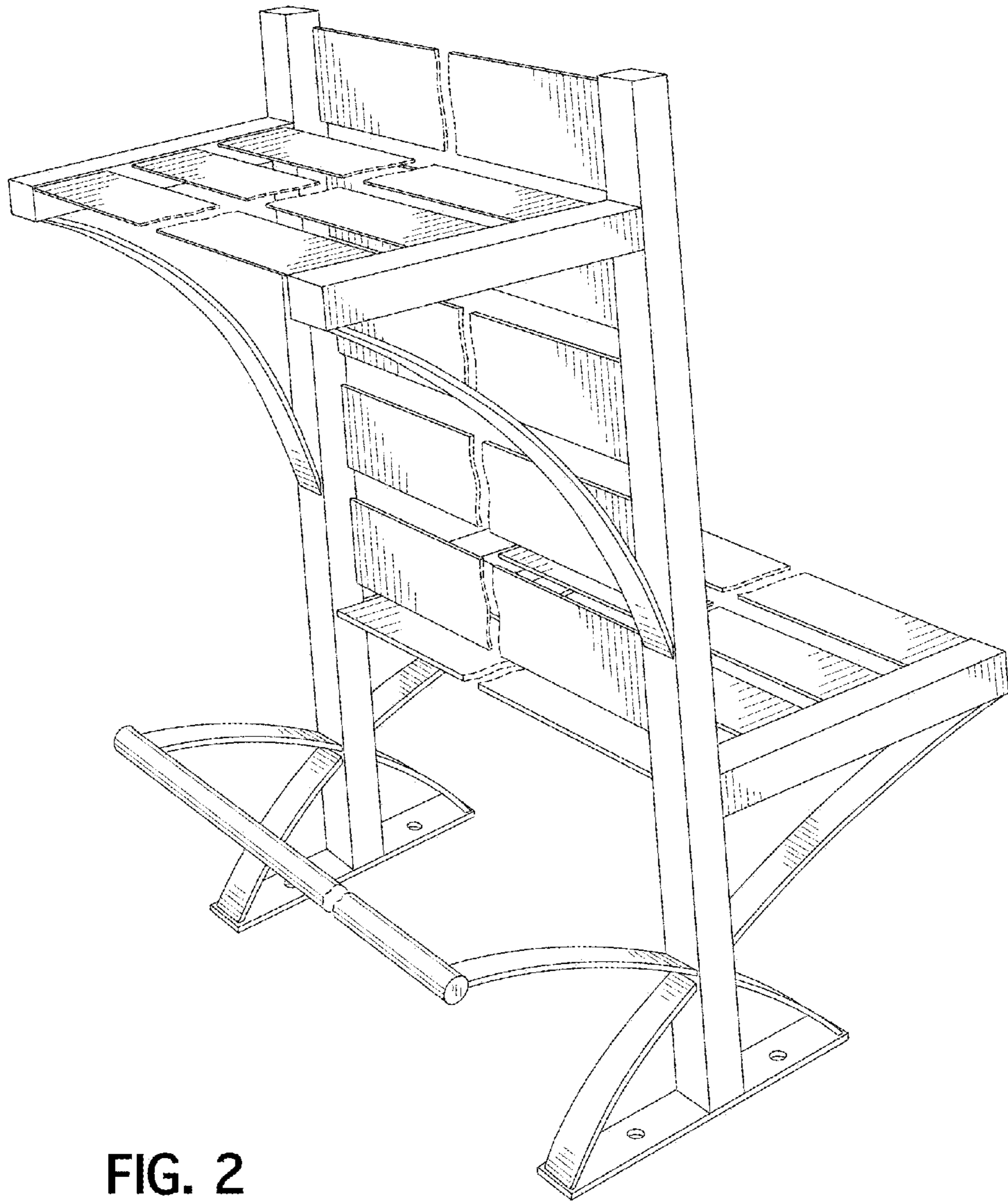
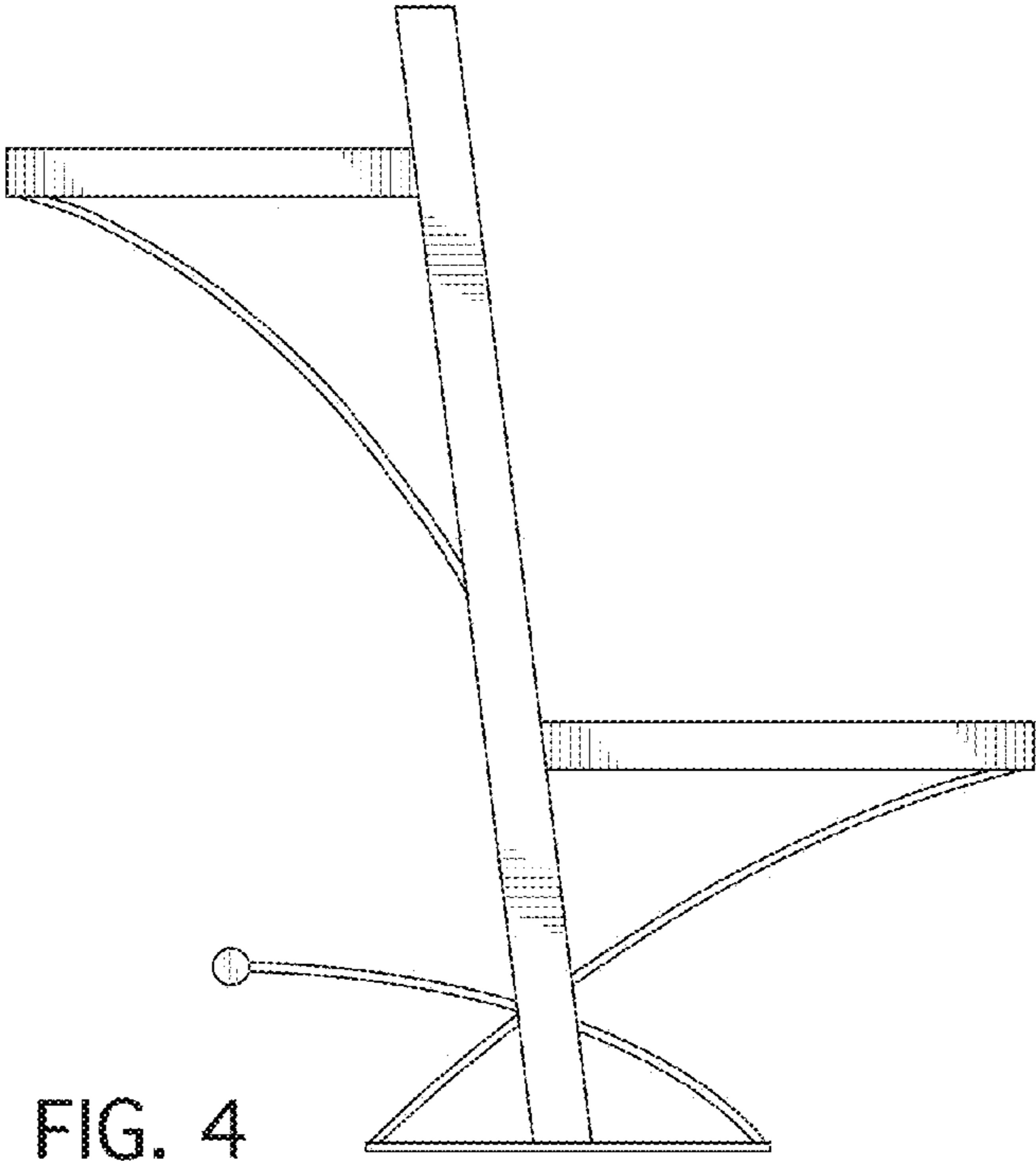
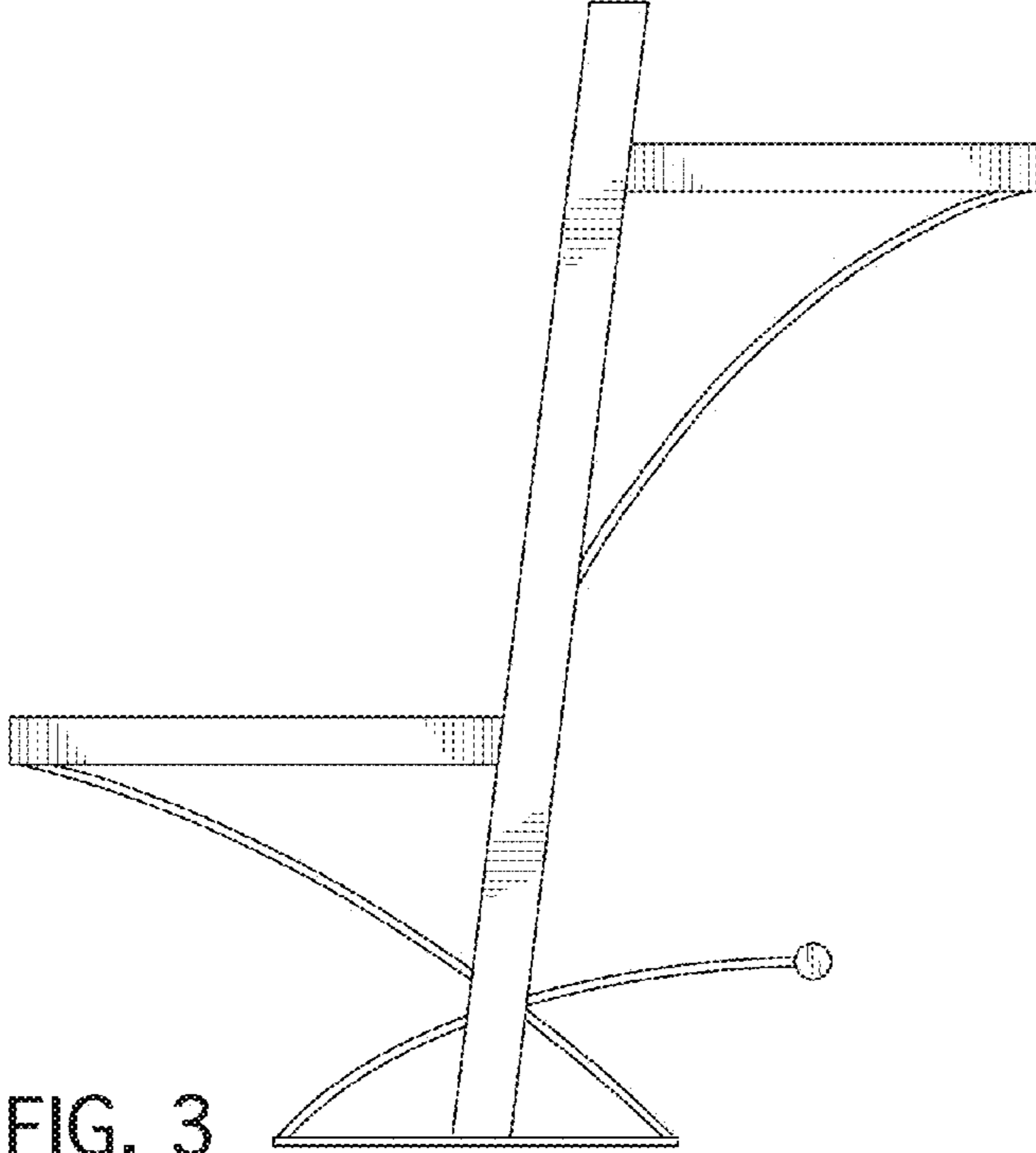


FIG. 2



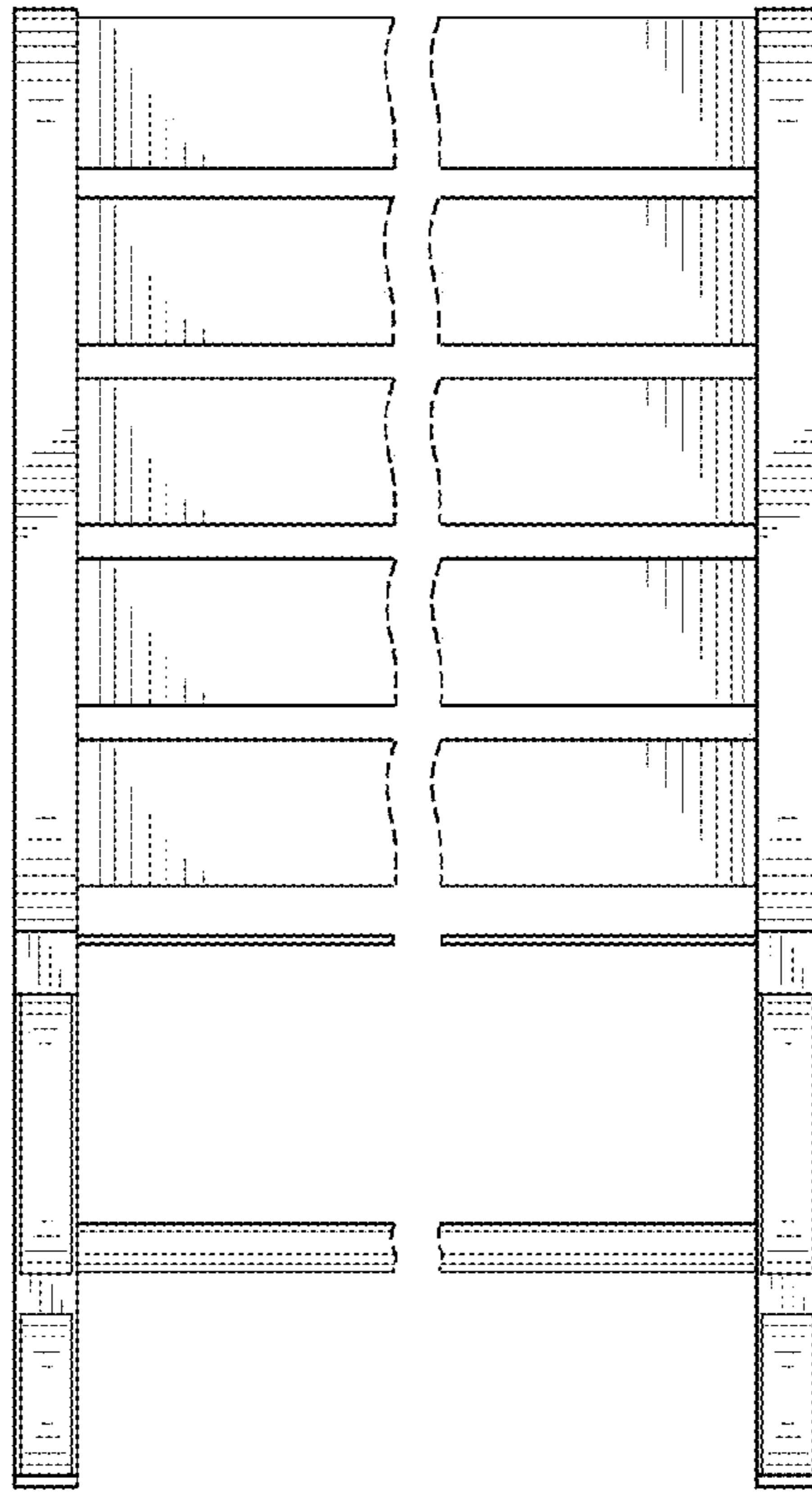


FIG. 5

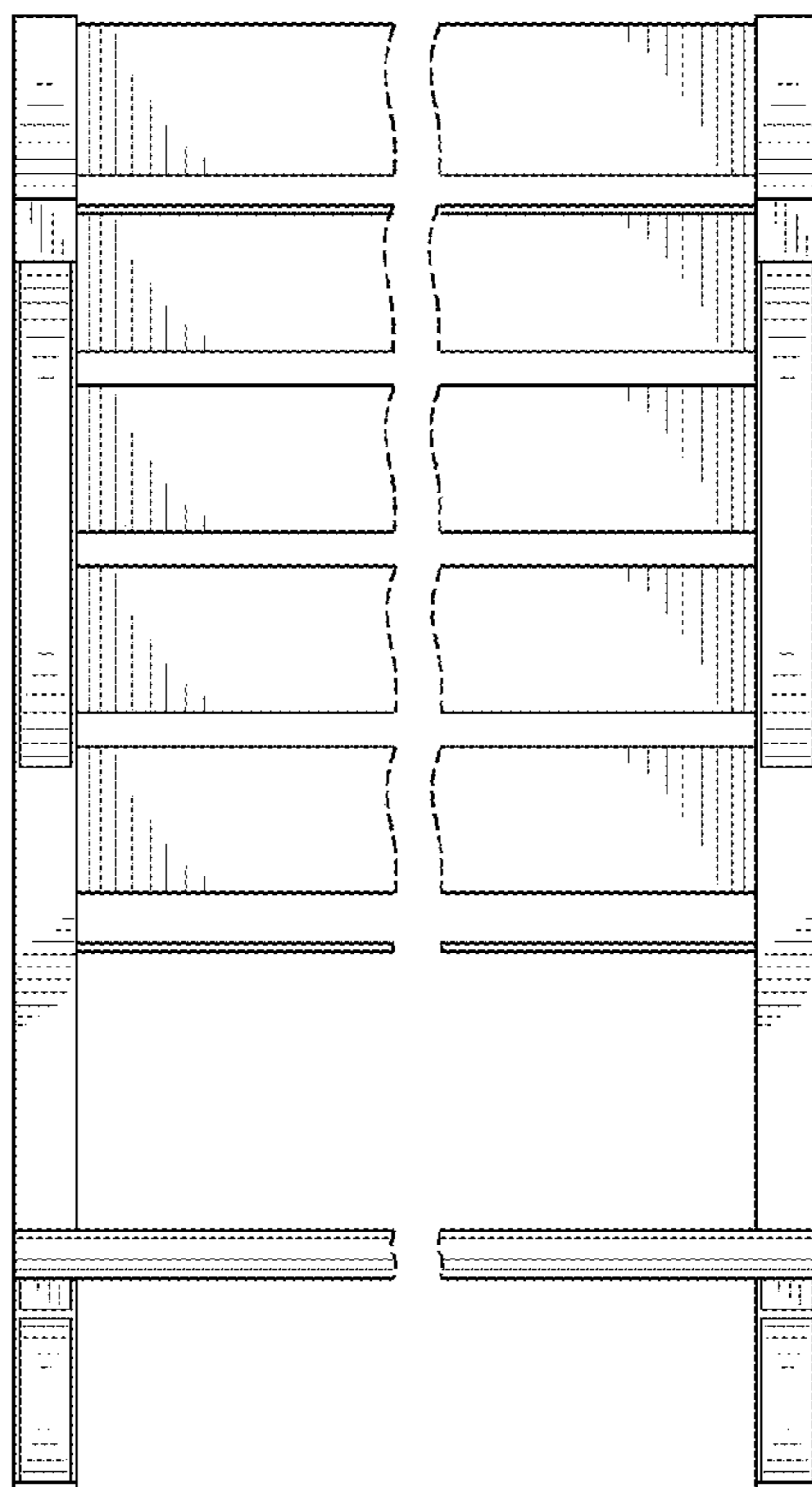


FIG. 6

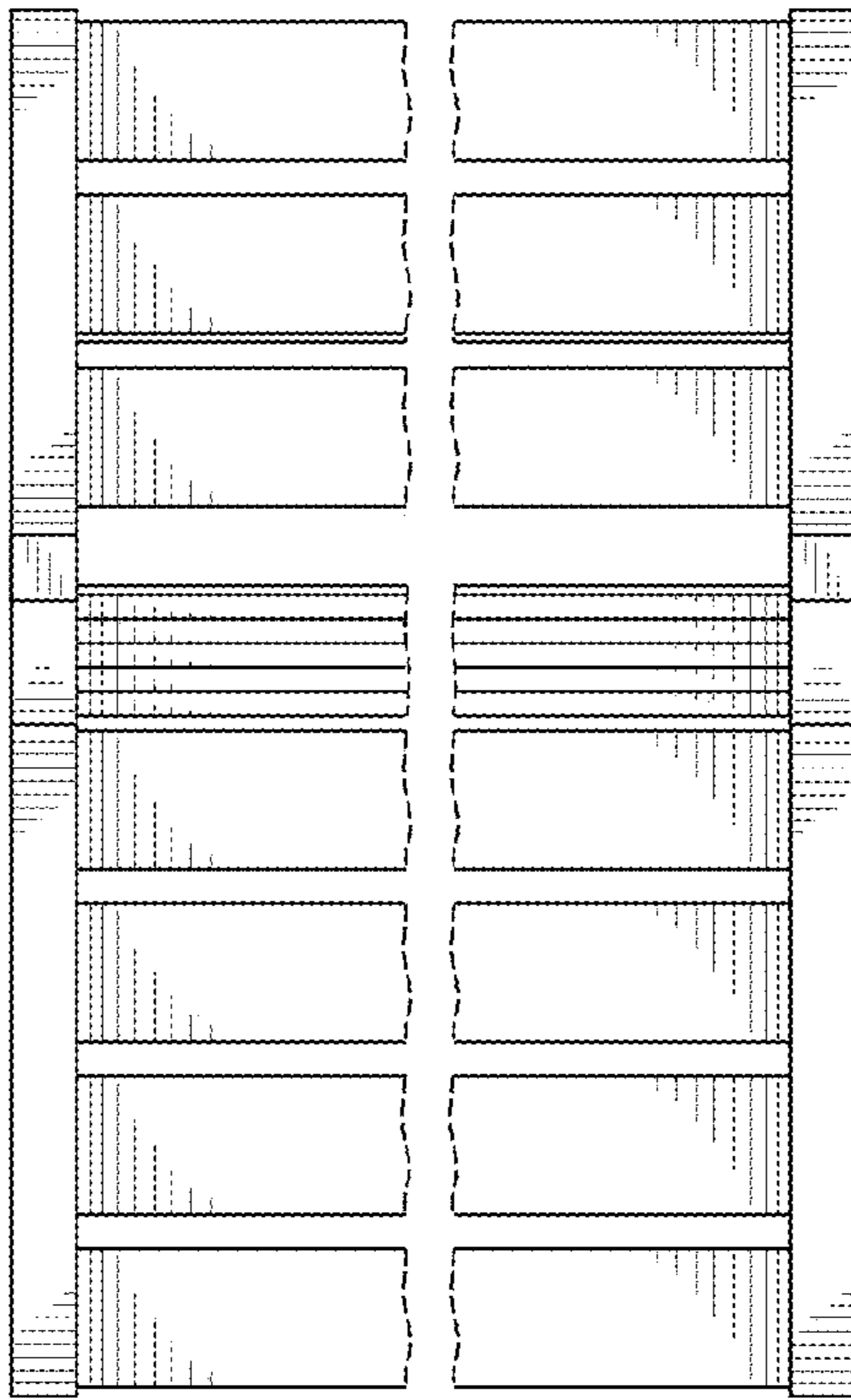


FIG. 7

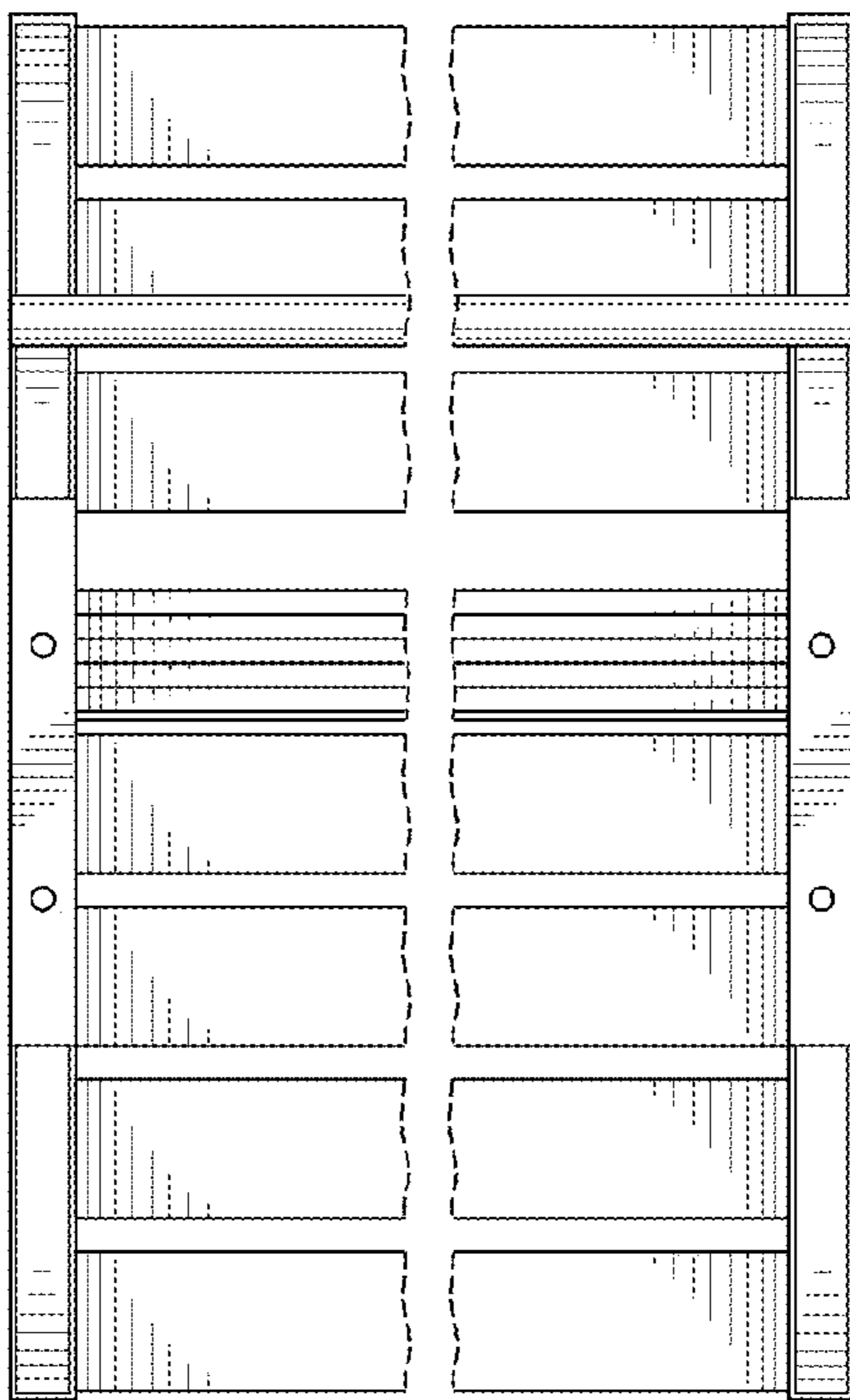


FIG. 8

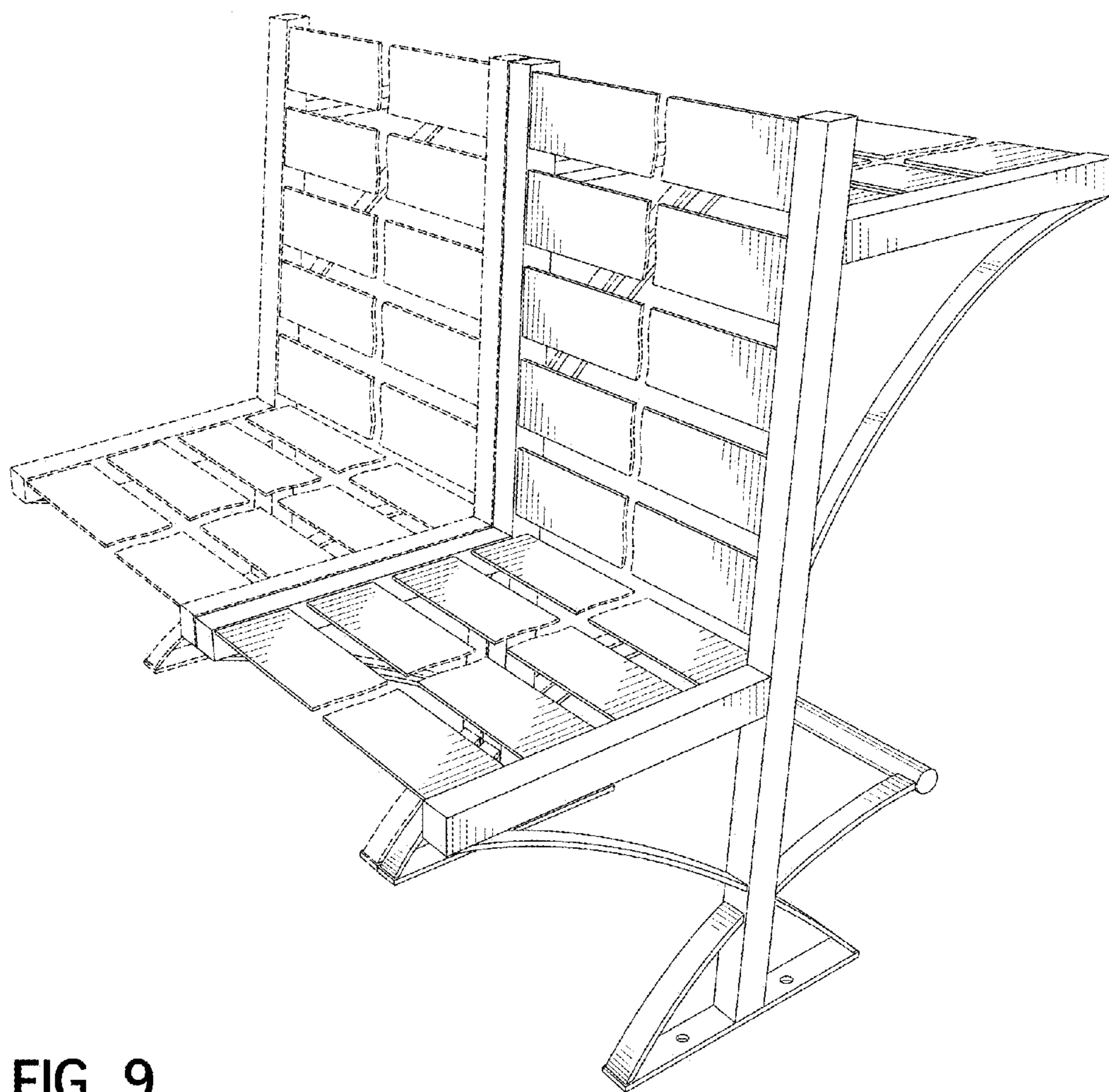


FIG. 9