



US00D749859S

(12) **United States Design Patent**
Snook

(10) **Patent No.:** **US D749,859 S**

(45) **Date of Patent:** **** Feb. 23, 2016**

(54) **COSMETIC BRUSH**

(71) Applicant: **Steven William Snook**, North Haledon,
NJ (US)

(72) Inventor: **Steven William Snook**, North Haledon,
NJ (US)

(**) Term: **14 Years**

(21) Appl. No.: **29/522,255**

(22) Filed: **Mar. 30, 2015**

(51) **LOC (10) Cl.** **04-02**

(52) **U.S. Cl.**
USPC **D4/135**

(58) **Field of Classification Search**
USPC D4/121, 127, 135, 138; 15/106, 159.1,
15/160, 176.1, 184, 190-194; 132/289,
132/294, 298, 313, 317, 320; 401/123, 141,
401/175, 281
CPC A46B 7/026; A46B 5/005; A46B 17/04;
A46B 2220/1046
See application file for complete search history.

(56) **References Cited**

U.S. PATENT DOCUMENTS

D450,930 S	*	11/2001	Mink	D4/135
D559,548 S	*	1/2008	Dovellos	D4/135
D584,897 S	*	1/2009	Belley	D4/135
D599,117 S	*	9/2009	Dumler	D4/135
D625,522 S	*	10/2010	Riaz	D4/135
D628,392 S	*	12/2010	Genatossio	D4/135
D632,089 S	*	2/2011	Limongi	D4/135
D655,512 S	*	3/2012	Pope	D4/135

D663,957 S	*	7/2012	Garcia	D4/135
D679,507 S	*	4/2013	Hile	D4/135
D706,542 S	*	6/2014	Lavigne	D4/135
D717,548 S	*	11/2014	Lim	D4/135
D739,148 S	*	9/2015	Lim	D4/135

* cited by examiner

Primary Examiner — Austin Murphy

(74) *Attorney, Agent, or Firm* — Frank J. Spanitz

(57) **CLAIM**

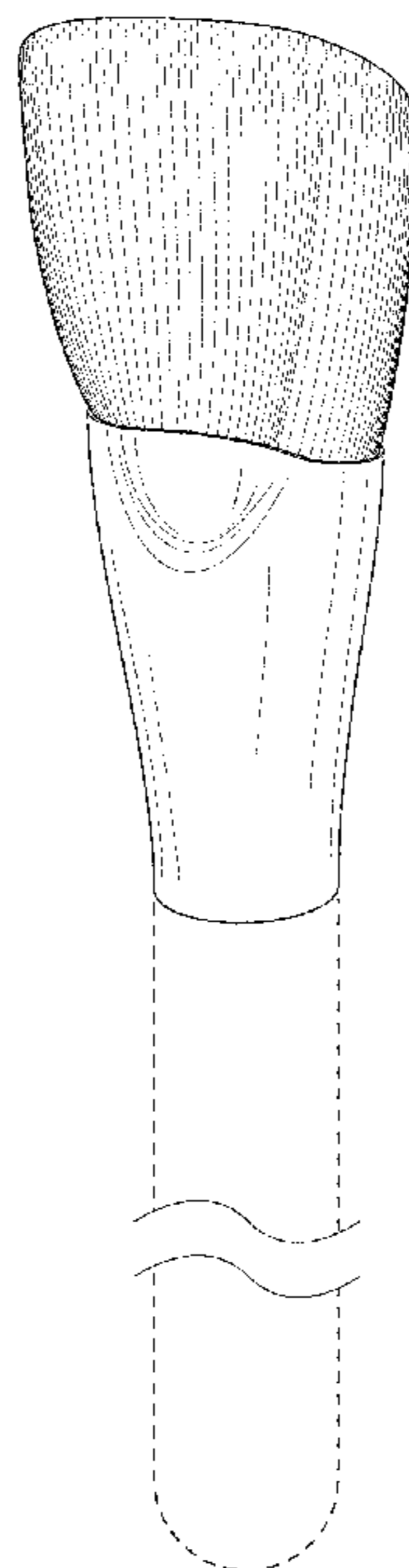
The ornamental design for a cosmetic brush, as shown and described.

DESCRIPTION

FIG. 1 is a front perspective view of a first embodiment of a cosmetic brush according to the new design; FIG. 2 is a front elevation view thereof; FIG. 3 is a rear elevation view thereof; FIG. 4 is a left side elevation view thereof; FIG. 5 is a right side elevation view thereof; FIG. 6 is a top plan view thereof; FIG. 7 is a bottom plan view thereof; FIG. 8 is a front perspective view of a second embodiment of a cosmetic brush according to the new design; FIG. 9 is a front elevation view thereof; FIG. 10 is a rear elevation view thereof; FIG. 11 is a left side elevation view thereof; FIG. 12 is a right side elevation view thereof; FIG. 13 is a top plan view thereof; and, FIG. 14 is a bottom plan view thereof.

All broken lines shown in the drawings are for illustrative purposes only and form no part of the claimed design.

1 Claim, 8 Drawing Sheets



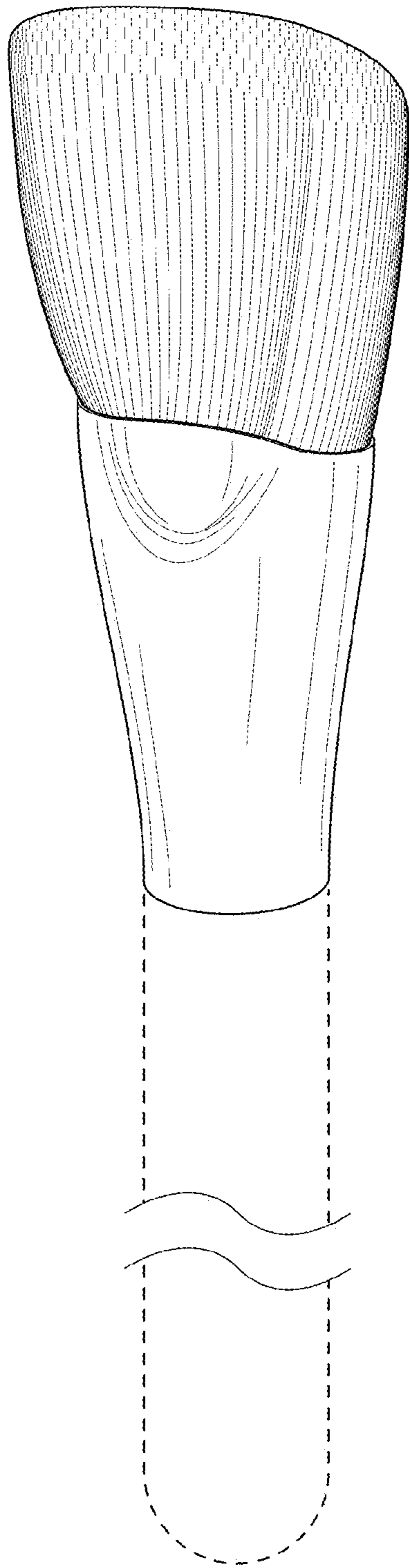


FIG. 1

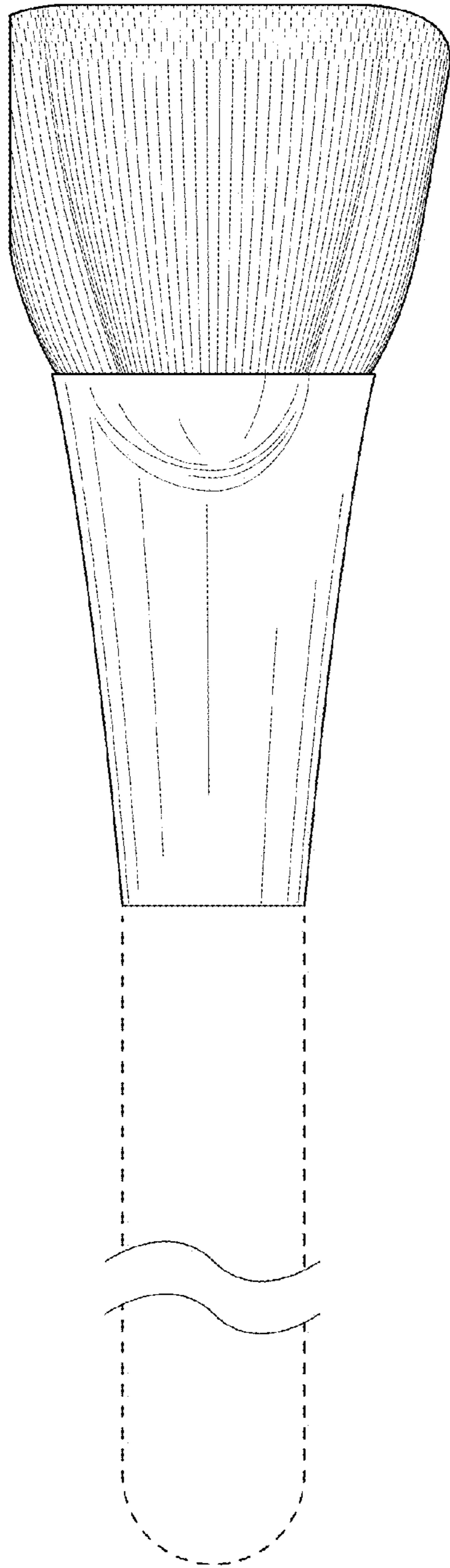


FIG. 2

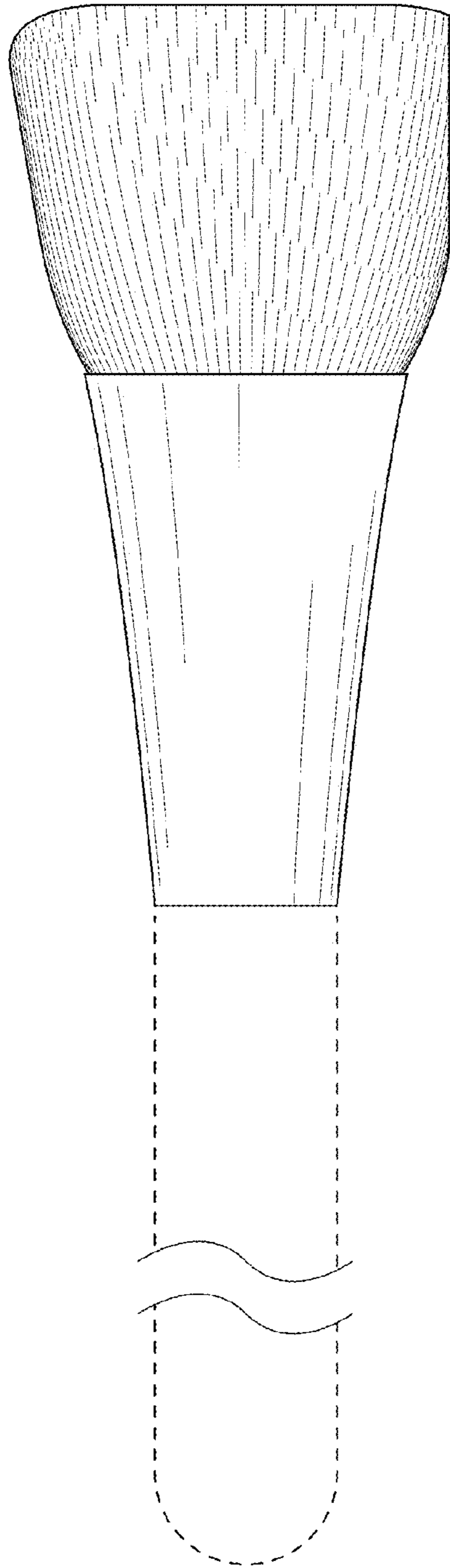


FIG. 3

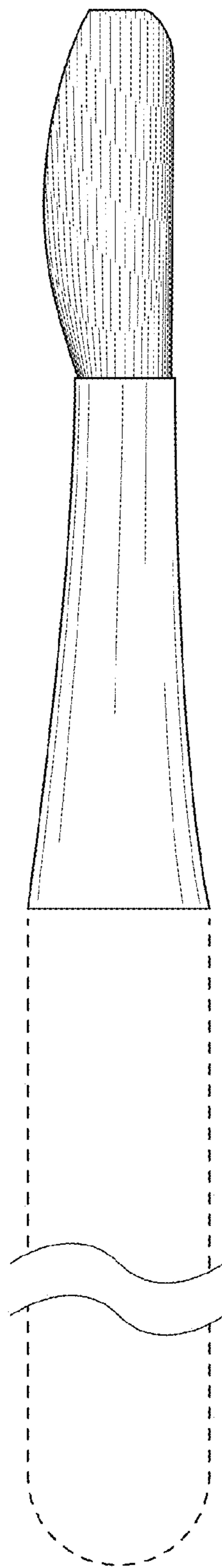


FIG. 4

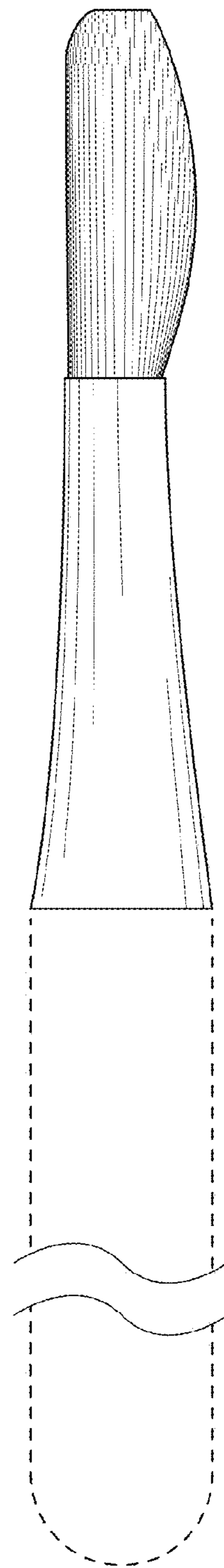


FIG. 5

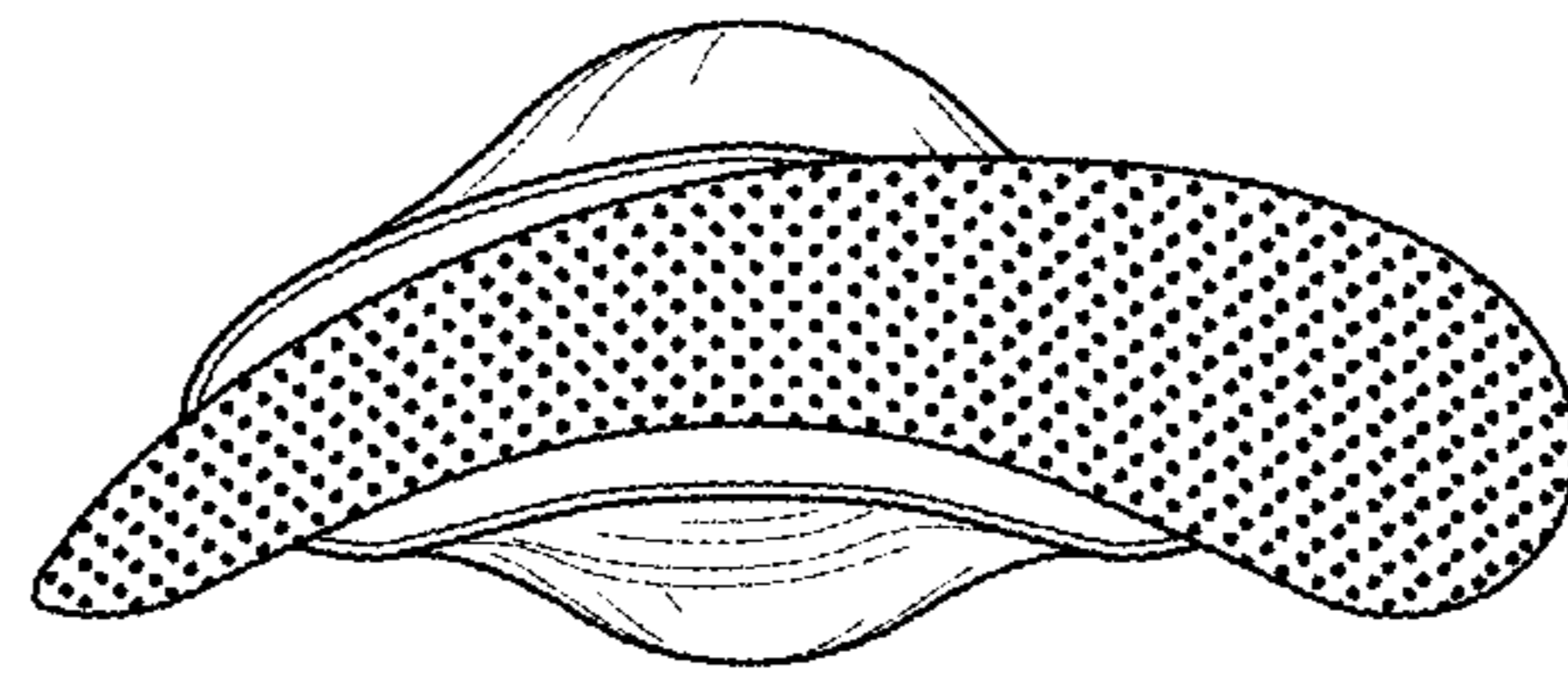


FIG. 6

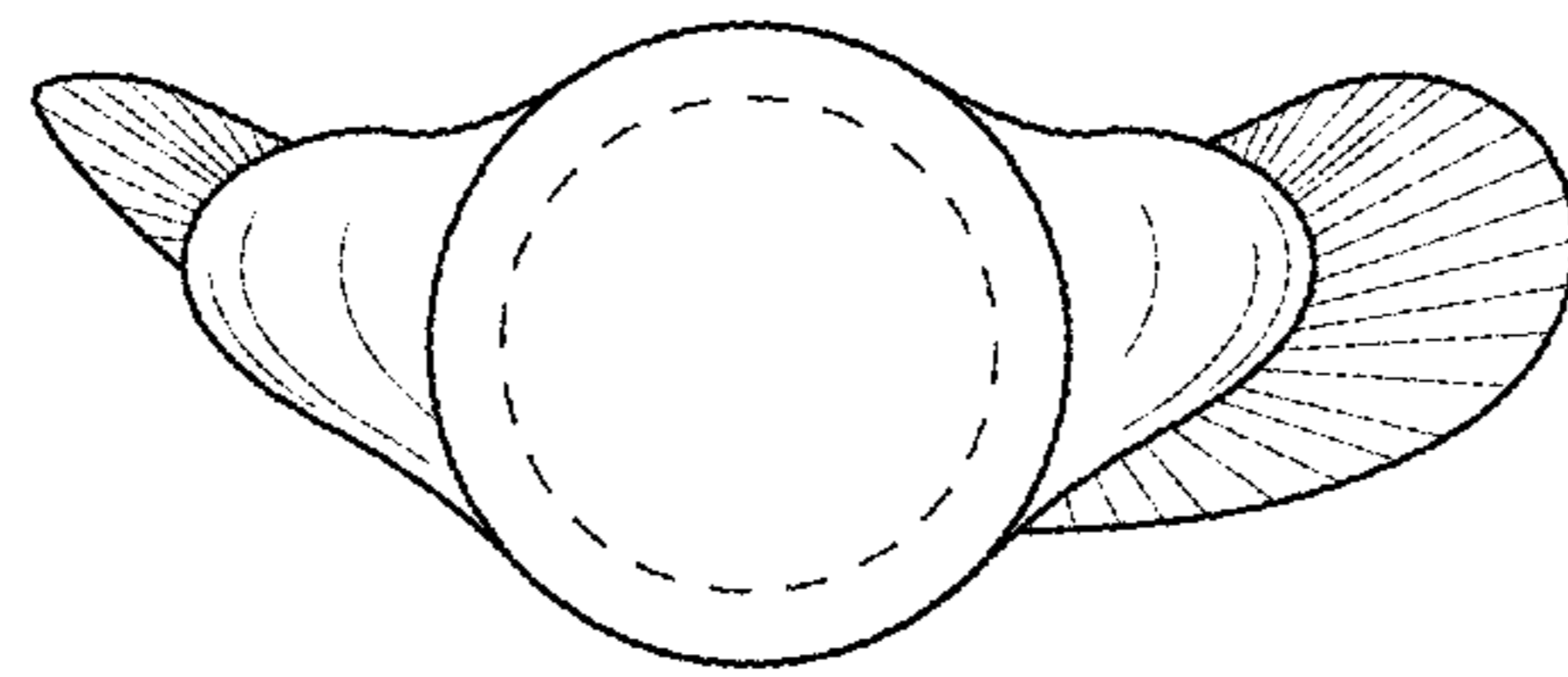


FIG. 7

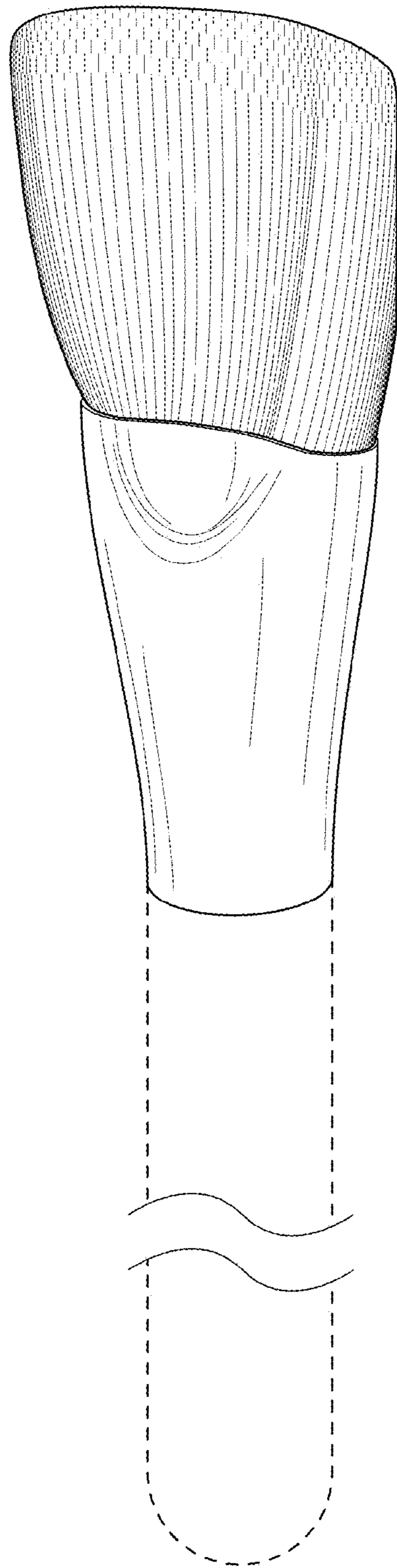


FIG. 8

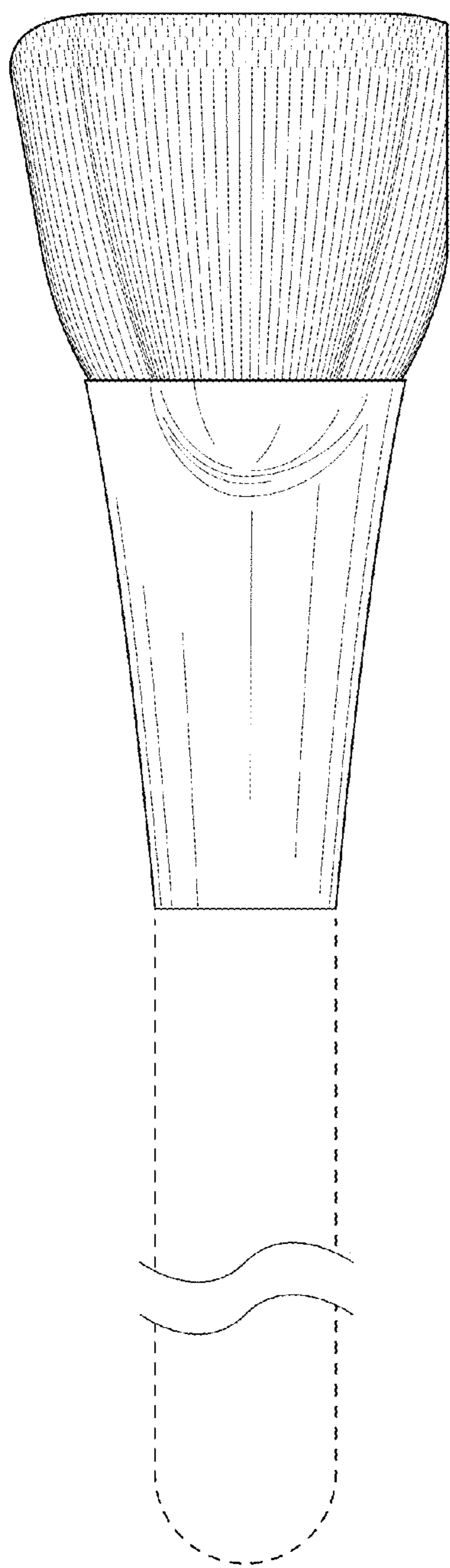


FIG. 9

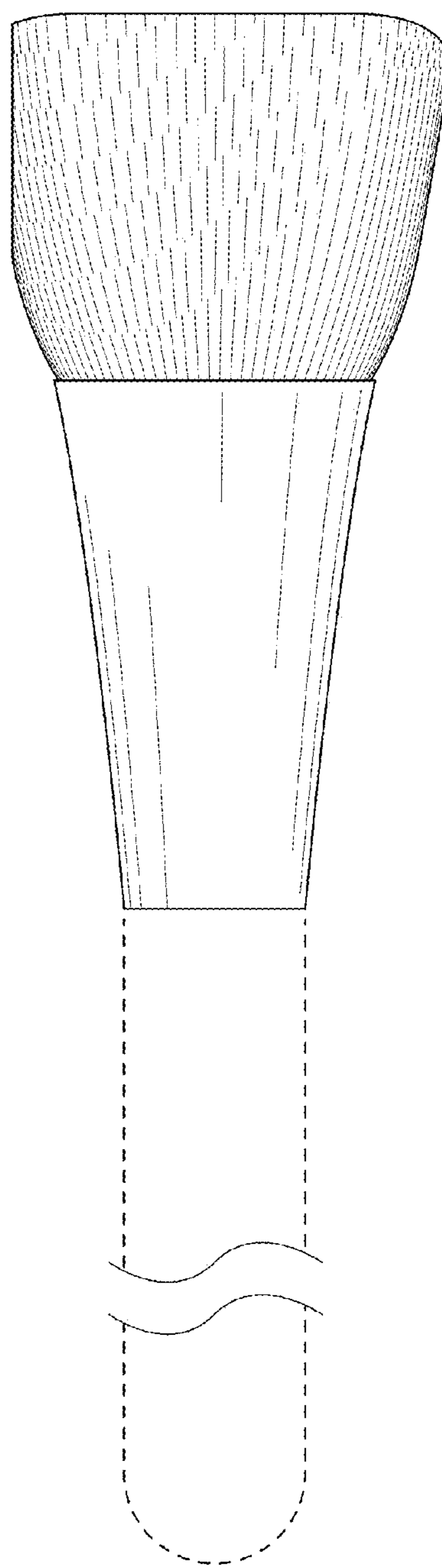


FIG. 10

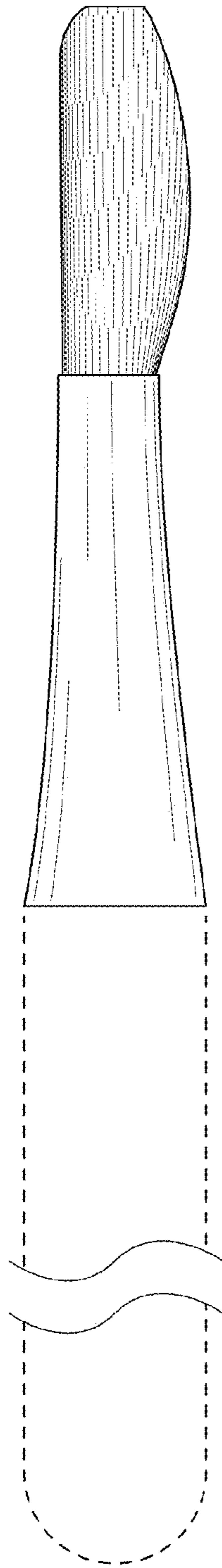


FIG. 11

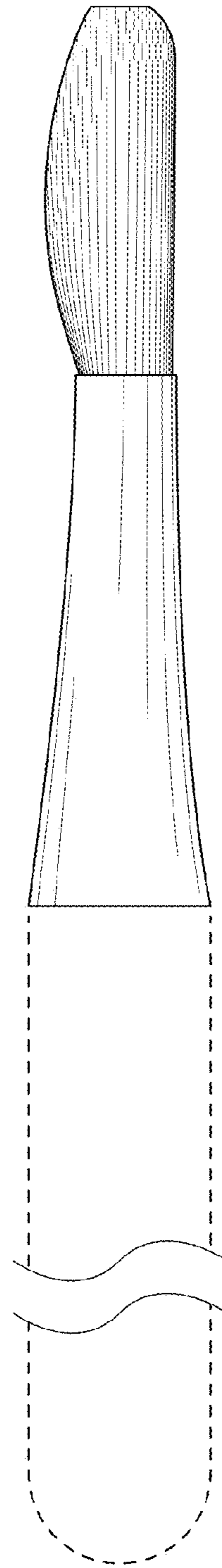


FIG. 12

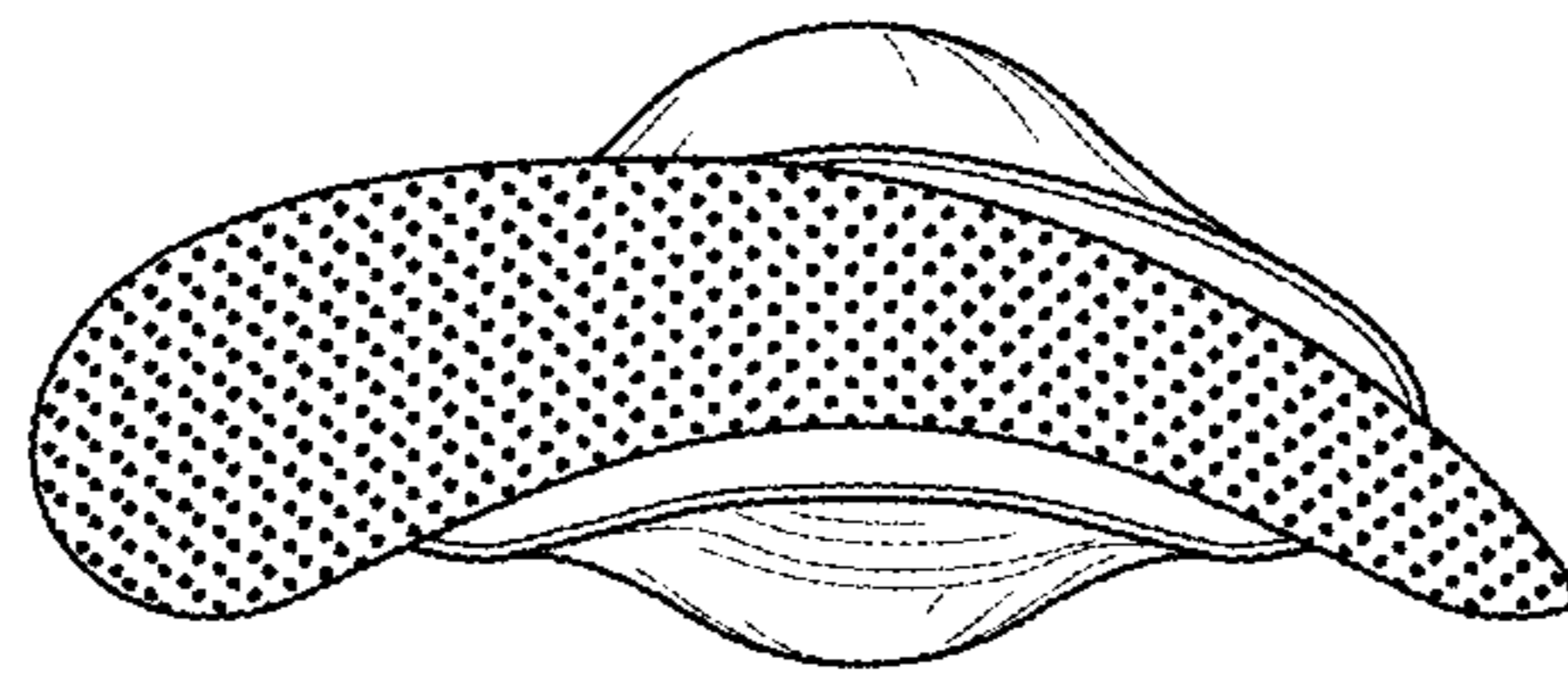


FIG. 13

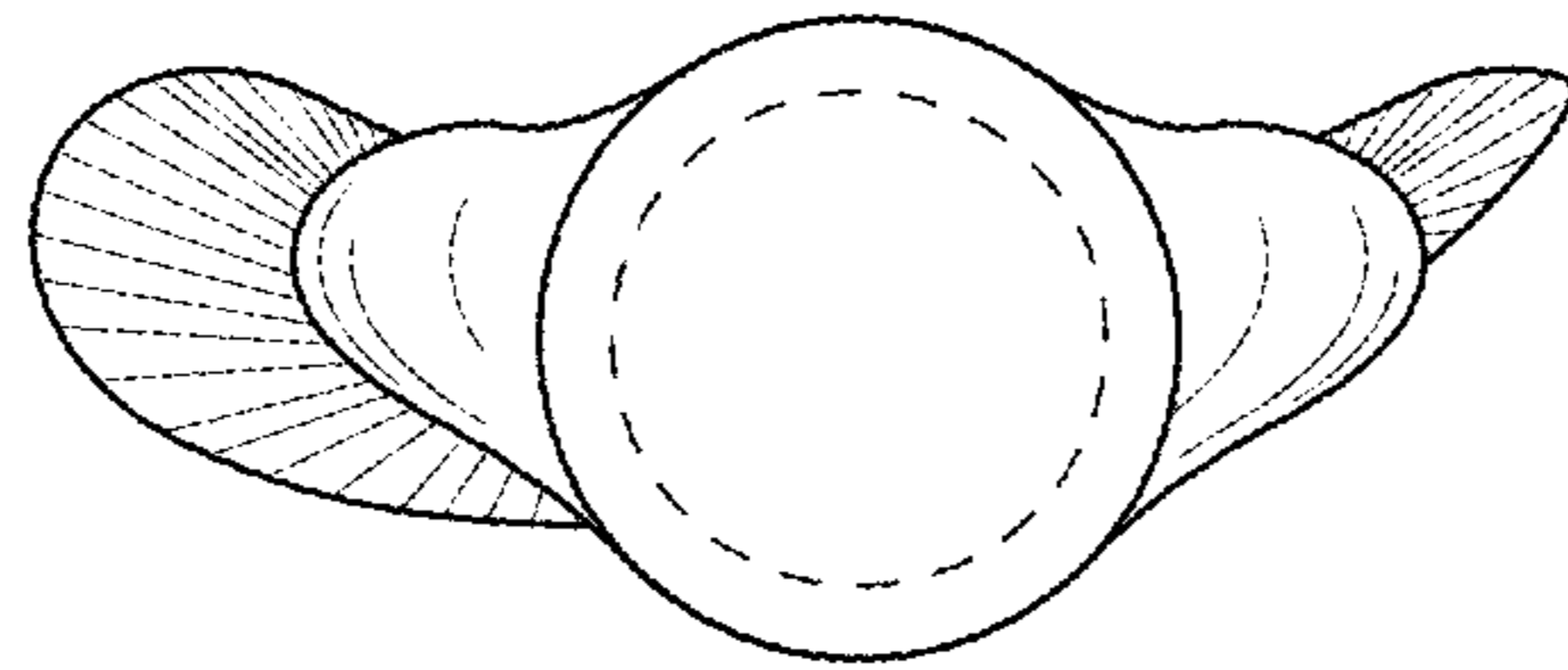


FIG. 14