



US00D749858S

(12) **United States Design Patent**
Snook

(10) **Patent No.:** **US D749,858 S**

(45) **Date of Patent:** **** Feb. 23, 2016**

(54) **COSMETIC BRUSH**

(71) Applicant: **Steven William Snook**, North Haledon,
NJ (US)

(72) Inventor: **Steven William Snook**, North Haledon,
NJ (US)

(**) Term: **14 Years**

(21) Appl. No.: **29/522,253**

(22) Filed: **Mar. 30, 2015**

(51) **LOC (10) Cl.** **04-02**

(52) **U.S. Cl.**
USPC **D4/135**

(58) **Field of Classification Search**
USPC D4/121, 127, 135, 138; 15/106, 159.1,
15/160, 176.1, 184, 190-194; 132/289,
132/294, 298, 313, 317, 320; 401/123, 141,
401/175, 281
CPC A46B 7/026; A46B 5/005; A46B 17/04;
A46B 2200/1046
See application file for complete search history.

(56) **References Cited**

U.S. PATENT DOCUMENTS

D450,930 S * 11/2001 Mink D4/135
D559,548 S * 1/2008 Dovellos D4/135
D584,897 S * 1/2009 Belley D4/135

D599,117 S * 9/2009 Dumler D4/135
D625,522 S * 10/2010 Riaz D4/135
D628,392 S * 12/2010 Genatossio D4/135
D632,089 S * 2/2011 Limongi D4/135
D655,512 S * 3/2012 Pope D4/135
D663,957 S * 7/2012 Garcia D4/135
D679,507 S * 4/2013 Hile D4/135
D706,542 S * 6/2014 Lavigne D4/135
D717,548 S * 11/2014 Lim D4/135
D739,148 S * 9/2015 Lim D4/135

* cited by examiner

Primary Examiner — Austin Murphy

(74) *Attorney, Agent, or Firm* — Frank J. Spanitz

(57) **CLAIM**

The ornamental design for a cosmetic brush, as shown and described.

DESCRIPTION

FIG. 1 is a front perspective view of a cosmetic brush according to the new design;

FIG. 2 is a front elevation view thereof;

FIG. 3 is a rear elevation view thereof;

FIG. 4 is a left side elevation view thereof;

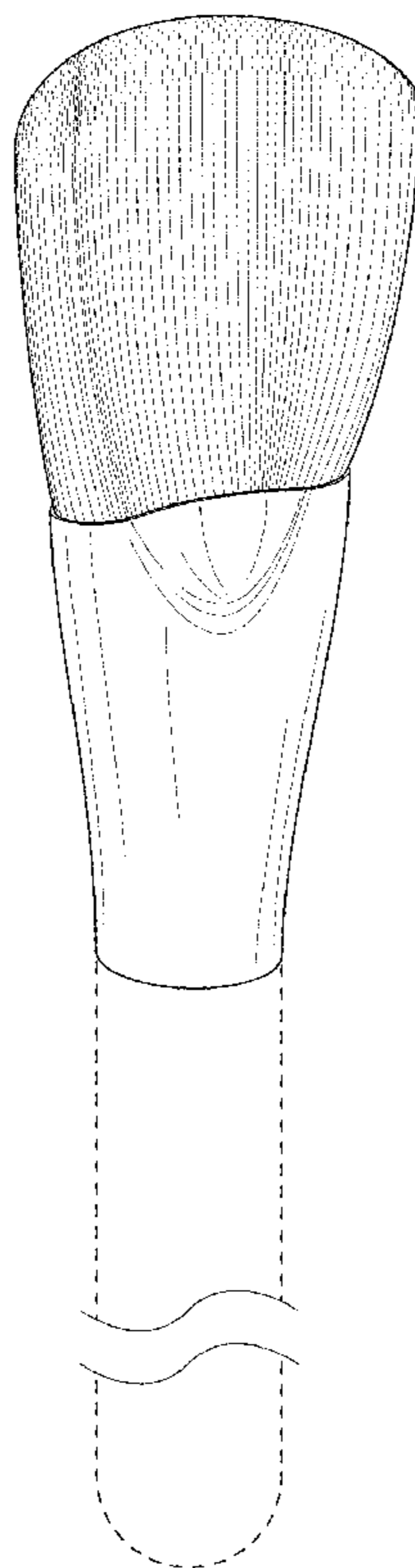
FIG. 5 is a right side elevation view thereof;

FIG. 6 is a top plan view thereof; and,

FIG. 7 is a bottom plan view thereof.

All broken lines shown in the drawings are for illustrative purposes only and form no part of the claimed design.

1 Claim, 4 Drawing Sheets



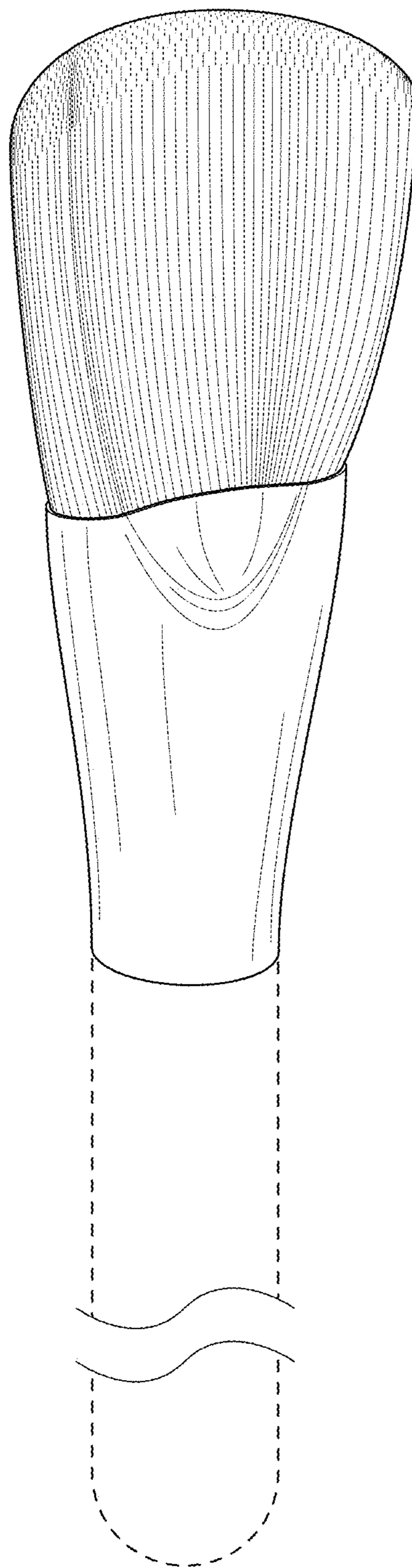


FIG. 1

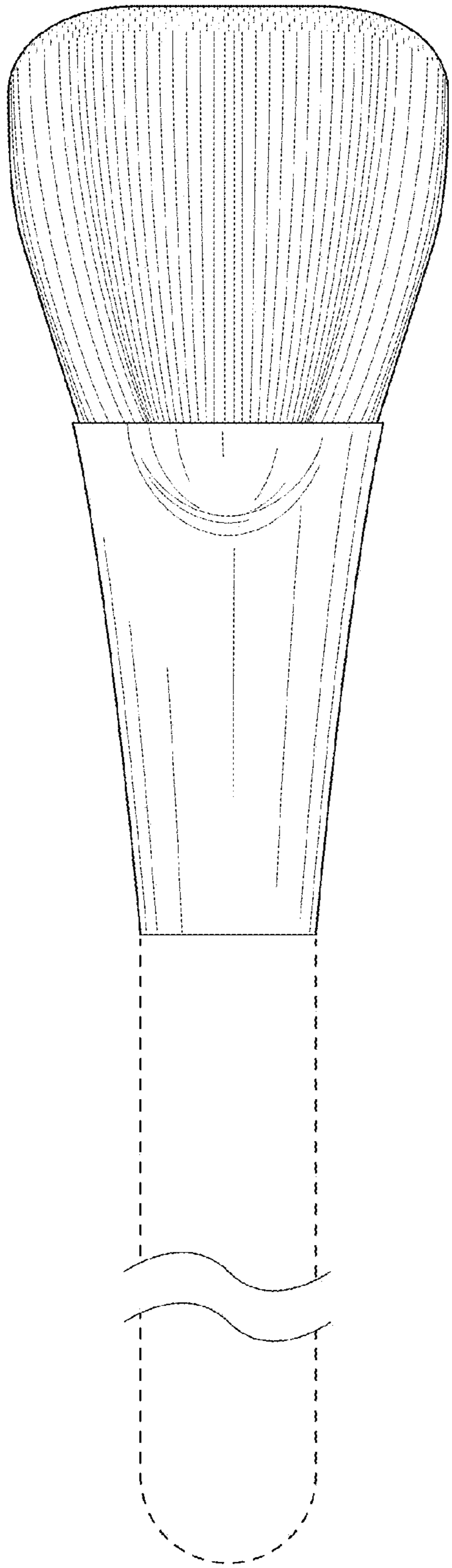


FIG. 2

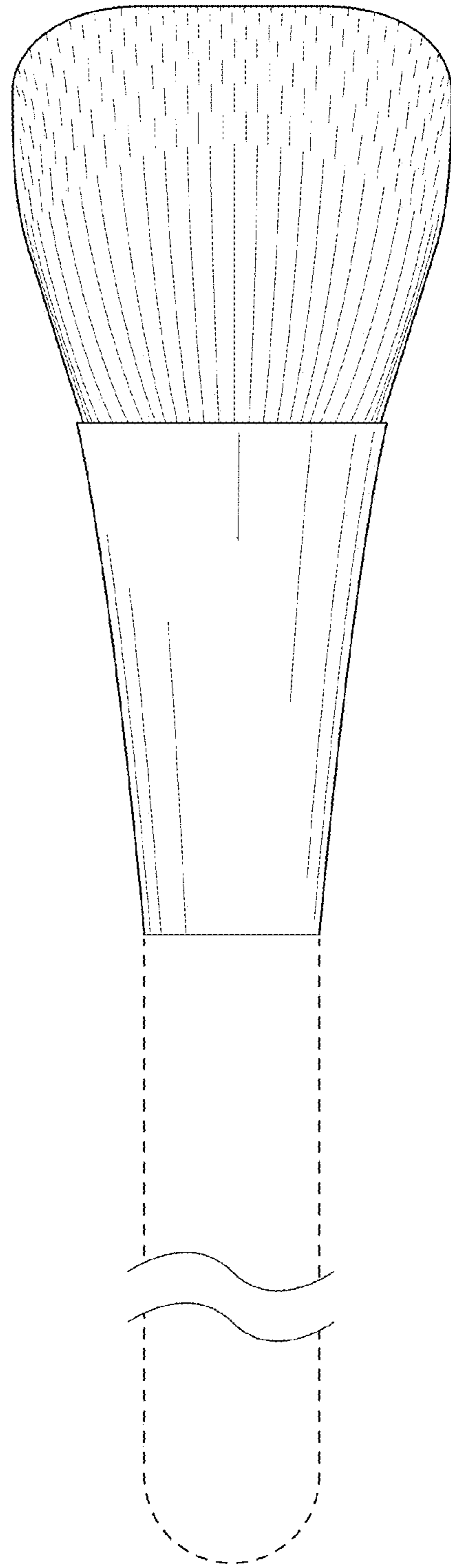


FIG. 3

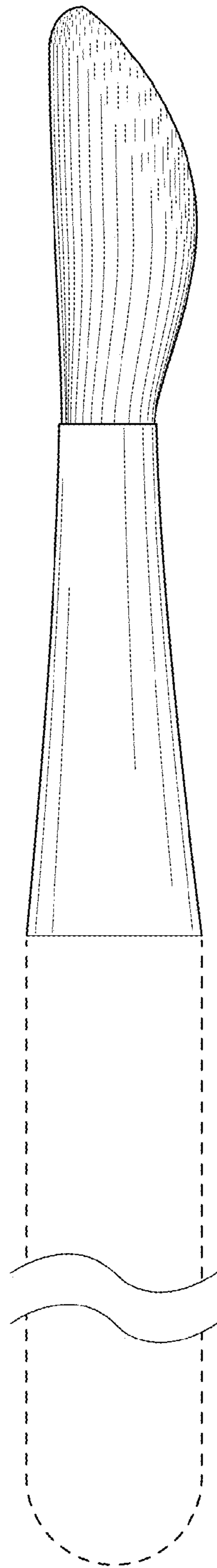


FIG. 4

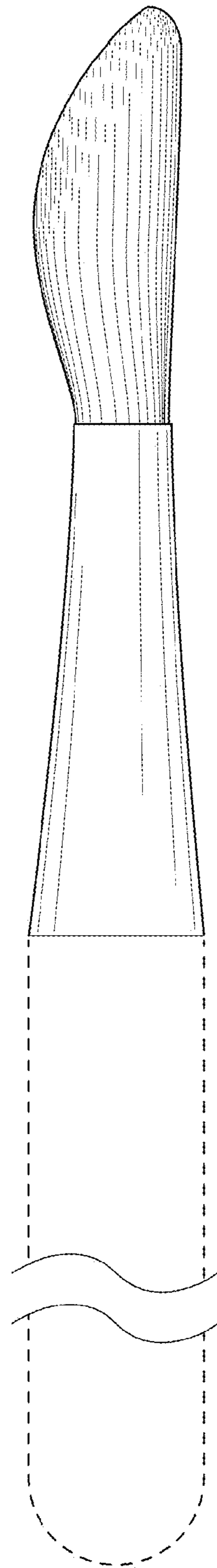


FIG. 5

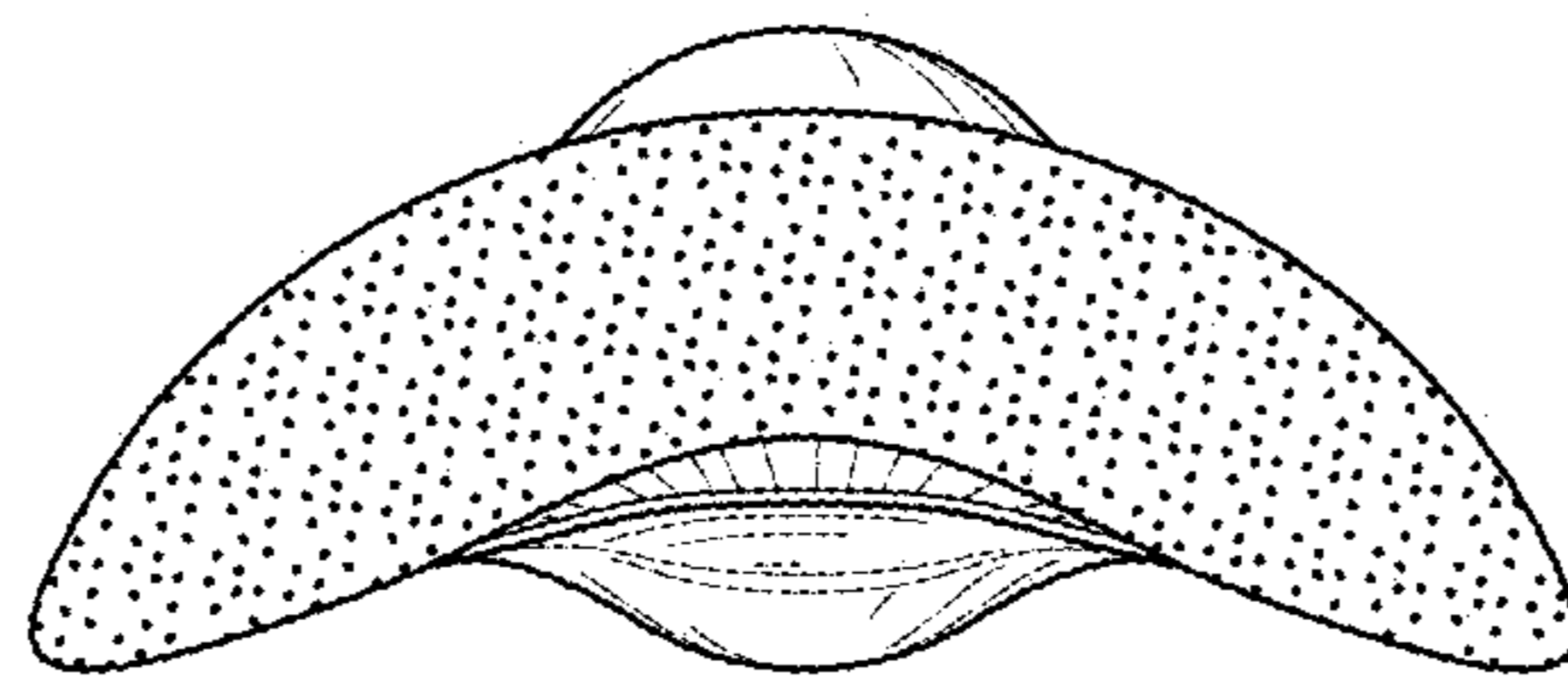


FIG. 6

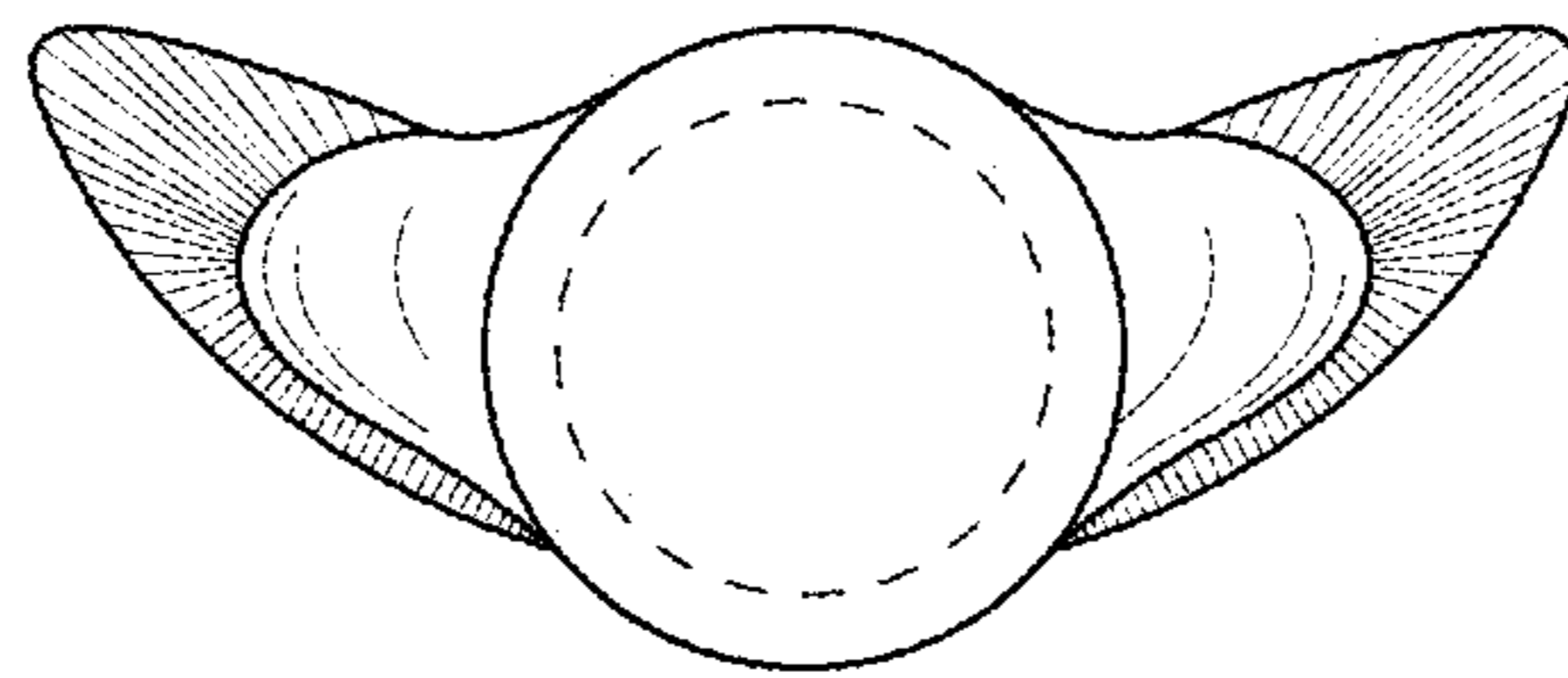


FIG. 7