



US00D749850S

(12) **United States Design Patent**
Kuster et al.

(10) **Patent No.:** **US D749,850 S**

(45) **Date of Patent:** **** *Feb. 23, 2016**

(54) **HANDBAG**

(71) Applicants: **Laurence Kuster**, London (GB); **Lydia Hannon**, London (GB)

(72) Inventors: **Laurence Kuster**, London (GB); **Lydia Hannon**, London (GB)

(73) Assignee: **J. Choo Limited**, London (GB)

(*) Notice: This patent is subject to a terminal disclaimer.

(**) Term: **14 Years**

(21) Appl. No.: **29/466,814**

(22) Filed: **Sep. 11, 2013**

(30) **Foreign Application Priority Data**

Mar. 14, 2013 (EP) 002202747-0035

(51) **LOC (10) Cl.** **03-01**

(52) **U.S. Cl.**
USPC **D3/318**

(58) **Field of Classification Search**
USPC D3/232-233, 240-243, 245-246;
150/100, 103-110, 113-114, 117-119

CPC A45C 1/024; A45C 3/06
See application file for complete search history.

(56) **References Cited**

U.S. PATENT DOCUMENTS

1,562,408 A *	11/1925	Berkowitz	150/103
1,598,719 A *	9/1926	Hiering	150/108
1,915,083 A *	6/1933	Bodenstein	453/54
1,994,746 A *	3/1935	Banner	150/103
2,101,997 A *	12/1937	Goldberg	150/117
D160,475 S *	10/1950	Cohan	D3/243
D222,406 S *	10/1971	Krifchin	D3/243
D231,415 S *	4/1974	Weber	D3/11
D375,428 S *	11/1996	Gall et al.	D6/601
D422,405 S *	4/2000	du Sartel	D3/243
D690,506 S	10/2013	Kuster et al.		

* cited by examiner

Primary Examiner — Holly Baynham

(74) *Attorney, Agent, or Firm* — Fross Zelnick Lehrman & Zissu, P.C.; Charles T. J. Weigell, Esq.; Lawrence E. Apolzon, Esq.

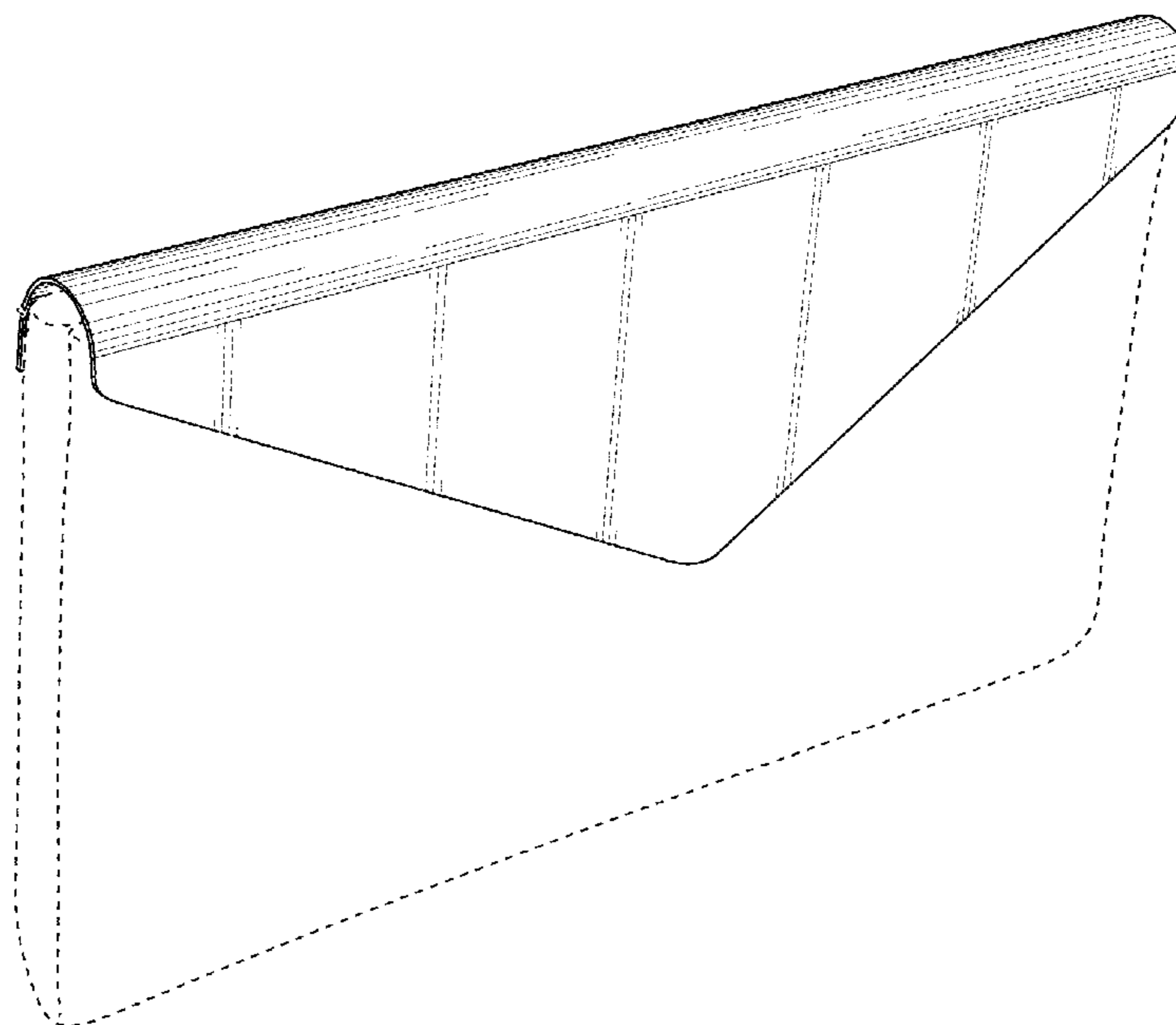
(57) **CLAIM**

The ornamental design for a handbag, as shown and described.

DESCRIPTION

FIG. 1 is a front perspective view of a handbag showing my new design;
FIG. 2 is a front view of the handbag shown in FIG. 1;
FIG. 3 is a rear view of the handbag shown in FIG. 1;
FIG. 4 is a left side of the handbag shown in FIG. 1 (with the right side view being a mirror image thereof);
FIG. 5 is a top view of the handbag shown in FIG. 1; and,
FIG. 6 is a bottom view of the handbag shown in FIG. 1.
The broken lines showing the body of the handbag are for the purposes of illustrating environment and form no part of the claimed design.

1 Claim, 4 Drawing Sheets



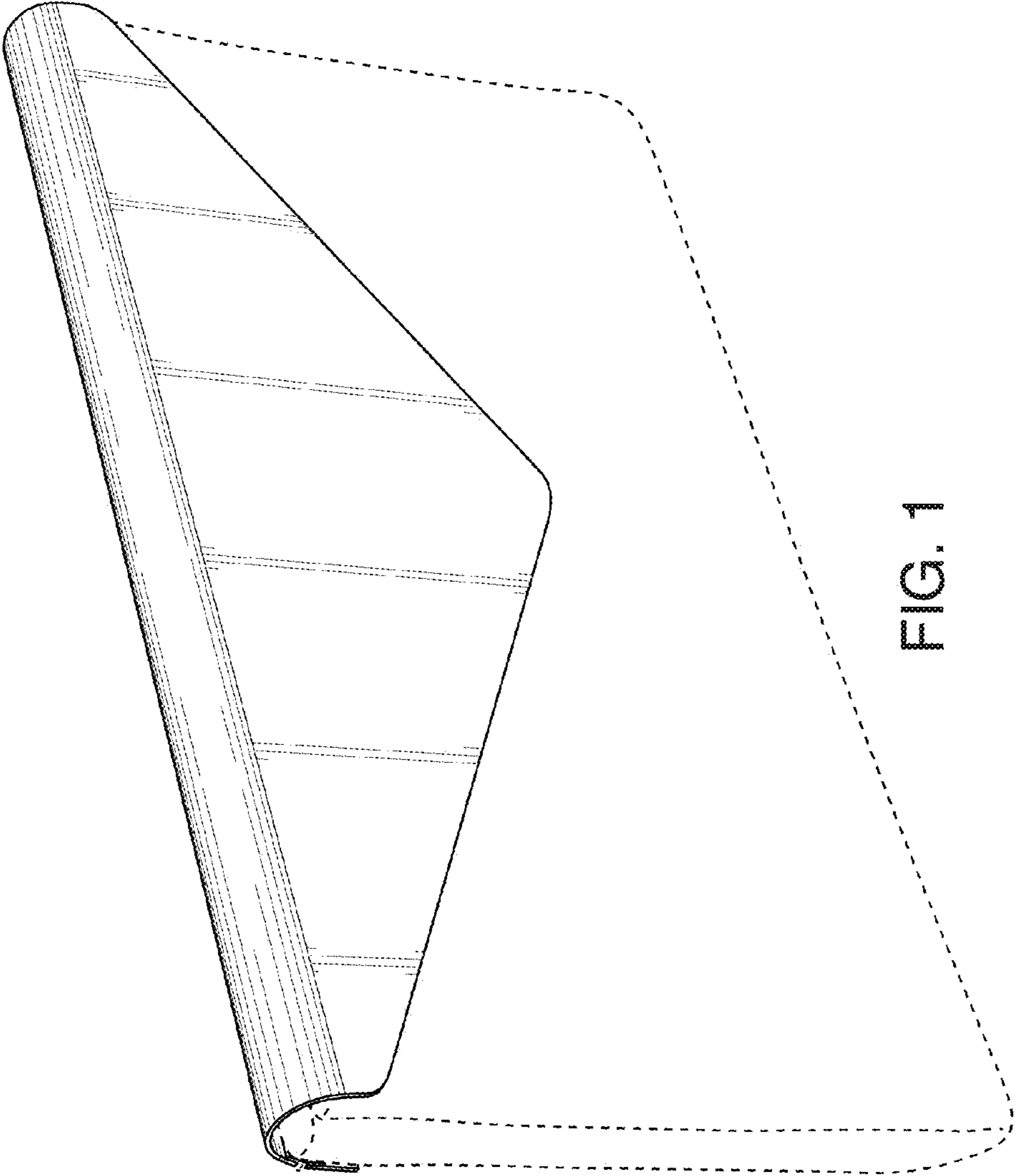


FIG. 1

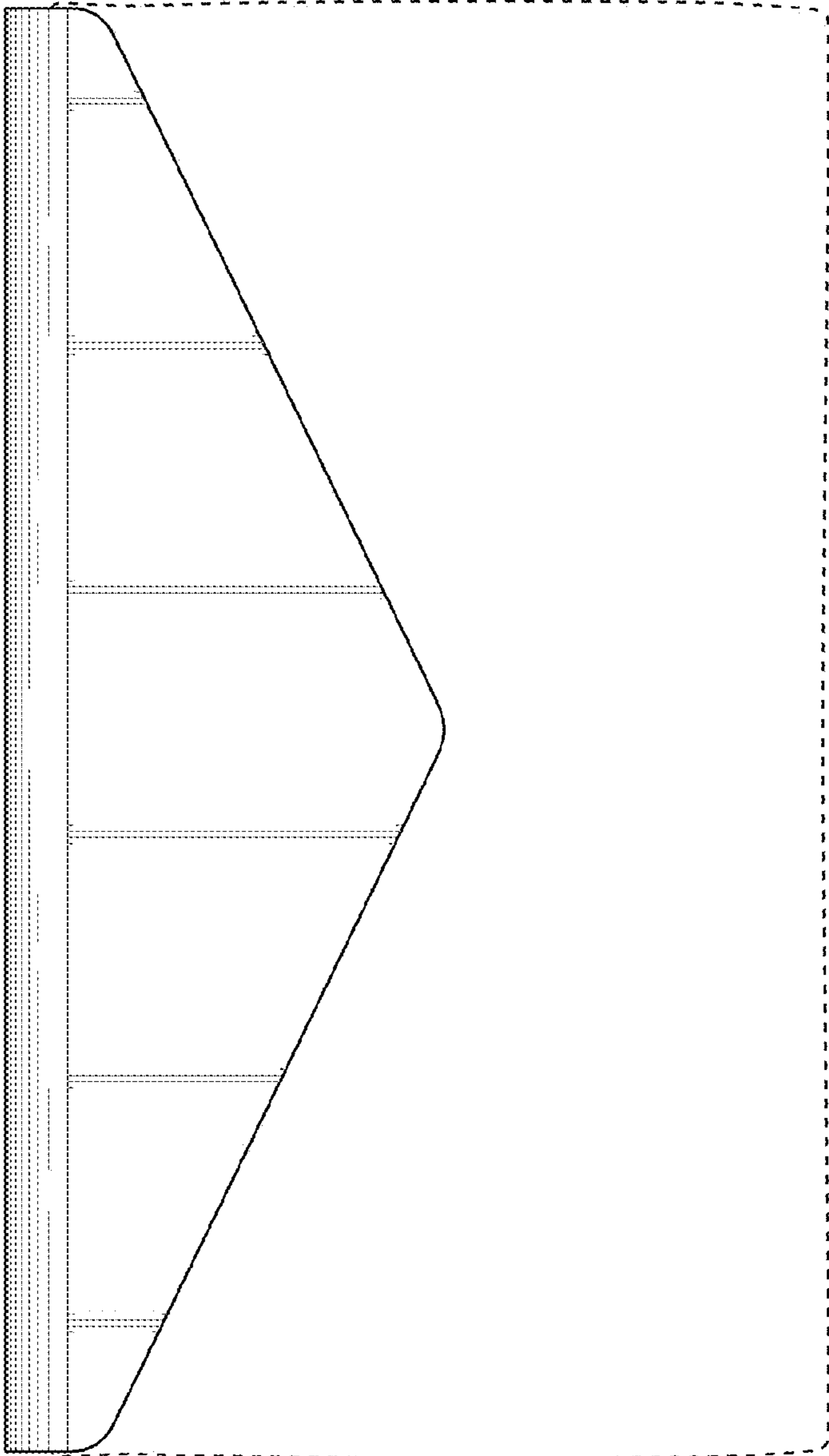


FIG. 2

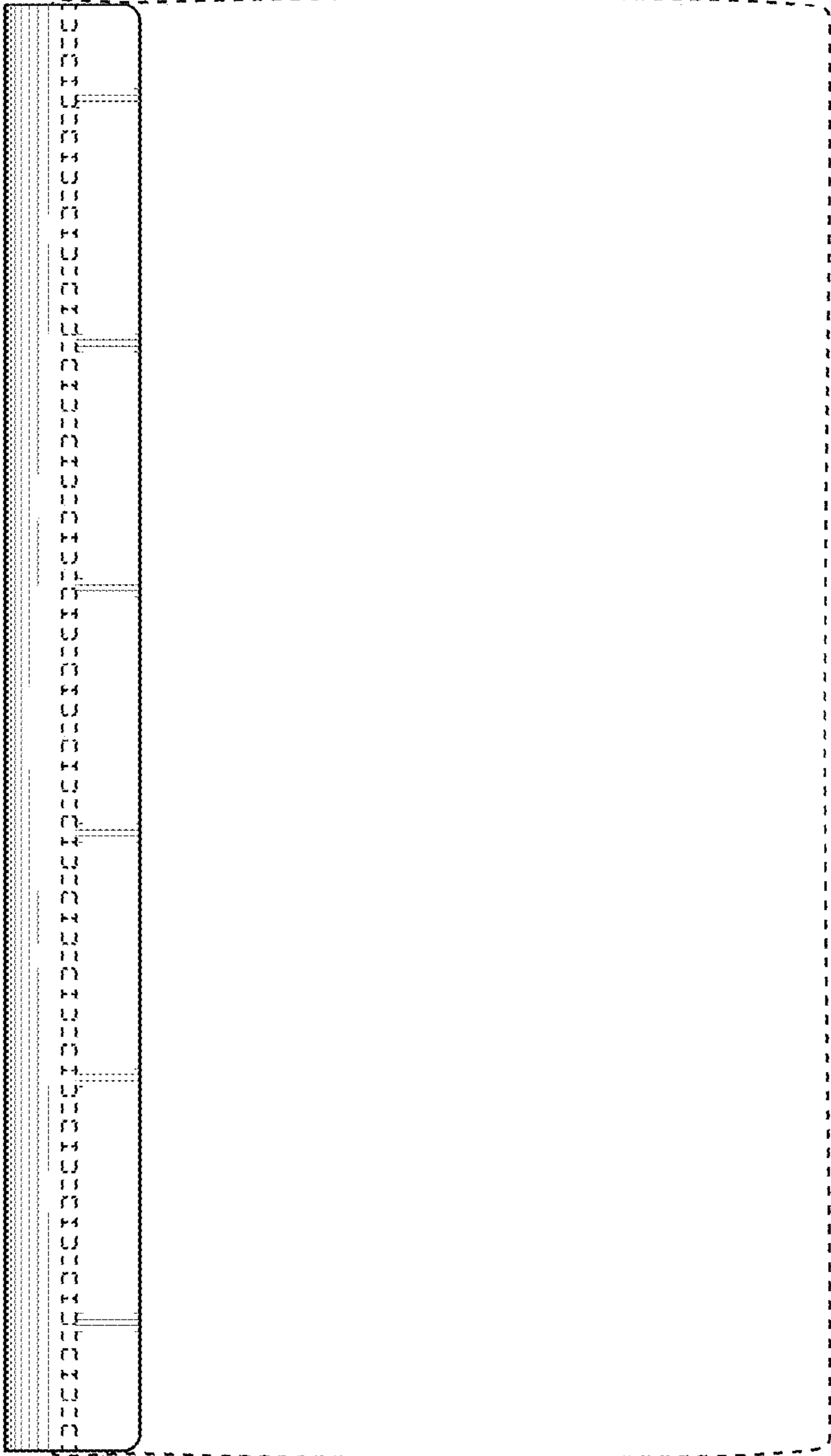


FIG. 3

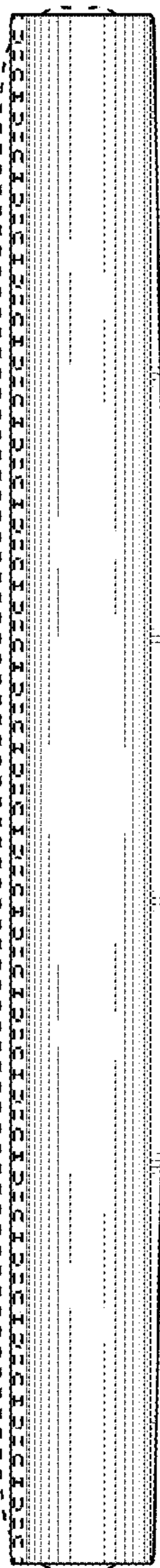


FIG. 5

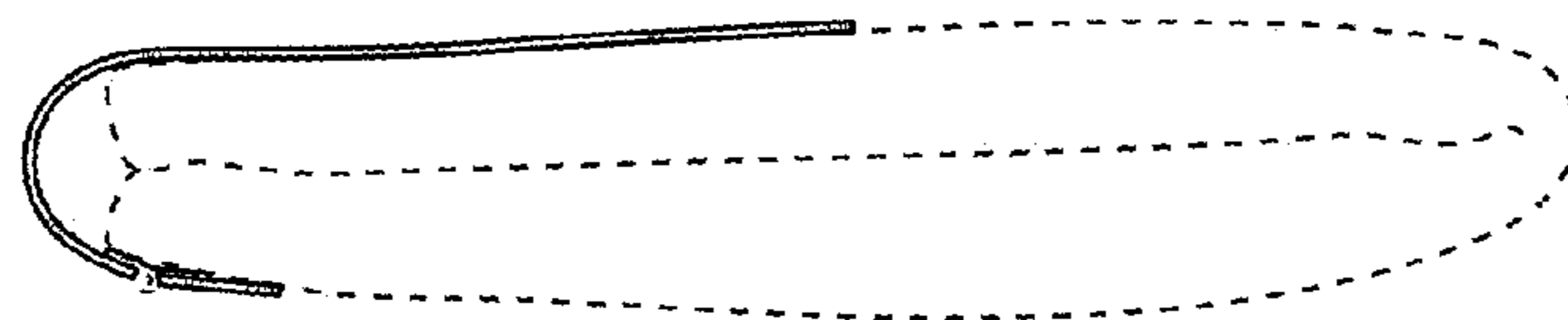


FIG. 4



FIG. 6