



US00D749849S

(12) **United States Design Patent**
Baruch

(10) **Patent No.:** **US D749,849 S**

(45) **Date of Patent:** **** *Feb. 23, 2016**

(54) **BIN**

(71) Applicant: **The Stanley Works Israel Ltd.**, Rosh Ha' Ayin (IL)

(72) Inventor: **Danny Baruch**, Lapid (IL)

(73) Assignee: **The Stanley Works Israel Ltd.**, Rosh Ha' Ayin (IL)

(*) Notice: This patent is subject to a terminal disclaimer.

(**) Term: **14 Years**

(21) Appl. No.: **29/441,860**

(22) Filed: **Jan. 10, 2013**

(30) **Foreign Application Priority Data**

Jul. 11, 2012 (EM) 001334452

(51) **LOC (10) Cl.** **03-01**

(52) **U.S. Cl.**
USPC **D3/310**

(58) **Field of Classification Search**

USPC D3/20, 200, 201, 203.1, 203.3,
D3/205-206, 273, 276, 304-315;
D6/475-476, 525; D19/75, 77, 86, 90,
D19/92, 100; 206/203, 214, 215, 822,
206/307.1; 229/100, 913-914, 406
CPC B65D 47/00; B65D 2501/24585;
B65D 2583/08; A47F 3/02

See application file for complete search history.

(56) **References Cited**

U.S. PATENT DOCUMENTS

2,677,483	A	*	5/1954	Shaw	222/556
D282,883	S	*	3/1986	Kiiski	D3/304
D380,639	S	*	7/1997	Tisbo	D6/629
D382,405	S	*	8/1997	Ohayon	D3/313
D385,112	S	*	10/1997	Birnbaum	D3/313
D388,234	S	*	12/1997	Joshua, II	D99/34
D404,957	S	*	2/1999	Cheris et al.	D6/629
D416,046	S	*	11/1999	Ausejo	D19/78
D538,537	S	*	3/2007	Osborn	D3/313
D561,473	S	*	2/2008	Phillips et al.	D3/304
D621,619	S	*	8/2010	Ripoll	D3/304
D628,802	S	*	12/2010	Kraemer	D3/318
D636,601	S	*	4/2011	Brown et al.	D3/304
D645,903	S	*	9/2011	Tsai	D19/90
D660,058	S	*	5/2012	Kincaid et al.	D6/510
D660,650	S	*	5/2012	Moore	D7/553.2

* cited by examiner

Primary Examiner — Kelley Donnelly

(74) *Attorney, Agent, or Firm* — Adan Ayala

(57) **CLAIM**

The ornamental design for a bin, as shown and described.

DESCRIPTION

FIG. 1 is a perspective view of a bin according to the invention.

FIG. 2 is a front elevational view of the bin.

FIG. 3 is a rear elevational view of the bin.

FIG. 4 is a right side view of the bin.

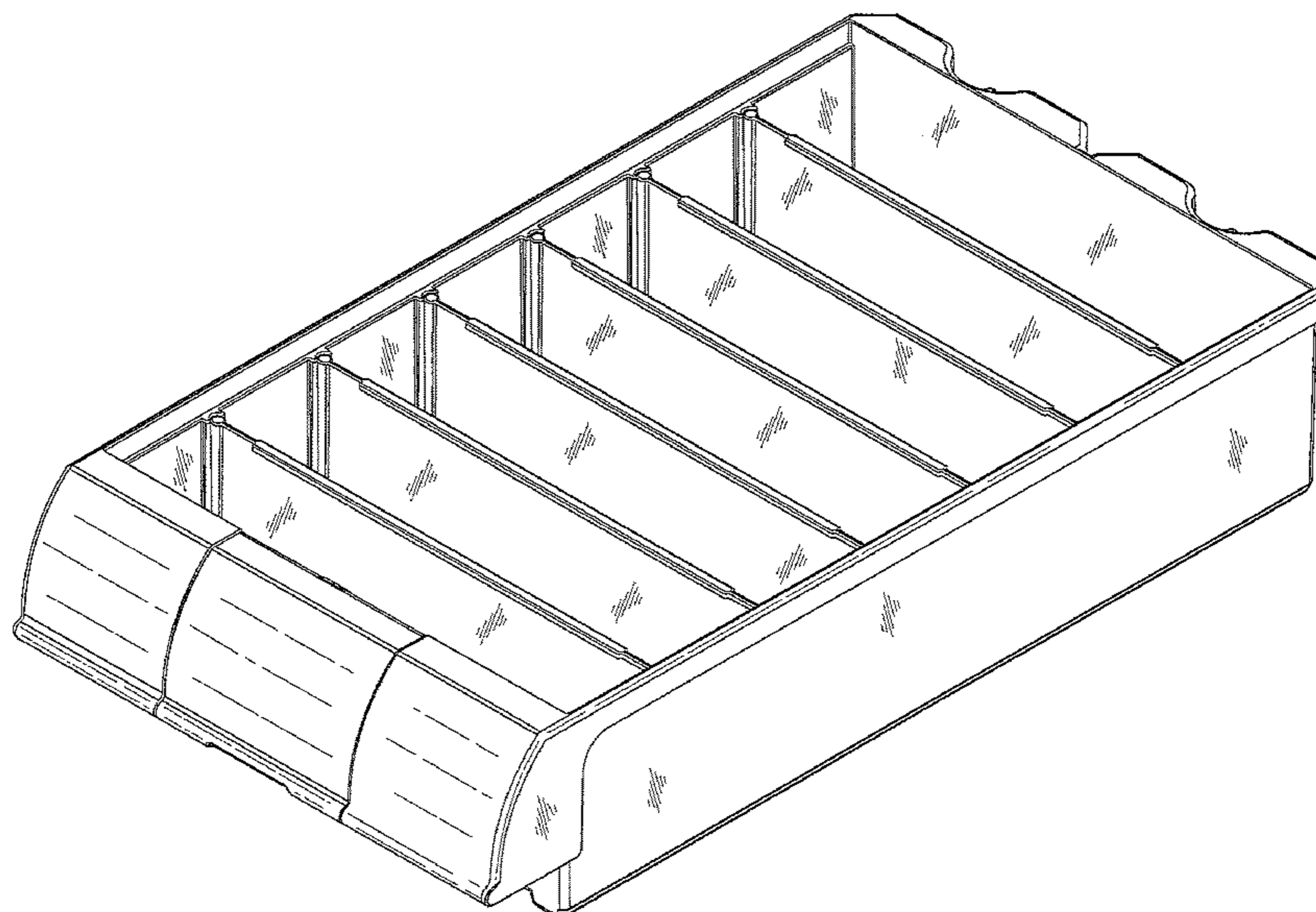
FIG. 5 is a left side view of the bin.

FIG. 6 is a top plan view of the bin; and,

FIG. 7 is a bottom plan view of the bin.

The portions shown in broken lines form no parts of the claimed design.

1 Claim, 5 Drawing Sheets



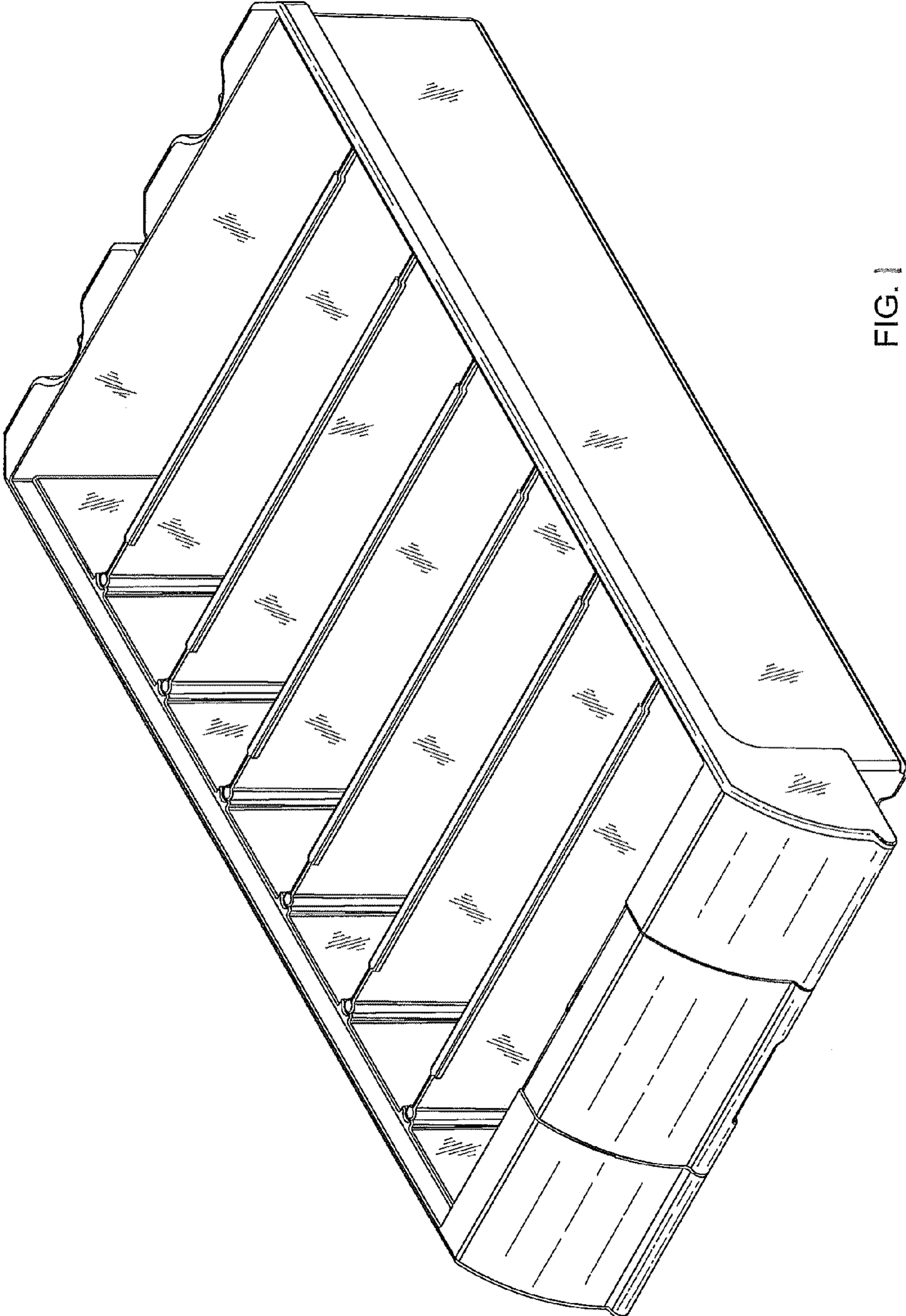


FIG. 1

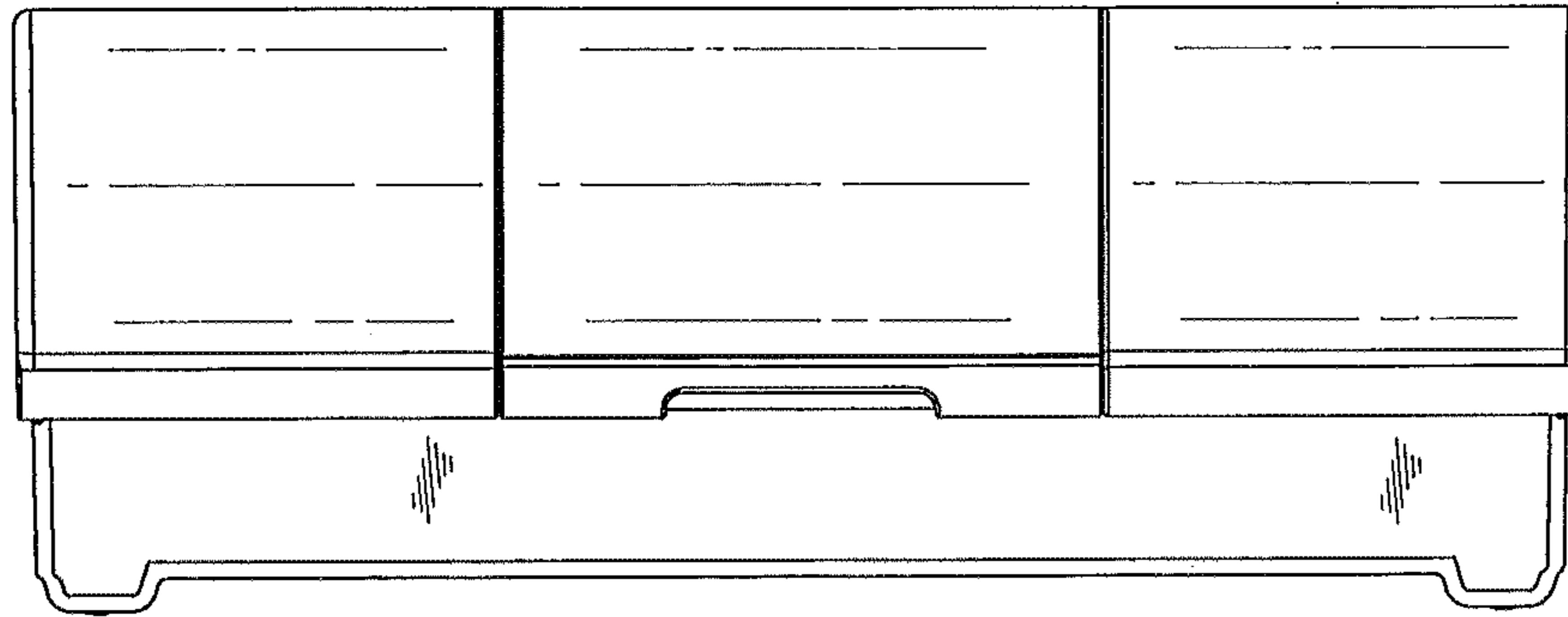


FIG. 2

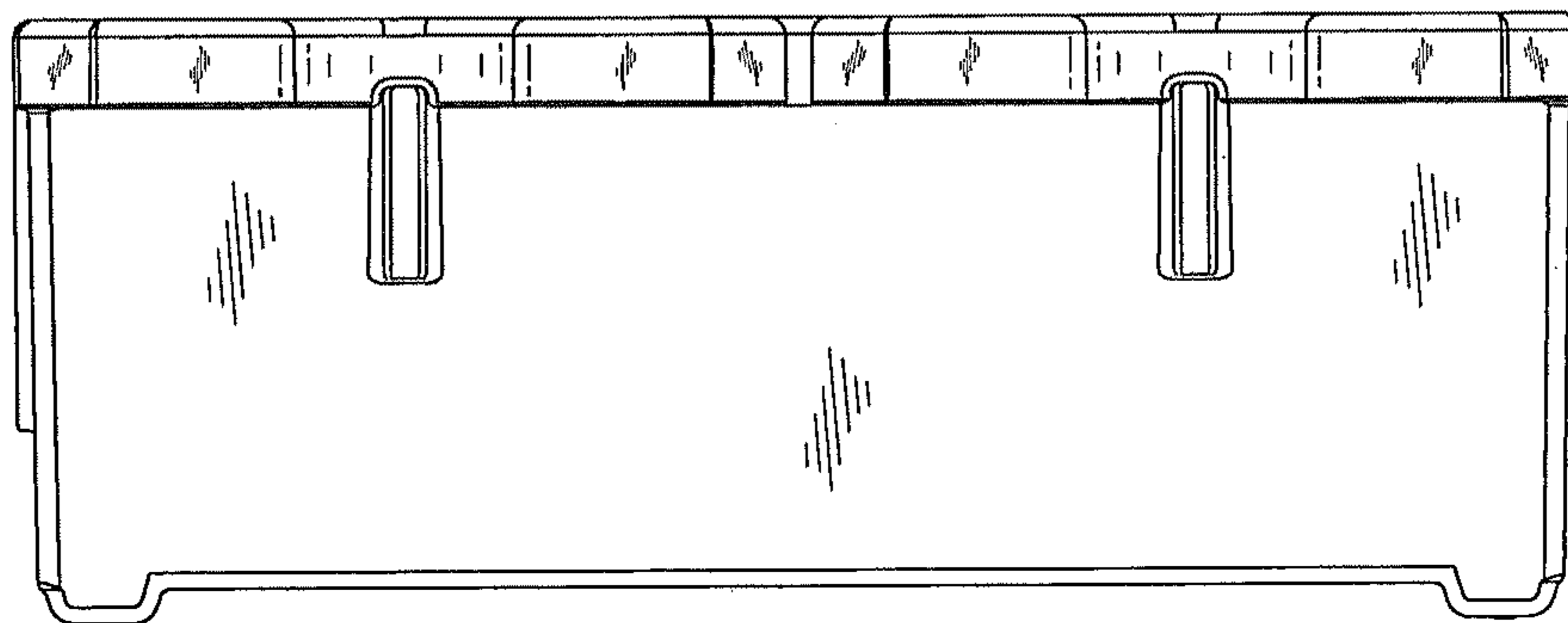


FIG. 3

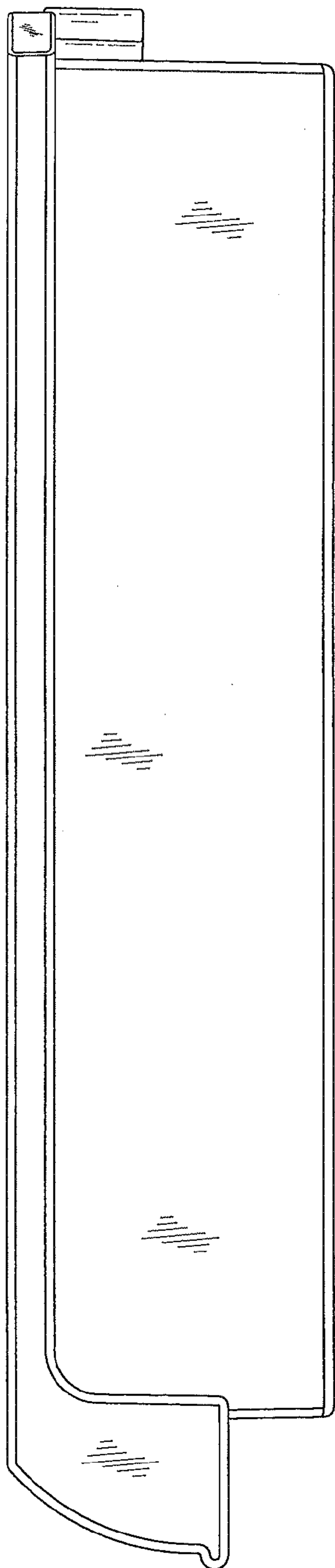


FIG. 4

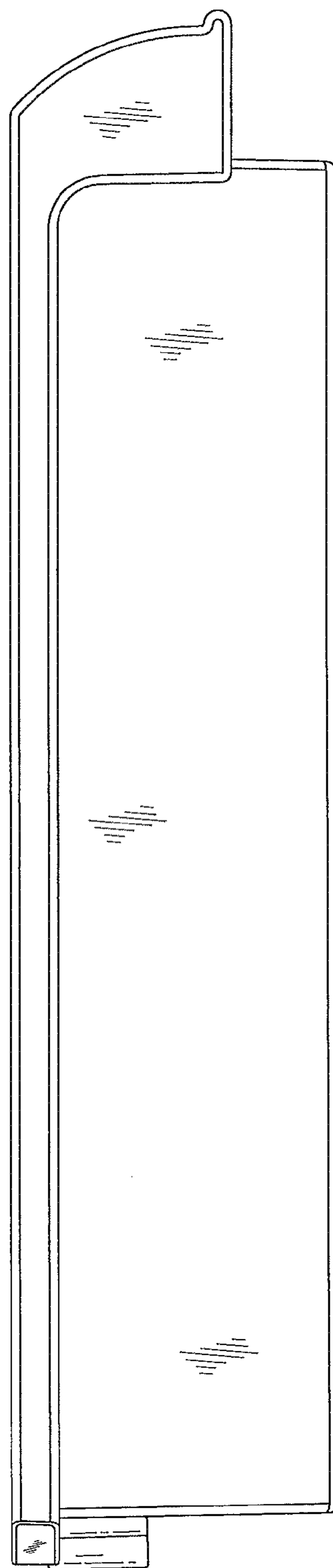


FIG. 5

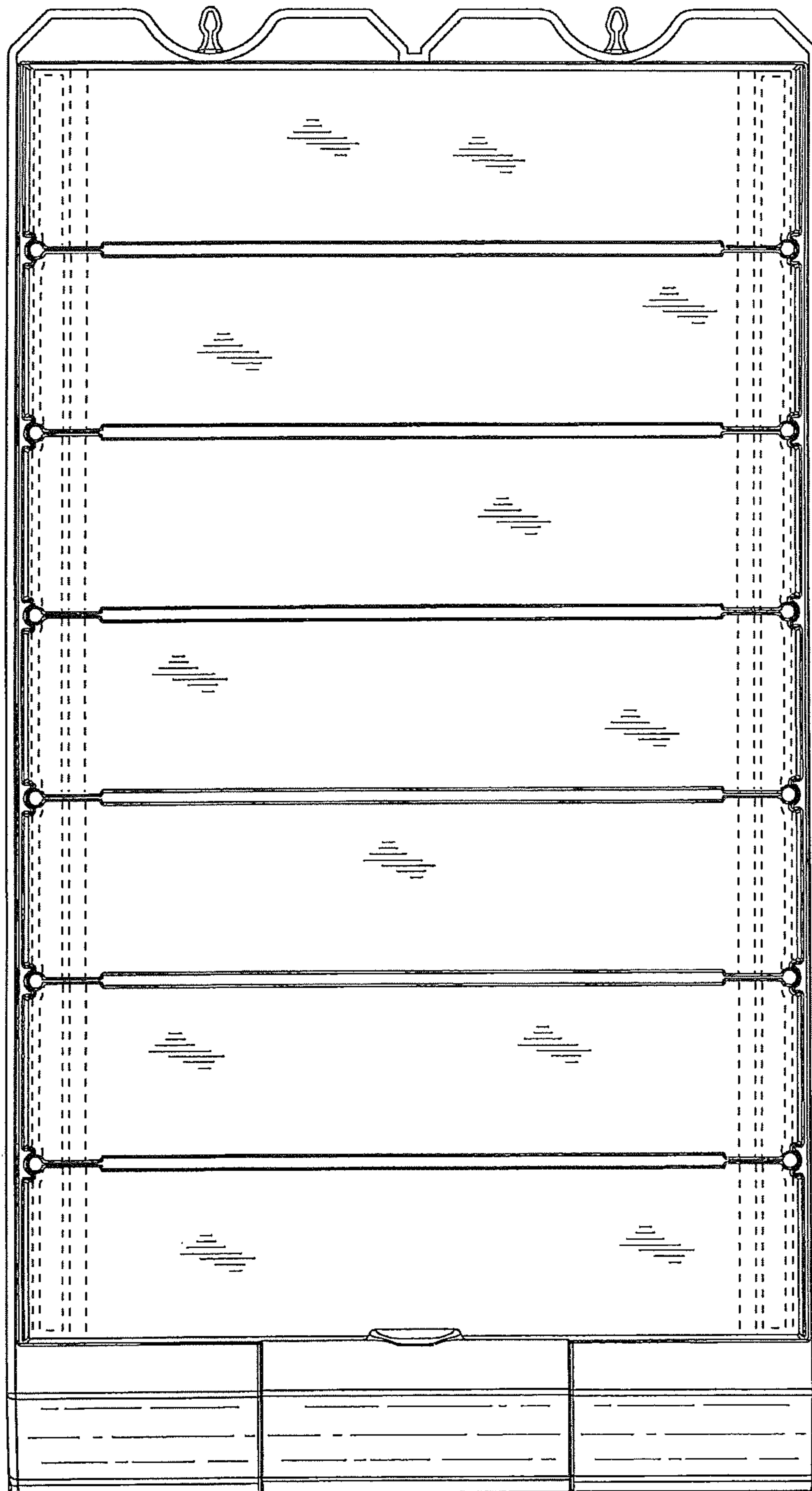


FIG. 6

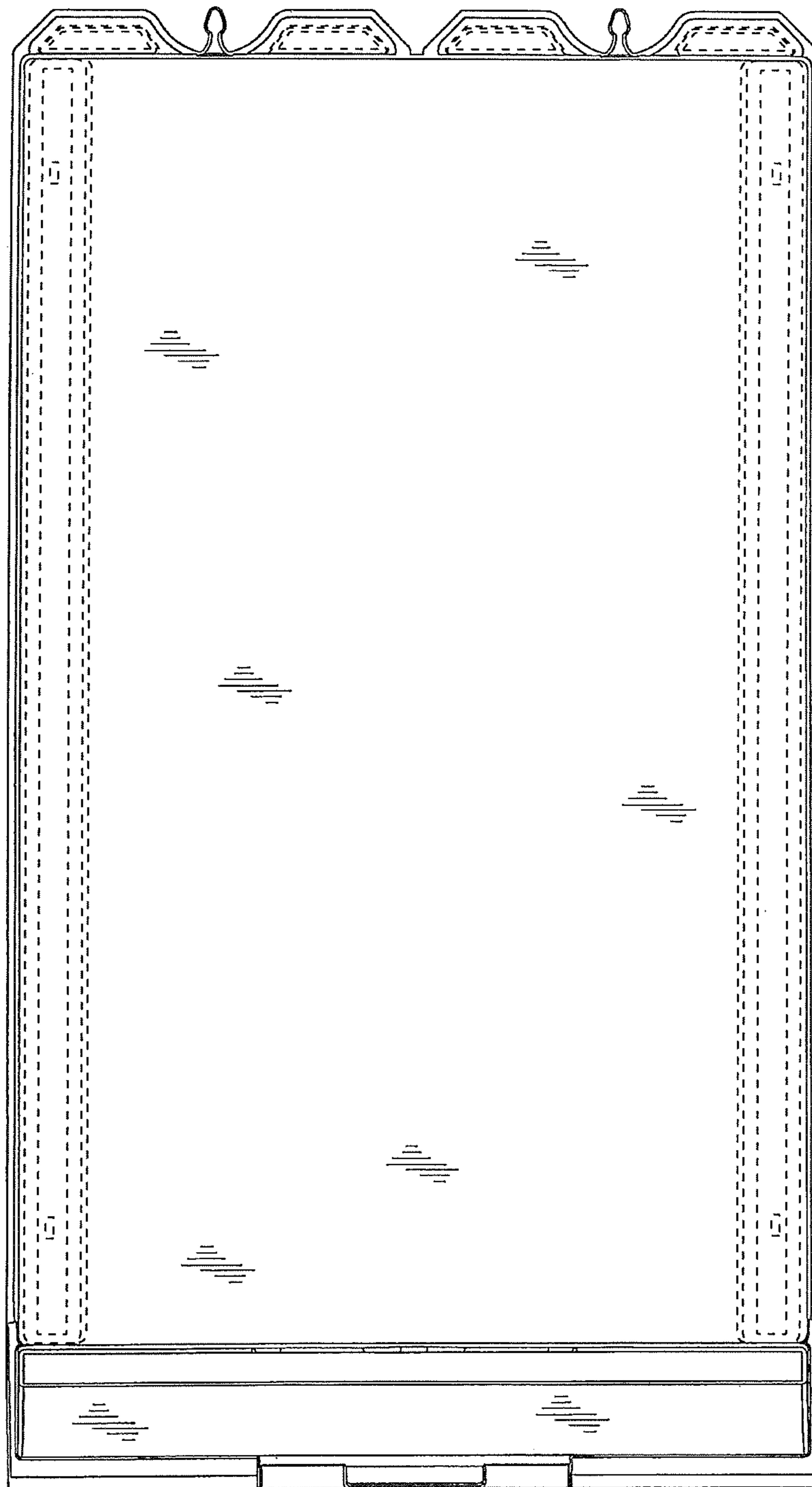


FIG. 7