



US00D749847S

(12) **United States Design Patent**
Koeniger

(10) **Patent No.:** **US D749,847 S**

(45) **Date of Patent:** **** Feb. 23, 2016**

- (54) **BOX FOR BITS AND/OR TOOLS**
- (71) Applicant: **Hilti Aktiengesellschaft**, Schaan (LI)
- (72) Inventor: **Tobias Koeniger**, Bregenz (AT)
- (73) Assignee: **Hilti Aktiengesellschaft**, Schaan (LI)
- (**) Term: **14 Years**
- (21) Appl. No.: **29/522,269**
- (22) Filed: **Mar. 30, 2015**

Related U.S. Application Data

- (62) Division of application No. 29/477,228, filed on Dec. 20, 2013, now Pat. No. Des. 729,520.

Foreign Application Priority Data

- (30) Jul. 2, 2013 (WO) DM/081 247
- (51) **LOC (10) Cl.** **03-01**
- (52) **U.S. Cl.**
USPC **D3/294; D3/905**
- (58) **Field of Classification Search**
USPC D3/276, 279, 281, 282, 284, 291, 294,
D3/295, 297, 298, 901, 905, 288, 292, 273,
D3/302; 206/372-379, 1.7; 220/523-528,
220/324, 4.21; D19/106, 83
CPC . B25H 3/02-3/028; B25H 3/00; B25H 3/003;
B25H 3/006
See application file for complete search history.

References Cited

U.S. PATENT DOCUMENTS

- D335,896 S * 5/1993 Evenson D19/83
- D418,977 S 1/2000 Streich
- D447,634 S 9/2001 Snider
- D450,921 S 11/2001 Kirkland
- D477,714 S 7/2003 Cunningham et al.

- D477,912 S 8/2003 Cunningham et al.
- D481,868 S 11/2003 Cunningham et al.
- D502,316 S 3/2005 Chen
- D516,808 S 3/2006 Brunson et al.
- 7,246,704 B2 7/2007 Brunson et al.
- D548,971 S 8/2007 Lin
- D552,352 S 10/2007 Lin
- D555,902 S 11/2007 Pendergraph et al.

(Continued)

Primary Examiner — Jennifer Rivard

Assistant Examiner — April Rivas

(74) *Attorney, Agent, or Firm* — Crowell & Moring LLP

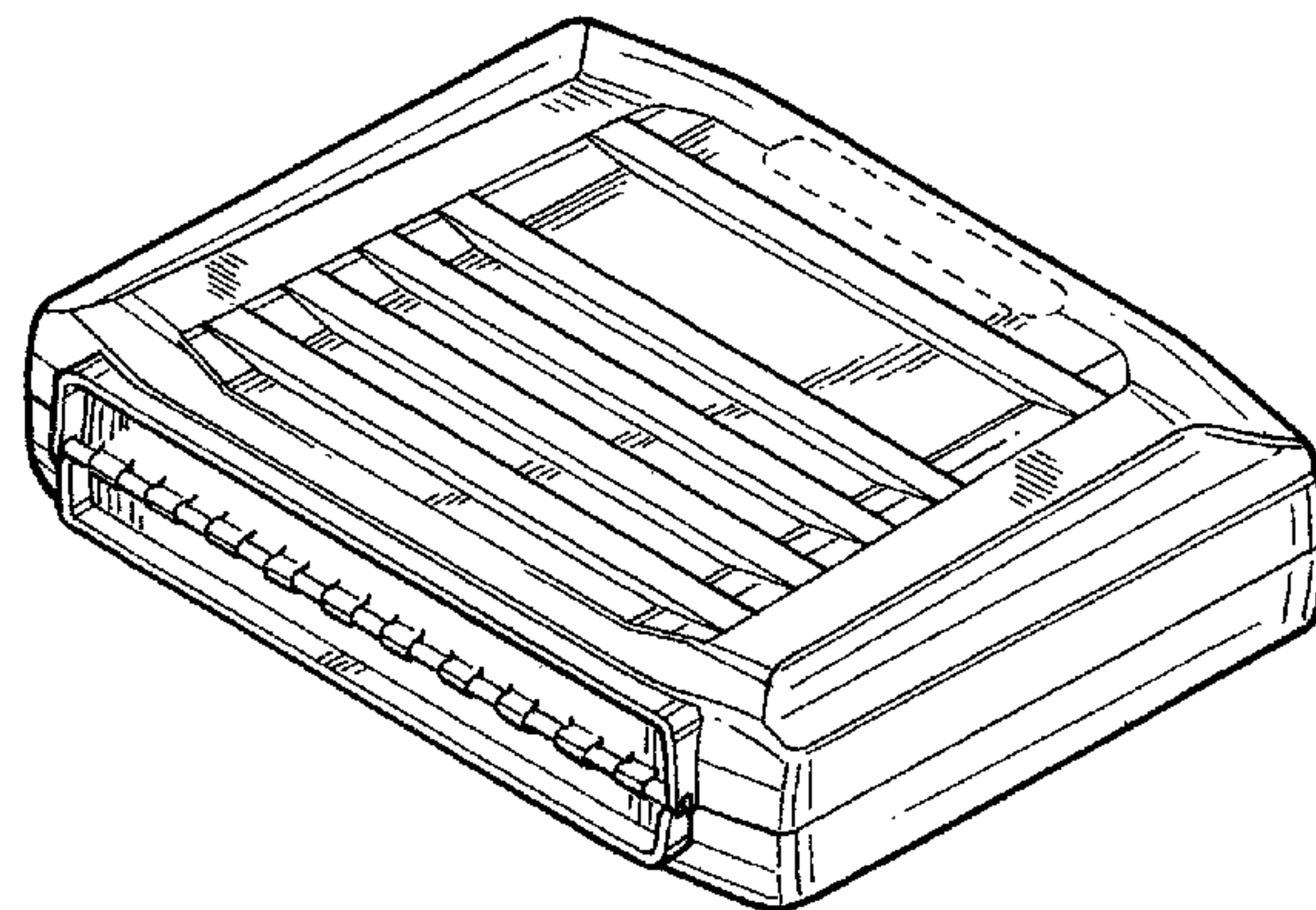
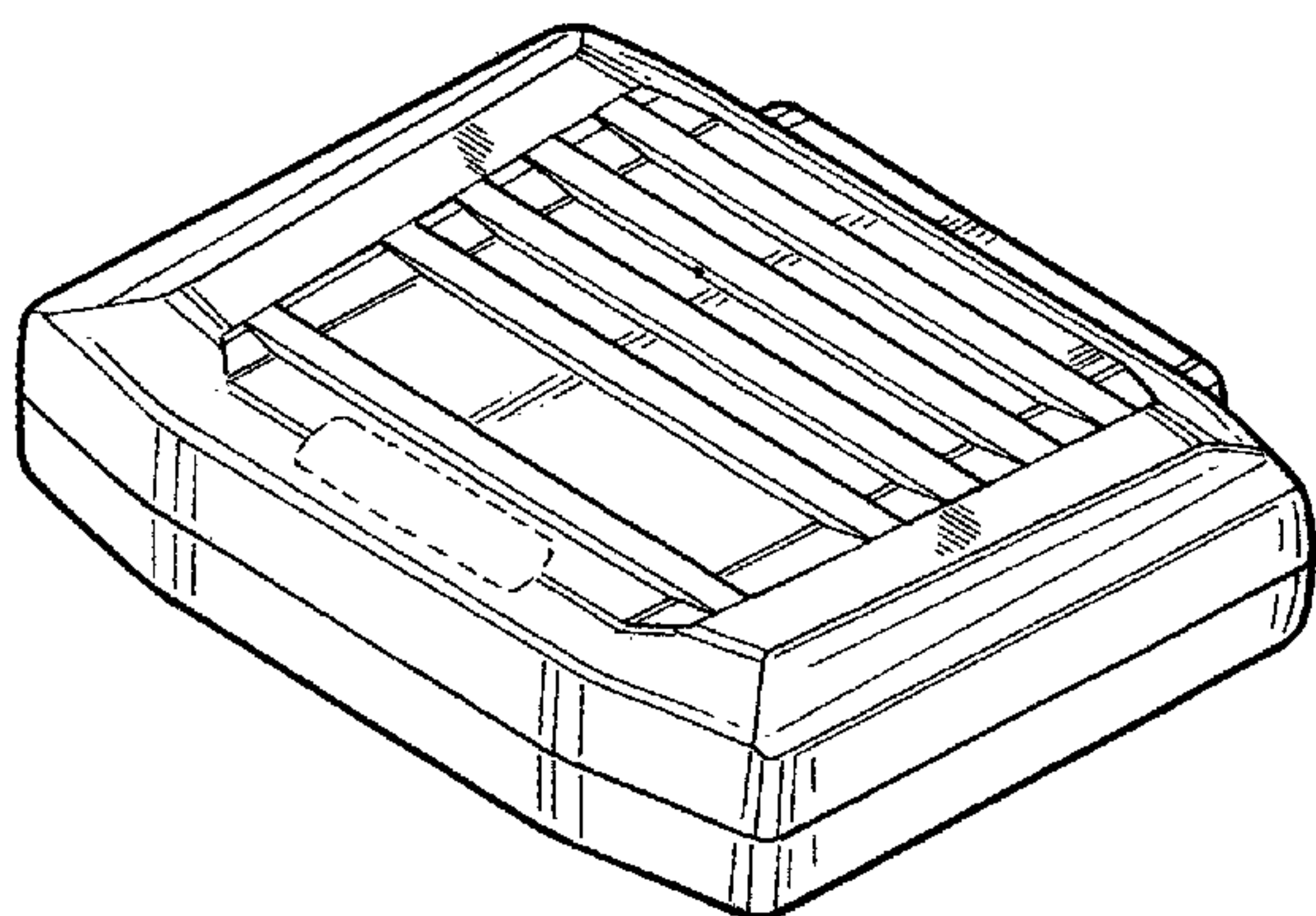
(57) **CLAIM**

The ornamental design for a box for bits and/or tools, as shown and described.

DESCRIPTION

FIG. 1 is a top, front perspective view of a first embodiment of a box for bits and/or tools according to the design; FIG. 2 is top, rear perspective view thereof; FIG. 3 is a top view thereof; FIG. 4 is a bottom view thereof; FIG. 5 is a front view thereof; FIG. 6 is a rear view thereof; FIG. 7 is a left side view thereof; and FIG. 8 is a right side view thereof. FIG. 9 is a top, front perspective view of a second embodiment of the box for bits and/or tools according to the design; FIG. 10 is top, rear perspective view thereof; FIG. 11 is a top view thereof; FIG. 12 is a bottom view thereof; FIG. 13 is a front view thereof; FIG. 14 is a rear view thereof; FIG. 15 is a left side view thereof; and, FIG. 16 is a right side view thereof. The broken lines illustrate portions of the box for bits and/or tools and form no part of the claimed design.

1 Claim, 6 Drawing Sheets



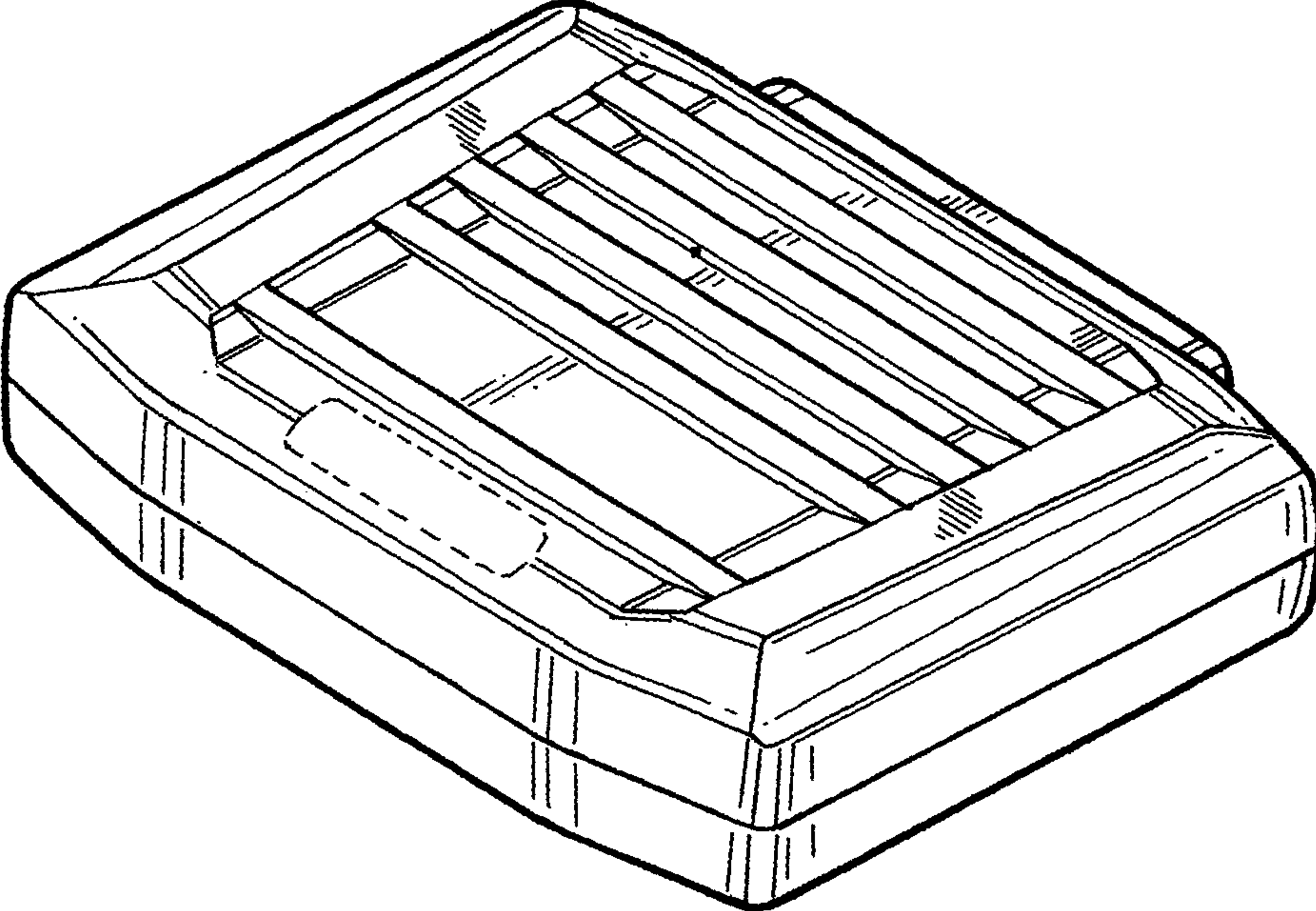


FIG. 1

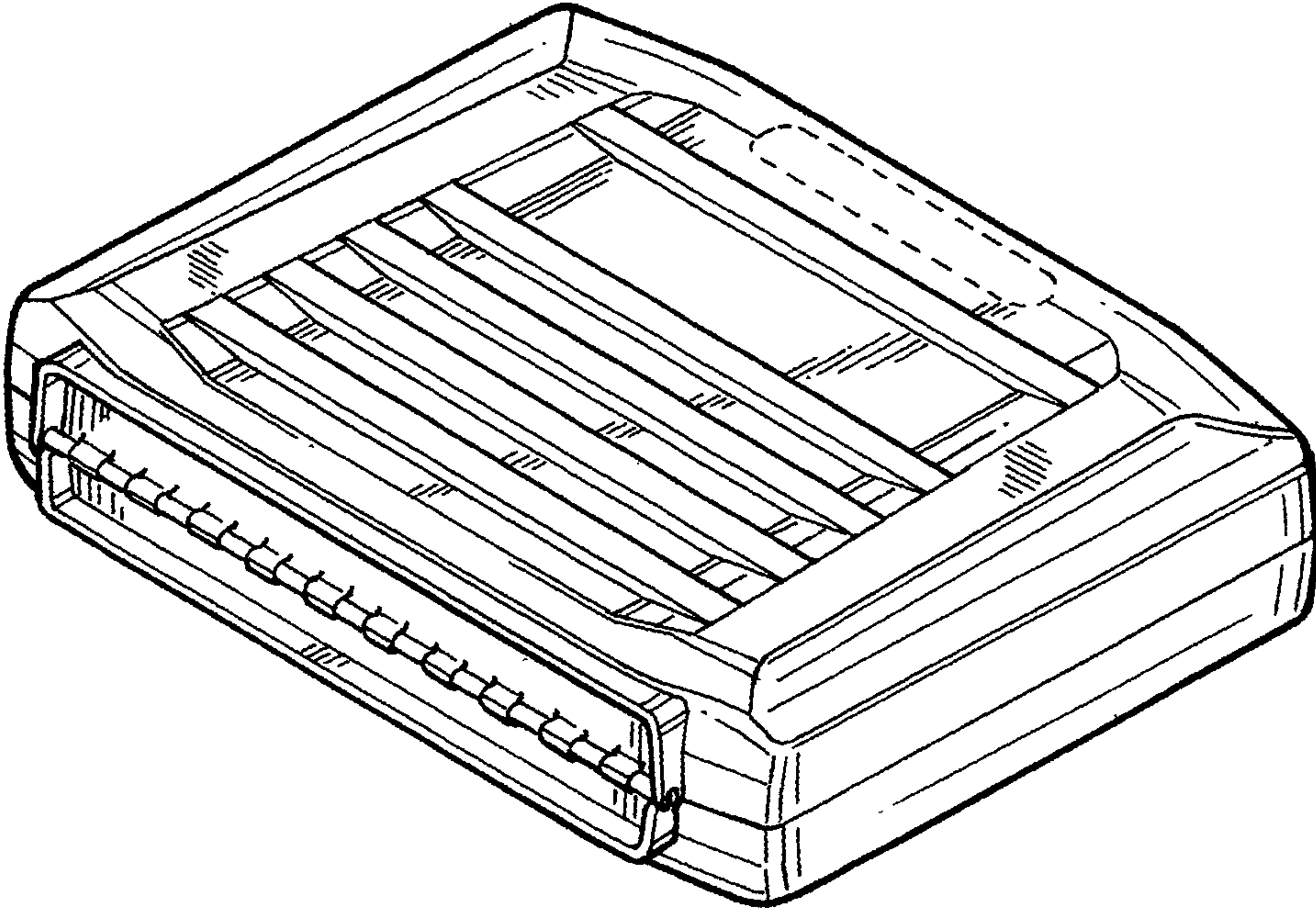


FIG. 2

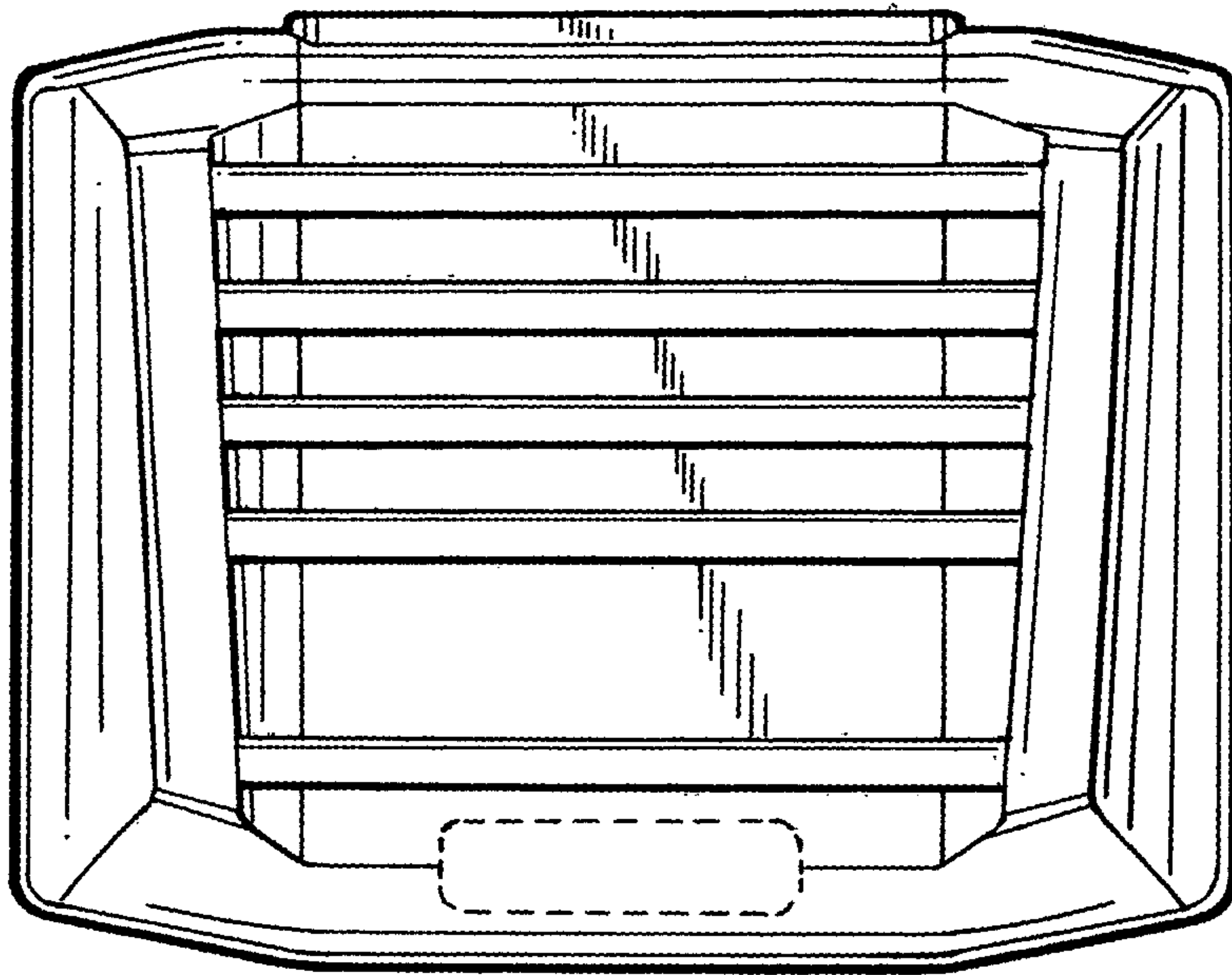


FIG. 3

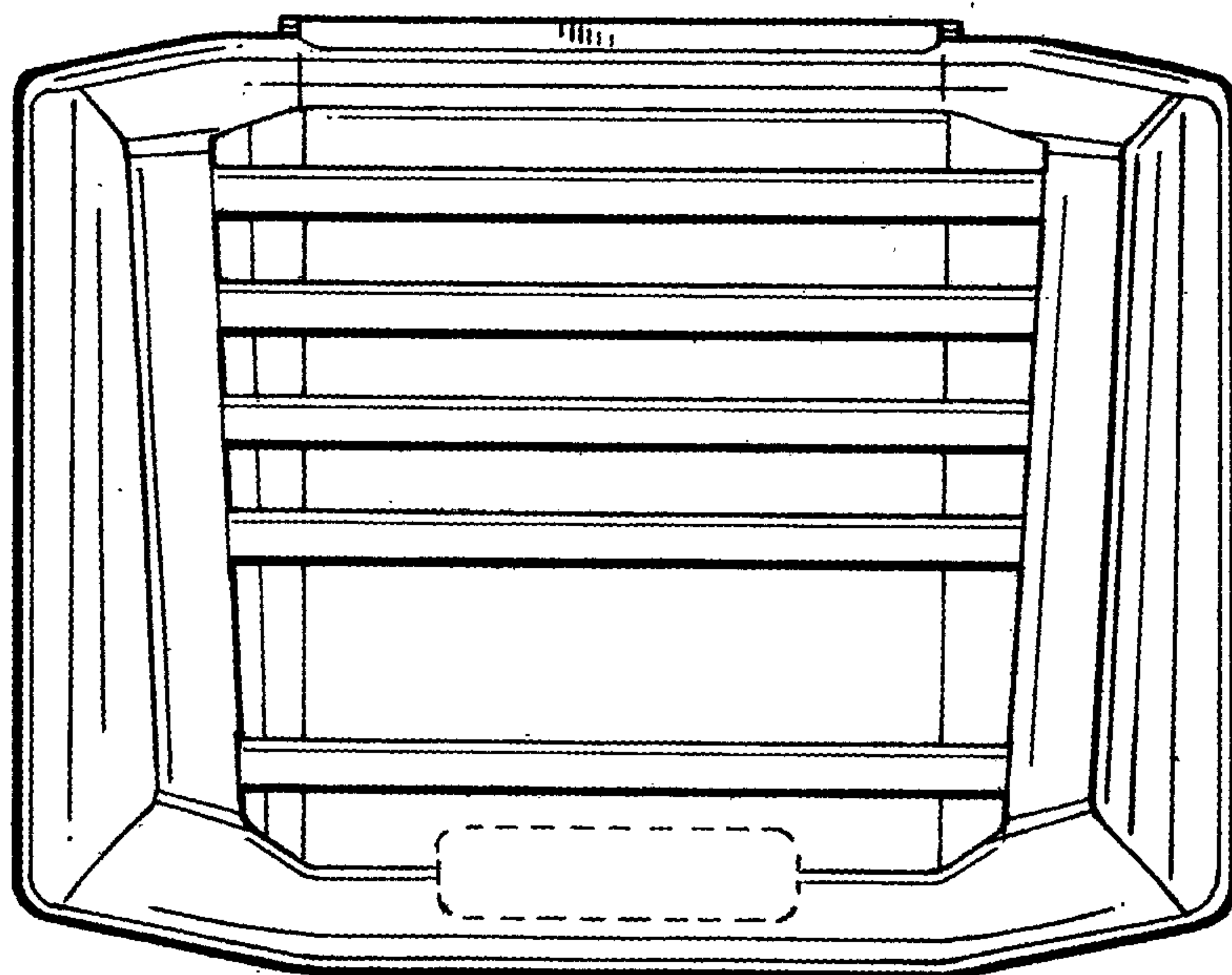


FIG. 4

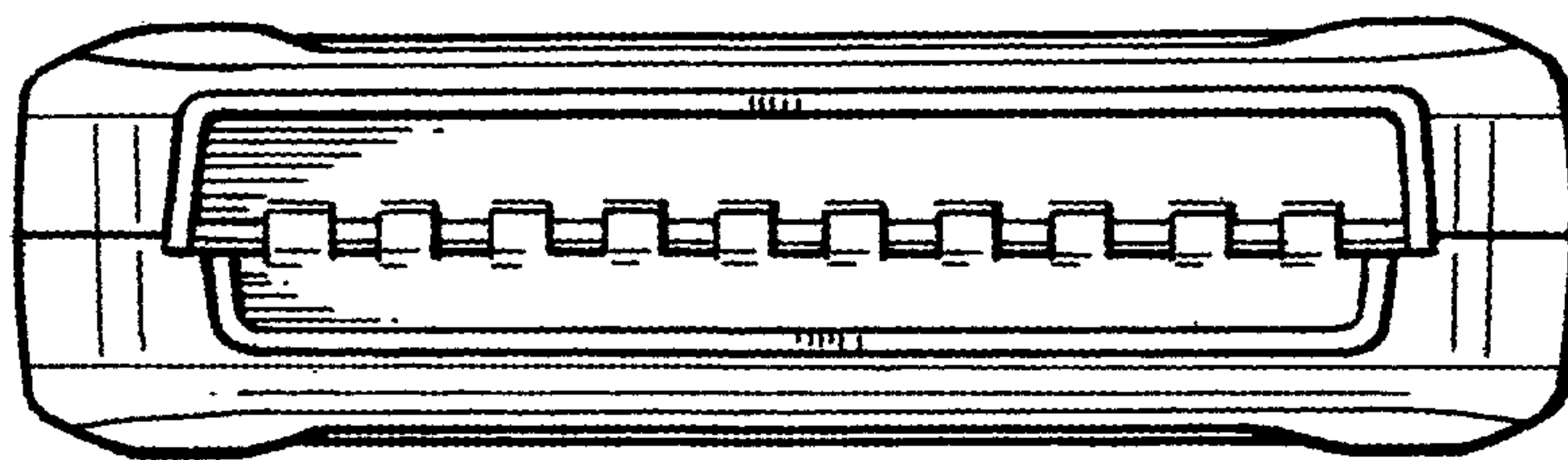


FIG. 5

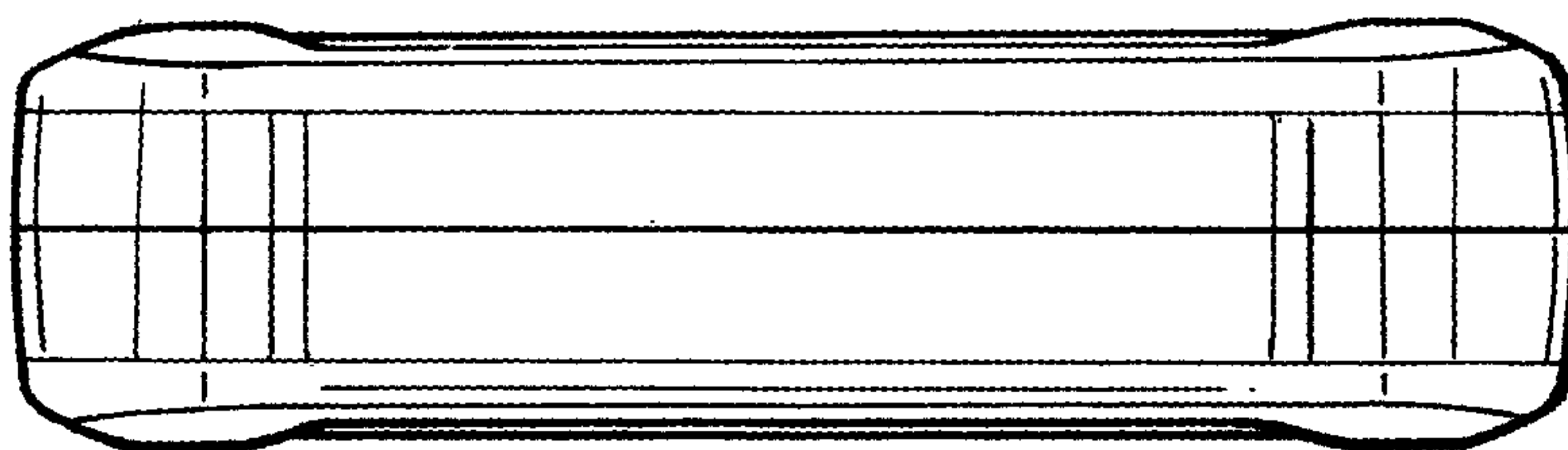


FIG. 6

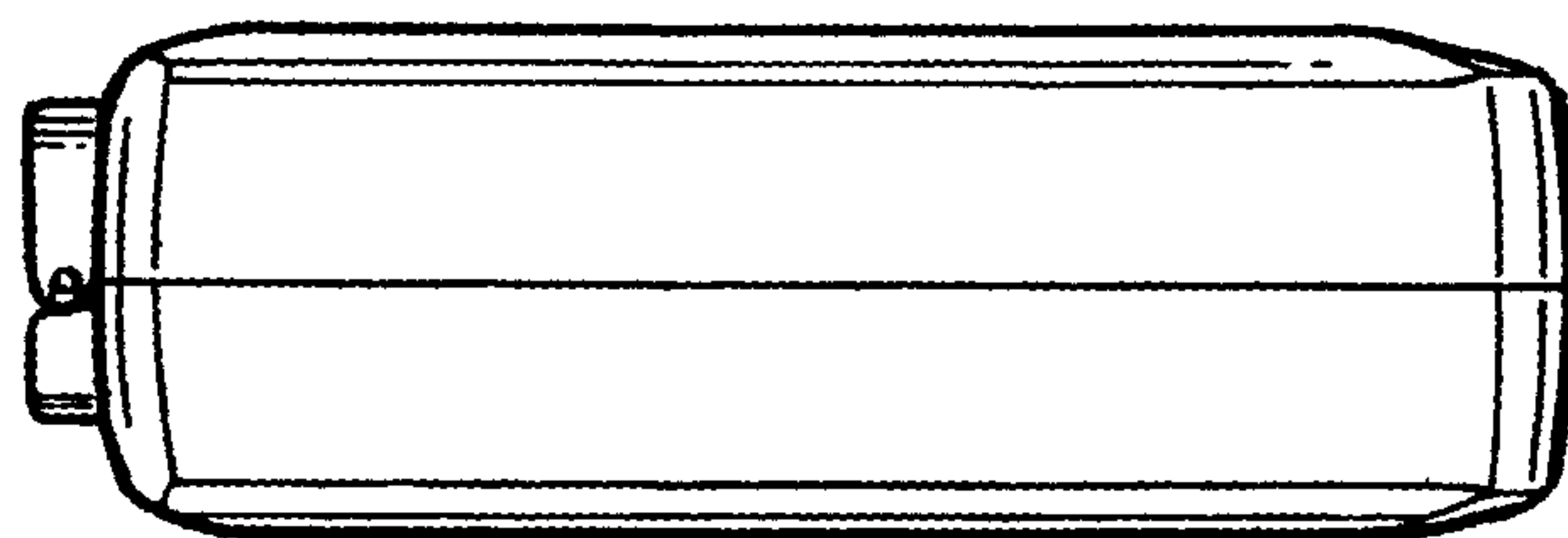


FIG. 7

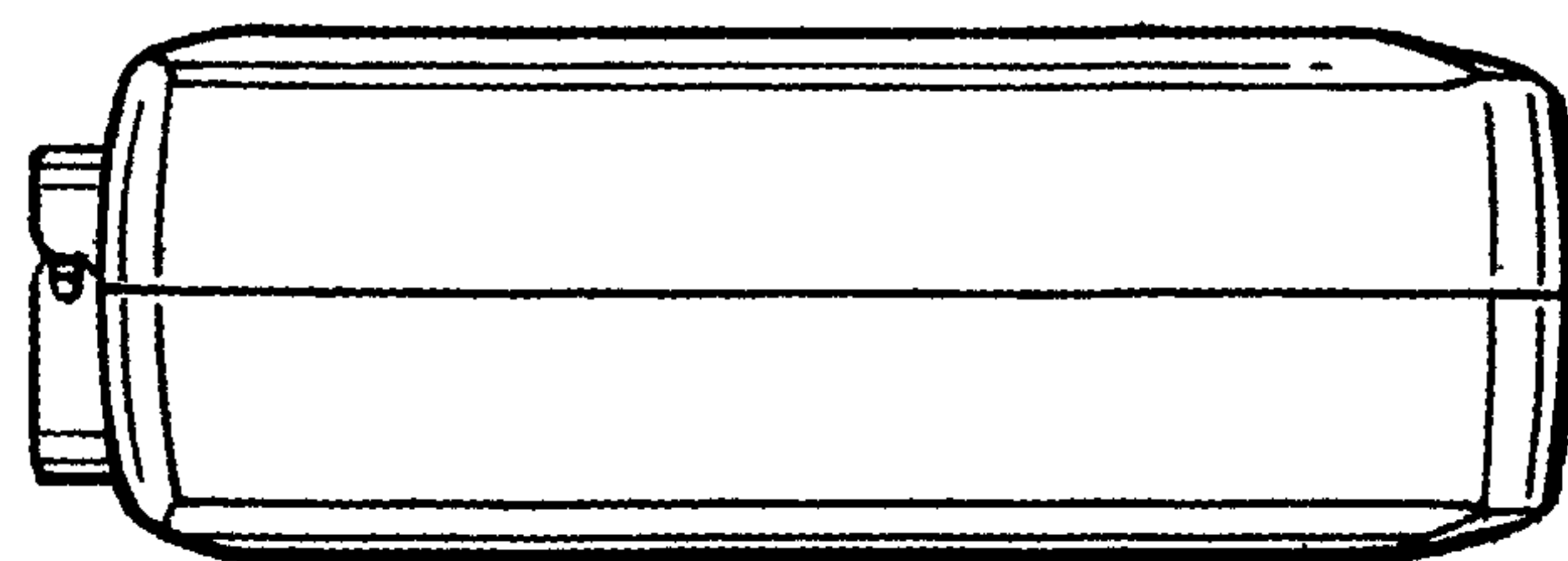


FIG. 8

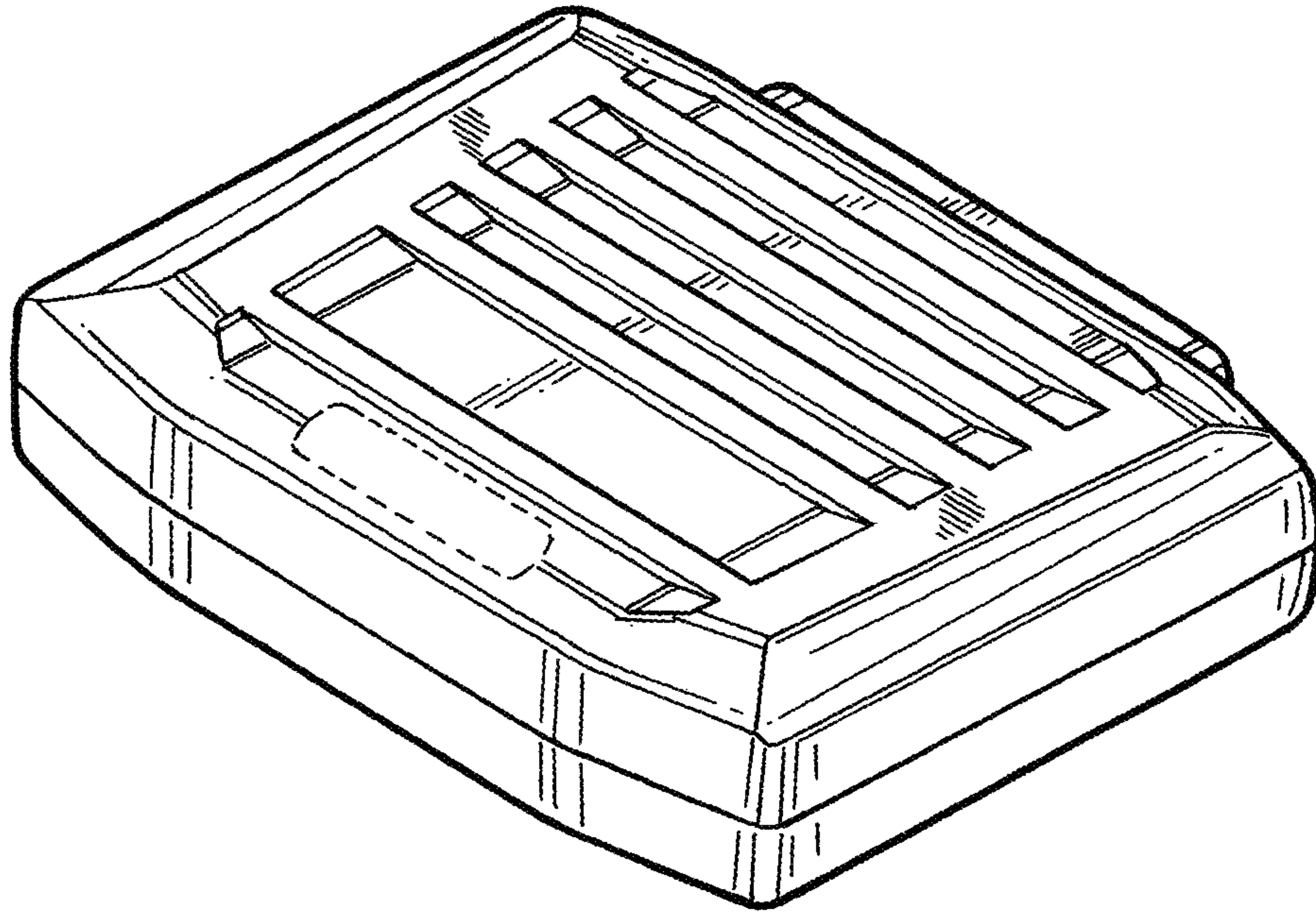


FIG. 9

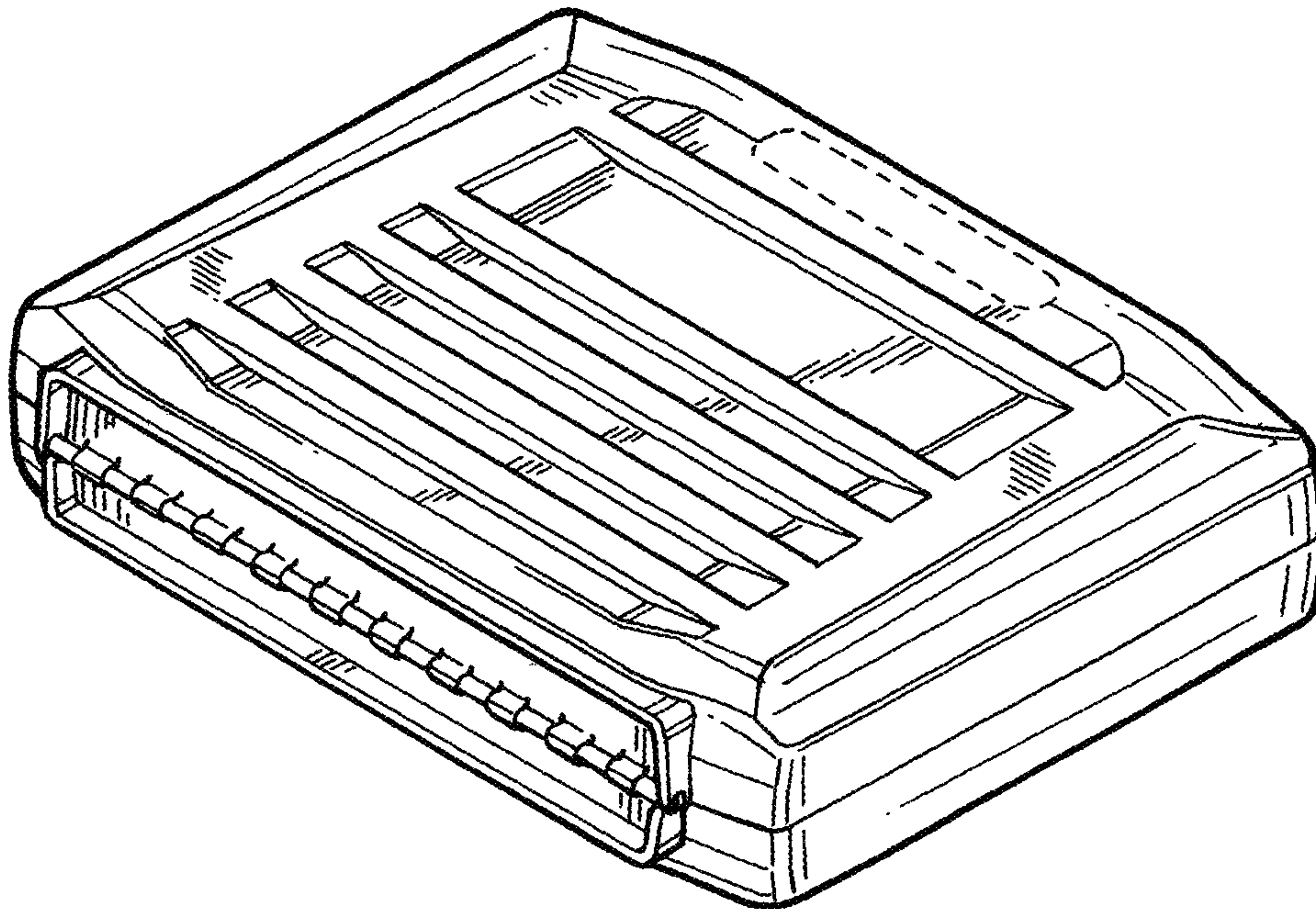


FIG. 10

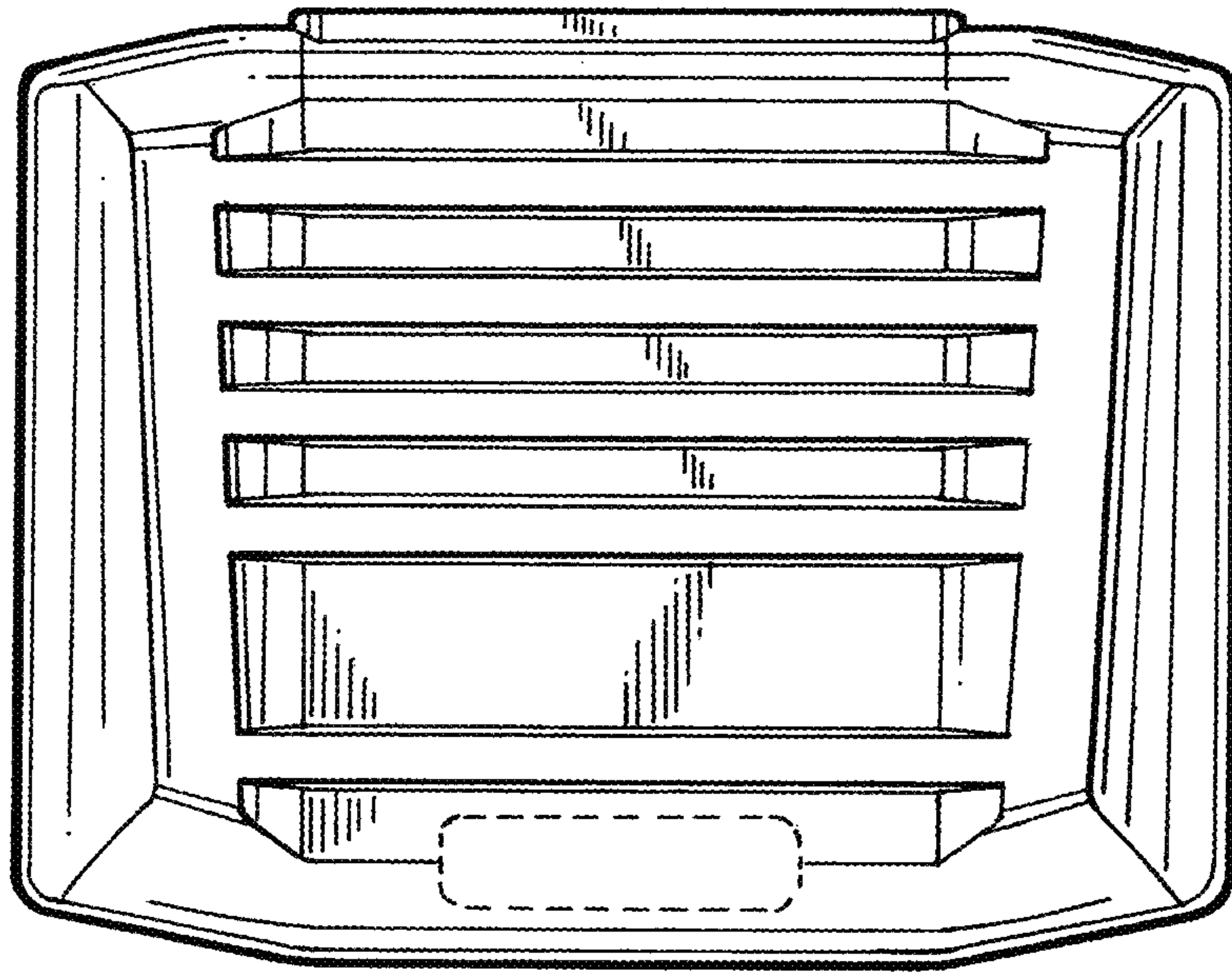


FIG. 11

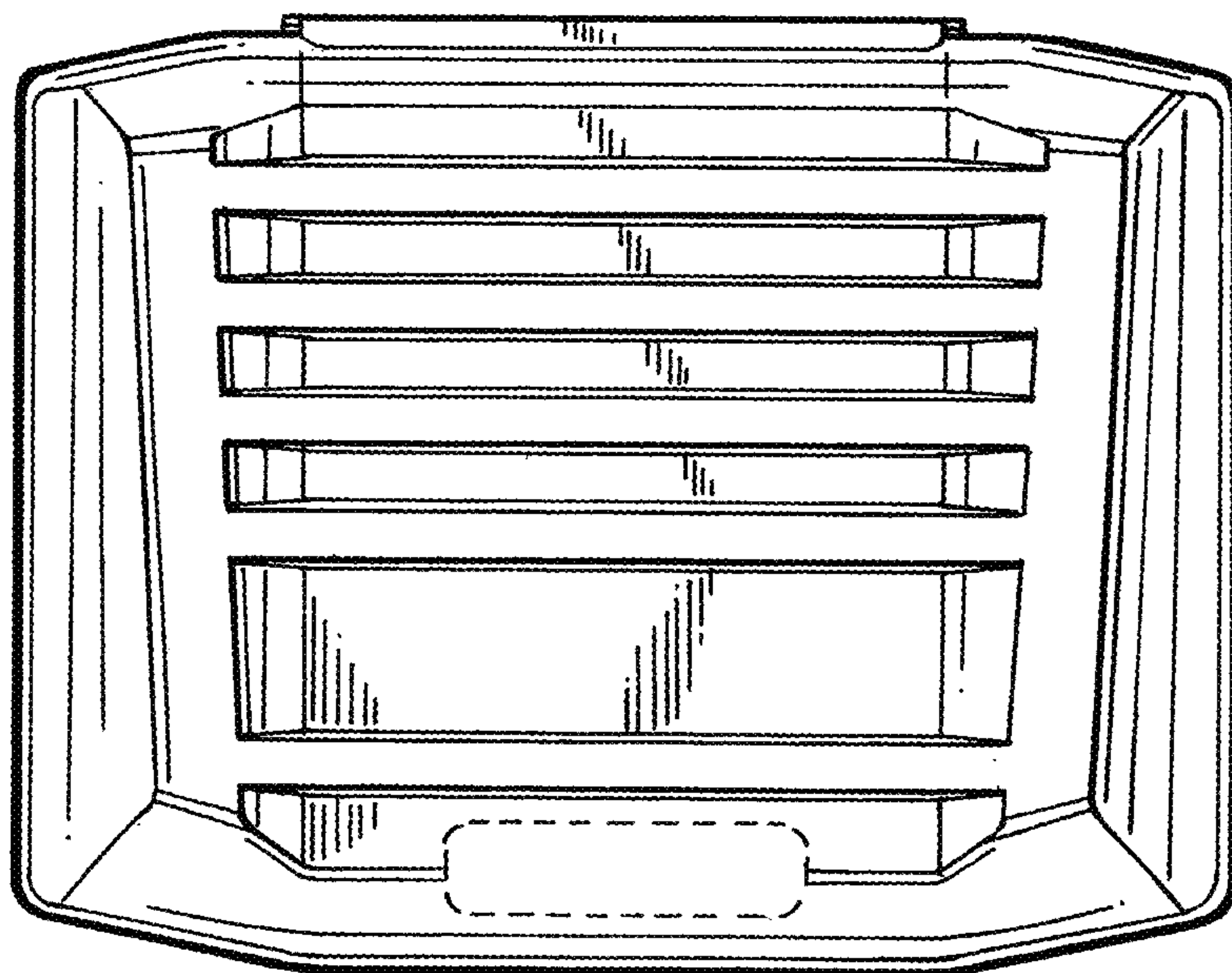


FIG. 12

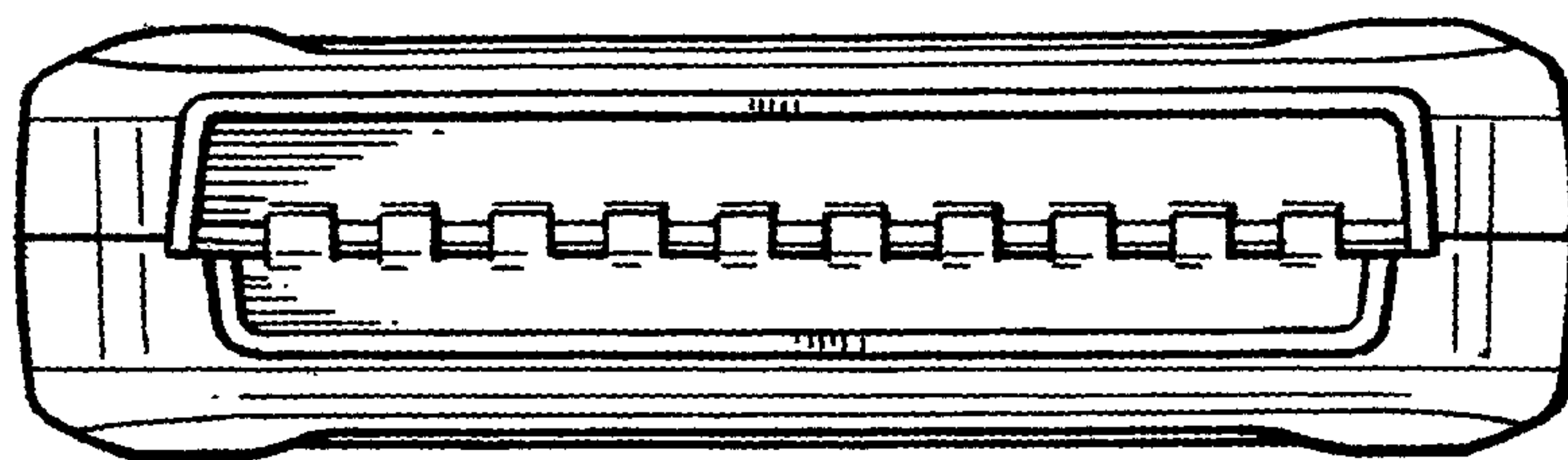


FIG. 13

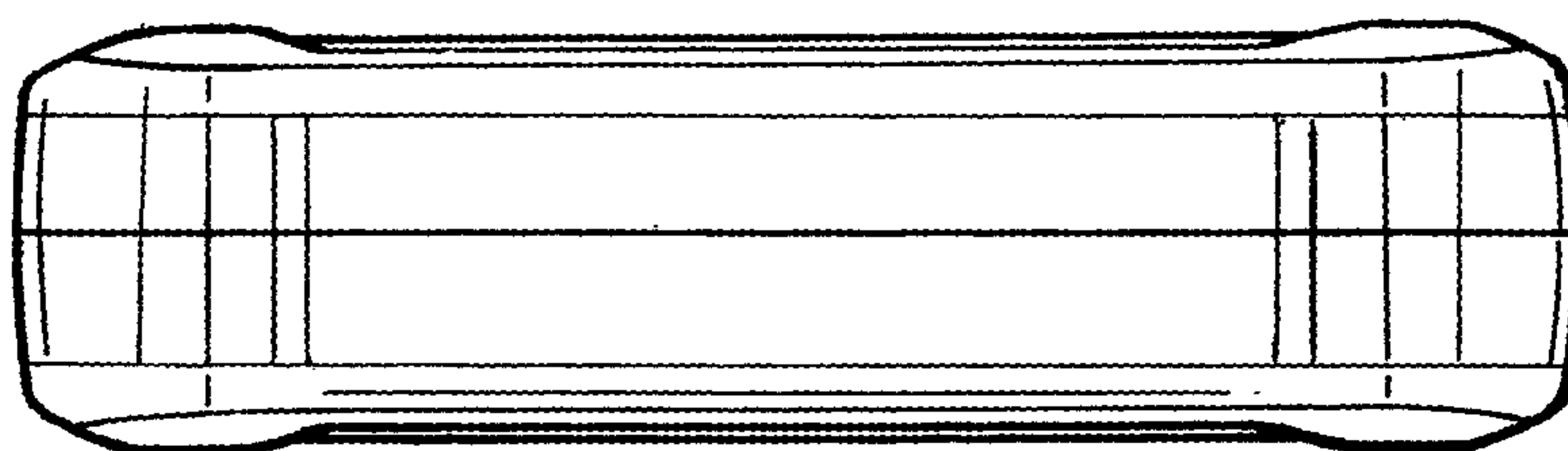


FIG. 14

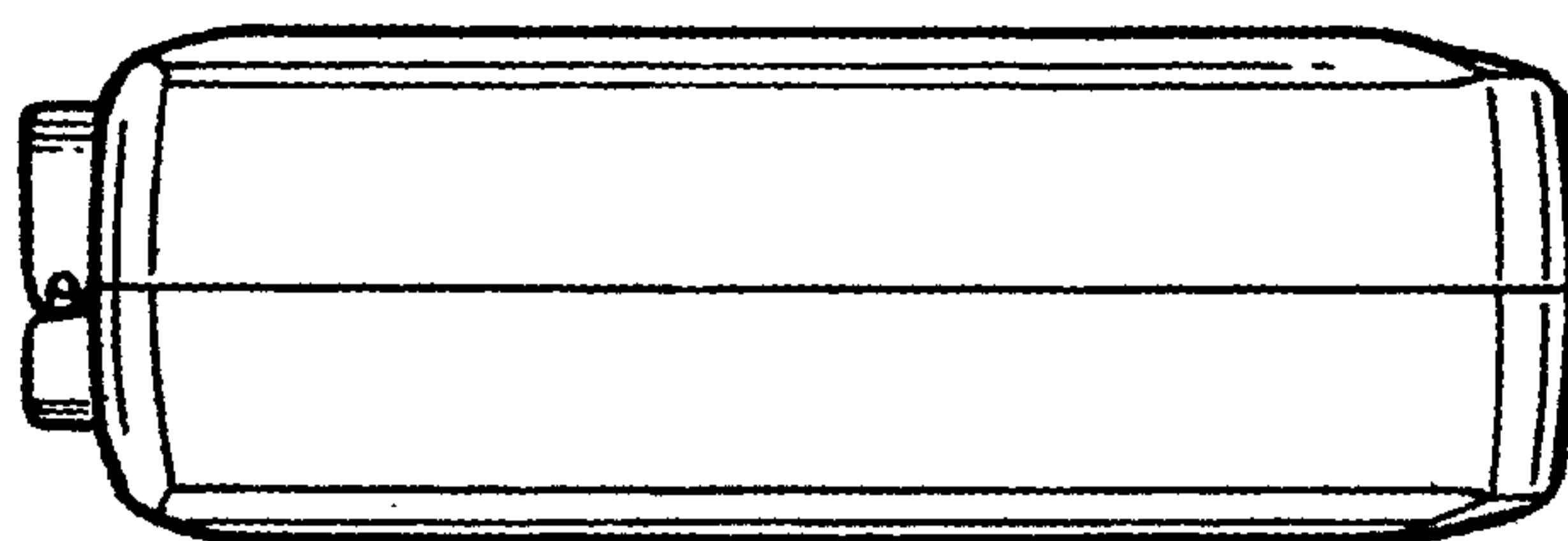


FIG. 15

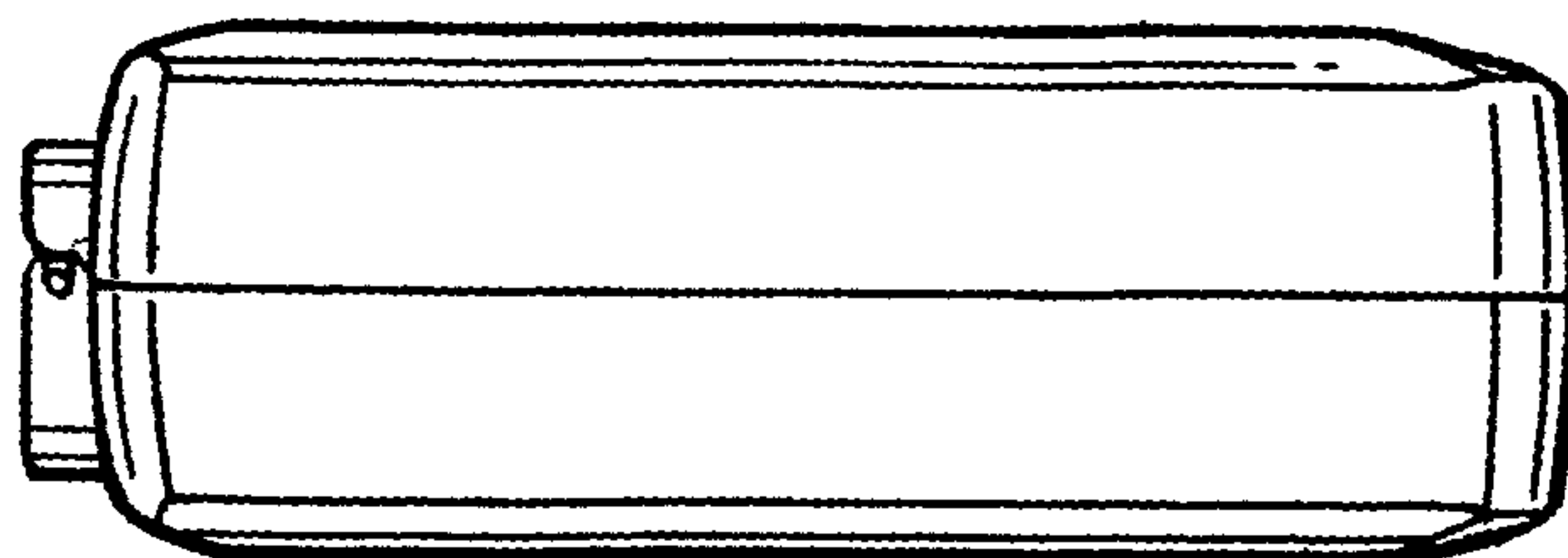


FIG. 16