



US00D749845S

(12) **United States Design Patent**  
**Tonelli**

(10) **Patent No.:** **US D749,845 S**

(45) **Date of Patent:** **\*\* Feb. 23, 2016**

(54) **BIT BOX**

(71) Applicant: **G.T. LINE—S.R.L.**, Valsamoggia,  
frazione Crespel (IT)

(72) Inventor: **Massimo Tonelli**, Casalecchio di Reno  
(IT)

(73) Assignee: **G.T. LINE-S.R.L.** (IT)

(\*\*) Term: **14 Years**

(21) Appl. No.: **29/501,306**

(22) Filed: **Sep. 3, 2014**

(30) **Foreign Application Priority Data**

Mar. 3, 2014 (EM) ..... 002416420

(51) **LOC (10) Cl.** ..... **03-01**

(52) **U.S. Cl.**  
USPC ..... **D3/276; D3/284; D3/294; D3/905**

(58) **Field of Classification Search**  
USPC ..... D3/905, 276, 279–284, 291, 294, 295,  
D3/298, 901, 302, 272, 273, 274, 903;  
206/372–379, 503, 207, 419, 505, 507,  
206/511, 518, 559, 509; 220/523–528  
CPC . B25H 3/02–3/028; B25H 3/00; B25H 3/003;  
B25H 3/006

See application file for complete search history.

(56) **References Cited**

**U.S. PATENT DOCUMENTS**

3,698,404 A \* 10/1972 Greco ..... 132/315  
4,758,195 A \* 7/1988 Walsh ..... 446/85  
D325,127 S \* 4/1992 Diaz ..... D3/284  
5,295,742 A \* 3/1994 Knutson ..... 312/244  
D394,749 S \* 6/1998 Ford et al. .... D3/295

D402,106 S \* 12/1998 Buckingham et al. .... D3/284  
D408,144 S \* 4/1999 Lux ..... D3/292  
D425,302 S \* 5/2000 Fountain, Sr. .... D3/295  
D432,303 S \* 10/2000 Wheat ..... D3/276  
D440,044 S \* 4/2001 Williams ..... D3/284  
D448,154 S \* 9/2001 Mann ..... D3/203.1  
D462,171 S \* 9/2002 Elabour ..... D3/284  
D513,672 S \* 1/2006 Meyer et al. .... D6/440  
D520,746 S \* 5/2006 Meyer et al. .... D3/284

(Continued)

*Primary Examiner* — Jennifer Rivard

*Assistant Examiner* — April Rivas

(74) *Attorney, Agent, or Firm* — Cantor Colburn LLP

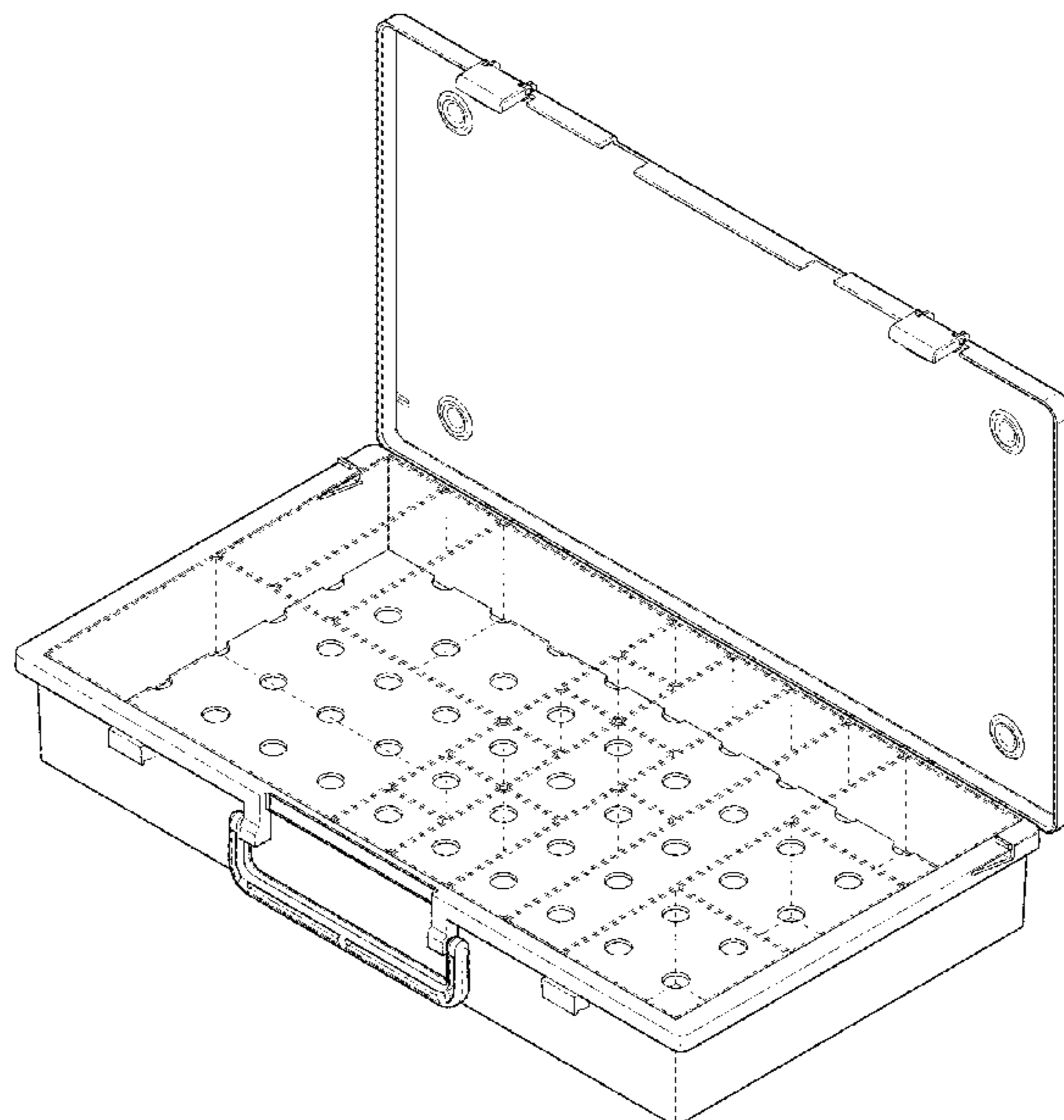
(57) **CLAIM**

The ornamental design for a bit box, as shown and described.

**DESCRIPTION**

FIG. 1 is a perspective view of a bit box showing my new design in a first embodiment;  
FIG. 2 is a perspective view thereof in the open configuration;  
FIG. 3 is a front view thereof in the closed configuration;  
FIG. 4 is a rear view thereof;  
FIG. 5 is a right side view thereof, the opposite side being a mirror image thereof;  
FIG. 6 is a top view thereof;  
FIG. 7 is a bottom view thereof;  
FIG. 8 is a perspective view of a second embodiment thereof;  
FIG. 9 is a perspective view thereof in the open configuration;  
FIG. 10 is a front view thereof in the closed configuration;  
FIG. 11 is a rear view thereof;  
FIG. 12 is a right side view thereof, the opposite side being a mirror image thereof;  
FIG. 13 is a top view thereof; and,  
FIG. 14 is a bottom view thereof.  
The broken lines shown in the drawings illustrate portions of the bit box and form no part of the claimed design.

**1 Claim, 8 Drawing Sheets**



# US D749,845 S

Page 2

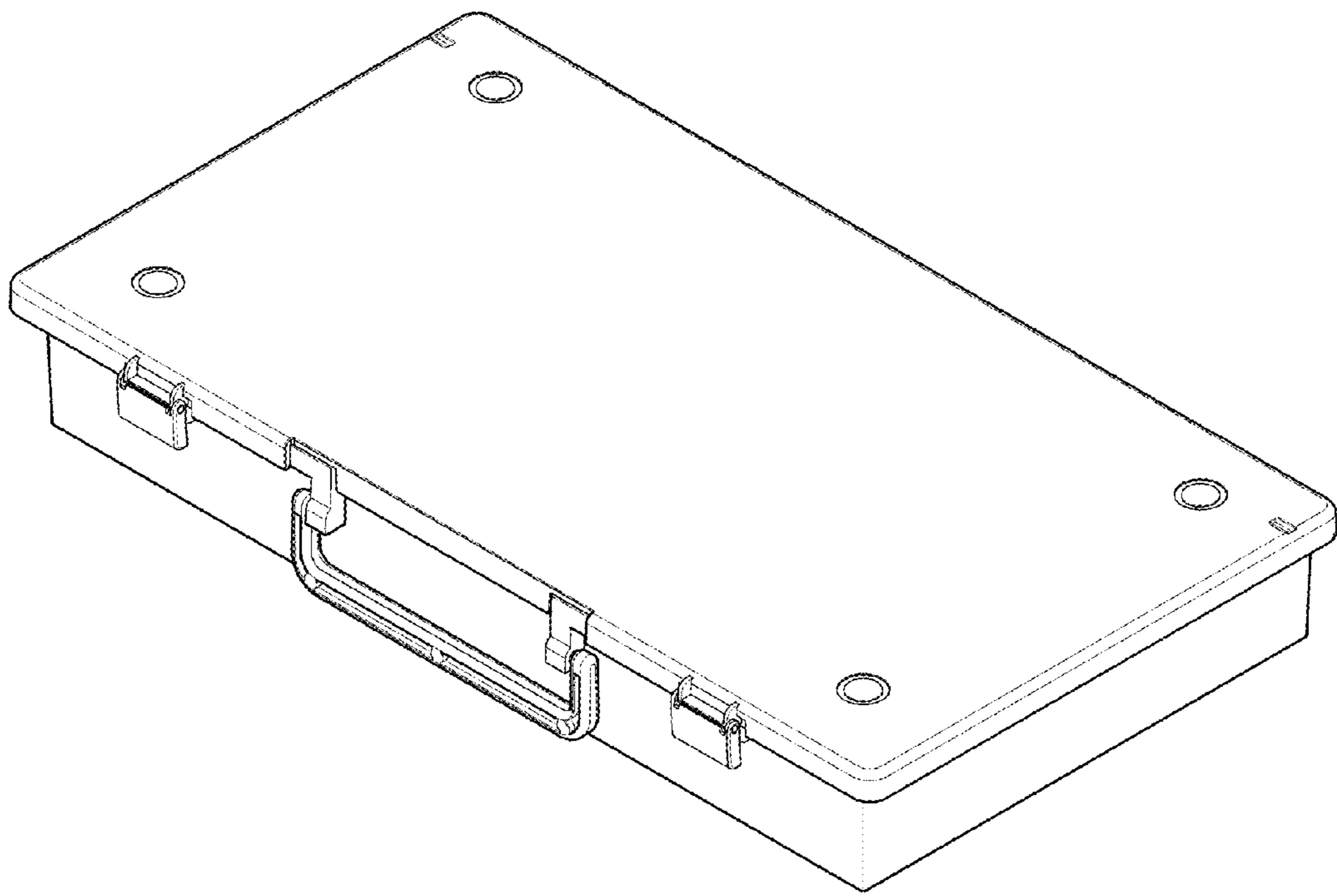
---

(56)

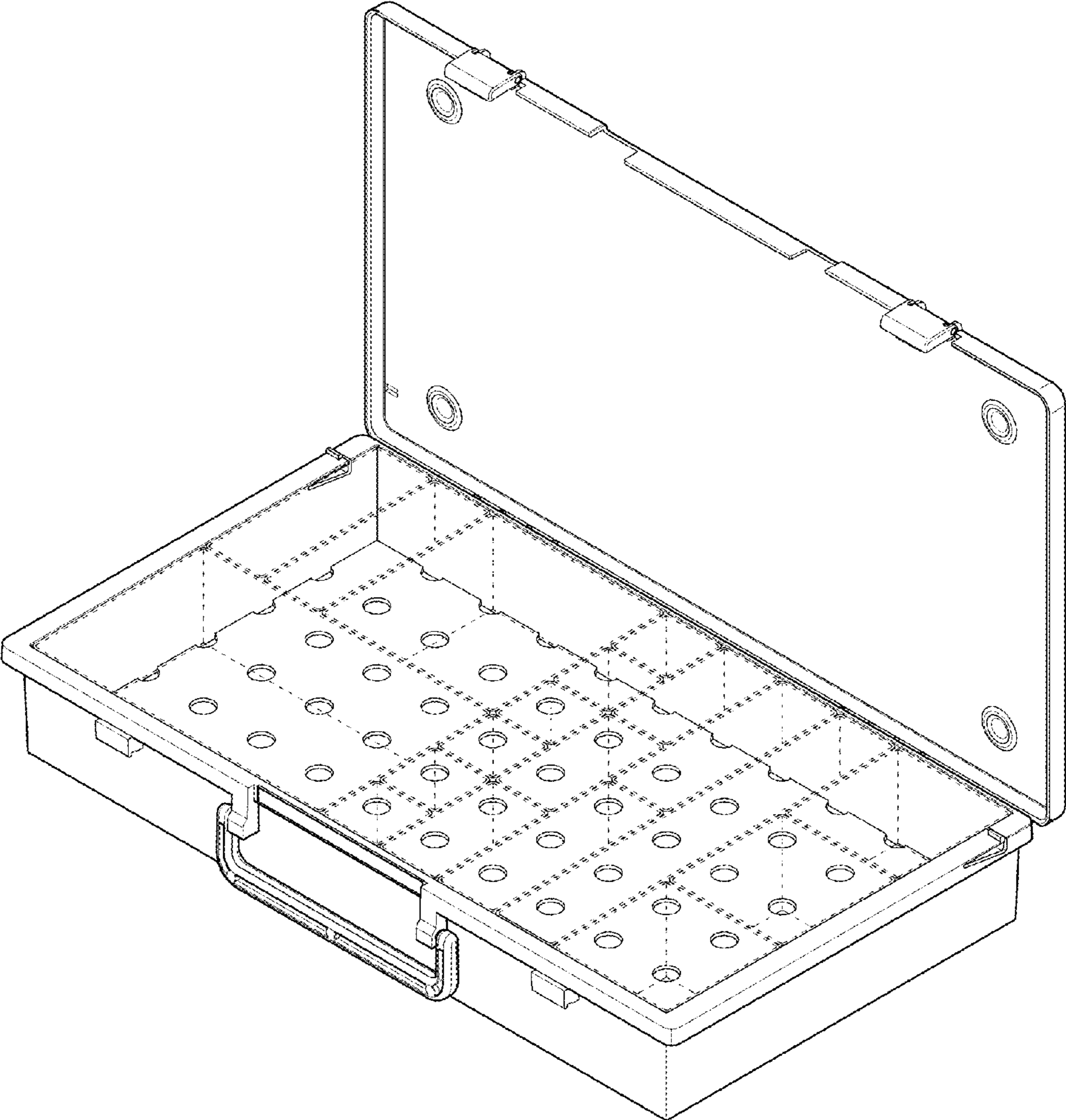
## References Cited

U.S. PATENT DOCUMENTS			
D535,102 S *	1/2007	Matsuda .....	D3/302
D580,717 S *	11/2008	Witt .....	D7/703
D593,325 S *	6/2009	Evans .....	D3/313
D611,696 S *	3/2010	Hay .....	D3/205
D664,767 S *	8/2012	Shewmaker .....	D3/294
2002/0023855 A1 *	2/2002	Cho .....	206/373

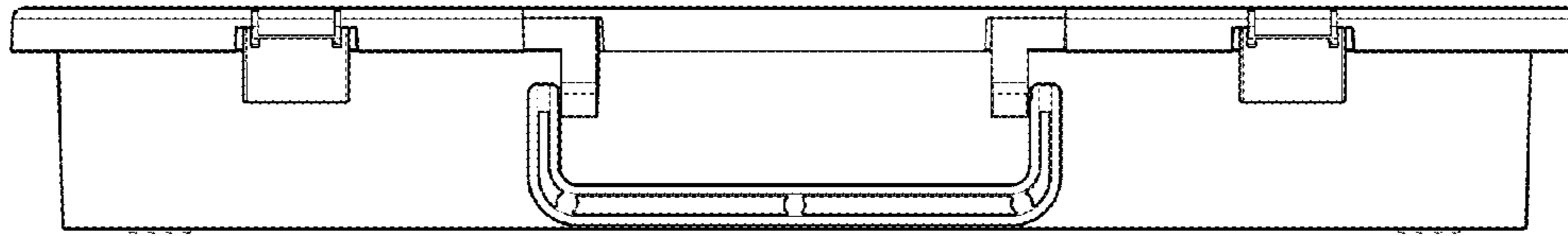
\* cited by examiner



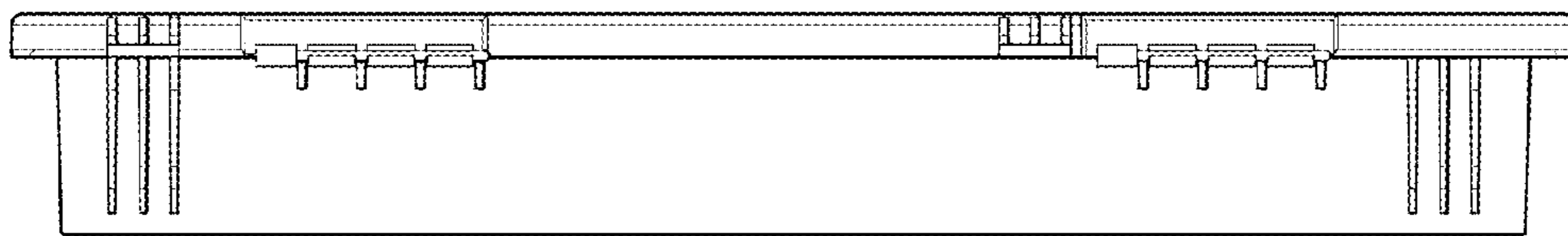
*Fig. 1*



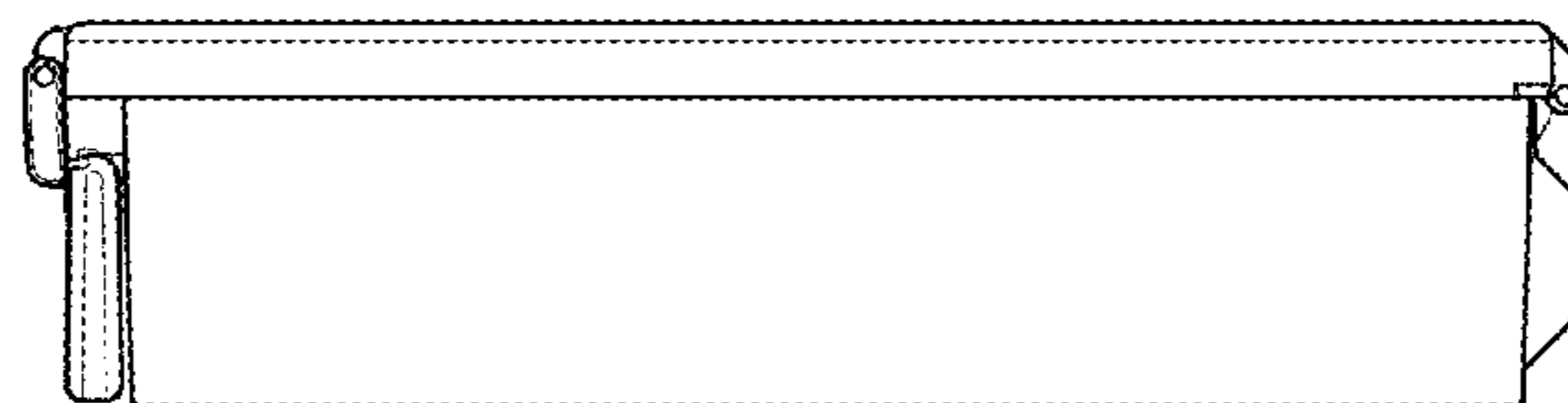
*Fig. 2*



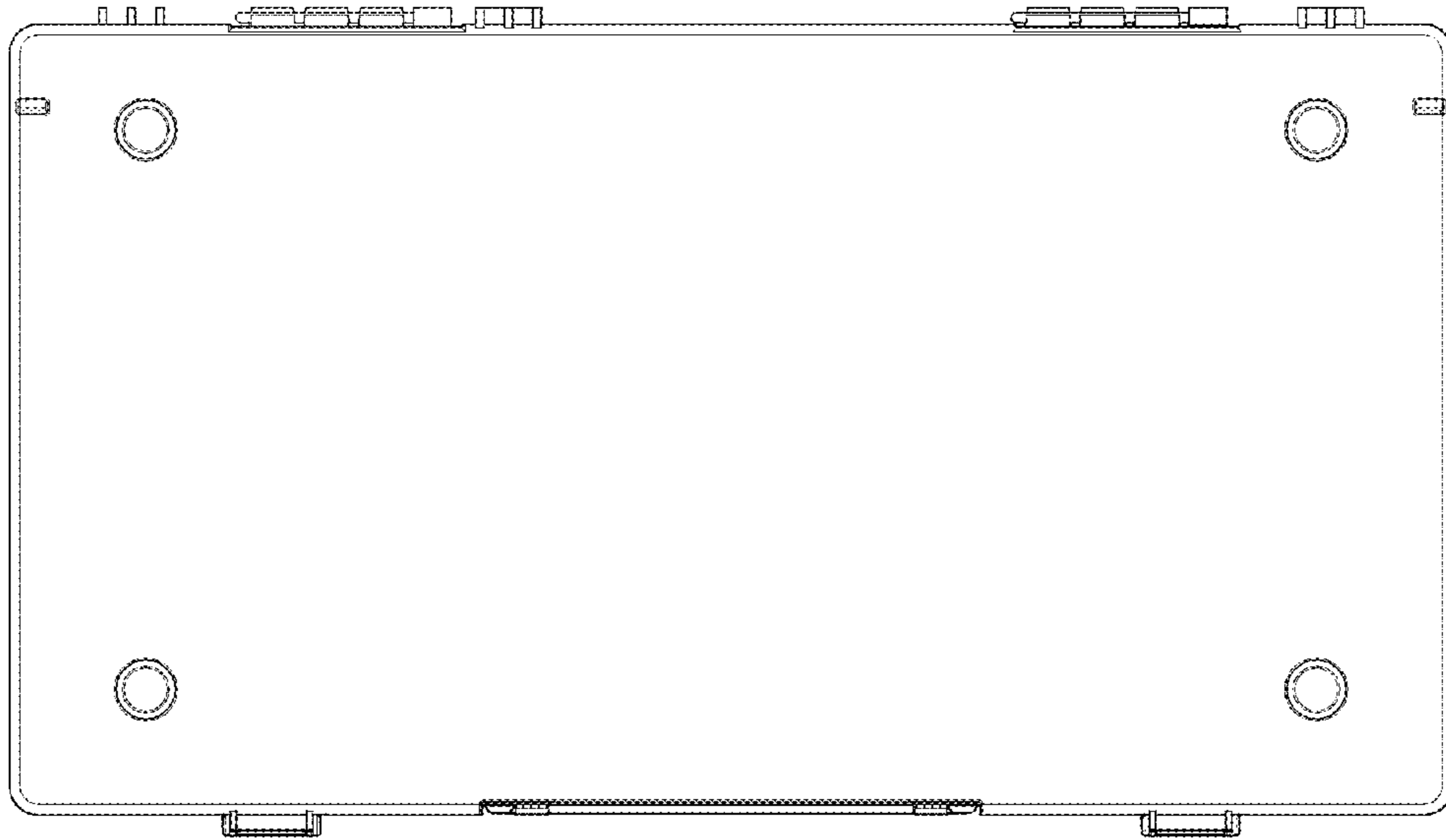
*Fig. 3*



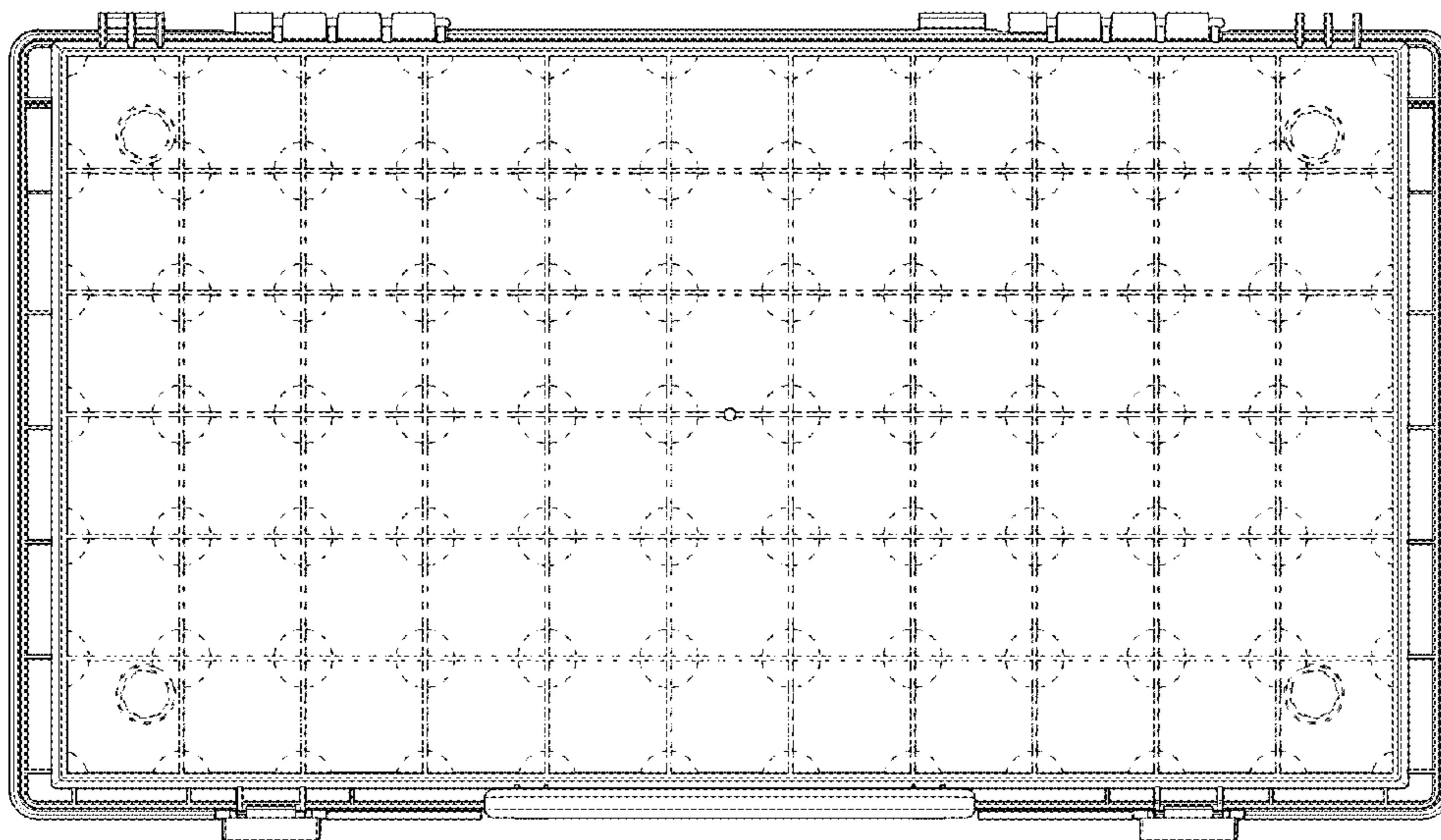
*Fig. 4*



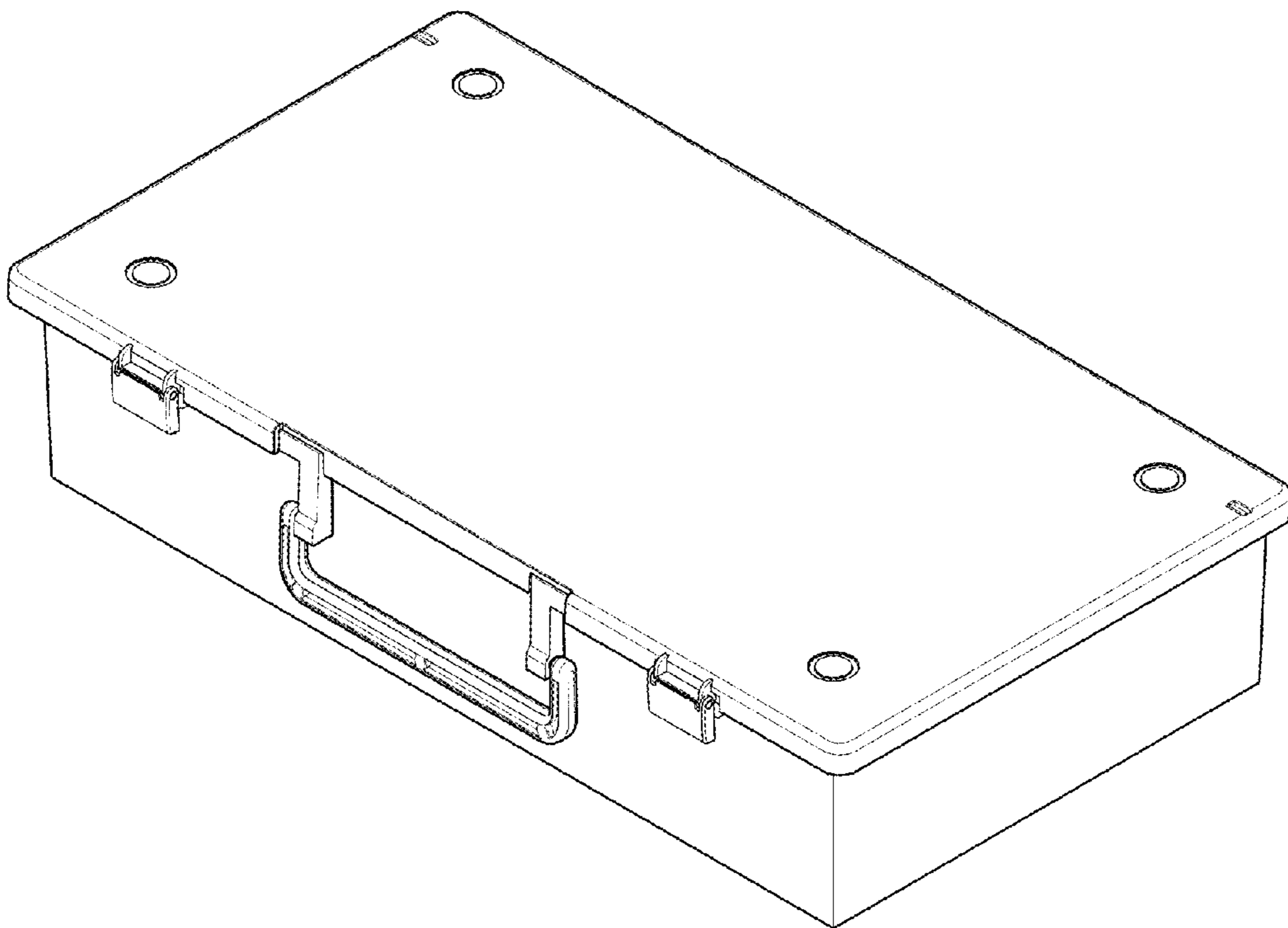
*Fig. 5*



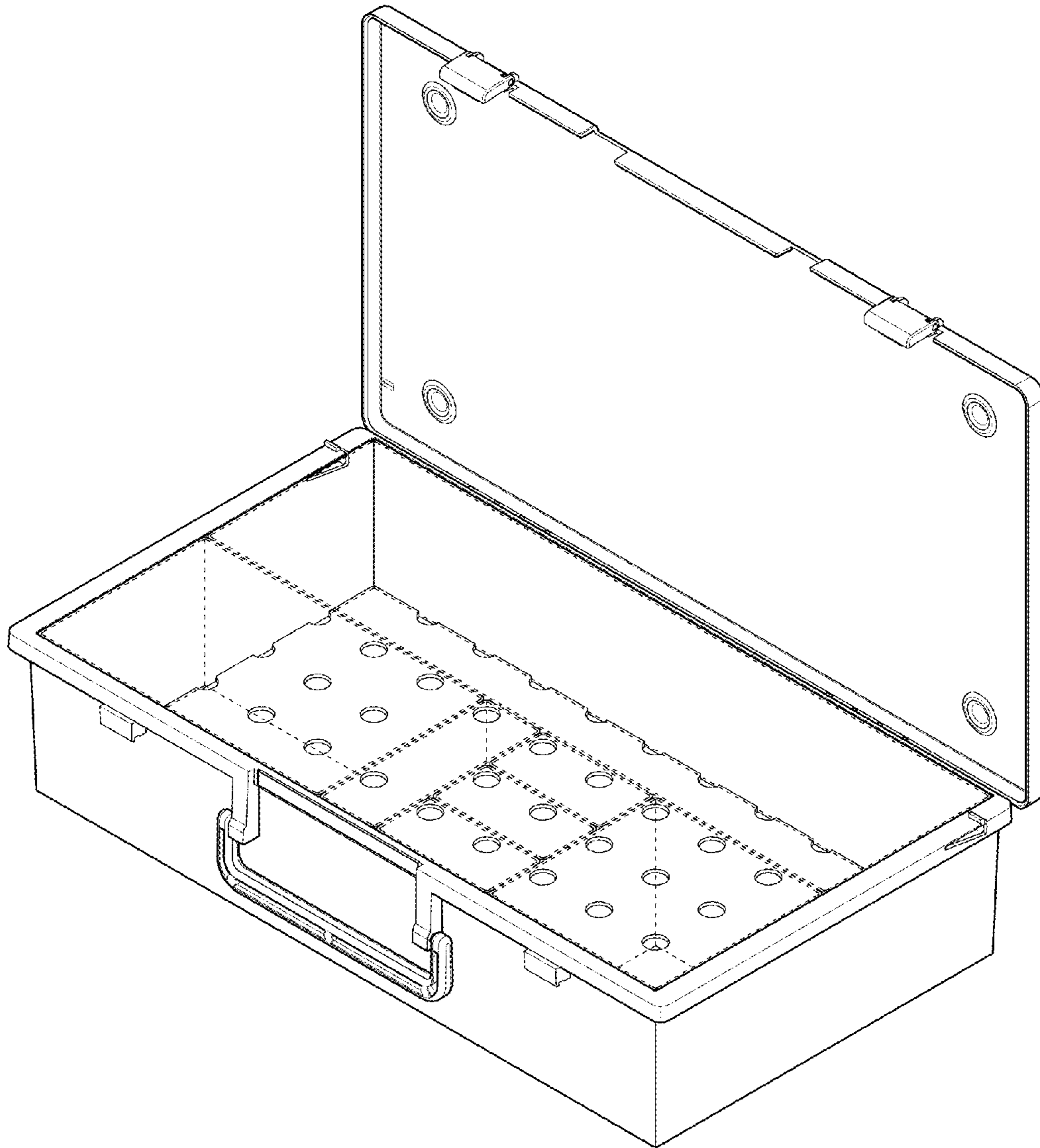
*Fig. 6*



*Fig. 7*

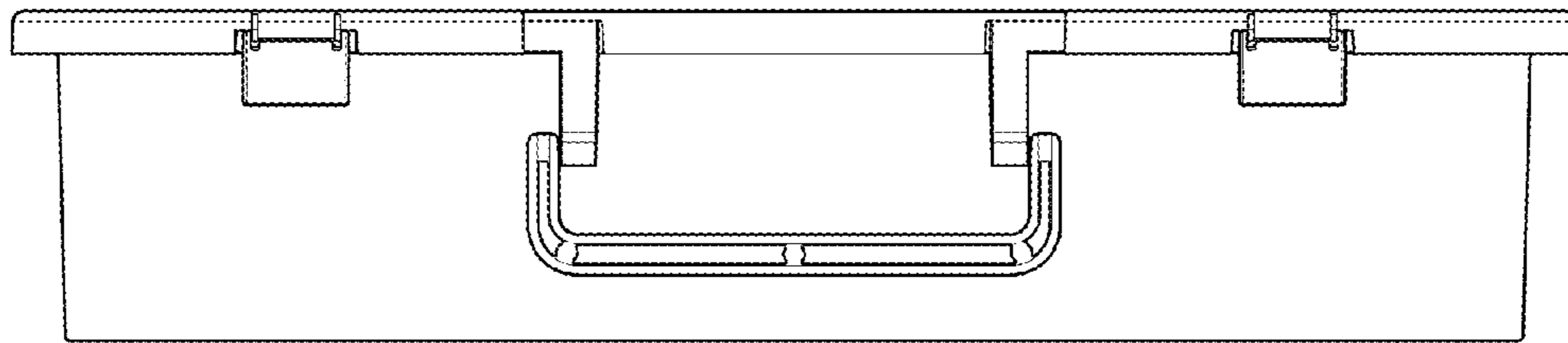


*Fig. 8*

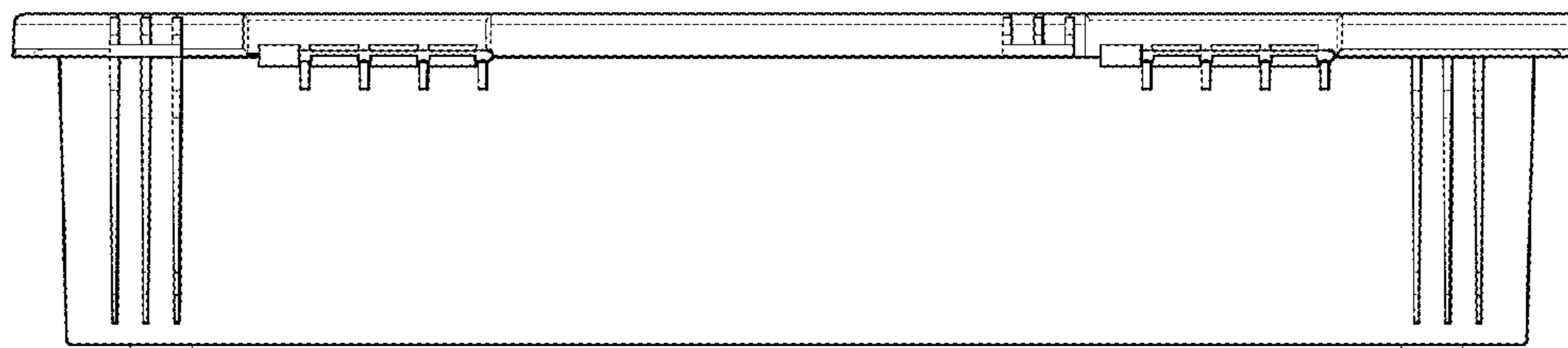


*Fig. 9*

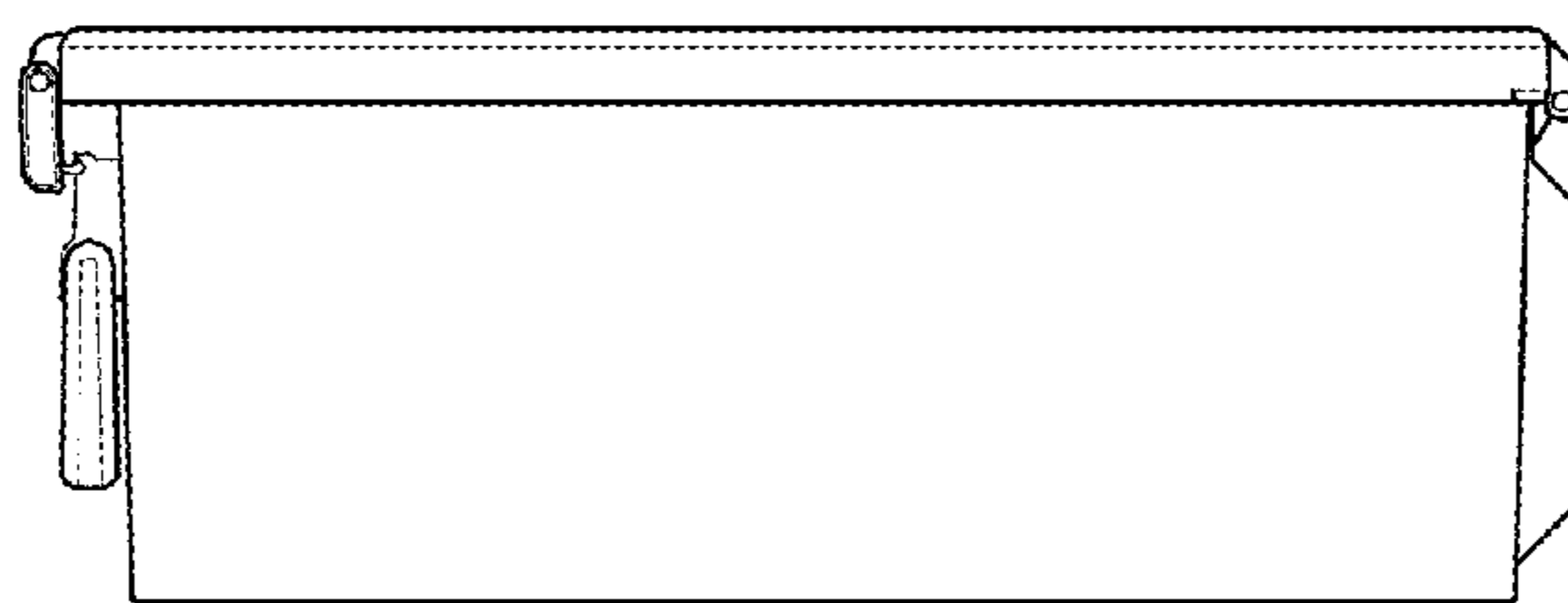




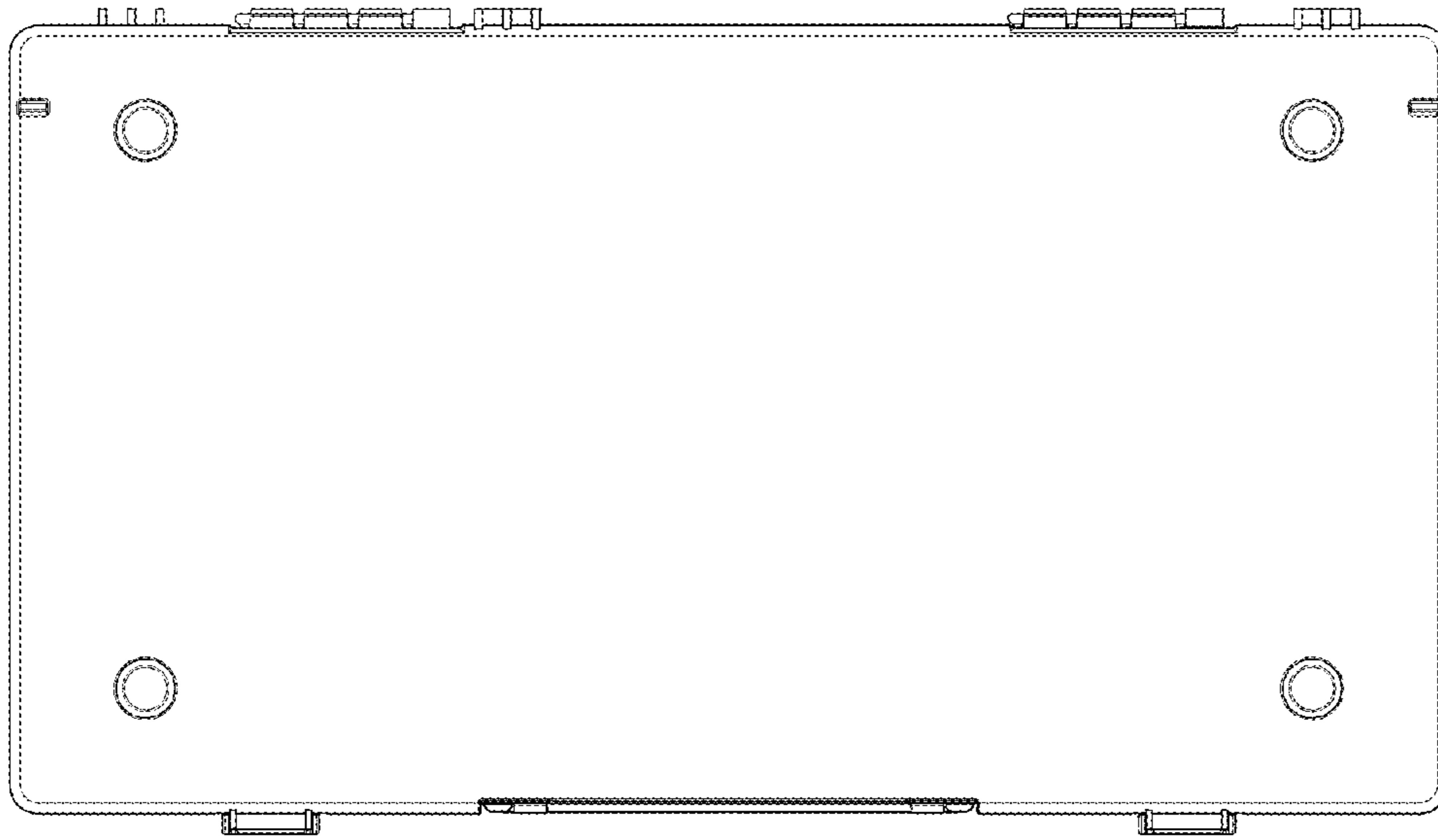
*Fig. 10*



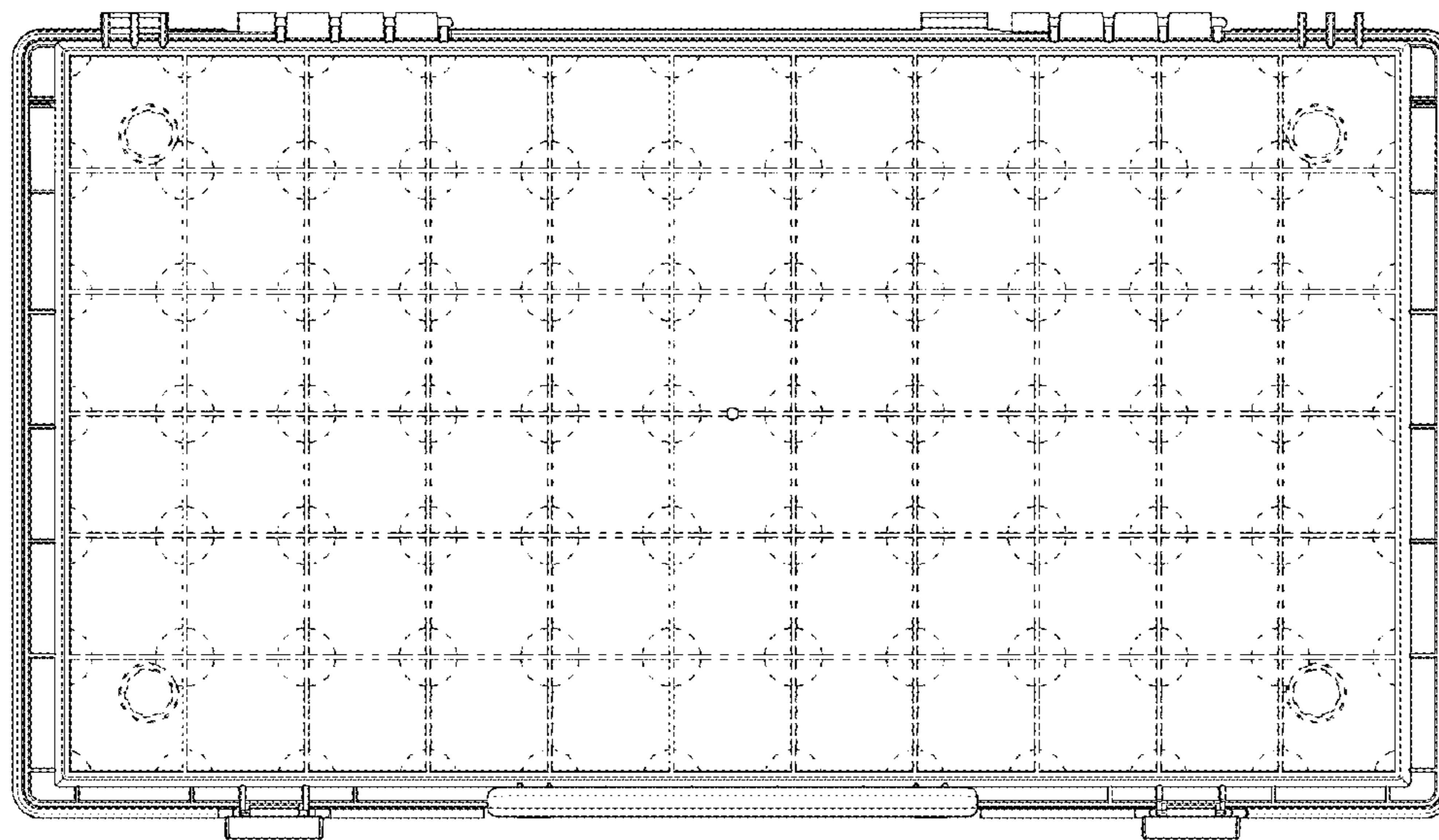
*Fig. 11*



*Fig. 12*



*Fig. 13*



*Fig. 14*