



US00D749839S

(12) **United States Design Patent**
Fairbrother

(10) **Patent No.:** **US D749,839 S**

(45) **Date of Patent:** **** Feb. 23, 2016**

(54) **MOBILE TELEPHONE CASE**

(71) Applicant: **Samantha Jane Fairbrother,**
Manchester (GB)

(72) Inventor: **Samantha Jane Fairbrother,**
Manchester (GB)

(73) Assignee: **Samantha Jane Fairbrother,**
Manchester (GB)

(**) Term: **14 Years**

(21) Appl. No.: **29/499,344**

(22) Filed: **Aug. 14, 2014**

(51) **LOC (10) Cl.** **03-01**

(52) **U.S. Cl.**
USPC **D3/218**

(58) **Field of Classification Search**
USPC D3/218–219, 215, 228; D14/250–251;
224/250, 673–674, 677, 681, 684;
24/10 R

See application file for complete search history.

(56) **References Cited**

U.S. PATENT DOCUMENTS

4,420,104 A * 12/1983 Dilenno A45F 5/021
224/250
D467,069 S * 12/2002 TenHoeve D3/218

D518,950 S * 4/2006 Condiff D3/218
D542,028 S * 5/2007 Yang D3/218
D683,954 S * 6/2013 Izen D3/218
D689,853 S * 9/2013 Smith D14/253
D691,991 S * 10/2013 Mohan D14/250
8,573,458 B1 * 11/2013 Hamilton A45F 5/021
224/250

* cited by examiner

Primary Examiner — Catheri Oliver-Garcia

(57) **CLAIM**

The ornamental design for a mobile telephone case, as shown and described.

DESCRIPTION

FIG. 1 is a front elevation view of my new design for a mobile telephone case;

FIG. 2 is rear elevation view thereof;

FIG. 3 is a bottom front perspective view thereof;

FIG. 4 is a bottom rear perspective view thereof;

FIG. 5 is a side perspective view thereof;

FIG. 6 is another side perspective view thereof;

FIG. 7 is a top and front perspective view thereof;

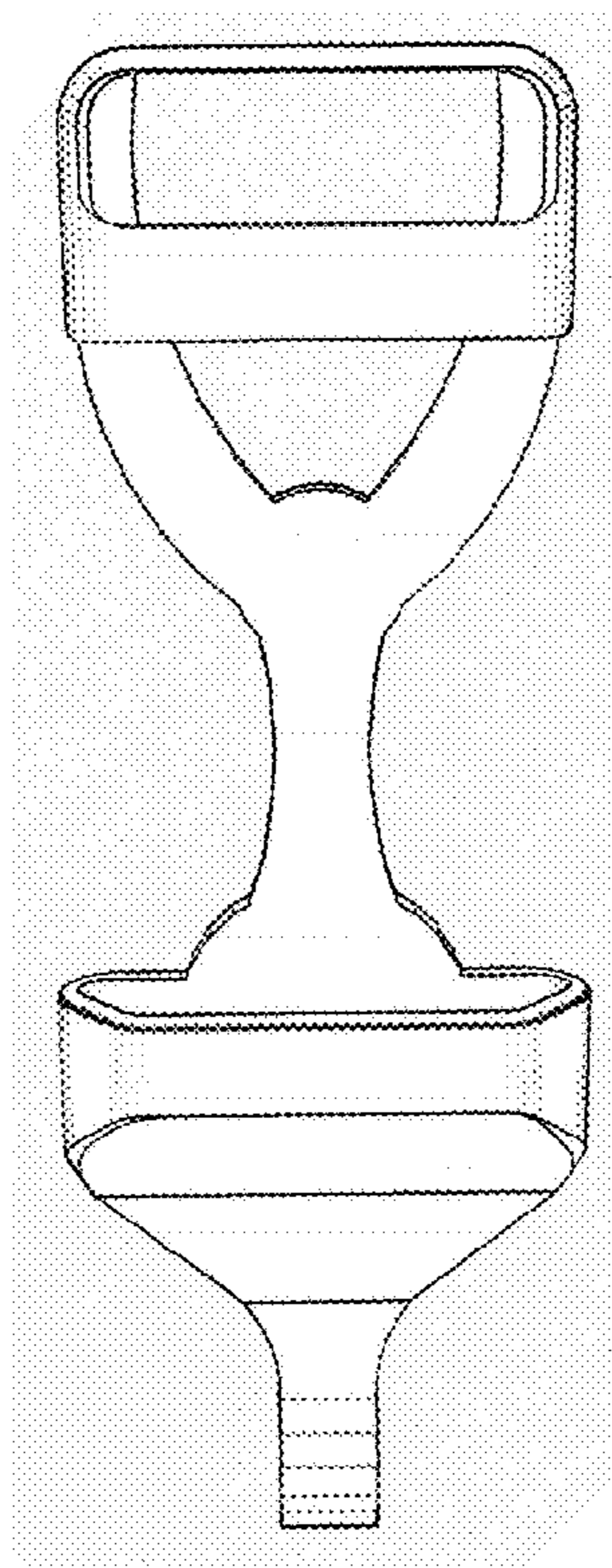
FIG. 8 is a top and rear perspective view thereof;

FIG. 9 is a front, bottom and side perspective view thereof;

and,

FIG. 10 is a front, top and side perspective view.

1 Claim, 4 Drawing Sheets



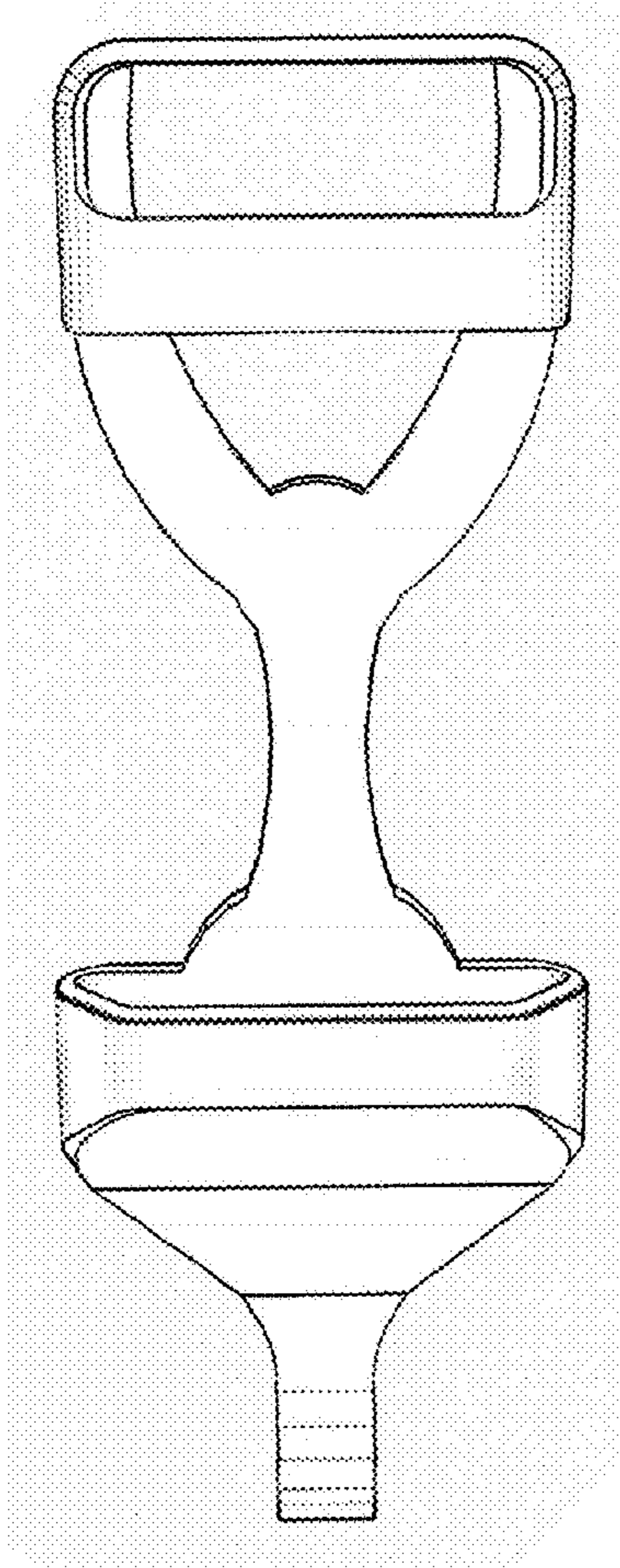


Fig. 1

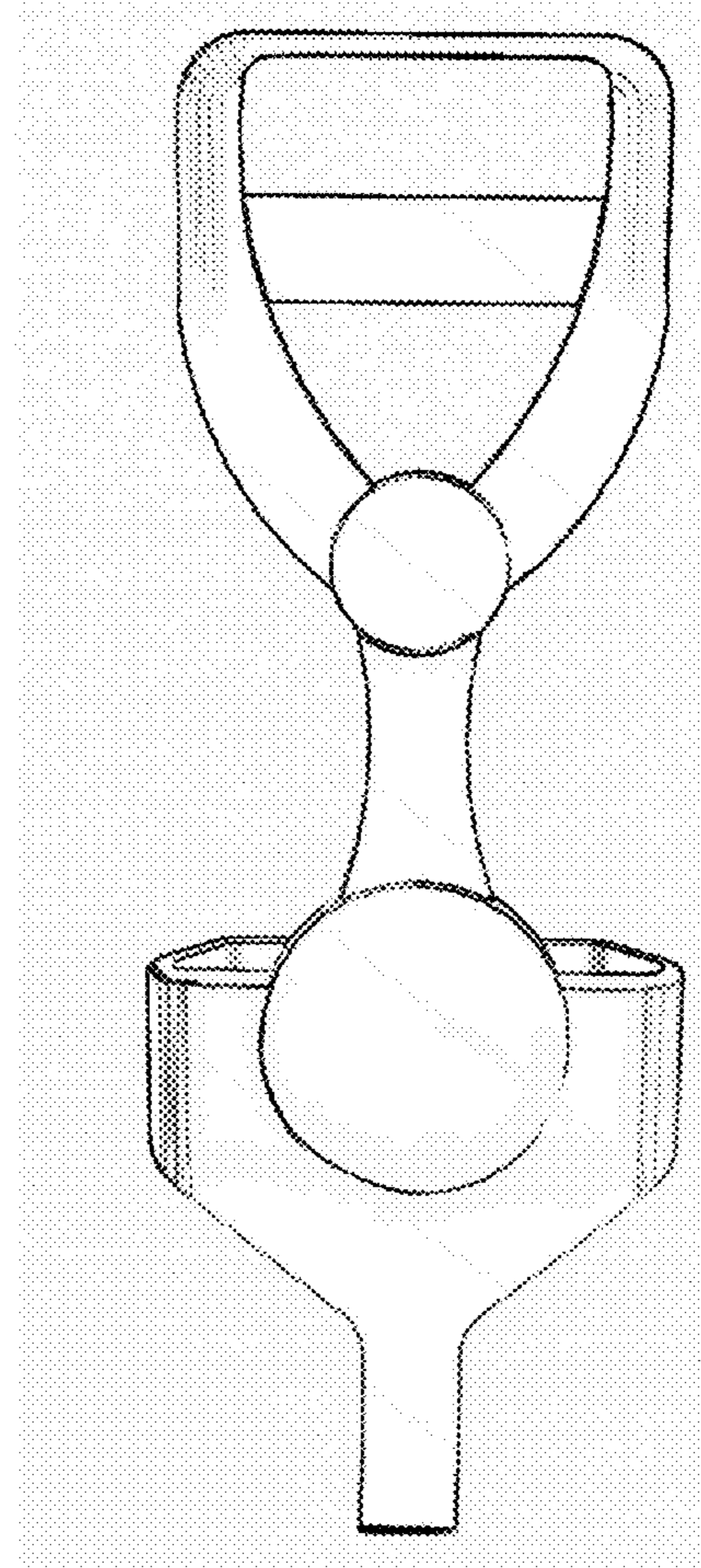


Fig. 2

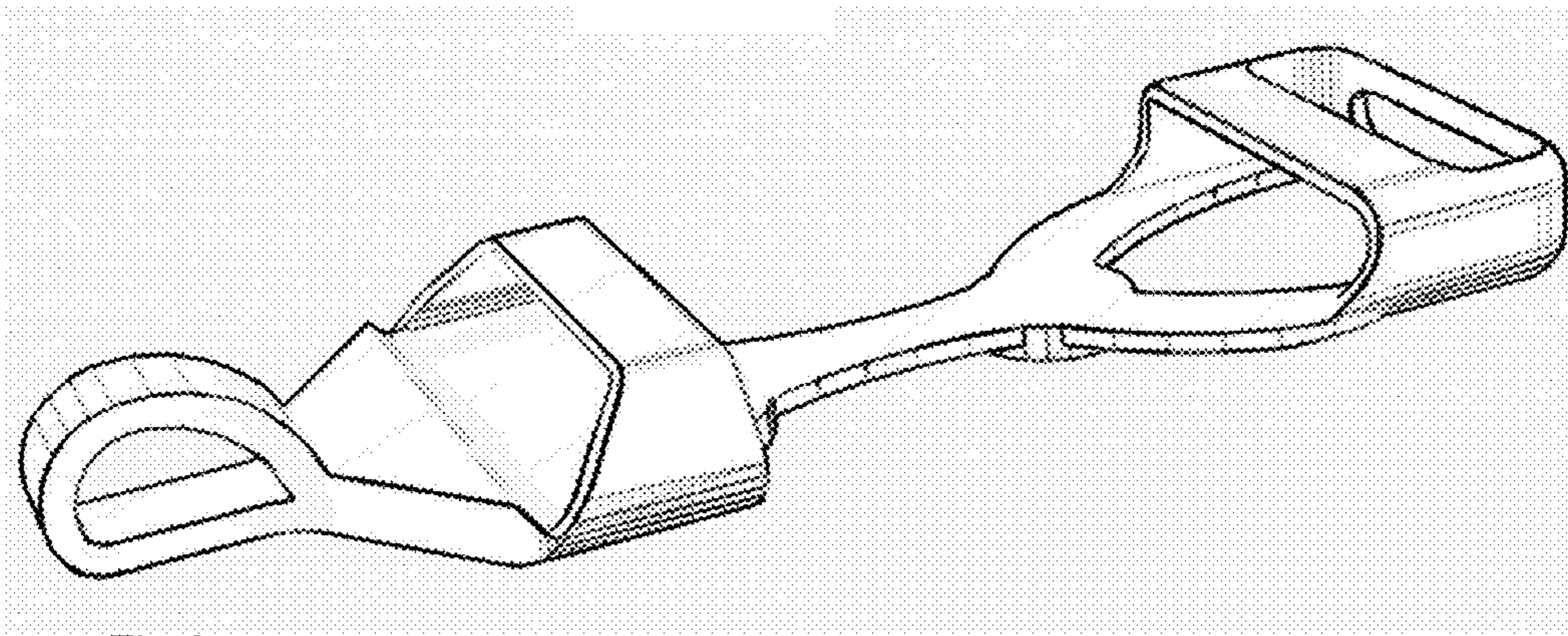


Fig. 3

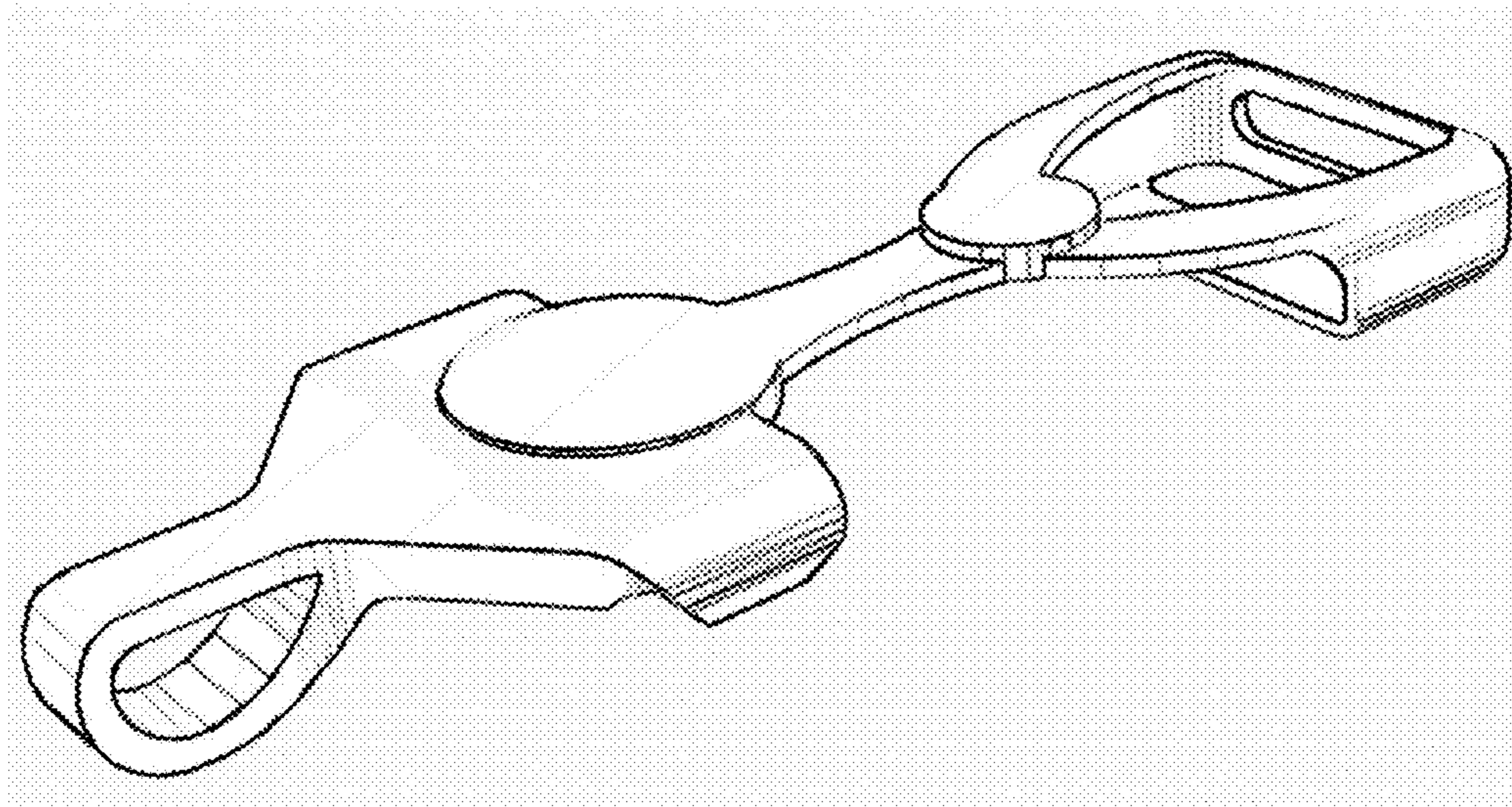


Fig. 4

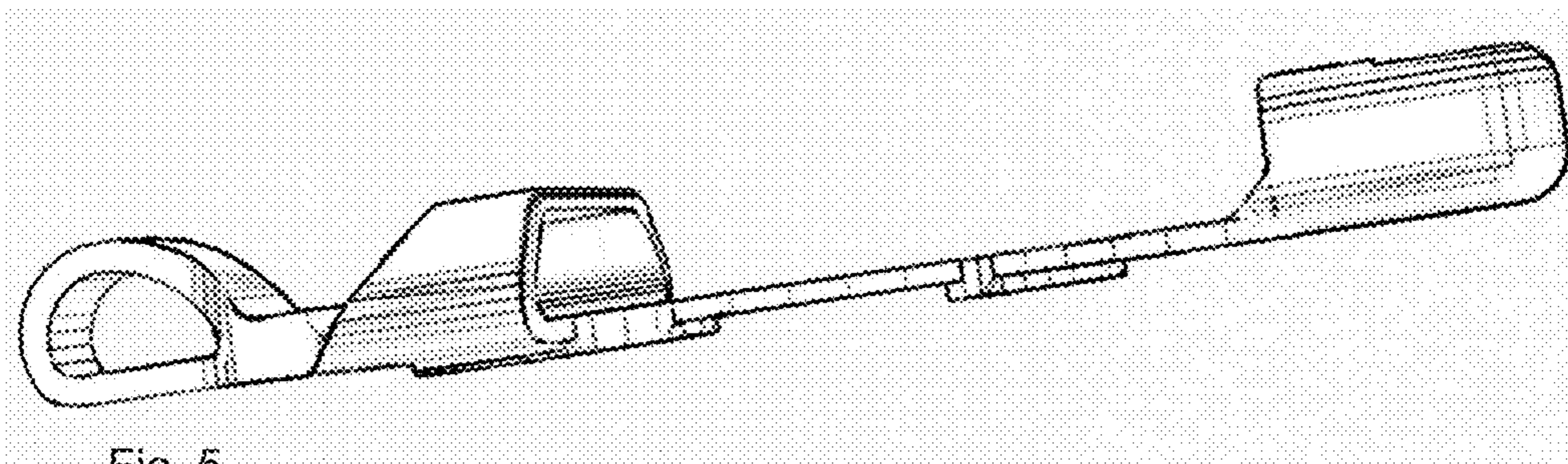


Fig. 5

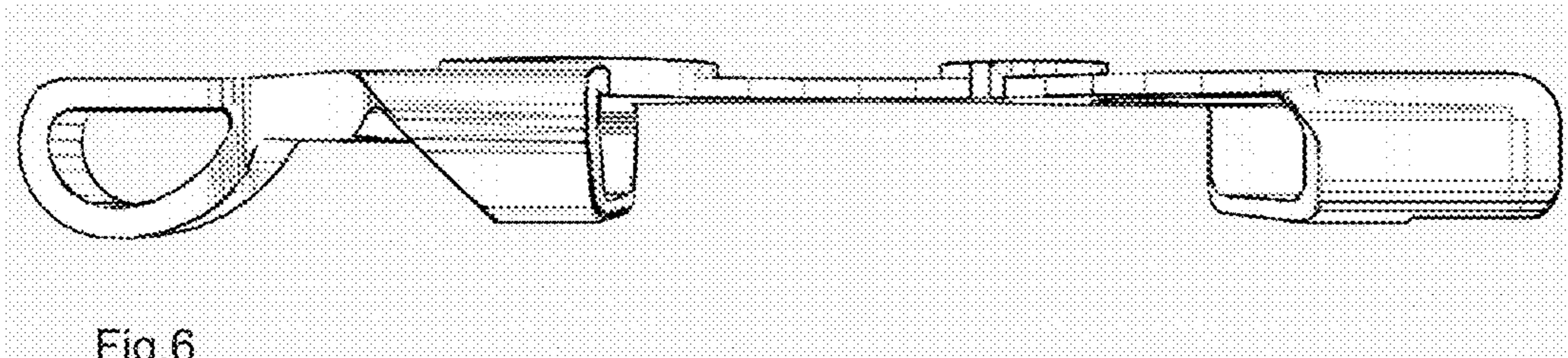


Fig. 6

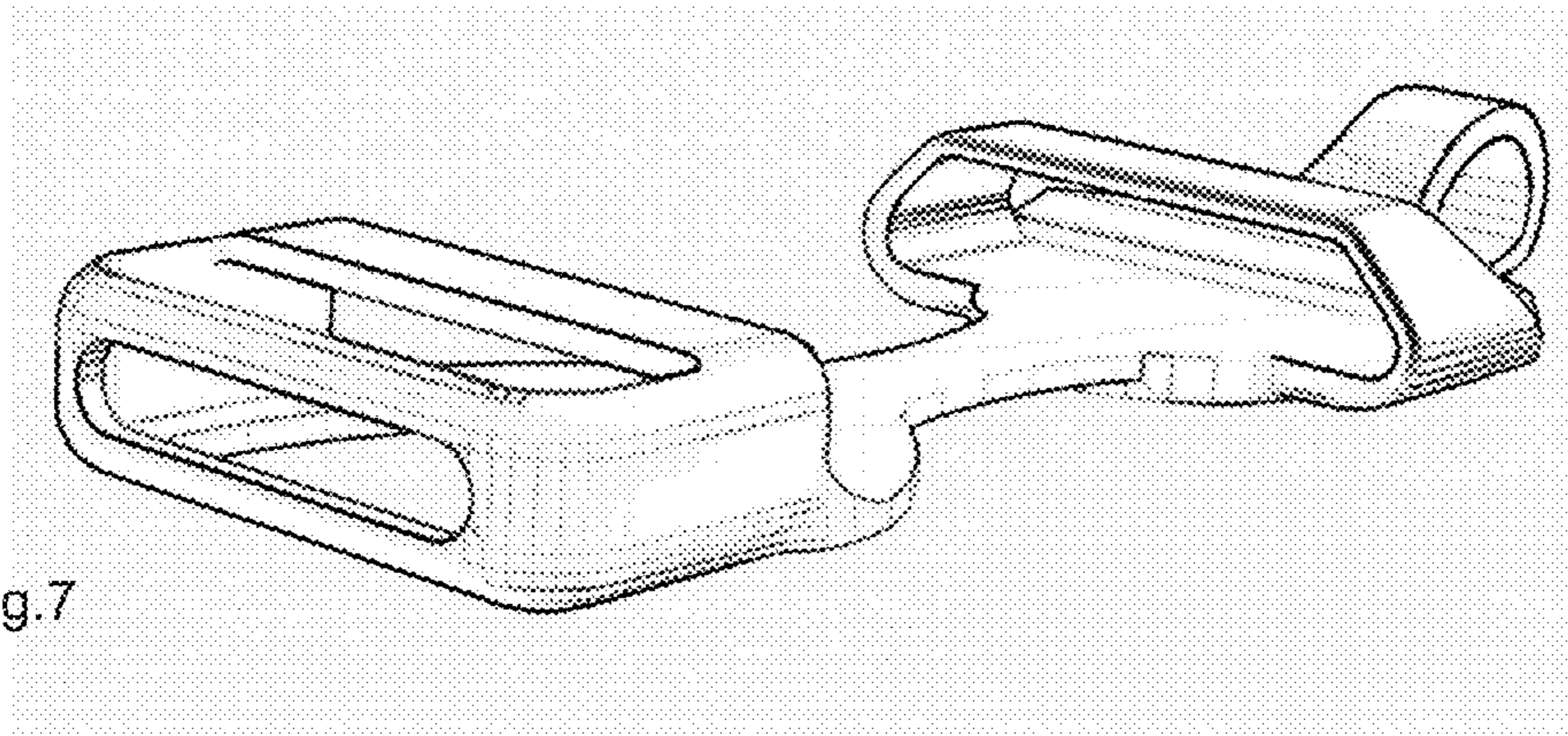


Fig. 7

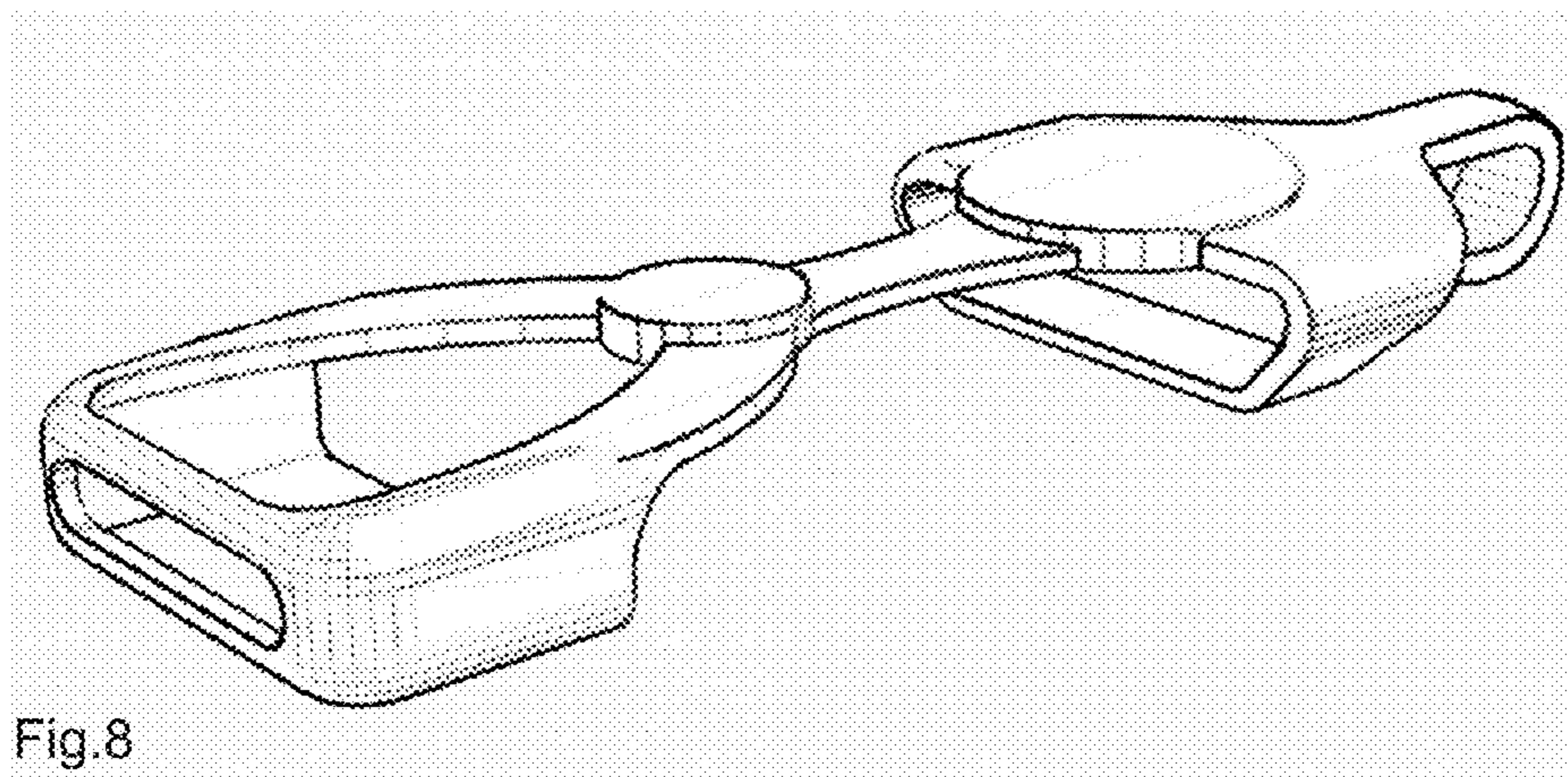


Fig. 8

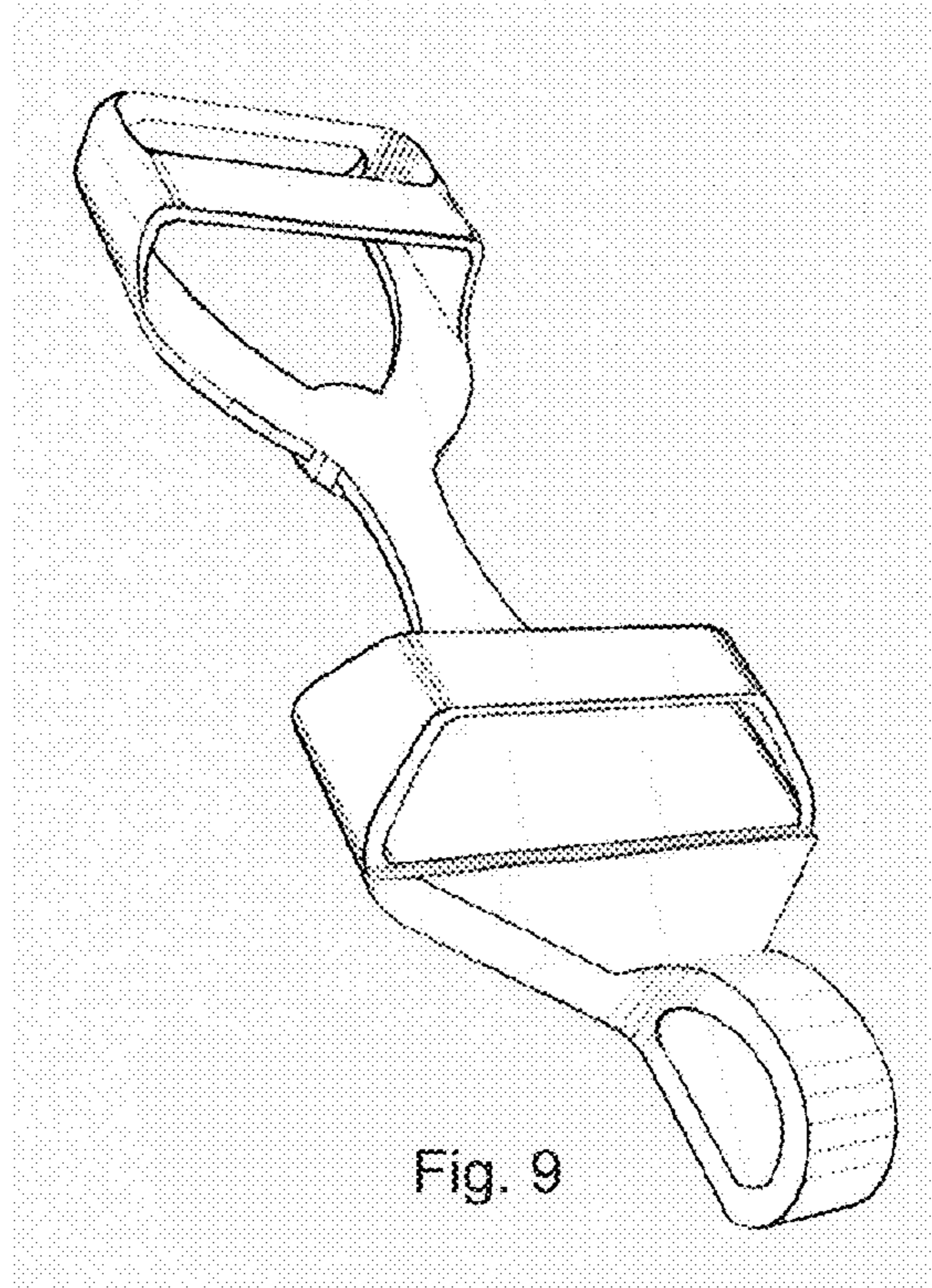


Fig. 9

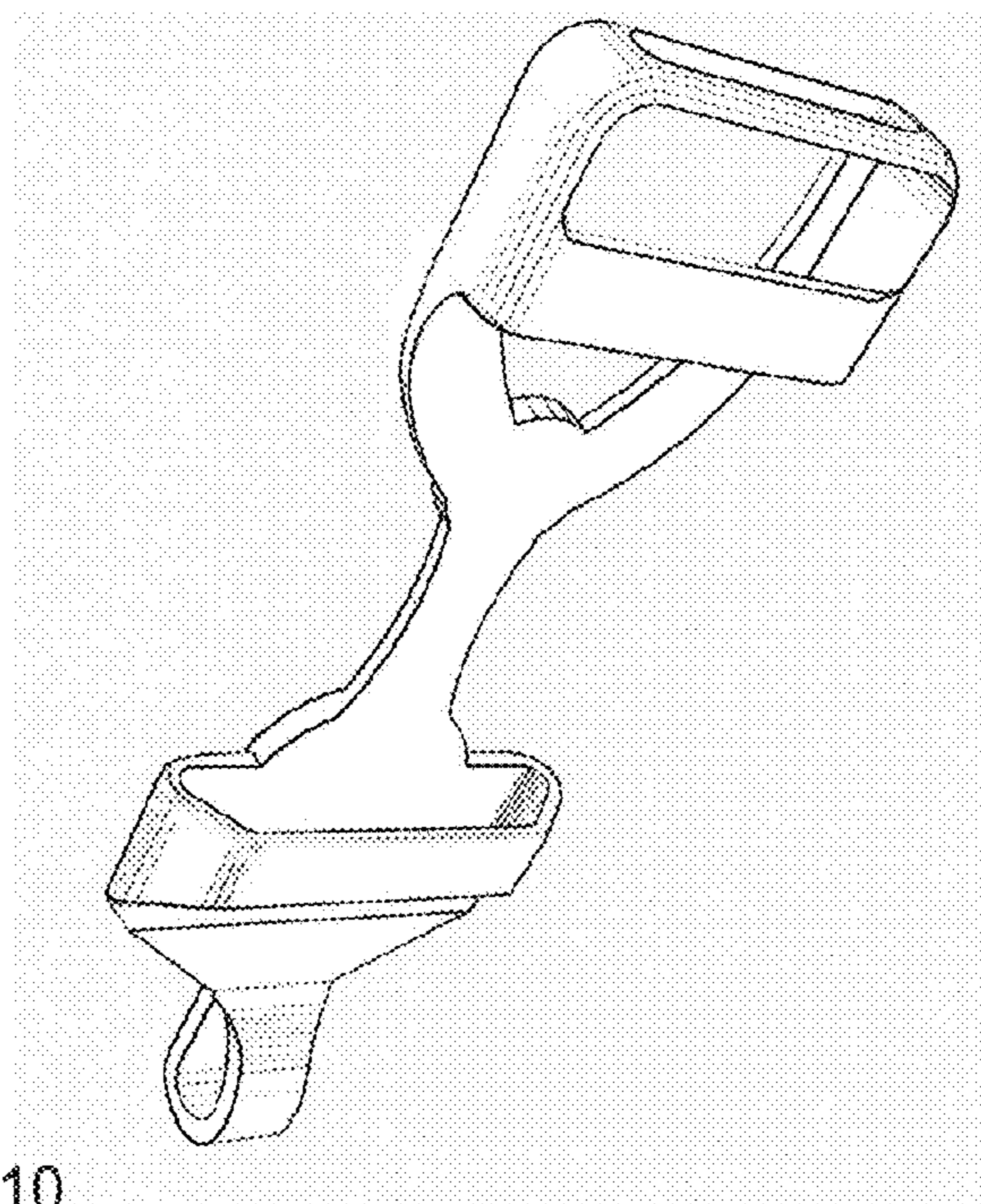


Fig. 10