



US00D749837S

(12) **United States Design Patent**  
**Du**

(10) **Patent No.:** **US D749,837 S**

(45) **Date of Patent:** **\*\* Feb. 23, 2016**

(54) **KEY HOLDER**

(71) Applicant: **Tiffany Du**, Garden Grove, CA (US)

(72) Inventor: **Tiffany Du**, Garden Grove, CA (US)

(\*\*) Term: **14 Years**

(21) Appl. No.: **29/522,824**

(22) Filed: **Apr. 2, 2015**

(51) **LOC (10) Cl.** ..... **03-01**

(52) **U.S. Cl.**  
USPC ..... **D3/207**

(58) **Field of Classification Search**  
USPC ..... D3/207-212; 70/456 B, 457, 458, 408,  
70/456 R; D13/168; D8/347; D10/104;  
D14/496; 206/37.1

CPC ..... H04B 1/034; F04B 15/00  
See application file for complete search history.

(56) **References Cited**

U.S. PATENT DOCUMENTS

- 2,462,206 A \* 2/1949 Magee ..... A45C 11/324  
206/37.8
- 2,531,325 A \* 11/1950 De Cesaris ..... A44B 15/00  
24/599.7
- 2,611,260 A \* 9/1952 Pontin ..... A45C 11/324  
70/456 R
- 2,720,777 A \* 10/1955 Kocsi ..... A44B 15/00  
428/13
- 3,765,201 A \* 10/1973 Humphrey ..... A45C 11/324  
70/456 R
- 3,882,704 A \* 5/1975 Shanok ..... A44B 15/00  
70/456 R

- D252,356 S \* 7/1979 Garcia ..... D3/207
- 4,227,389 A \* 10/1980 Kartinian ..... A44B 15/00  
70/359
- 4,253,321 A \* 3/1981 Sorensen ..... A45C 11/324  
70/456 R
- 4,601,185 A \* 7/1986 Sheldon ..... E05B 19/24  
70/456 R
- D677,048 S \* 3/2013 Du ..... D3/207

\* cited by examiner

*Primary Examiner* — Ralf Seifert

(74) *Attorney, Agent, or Firm* — Richard D. Clarke

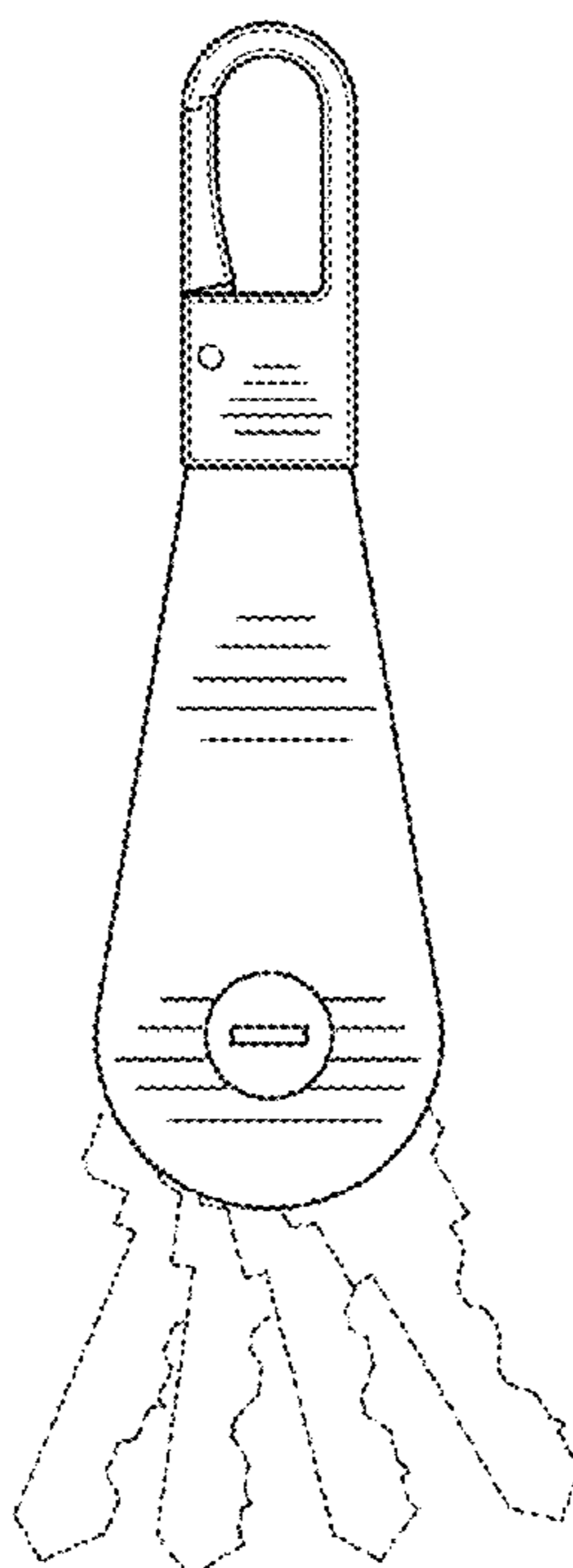
(57) **CLAIM**

I claim the ornamental design for a key holder, as shown and described.

**DESCRIPTION**

FIG. 1 is a left side elevation view of the key holder shown having four keys therein;  
 FIG. 2 is a front view of the key holder, shown having four keys therein;  
 FIG. 3 is a top plan view of the key holder;  
 FIG. 4 is a right side elevation view of the key holder, shown having four keys therein;  
 FIG. 5 is a rear view of the key holder, shown having four keys therein; and,  
 FIG. 6 is a bottom plan view of the key holder.  
 The broken lines in FIGS. 1, 2, 4 and 5 of the drawings show unclaimed environment only and form no part of the claimed design.

**1 Claim, 2 Drawing Sheets**



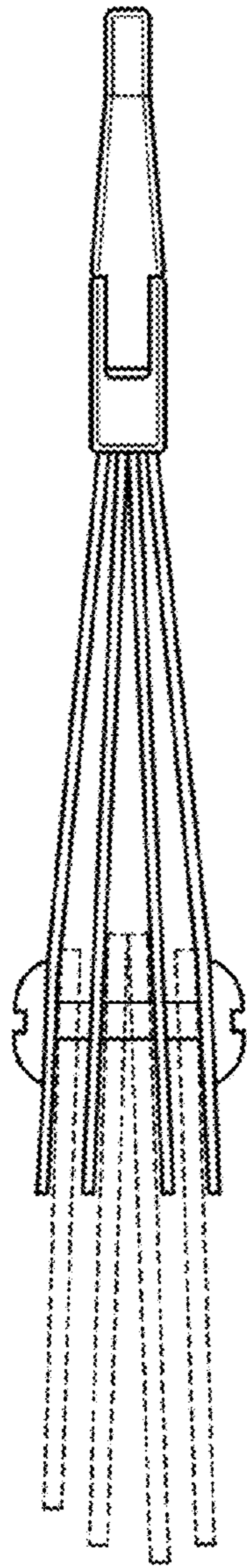


FIG. 1

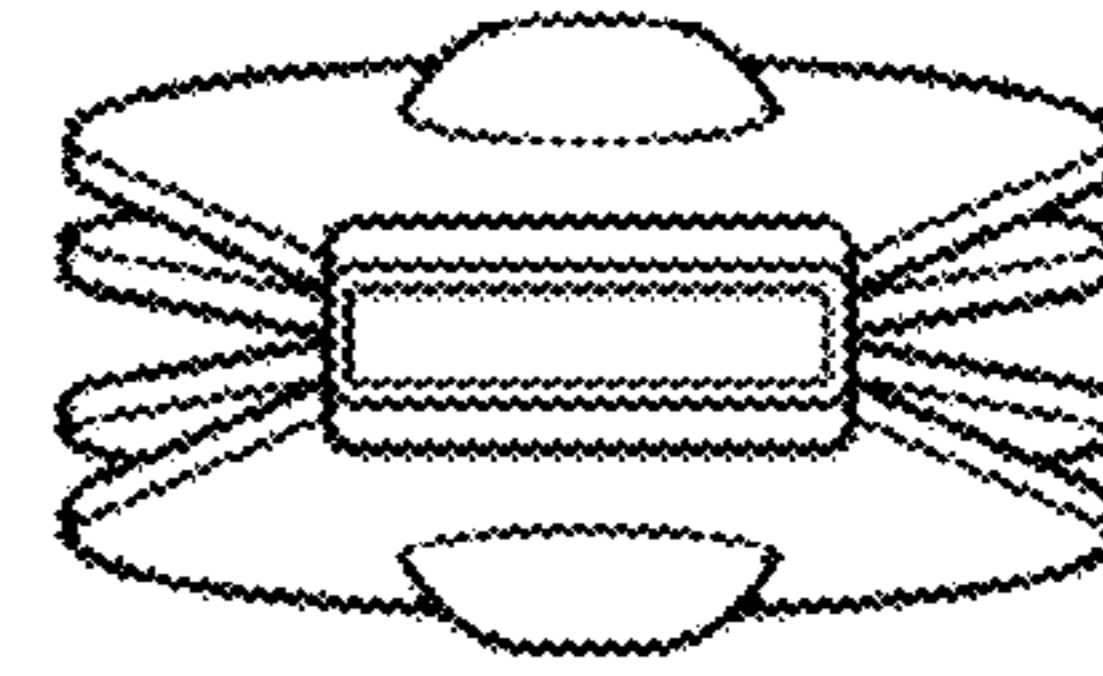


FIG. 3

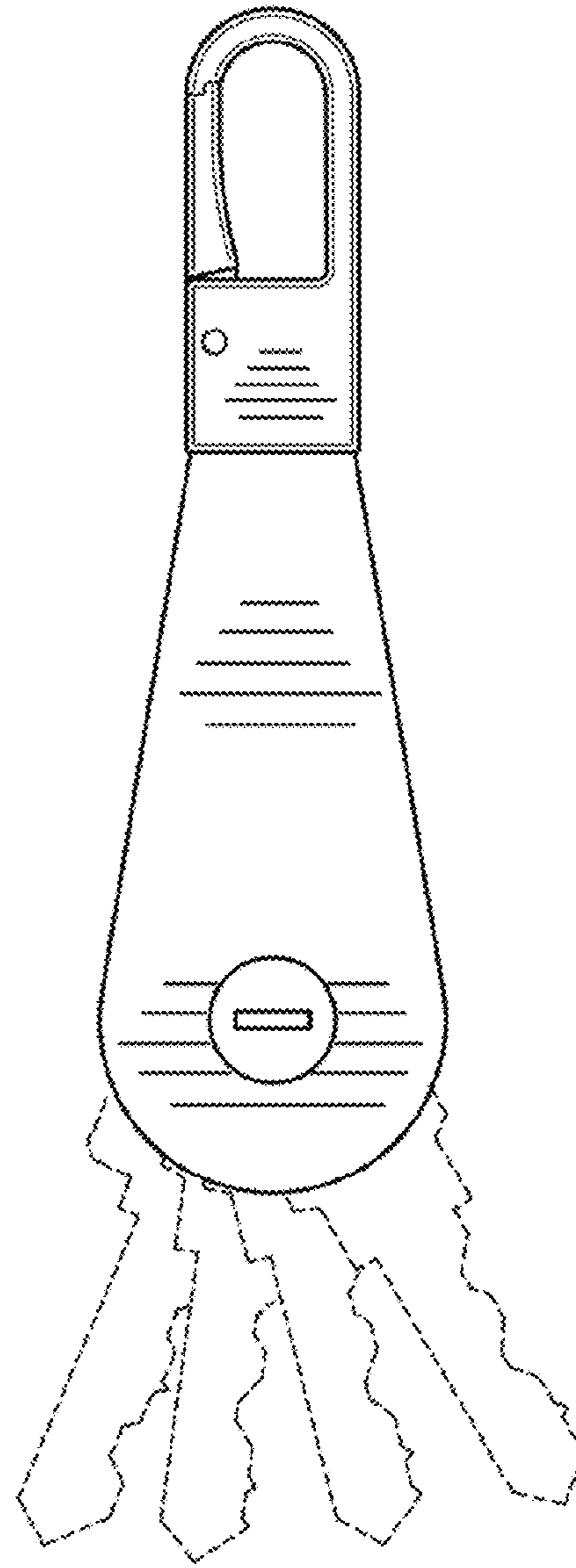


FIG. 2

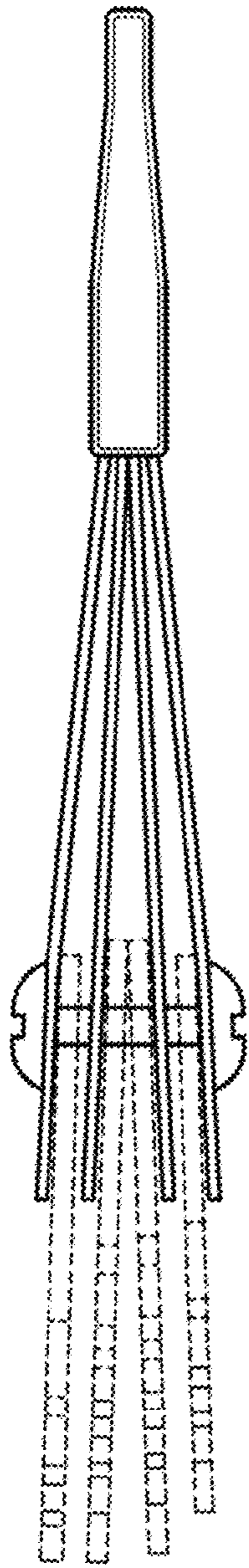


FIG. 4

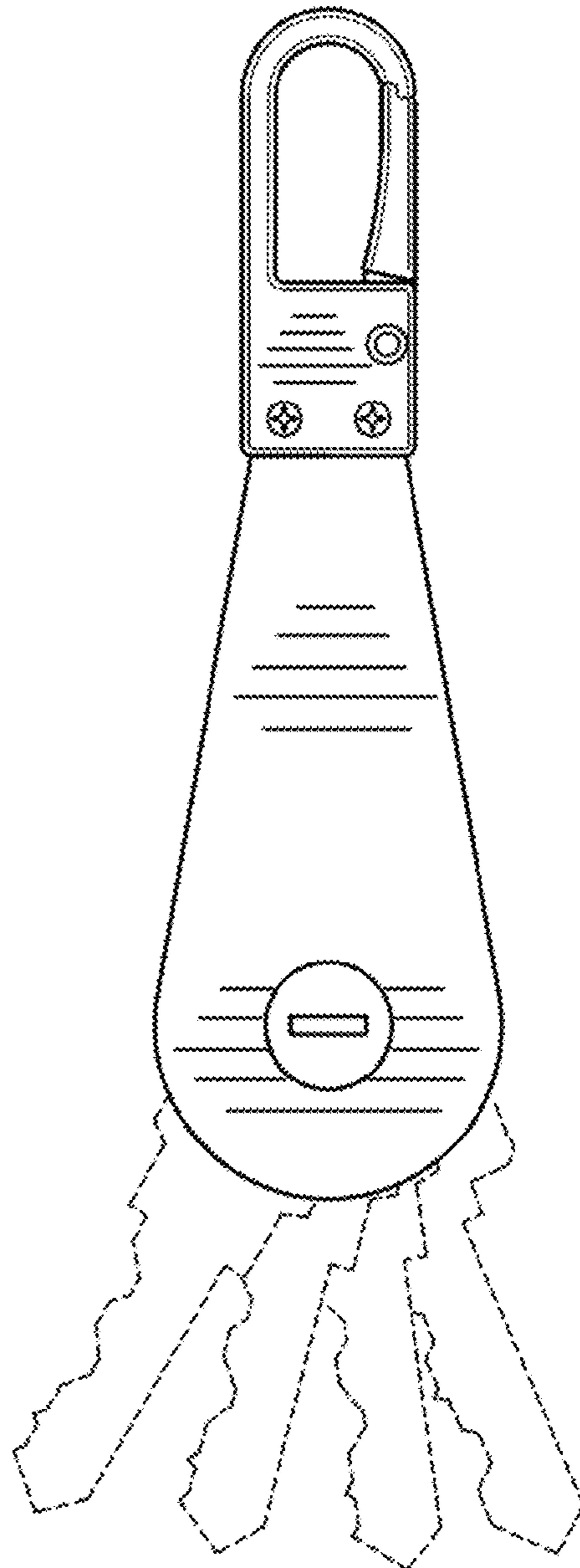


FIG. 5

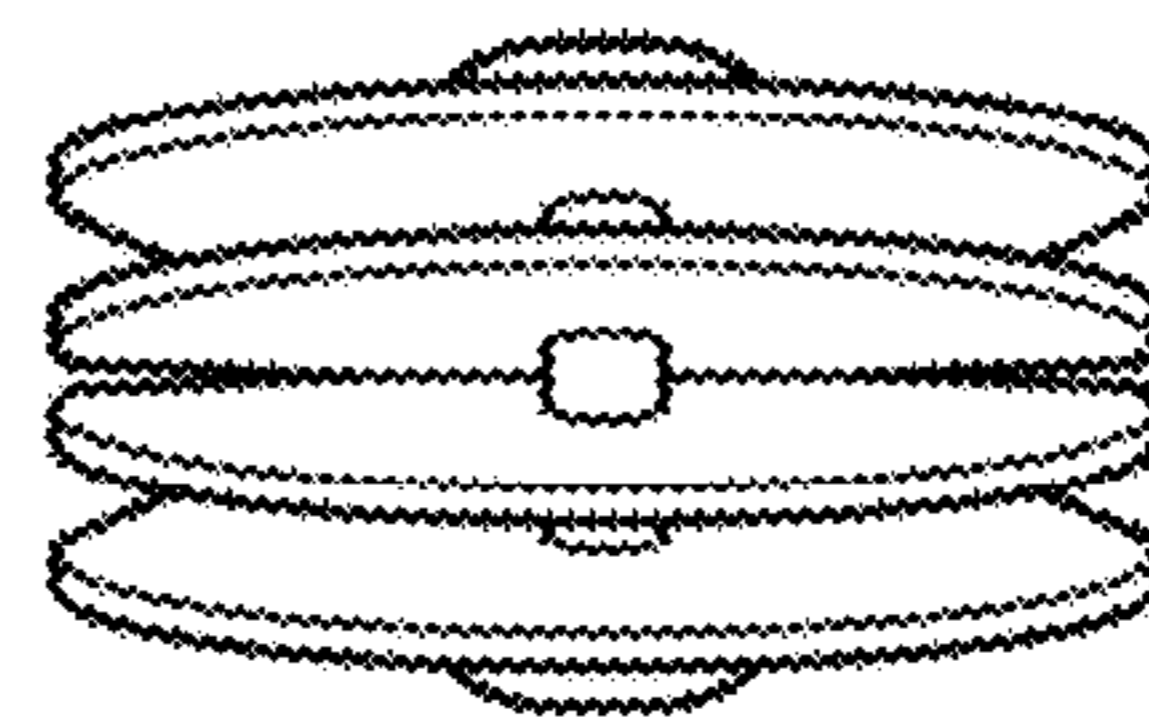


FIG. 6