



US00D749836S

(12) **United States Design Patent**
Park et al.

(10) **Patent No.:** **US D749,836 S**
(45) **Date of Patent:** **** Feb. 23, 2016**

(54) **PROTECTIVE CRADLE AND STORAGE
POUCHES FOR DEFIBRILLATOR/MONITOR**

(71) Applicant: **KONINKLIJKE PHILIPS N.V.**,
Eindhoven (NL)
(72) Inventors: **Jae Park**, Medford, MA (US); **Stephen
Robert Heath**, Andover, MA (US); **Min
Zhao**, Acton, MA (US)

(73) Assignee: **KONINKLIJKE PHILIPS N.V.**,
Eindhoven (NL)

(**) Term: **14 Years**

(21) Appl. No.: **29/497,920**

(22) Filed: **Jul. 30, 2014**

(30) **Foreign Application Priority Data**

Jan. 30, 2014 (EM) 002395368-0001

(51) **LOC (10) Cl.** **03-01**

(52) **U.S. Cl.**
USPC **D3/203.1**

(58) **Field of Classification Search**
USPC D3/201-205; D24/167-168; 607/5;
206/320; 294/146, 162, 166

See application file for complete search history.

(56) **References Cited**

U.S. PATENT DOCUMENTS

6,609,026 B2 * 8/2003 Salvatori A61N 1/3968
206/320
D591,039 S * 4/2009 Wung D3/203.1
D643,618 S * 8/2011 Guichet D3/203.1
D668,037 S * 10/2012 London D3/203.1
D702,040 S * 4/2014 Bozzi D3/203.1

* cited by examiner

Primary Examiner — Catheri Oliver-Garcia

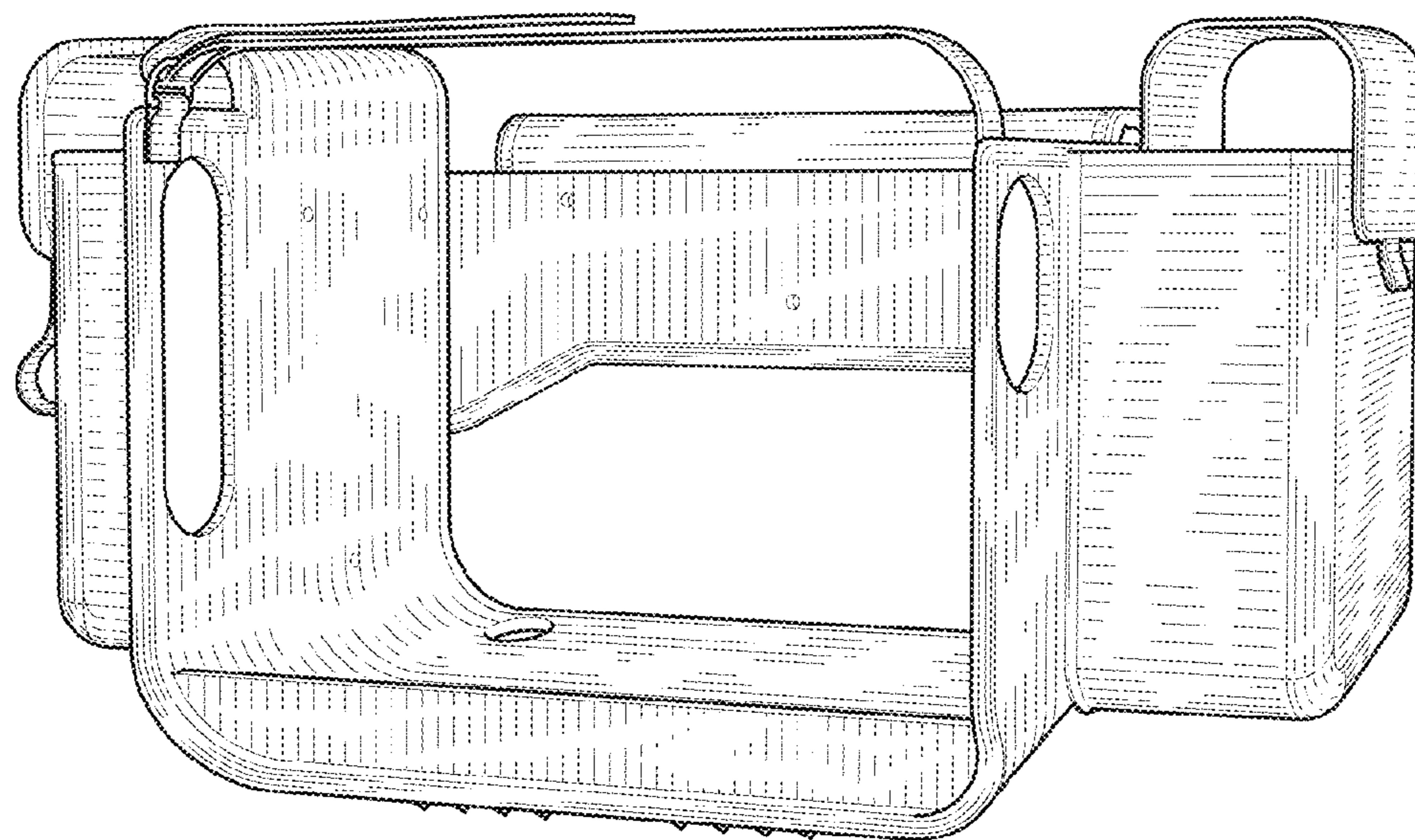
(57) **CLAIM**

The ornamental design for a protective cradle and storage
pouches for defibrillator/monitor, as shown.

DESCRIPTION

FIG. 1 is a perspective view showing my design;
FIG. 2 is a front elevational view thereof;
FIG. 3 is a rear elevational view thereof;
FIG. 4 is a right side elevational view thereof;
FIG. 5 is a left side elevational view thereof;
FIG. 6 is a top plan view thereof; and,
FIG. 7 is a bottom plan view thereof.

1 Claim, 4 Drawing Sheets



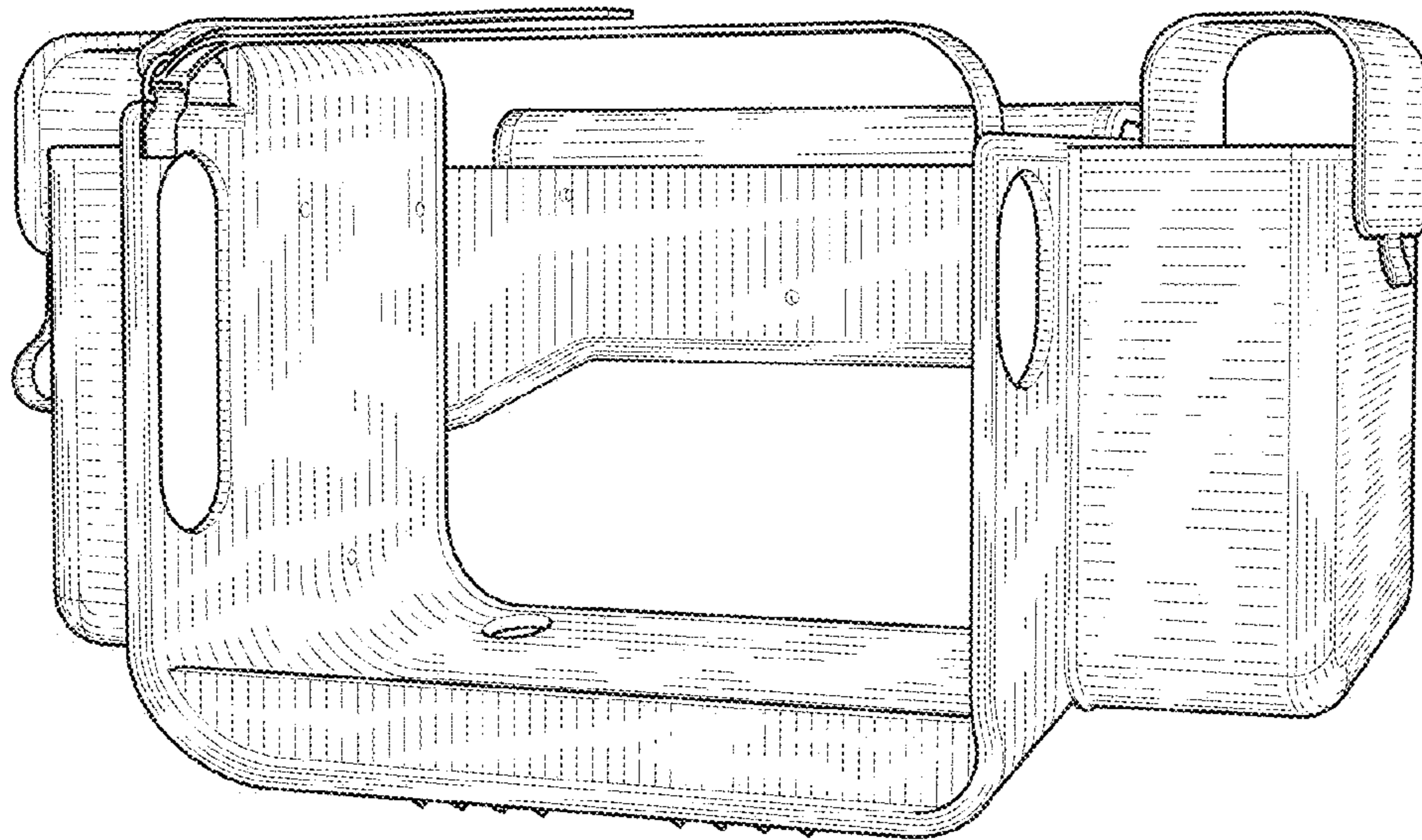


FIG. 1

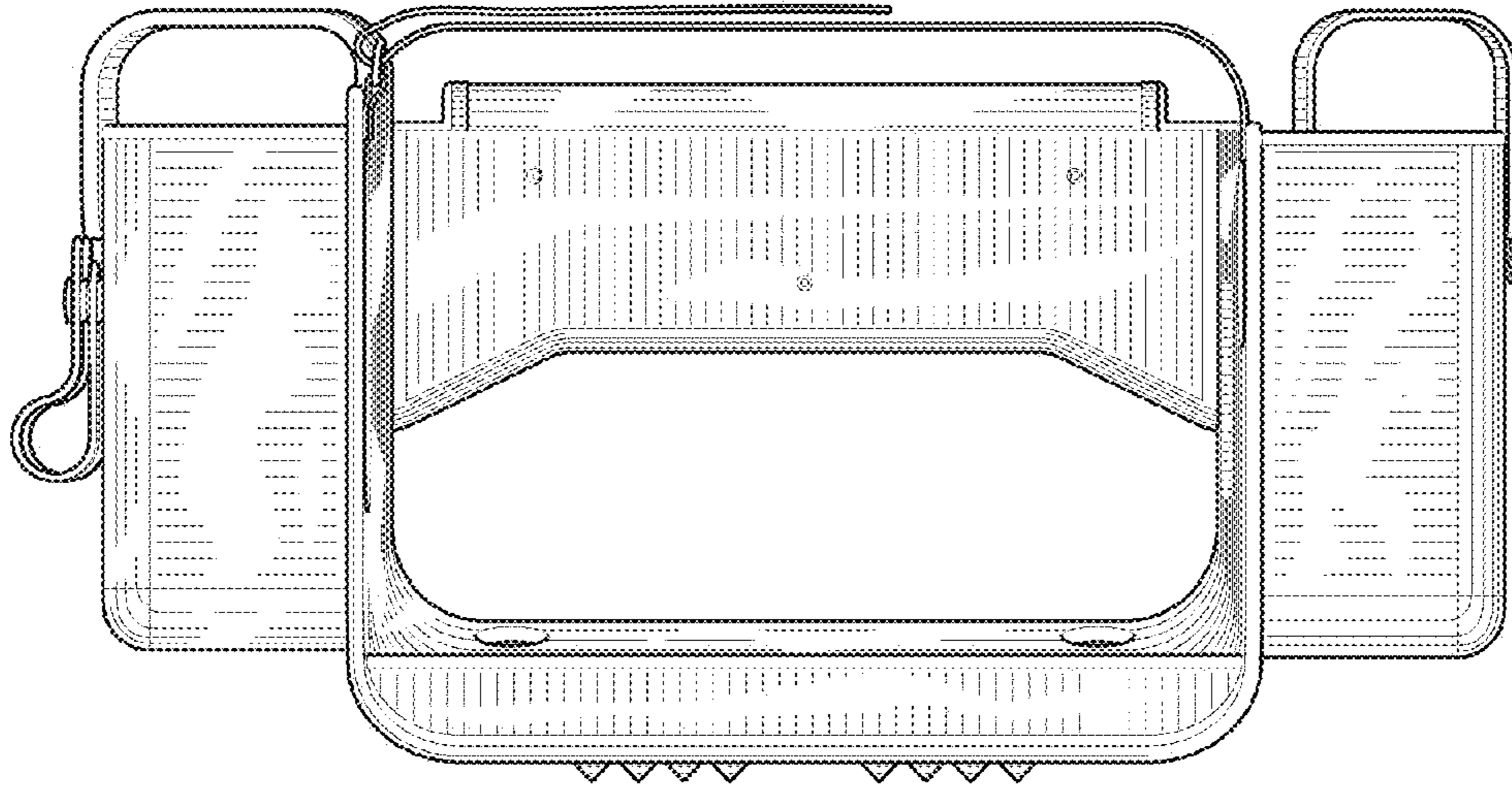


FIG. 2

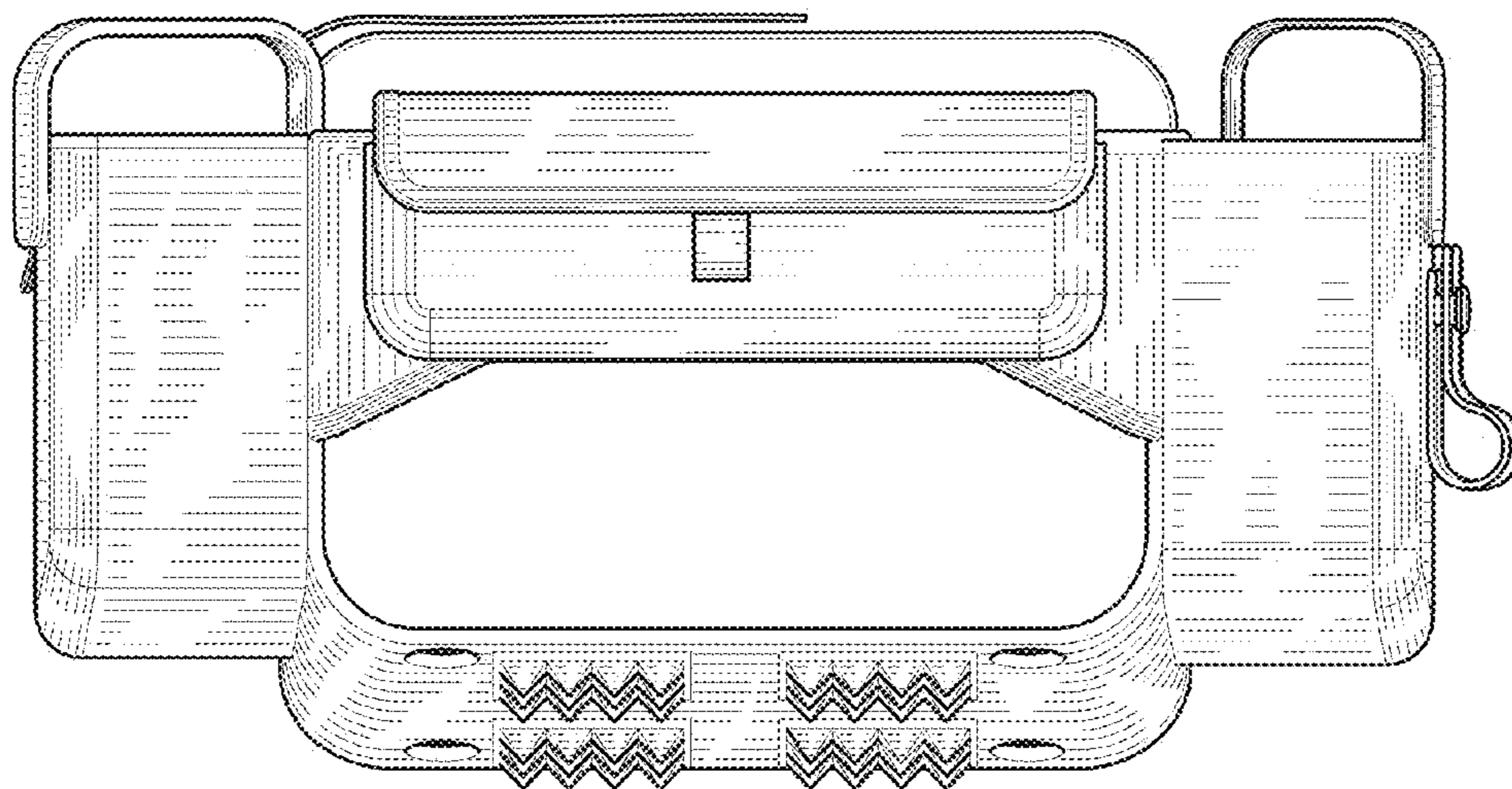


FIG. 3

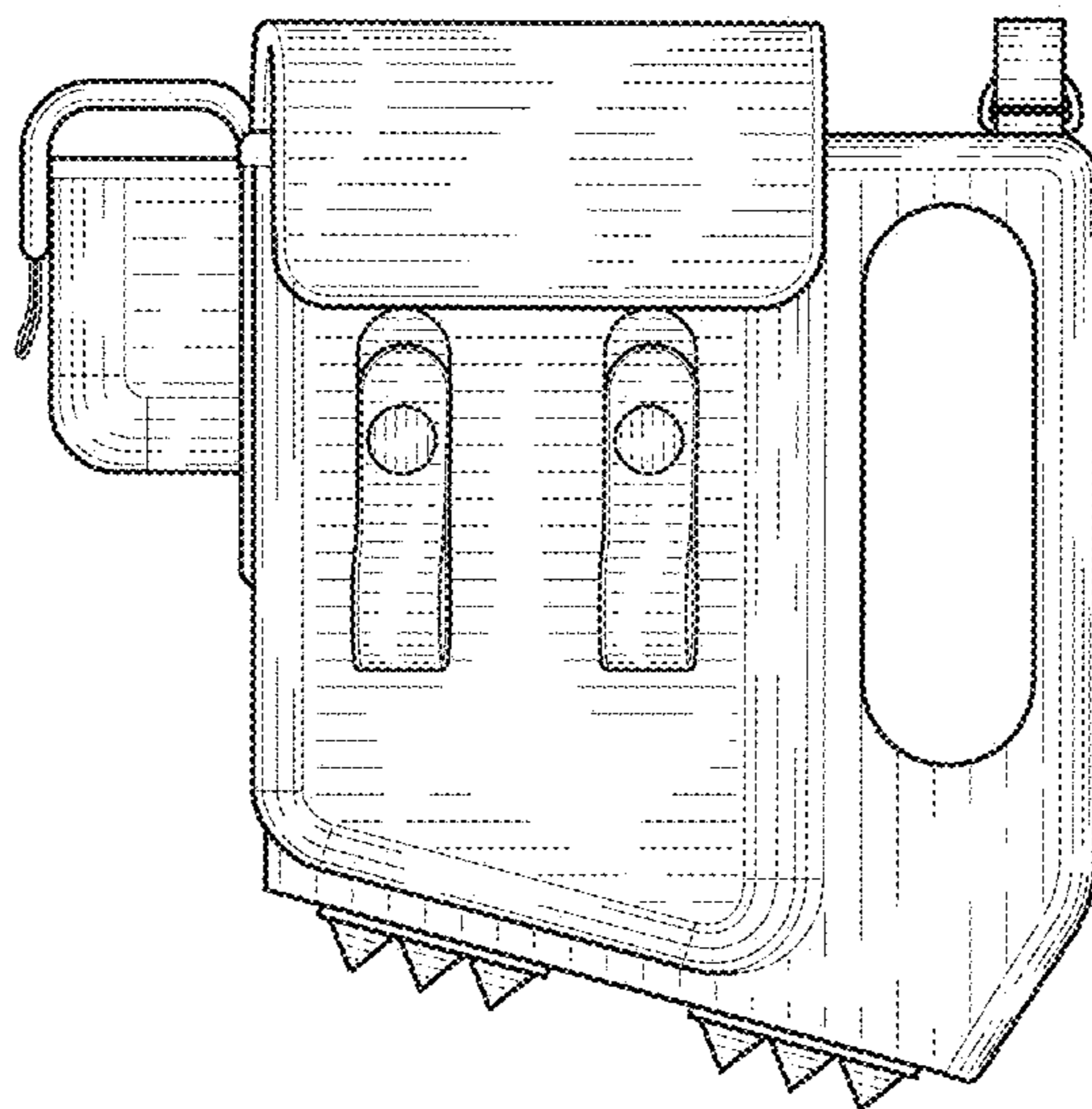


FIG. 4

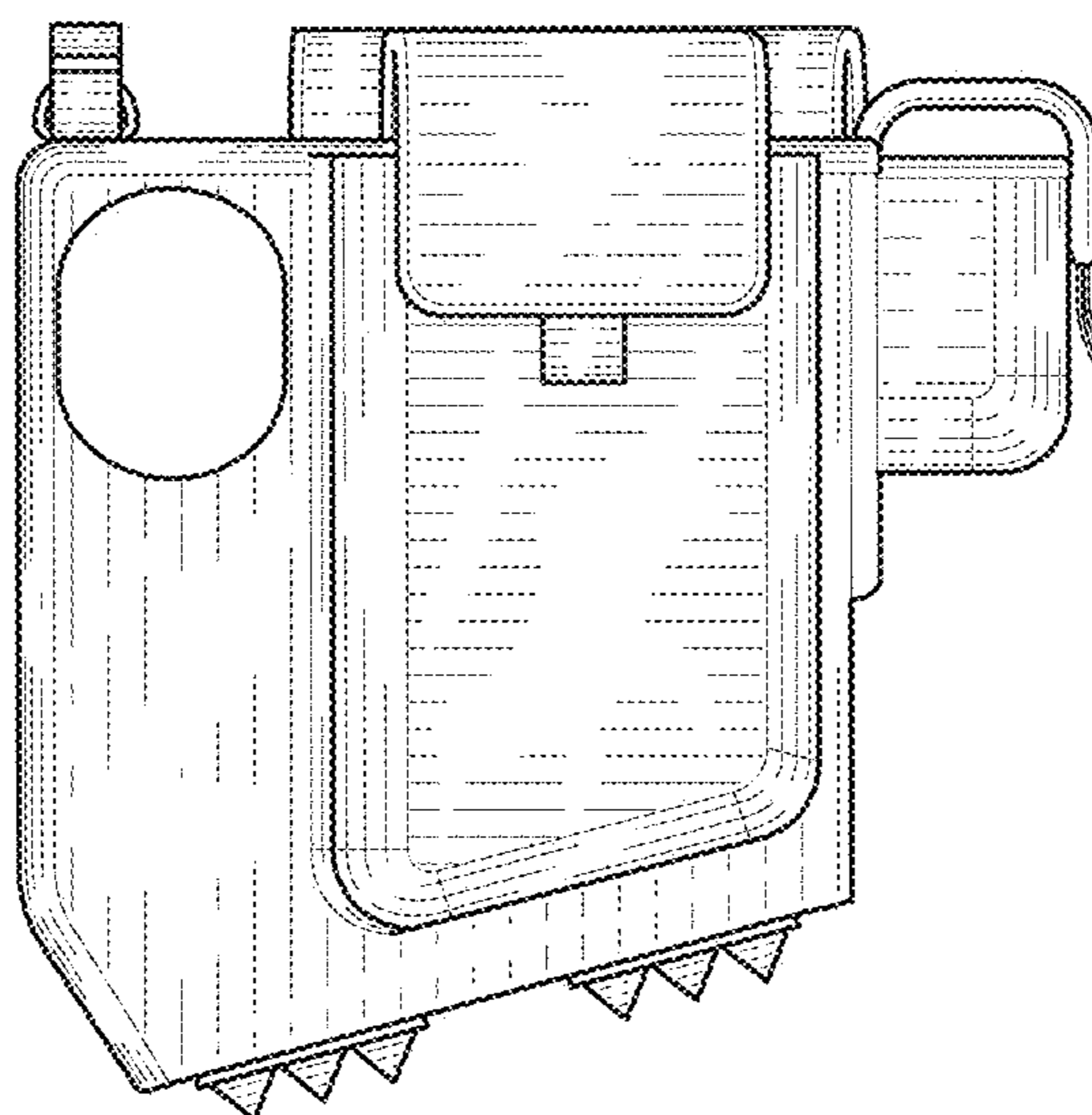


FIG. 5

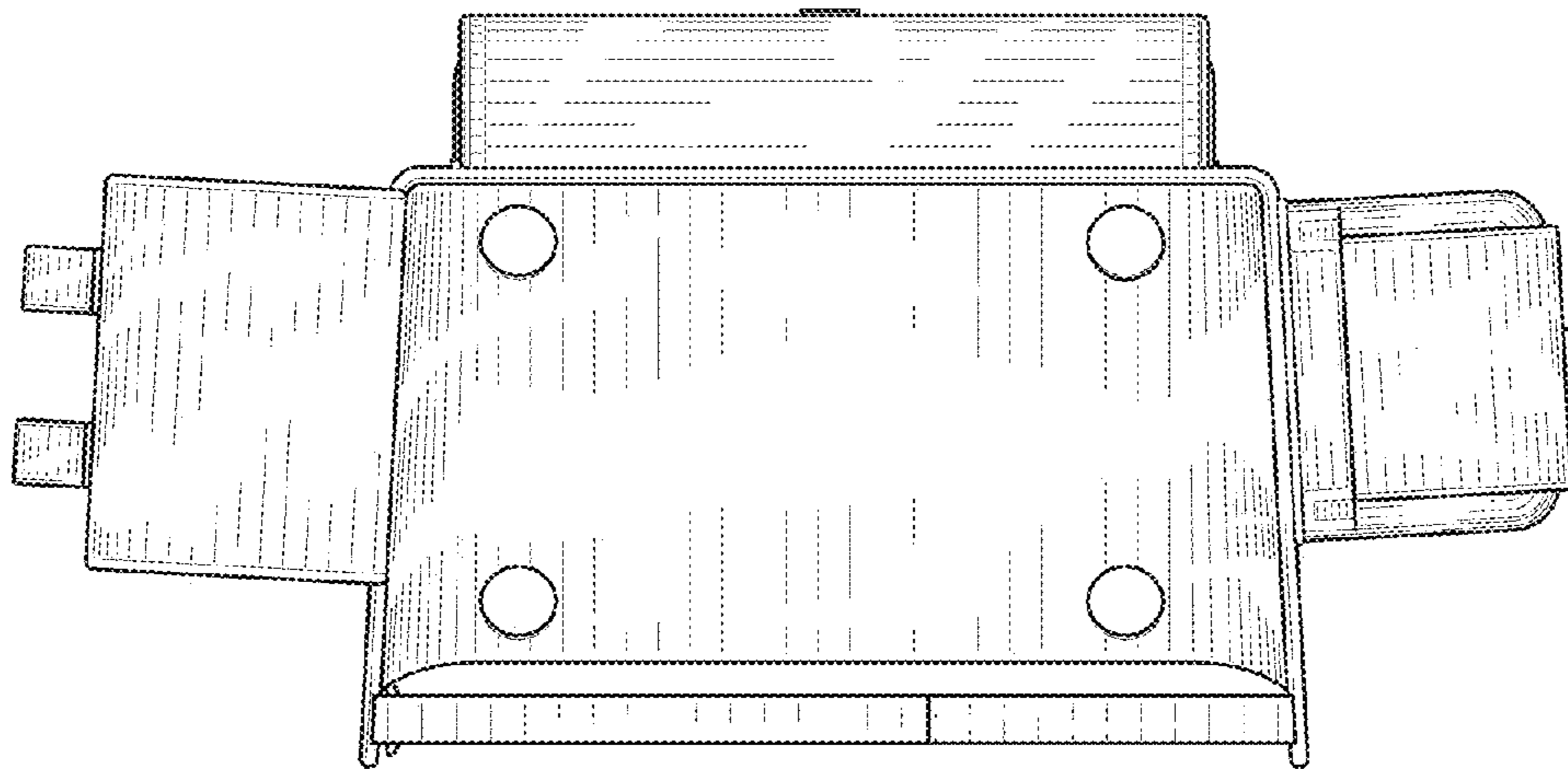


FIG. 6

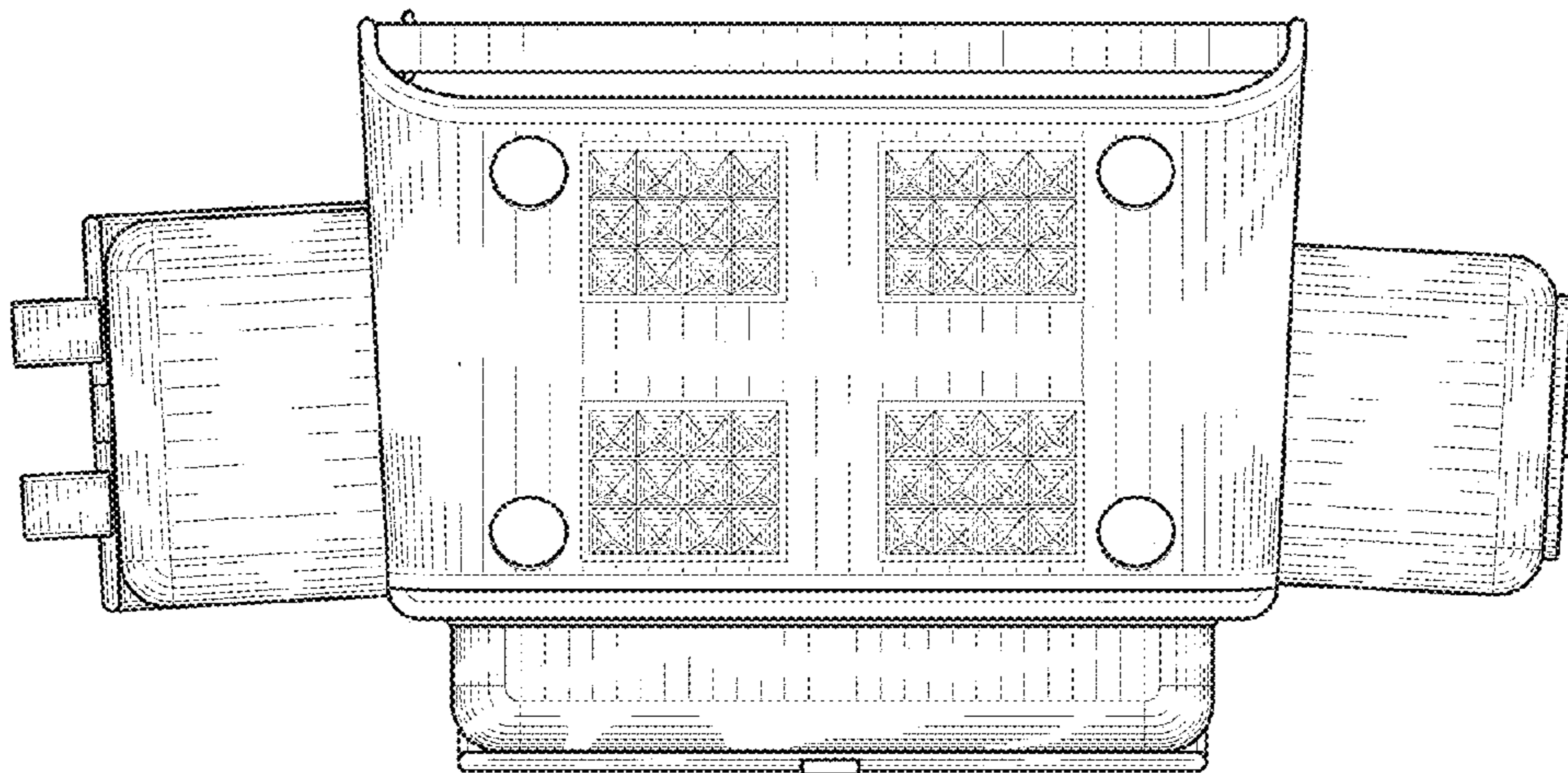


FIG. 7