



US00D749824S

(12) **United States Design Patent**  
**Savage**

(10) **Patent No.:** **US D749,824 S**  
(45) **Date of Patent:** **\*\* Feb. 23, 2016**

- (54) **SLEEVE CUFF FOR A GARMENT**
- (71) Applicant: **lululemon athletica canada, inc.**,  
Vancouver (CA)
- (72) Inventor: **Shannon Savage**, Vancouver (CA)
- (73) Assignee: **LULULEMON ATHLETICA CANADA INC.**, Vancouver (CA)
- (\*\*) Term: **14 Years**
- (21) Appl. No.: **29/476,492**
- (22) Filed: **Dec. 13, 2013**

**Related U.S. Application Data**

- (62) Division of application No. 29/396,380, filed on Jun. 29, 2011, now Pat. No. Des. 699,925.
- (51) **LOC (10) Cl.** ..... **02-02**
- (52) **U.S. Cl.**  
USPC ..... **D2/858**
- (58) **Field of Classification Search**  
USPC ..... D2/828, 840, 858, 750  
See application file for complete search history.

(56) **References Cited**

**U.S. PATENT DOCUMENTS**

- 5,784,720 A \* 7/1998 Mellon ..... A41D 19/0041  
2/123
- D397,222 S \* 8/1998 Humensky ..... D24/190
- D402,441 S 12/1998 Kelly
- 6,449,772 B1 \* 9/2002 Donner ..... A41D 13/088  
2/16
- 7,120,936 B2 10/2006 DeSantis
- 7,200,870 B1 \* 4/2007 Kolk ..... A41D 13/08  
2/16
- D546,003 S 7/2007 Choi et al.
- D576,377 S 9/2008 Galasso
- D576,378 S 9/2008 Galasso
- D584,883 S 1/2009 Galasso

- D598,639 S \* 8/2009 Holder ..... D2/828
- D615,280 S 5/2010 Graulich
- D628,362 S 12/2010 Bonelli
- D628,363 S \* 12/2010 Bengyak ..... D2/610
- D639,023 S \* 6/2011 Iamartino ..... D2/750
- D642,770 S \* 8/2011 Bengyak ..... D2/840

(Continued)

**OTHER PUBLICATIONS**

TheMomBuzz. <http://themombuzz.com/2011/07/15/thumbs-up-jacket-coupon-code-for-4allbyjofit/>. Jul. 2011. "Thumbs Up Jacket".\*

(Continued)

*Primary Examiner* — Rashida Johnson

(74) *Attorney, Agent, or Firm* — McCarthy Tétrault LLP

(57) **CLAIM**

The ornamental design for sleeve cuff for a garment, as shown and described.

**DESCRIPTION**

FIG. 1 is a front view of a sleeve cuff for a garment according to the design;

FIG. 2 is a rear view thereof;

FIG. 3 is an enlarged front view of the sleeve cuff of FIG. 1;

FIG. 4 is a rear view of the sleeve cuff of FIG. 3;

FIG. 5 is a right side view of the sleeve cuff of FIG. 3;

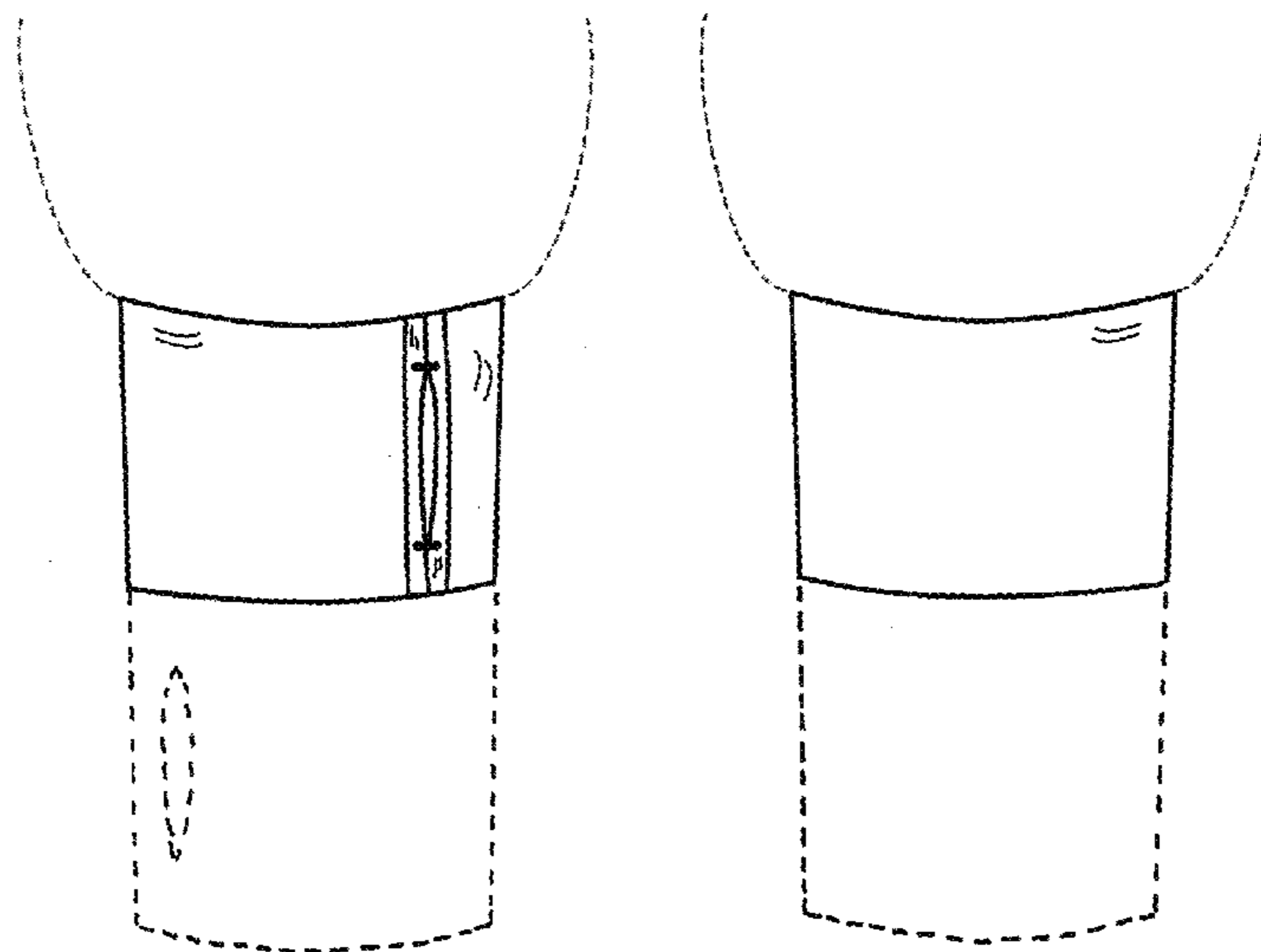
FIG. 6 is a left side view of the sleeve cuff of FIG. 3;

FIG. 7 is a front perspective view of the sleeve cuff of FIG. 3;

and,

FIG. 8 is a front view of the sleeve cuff of FIG. 3 shown in use with the slit in the sleeve cuff shown in its opened position. The portions shown in broken lines in FIGS. 1-8 do not form part of the claimed design. The broken line showing of the hand and wrist watch in FIG. 8 is for the purpose of illustrating portions of the environmental structure and forms no part of the claimed design.

**1 Claim, 8 Drawing Sheets**



(56)

**References Cited**

U.S. PATENT DOCUMENTS

D662,284 S \* 6/2012 Lam ..... D2/831  
D701,368 S \* 3/2014 Borovicka ..... D2/831  
D715,029 S \* 10/2014 Roberts ..... D2/840  
2012/0311766 A1 \* 12/2012 Clark ..... A41D 19/01  
2/158  
2014/0250565 A1 \* 9/2014 Willows ..... A41D 19/002  
2/160

OTHER PUBLICATIONS

Carrots 'N' Cake. <http://carrotsncake.com/2012/11/fall-field-day.html>. Nov. 2012. Reebok "Play Dry Jacket".\*  
Gadgetmac. <http://gadgetmac.com/alt/westcomb-ozone-hoody-hands-on.html>. Feb. 2013. "Ozone Hoody".\*

\* cited by examiner

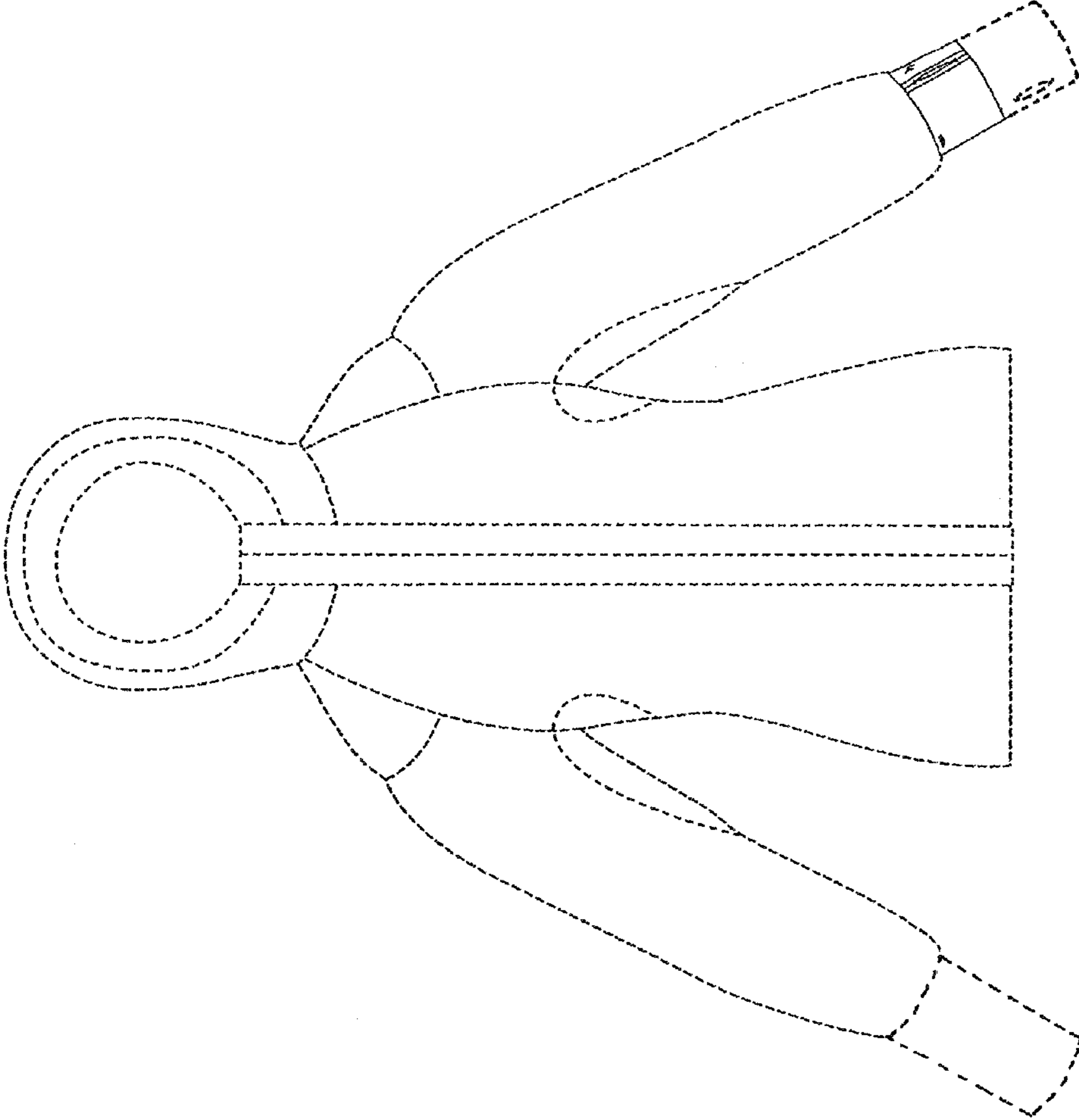


FIG. 1

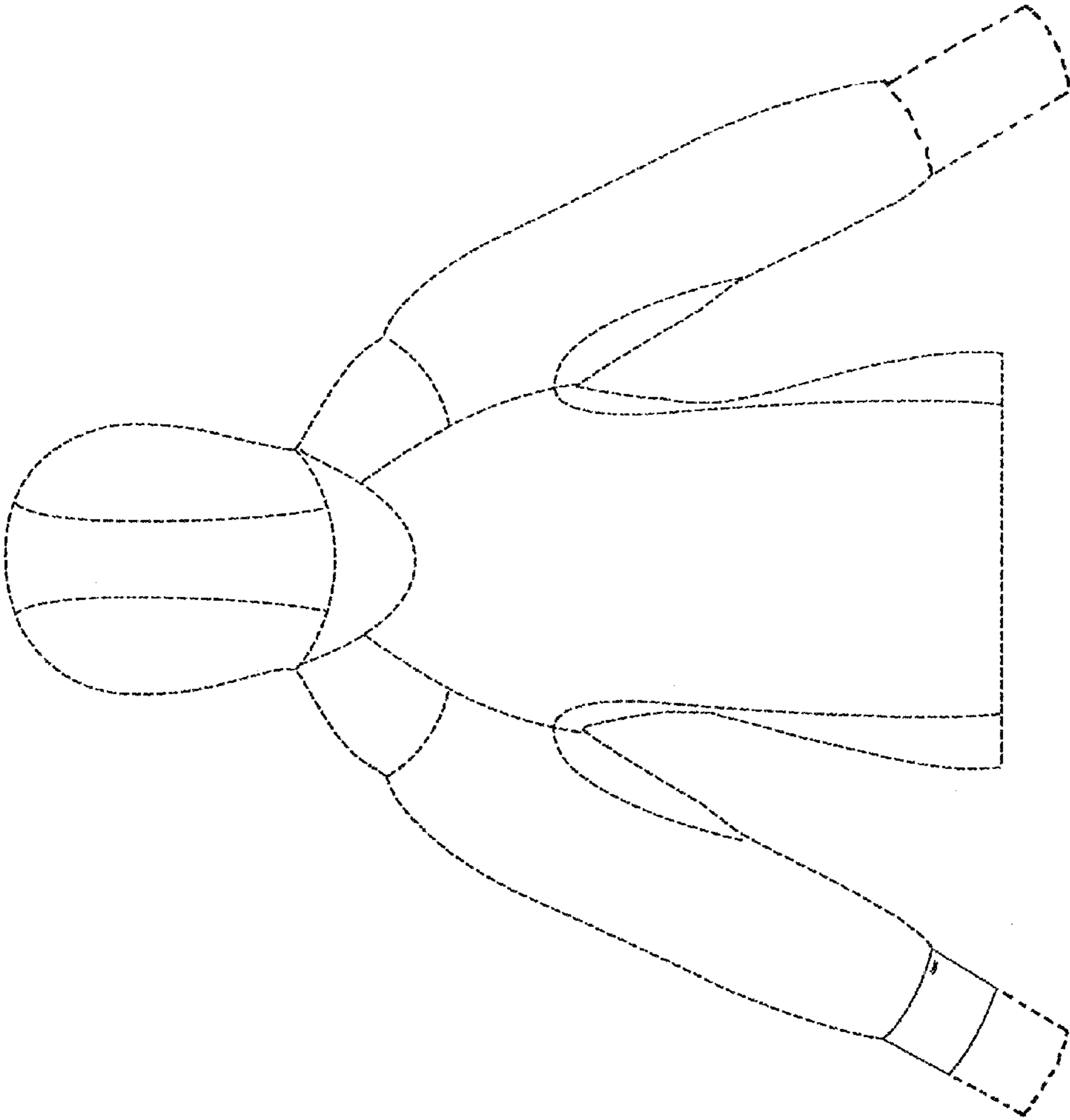


FIG. 2

FIG. 3

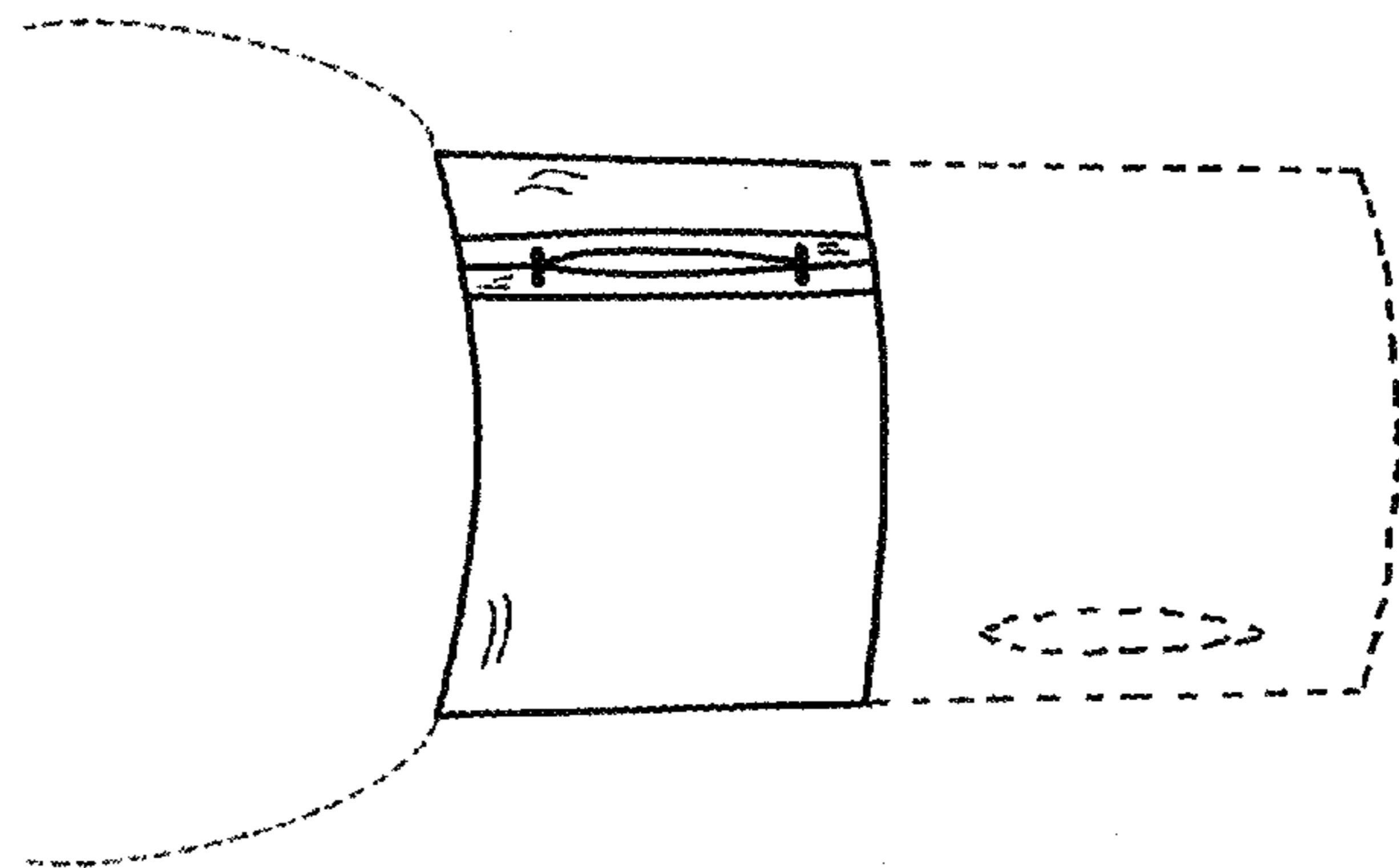


FIG. 4

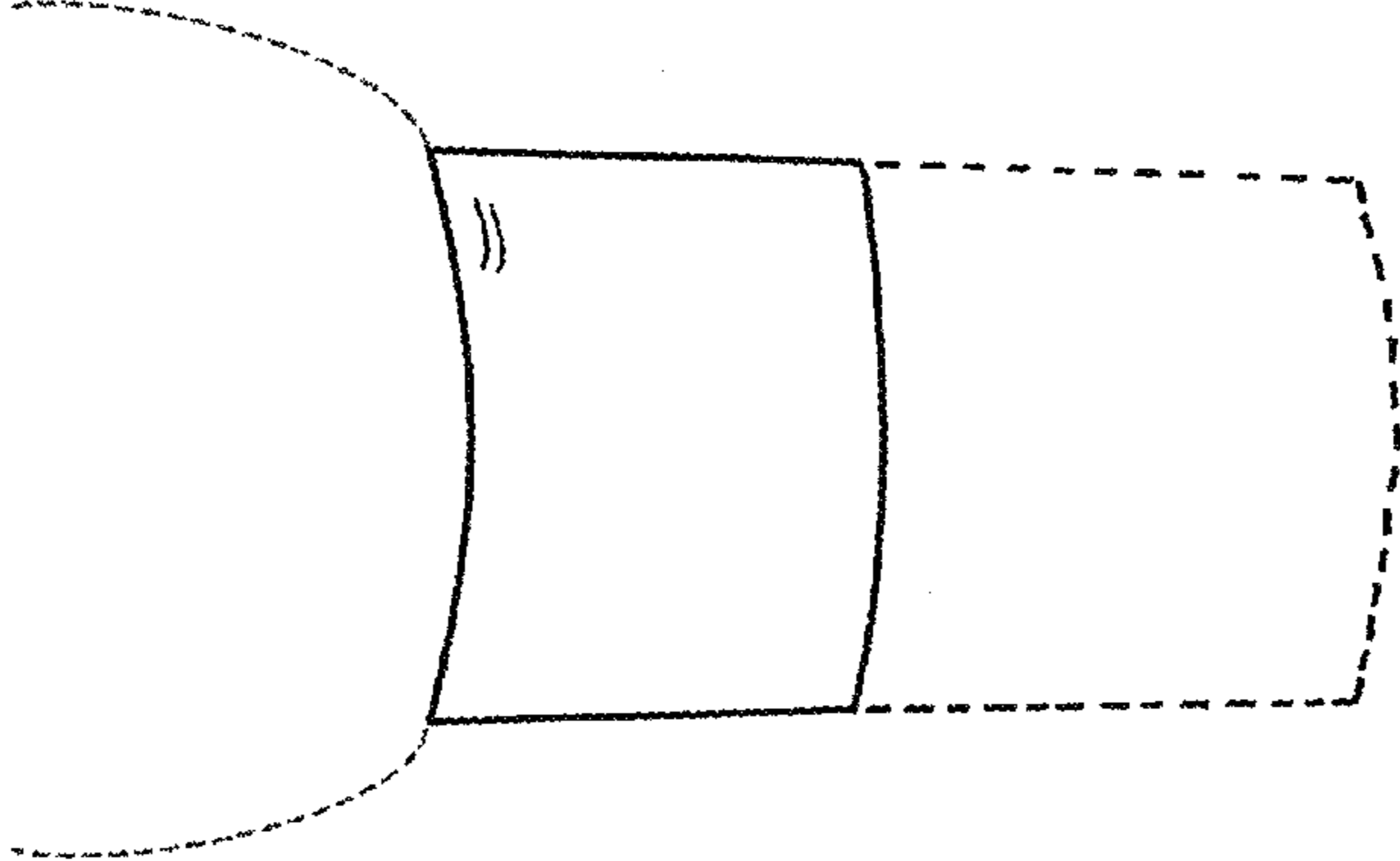
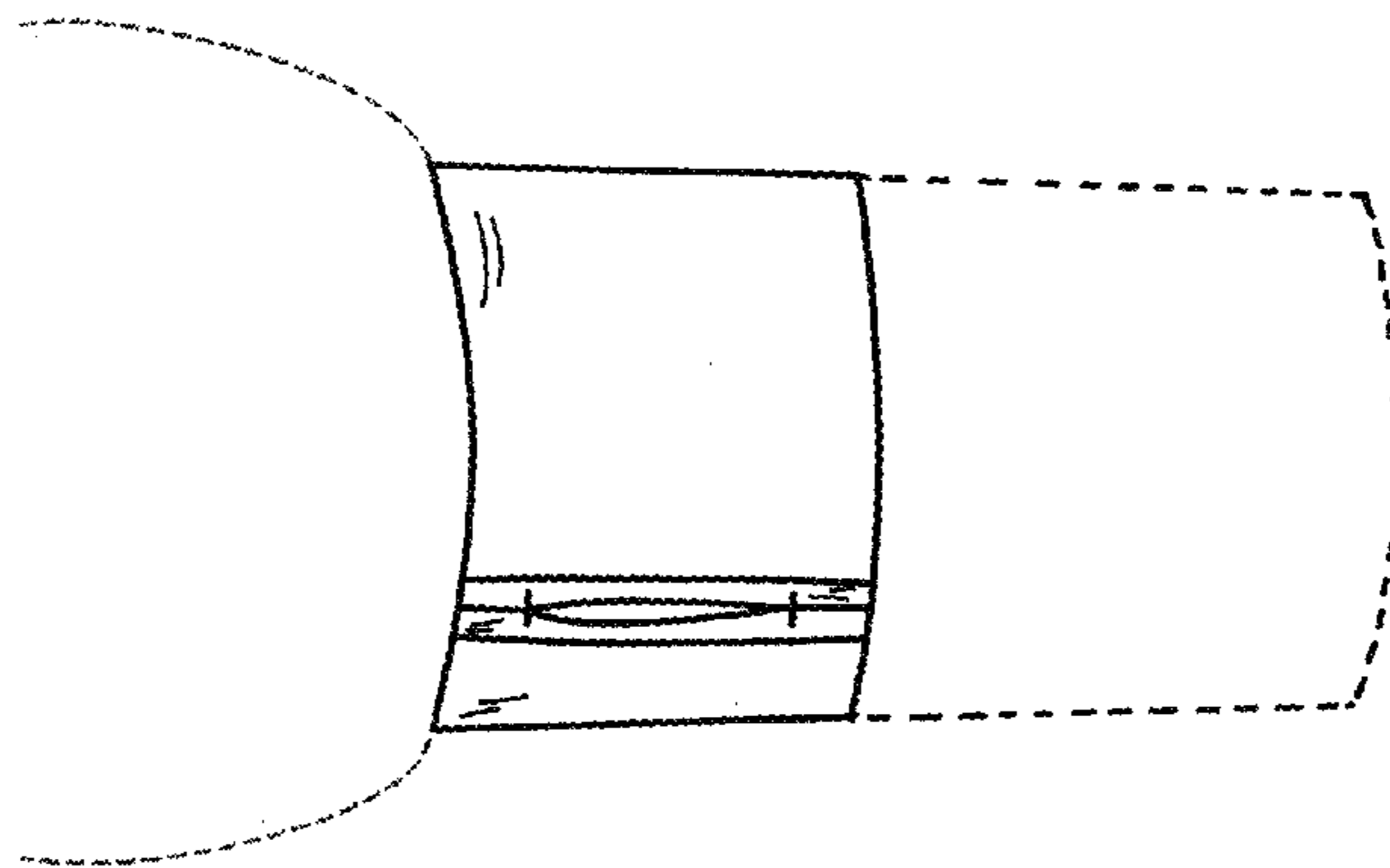


FIG. 5



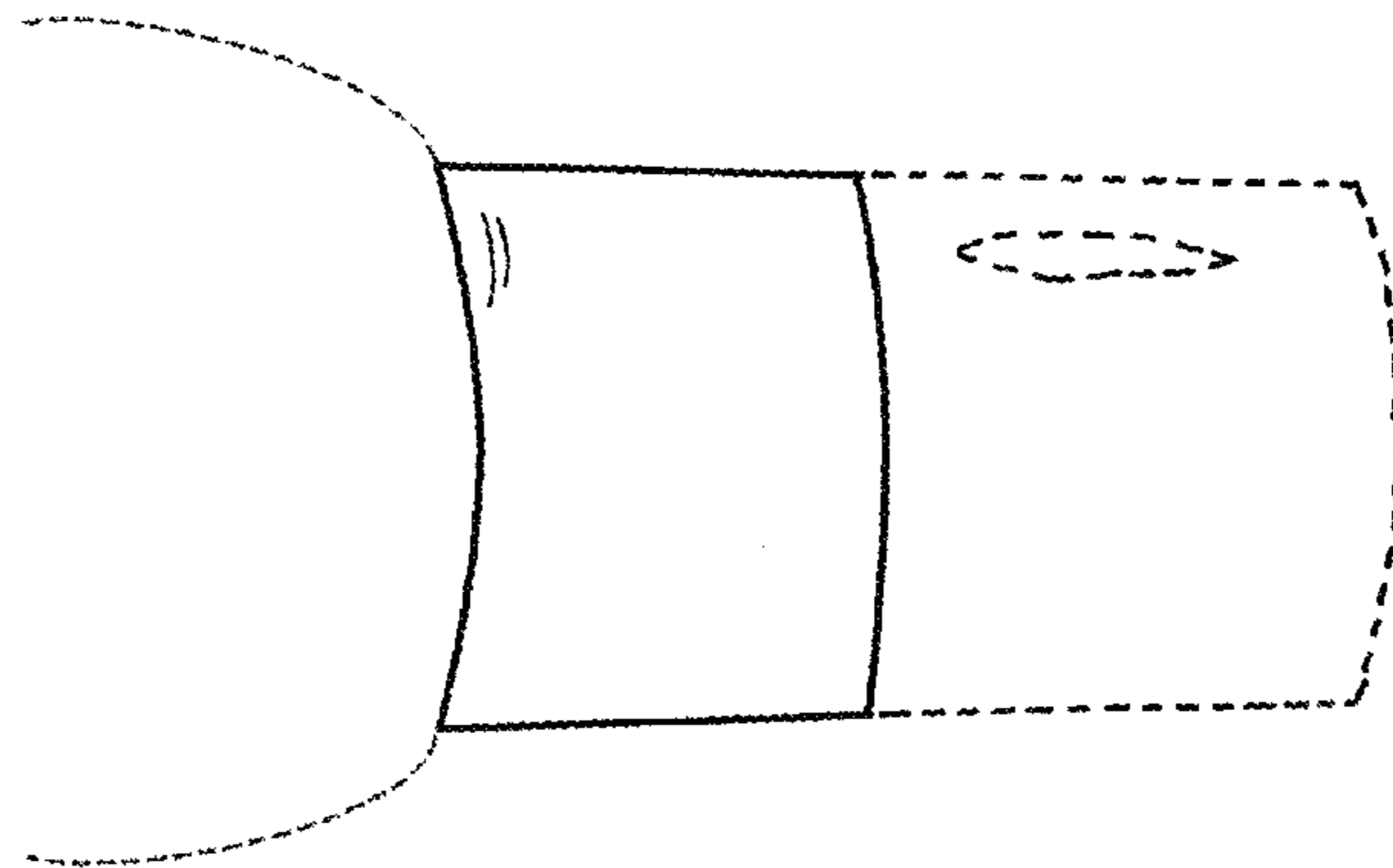


FIG. 6



FIG. 7

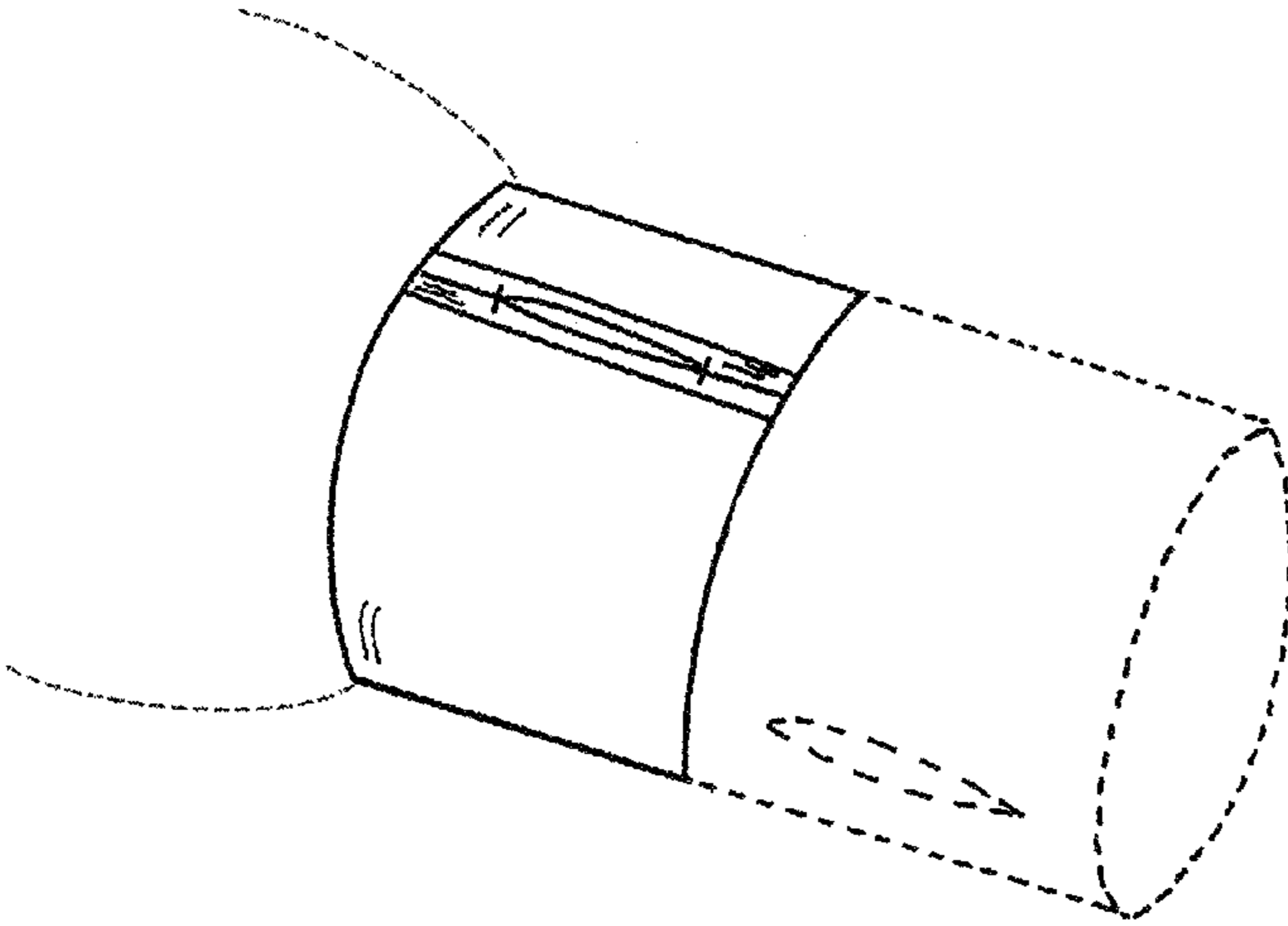


FIG. 8

