



US00D749823S

(12) **United States Design Patent**
Grosbøl

(10) **Patent No.:** **US D749,823 S**

(45) **Date of Patent:** **** Feb. 23, 2016**

(54) **JACKET**

(71) Applicant: **Mascot International A/S, Silkeborg (DK)**

(72) Inventor: **Michael Grosbøl, Silkeborg (DK)**

(73) Assignee: **Mascot International A/S (DK)**

(**) Term: **14 Years**

(21) Appl. No.: **29/495,482**

(22) Filed: **Jul. 1, 2014**

(51) **LOC (10) Cl.** **02-02**

(52) **U.S. Cl.**
USPC **D2/839**

(58) **Field of Classification Search**
USPC D2/715, 750, 755, 839, 828-831, 836,
D2/847, 853; 2/69, 77, 85-87, 90, 93, 96,
2/108, 115, 125, 128, 247, 2.17, 46, 51,
2/202
CPC A41D 1/00; A41D 1/02; A41D 1/04;
A41D 3/00; A41D 3/08
See application file for complete search history.

(56) **References Cited**

U.S. PATENT DOCUMENTS

1,987,838 A	1/1935	Miller	
2,462,361 A	2/1949	Cassens	
D153,438 S	4/1949	Kratz	
D178,744 S	9/1956	Warmflash	
D181,082 S	9/1957	Warmflash	
D243,724 S *	3/1977	Schaefer	D2/839
5,924,135 A	7/1999	Worth	
6,052,826 A	4/2000	Tolton	
6,119,270 A	9/2000	Chou	
6,163,883 A	12/2000	Hong	
6,490,734 B2	12/2002	Blauer et al.	

D527,868 S *	9/2006	Wager	D2/828
D580,631 S *	11/2008	Adams et al.	D2/839
D588,783 S	3/2009	Olstorn	
D618,440 S	6/2010	Parker	
D620,231 S	7/2010	Parker	
D622,937 S *	9/2010	Bay	D2/830
D641,137 S	7/2011	Evans et al.	
D654,664 S	2/2012	Evans et al.	
D662,282 S	6/2012	Meunier-Bouchard	
D679,072 S	4/2013	Abbevik et al.	
D685,158 S *	7/2013	Lambertz	D2/828
8,522,369 B2	9/2013	Bay	
D698,527 S *	2/2014	Roberts et al.	D2/839
D703,416 S *	4/2014	Roberts et al.	D2/839
D707,017 S	6/2014	Wolf et al.	
D714,525 S *	10/2014	Payne	D2/828

(Continued)

Primary Examiner — Caron D Veynar

Assistant Examiner — Abraham Bahta

(74) *Attorney, Agent, or Firm* — Mayback & Hoffman, P.A.;
Gregory L. Mayback

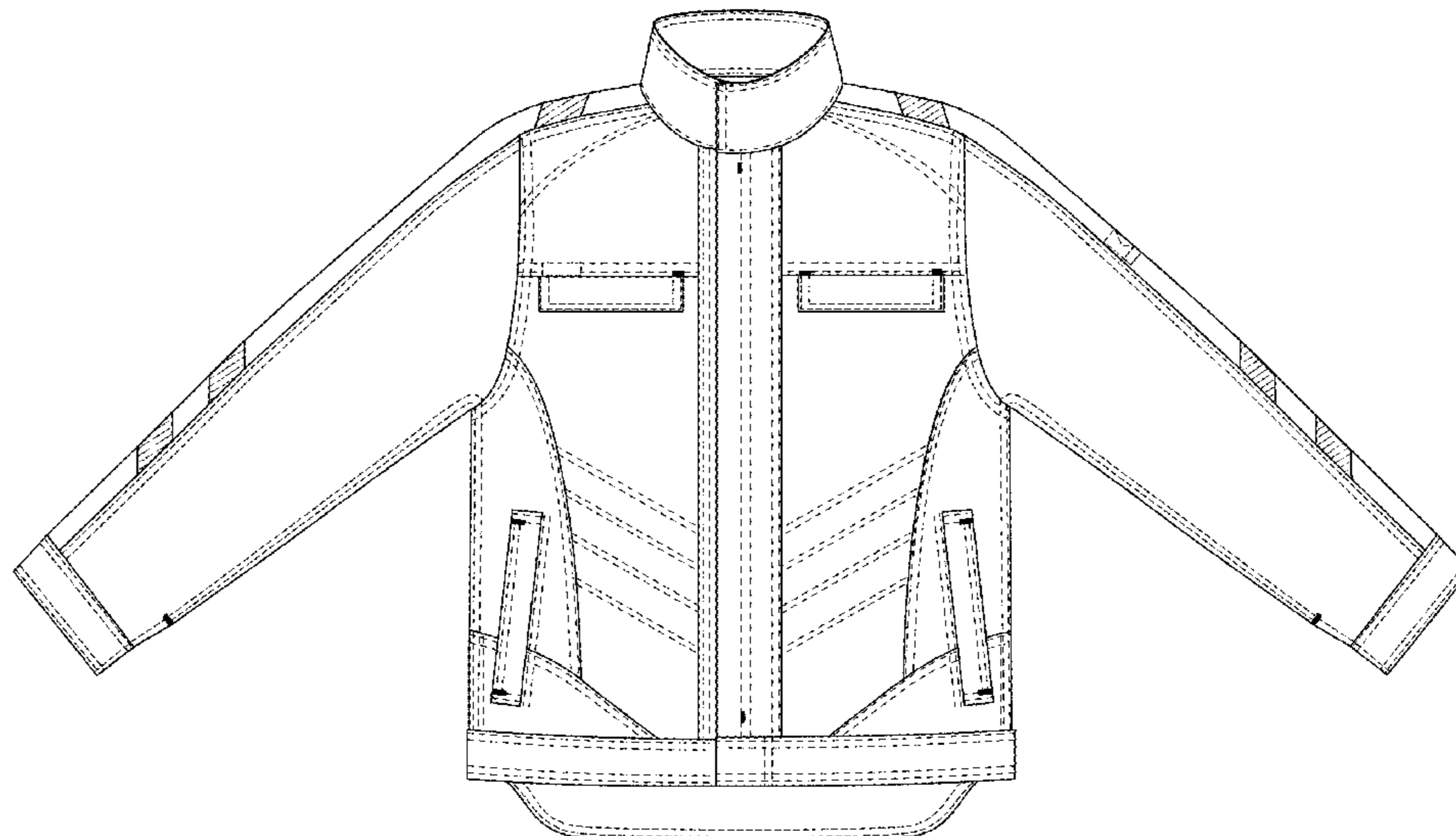
(57) **CLAIM**

The ornamental design for a jacket, as shown and described.

DESCRIPTION

FIG. 1 is a front elevational view of the jacket showing my new design thereof;
FIG. 2 is a rear elevational view of the jacket of FIG. 1;
FIG. 3 is a right side elevational view of the jacket of FIG. 1;
FIG. 4 is a left side elevational view of the jacket of FIG. 1;
FIG. 5 is a top plan view of the jacket of FIG. 1; and,
FIG. 6 is a bottom plan view of the jacket of FIG. 1.
The dash-dash lines in FIGS. 1 through 6 of the jacket are for the purpose of illustrating stitching lines and form part of the claimed design. The two differently hatched areas, shown in FIGS. 1 through 5, represent contrasted surfaces and do not represent any specific color or color combination.

1 Claim, 4 Drawing Sheets



US D749,823 S

Page 2

(56)

References Cited

U.S. PATENT DOCUMENTS

			2008/0005825	A1	1/2008	Tronvold
			2008/0184454	A1	8/2008	Collier
			2010/0320241	A1	12/2010	Thompson
	D735,447	S *	8/2015	Brown	D2/836
	2006/0150298	A1	7/2006	Jones		

* cited by examiner

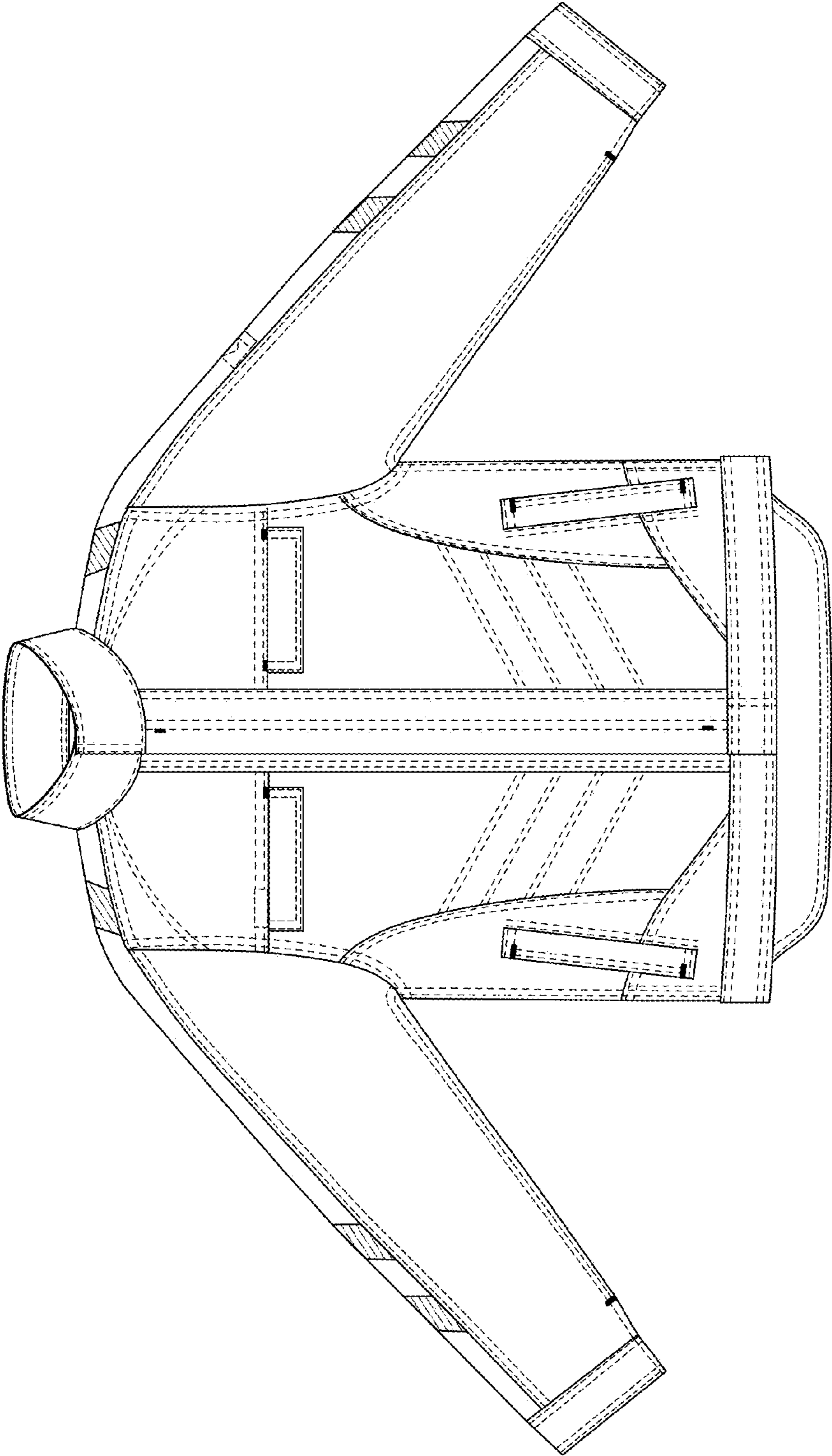


FIG. 1

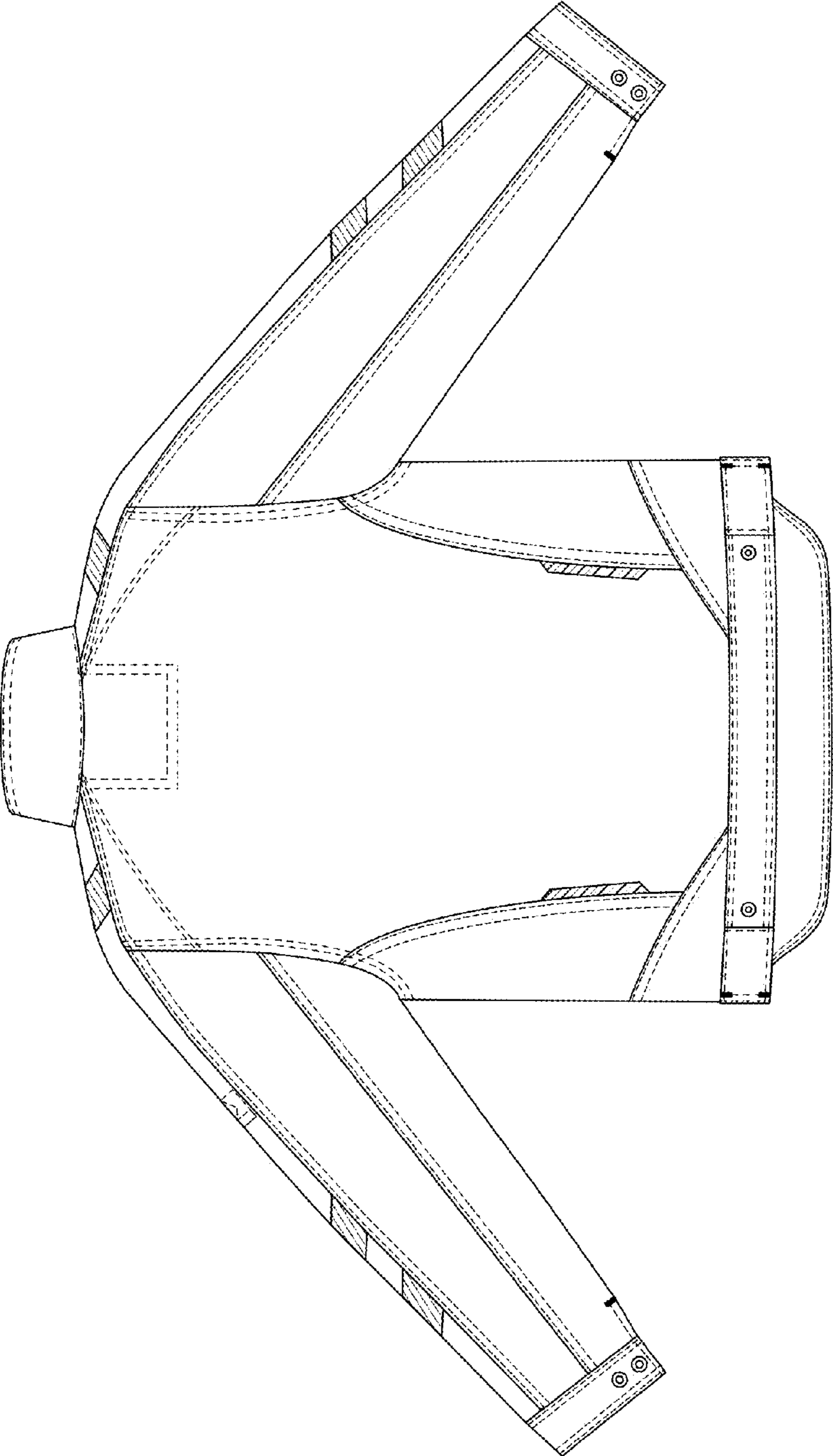


FIG. 2

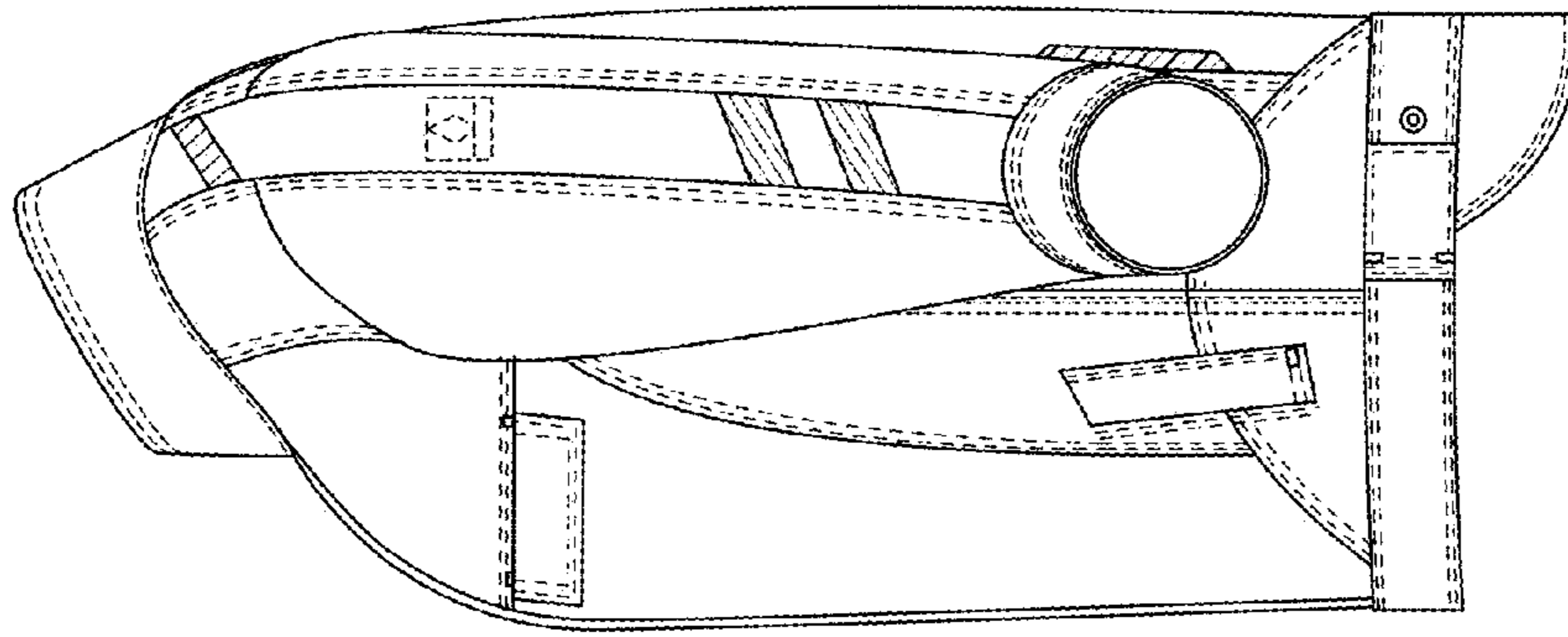


FIG. 3

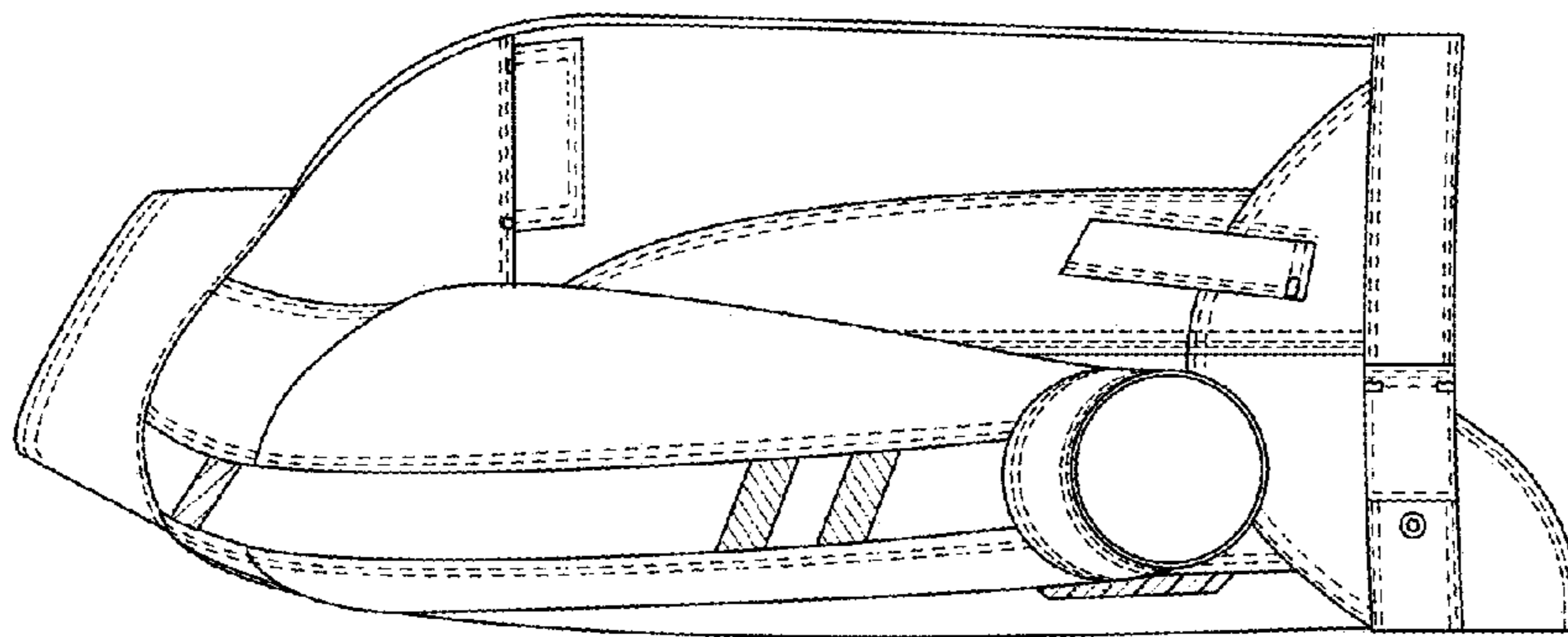


FIG. 4

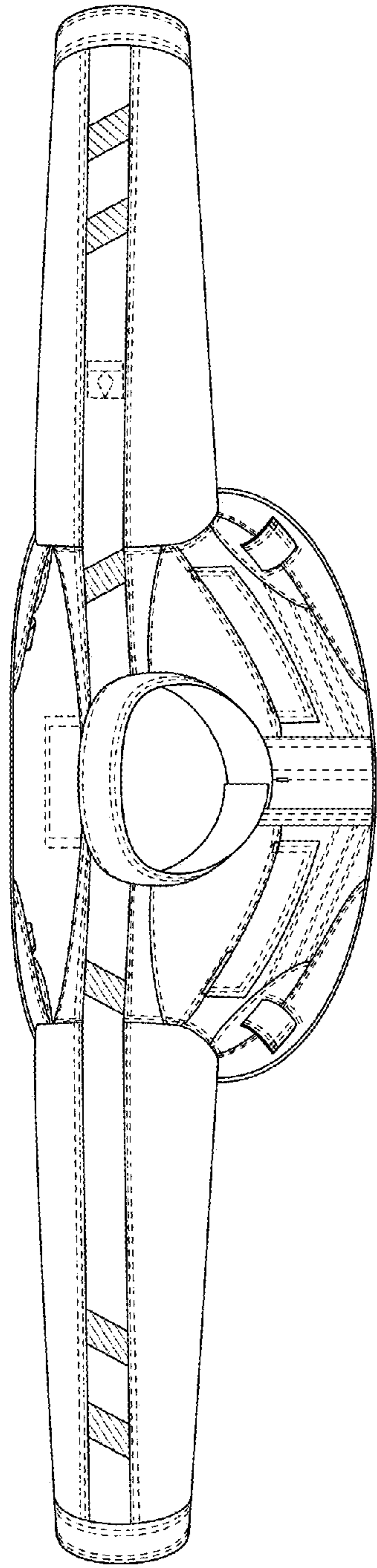


FIG. 5

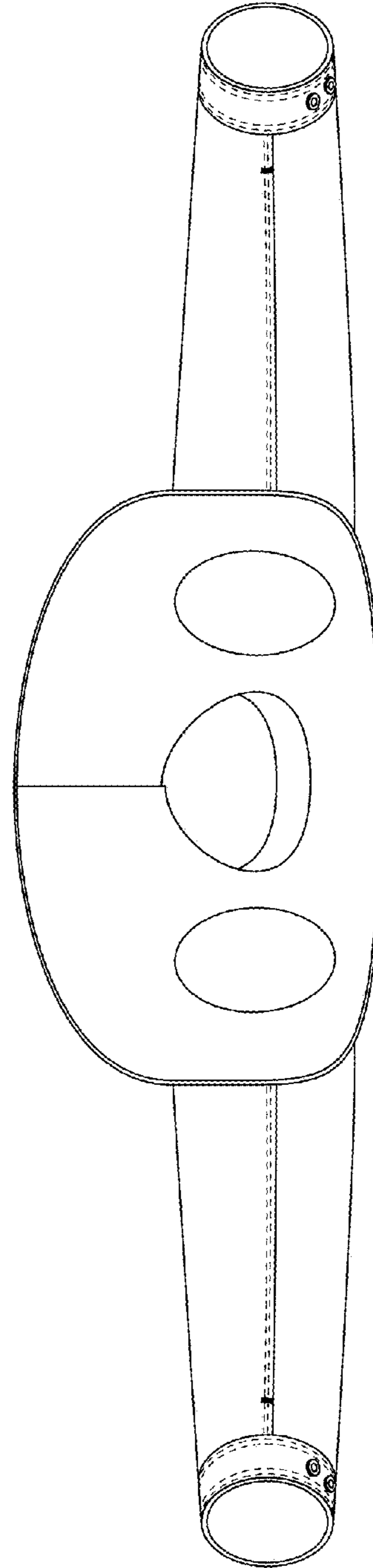


FIG. 6