



US00D749818S

(12) **United States Design Patent**  
**Hou**

(10) **Patent No.:** **US D749,818 S**

(45) **Date of Patent:** **\*\* Feb. 23, 2016**

(54) **SCARF HAVING ADJUSTMENT OPENINGS**

(71) Applicant: **Eve Hou**, Houston, TX (US)

(72) Inventor: **Eve Hou**, Houston, TX (US)

(\*\*) Term: **14 Years**

(21) Appl. No.: **29/510,160**

(22) Filed: **Nov. 25, 2014**

(51) **LOC (10) Cl.** ..... **02-05**

(52) **U.S. Cl.**  
USPC ..... **D2/502**

(58) **Field of Classification Search**  
USPC ..... D2/500, 501, 502, 503, 504, 505, 506,  
D2/507, 508, 600, 605, 606  
CPC ..... A41D 23/00; A41D 2023/002; A41D  
2023/004; A41D 2023/008; A41D 25/00;  
A41D 25/001; A41D 25/003; A41D 25/005;  
A41D 25/006; A41G 5/0093; A41F 9/00;  
A44B 9/00

See application file for complete search history.

(56) **References Cited**

U.S. PATENT DOCUMENTS

- 1,405,744 A \* 2/1922 Sampliner ..... A41D 23/00  
2/91
- 1,751,963 A \* 3/1930 Weinschreider ..... A41D 25/003  
2/145
- D299,383 S \* 1/1989 Rosenbaum ..... D2/605
- 5,461,726 A \* 10/1995 Wade ..... A41D 25/00  
2/144
- D396,338 S \* 7/1998 Yang ..... D2/500
- 5,815,835 A \* 10/1998 Craddock ..... A41D 27/08  
2/144

- D437,471 S \* 2/2001 Harris ..... D2/605
- D714,575 S \* 10/2014 Mah ..... D6/608
- D718,916 S \* 12/2014 Verde ..... D2/502
- D724,816 S \* 3/2015 Cristodero ..... D2/606
- 2006/0010569 A1\* 1/2006 Tawfik ..... A41D 23/00  
2/207
- 2007/0022518 A1\* 2/2007 Sheu ..... A41D 23/00  
2/207
- 2011/0191940 A1\* 8/2011 Johnson ..... A41D 23/00  
2/207

\* cited by examiner

*Primary Examiner* — Karen E. Eldridge Powers

*Assistant Examiner* — Jasmine Mlinarcik

(74) *Attorney, Agent, or Firm* — James L. Jackson

(57) **CLAIM**

The ornamental design for a scarf having adjustment openings, as shown and described.

**DESCRIPTION**

FIG. 1 is an isometric illustration showing the front surface portion of the scarf having adjustment openings of my new ornamental design;

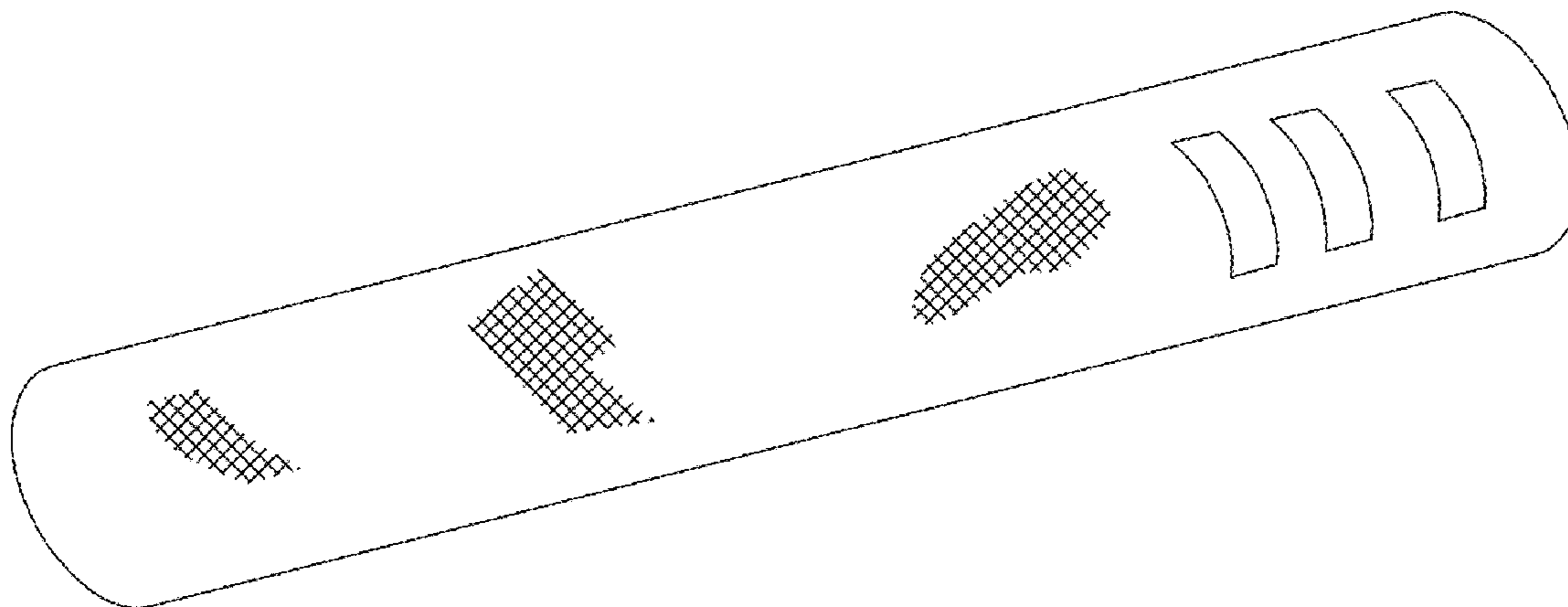
FIG. 2 is an isometric illustration showing the rear surface portion of the scarf having adjustment openings of my new ornamental design;

FIG. 3 is a front elevation view of the scarf having adjustment openings of my new ornamental design, the rear elevation view thereof being a mirror image of said front elevation view of FIG. 3;

FIG. 4 is a left side elevation view thereof; and,

FIG. 5 is a right side elevation view thereof.

**1 Claim, 1 Drawing Sheet**



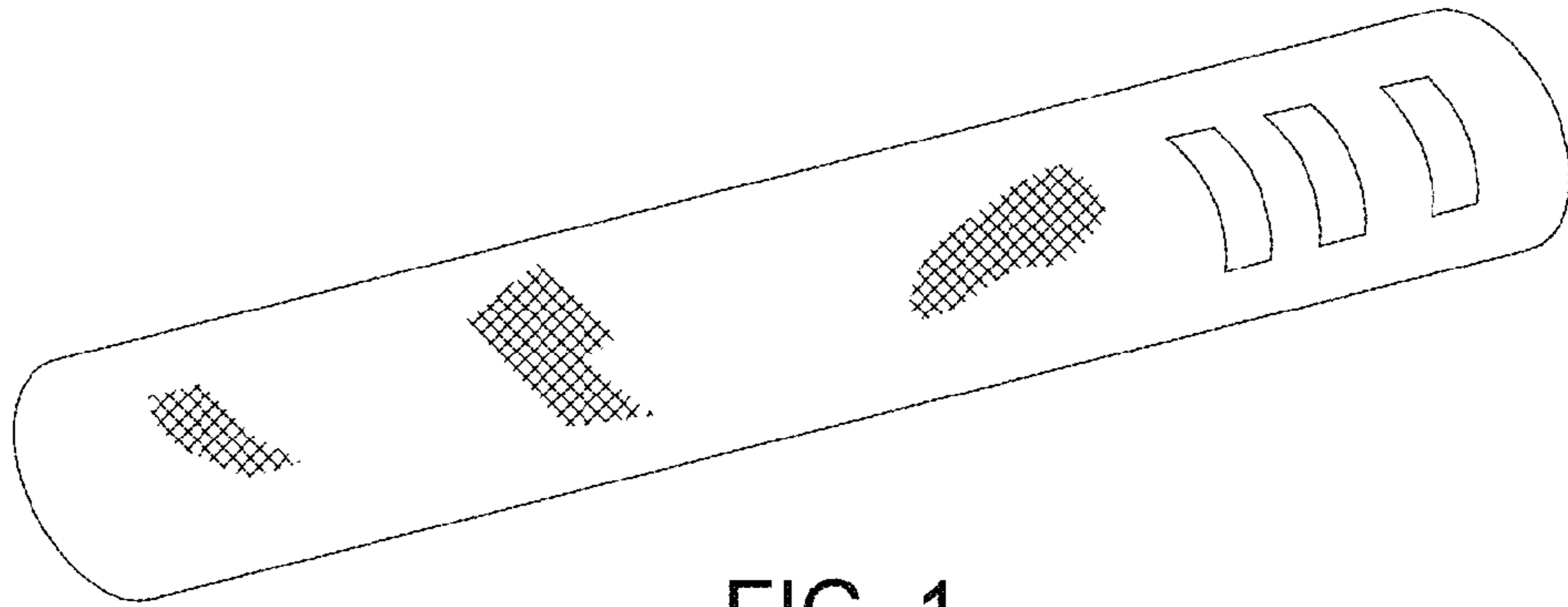


FIG. 1

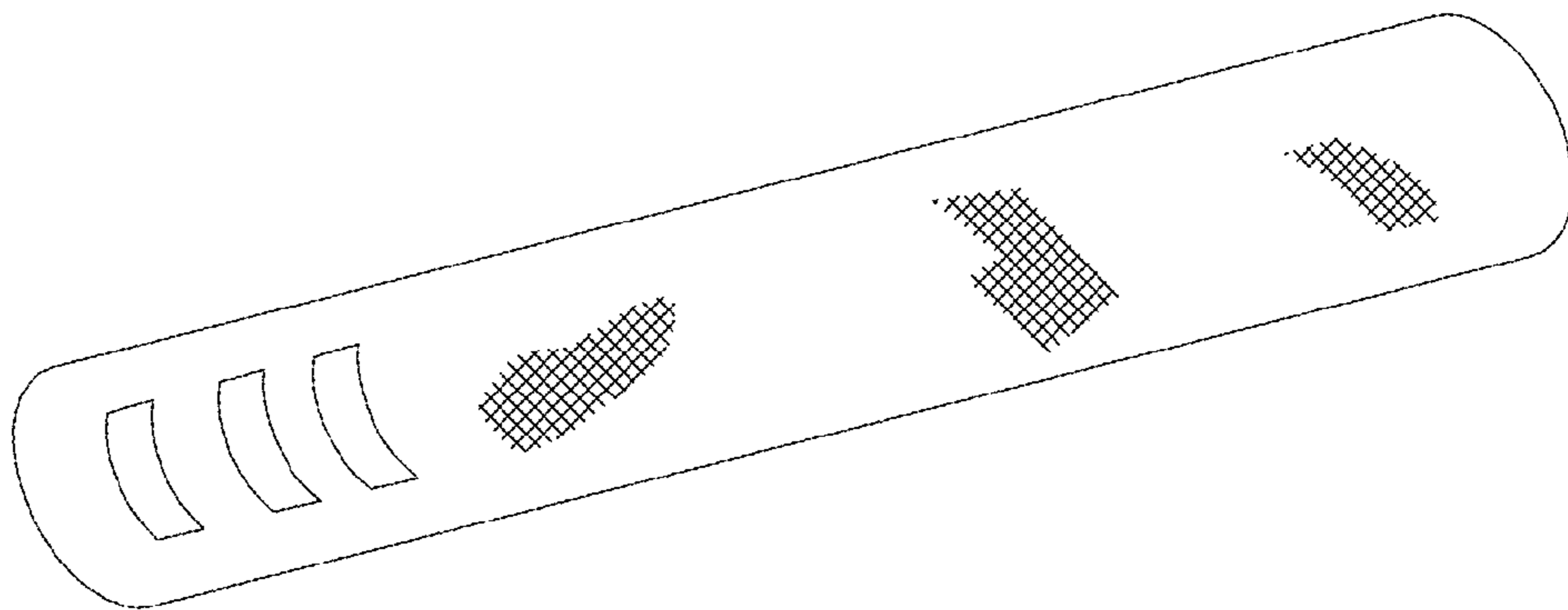


FIG. 2

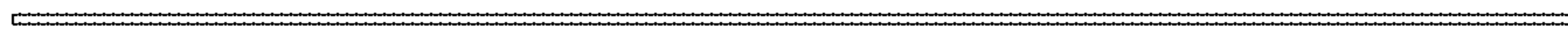


FIG. 3

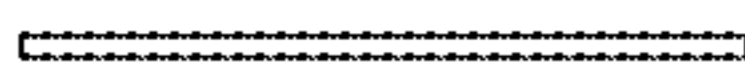


FIG. 4

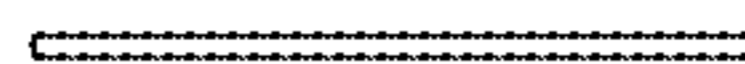


FIG. 5