



US00D749815S

(12) **United States Design Patent**
Lachenmeier et al.

(10) **Patent No.:** **US D749,815 S**
(45) **Date of Patent:** **** Feb. 16, 2016**

(54) **FOIL PACKAGING**

(71) Applicant: **Signode Industrial Group LLC**,
Glenview, IL (US)
(72) Inventors: **Per Lachenmeier**, Sonderborg (DK);
Alice Holm Kristensen, Sydals (DK)
(73) Assignee: **Signode Industrial Group LLC**,
Glenview, IL (US)

(**) Term: **14 Years**
(21) Appl. No.: **29/517,588**
(22) Filed: **Feb. 13, 2015**

Related U.S. Application Data

(62) Division of application No. 29/431,944, filed on Sep. 12, 2012, now Pat. No. Des. 726,388.

(30) **Foreign Application Priority Data**

Mar. 13, 2012 (EM) 002007302-0001
Mar. 13, 2012 (EM) 002007302-0002

(51) **LOC (10) Cl.** **09-08**

(52) **U.S. Cl.**
USPC **D34/38**

(58) **Field of Classification Search**
USPC D34/38, 35; 108/21.11, 52.1, 56.1, 901,
108/53.1, 55.1, 57.1, 55.5; 410/96, 97, 34,
410/35, 99; 53/399, 461

See application file for complete search history.

(56) **References Cited**

U.S. PATENT DOCUMENTS

D258,817 S * 4/1981 Sundman D34/38
6,821,068 B2 * 11/2004 Facey B60P 7/0838
108/55.1
D693,982 S * 11/2013 Lachenmeier D34/38
D726,388 S * 4/2015 Lachenmeier D34/38

* cited by examiner

Primary Examiner — Cynthia Ramirez

(74) *Attorney, Agent, or Firm* — Neal, Gerber & Eisenberg
LLP

(57) **CLAIM**

The ornamental design for a foil packaging, as shown and described.

DESCRIPTION

FIG. 1 is a top-front-right perspective view of a foil packaging of our new design;

FIG. 2 is a front view thereof;

FIG. 3 is a back view thereof;

FIG. 4 is a left side view thereof;

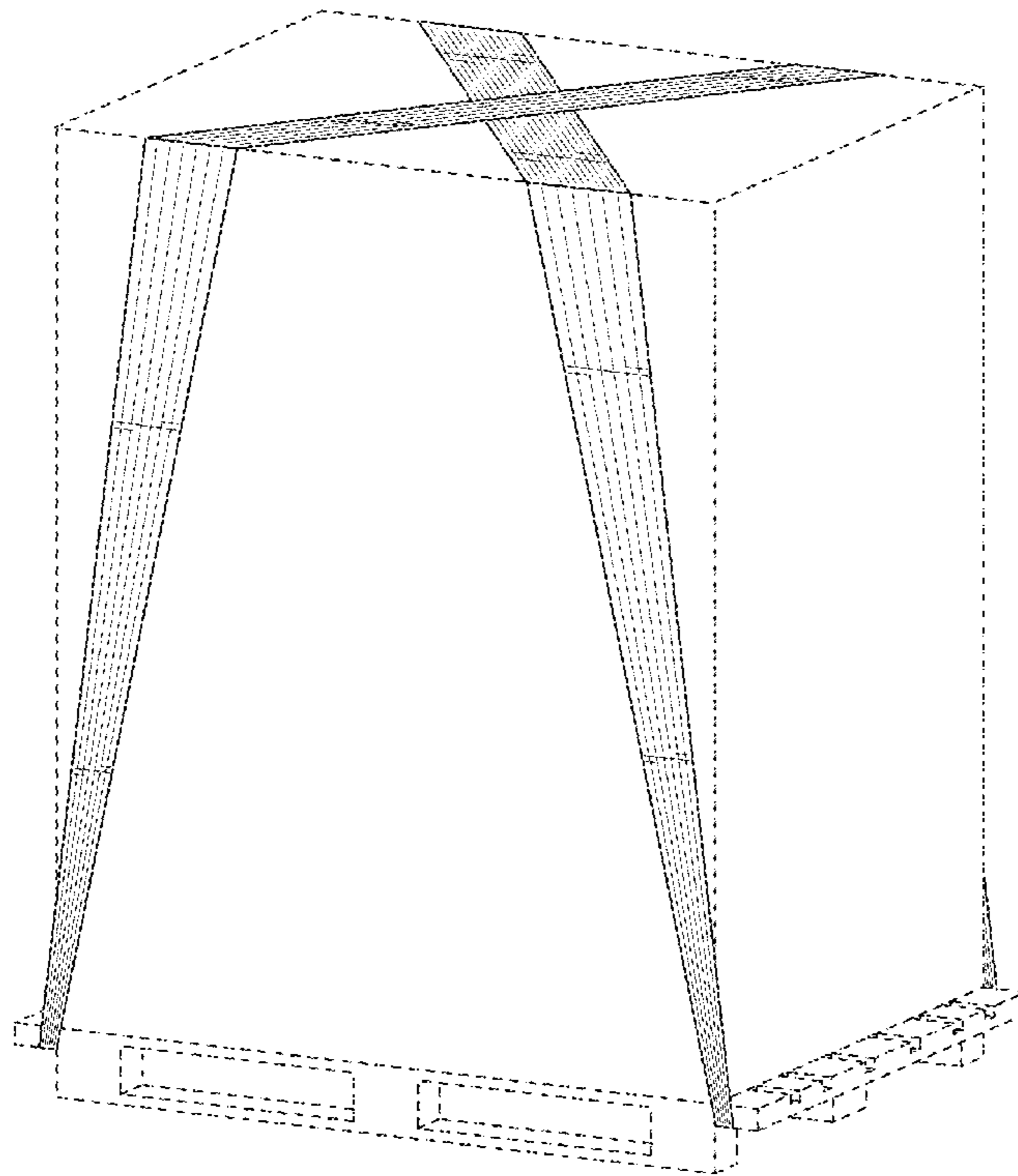
FIG. 5 is a right side view thereof;

FIG. 6 is a top view thereof; and,

FIG. 7 is a bottom view thereof.

The broken lines shown in the figures are included for the purpose of illustrating environment and form no part of the claimed design.

1 Claim, 7 Drawing Sheets



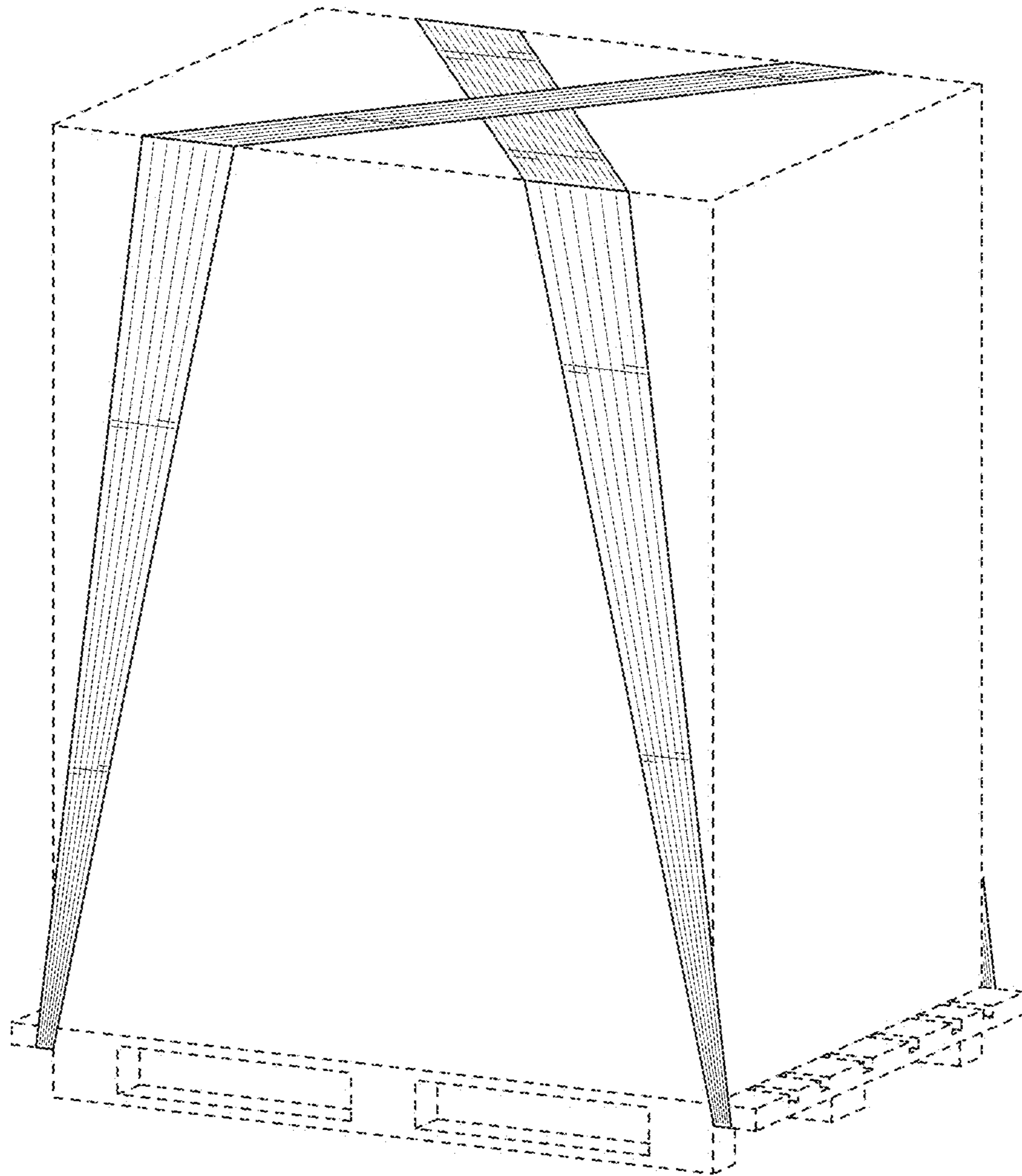


FIG. 1

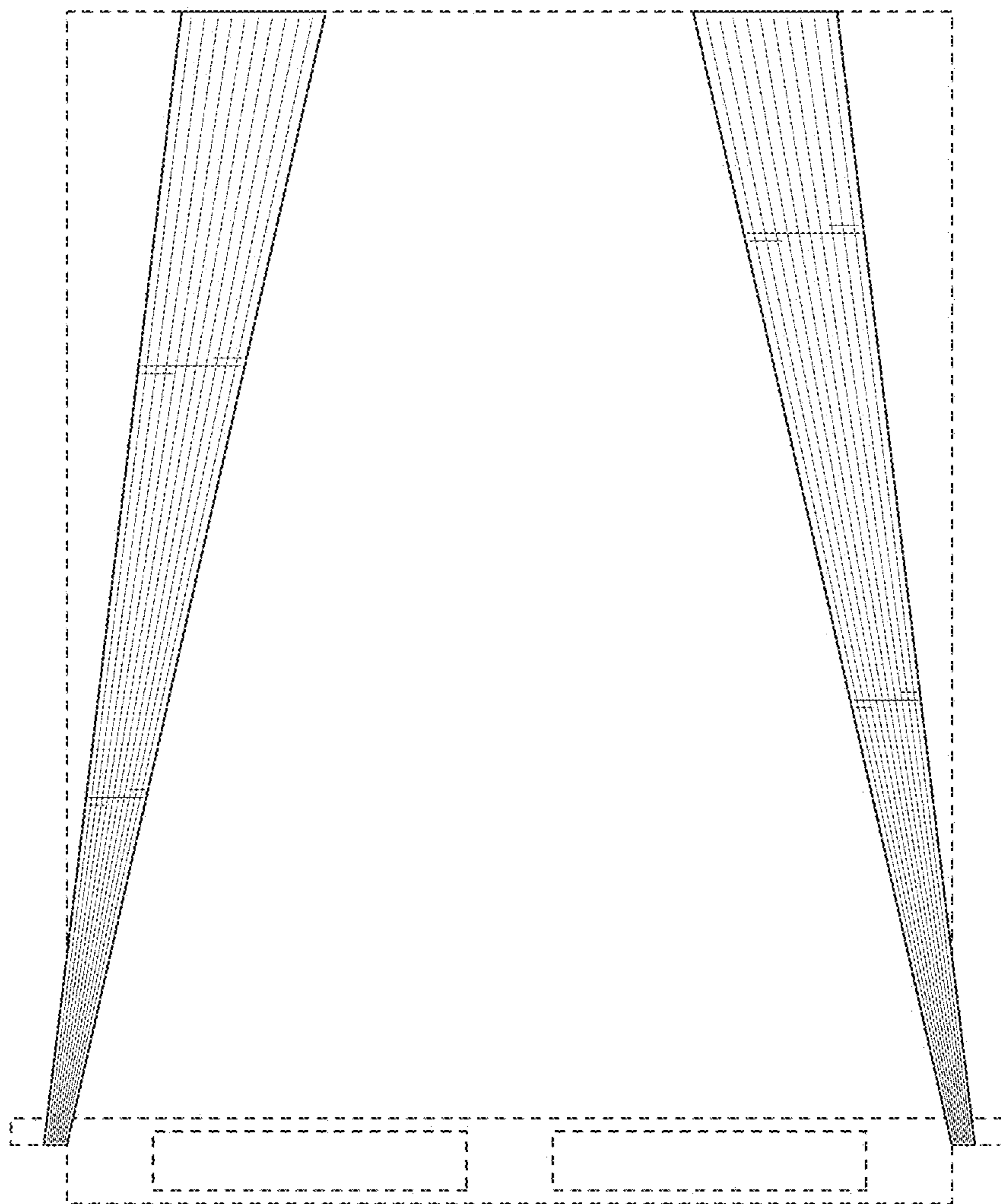


FIG. 2

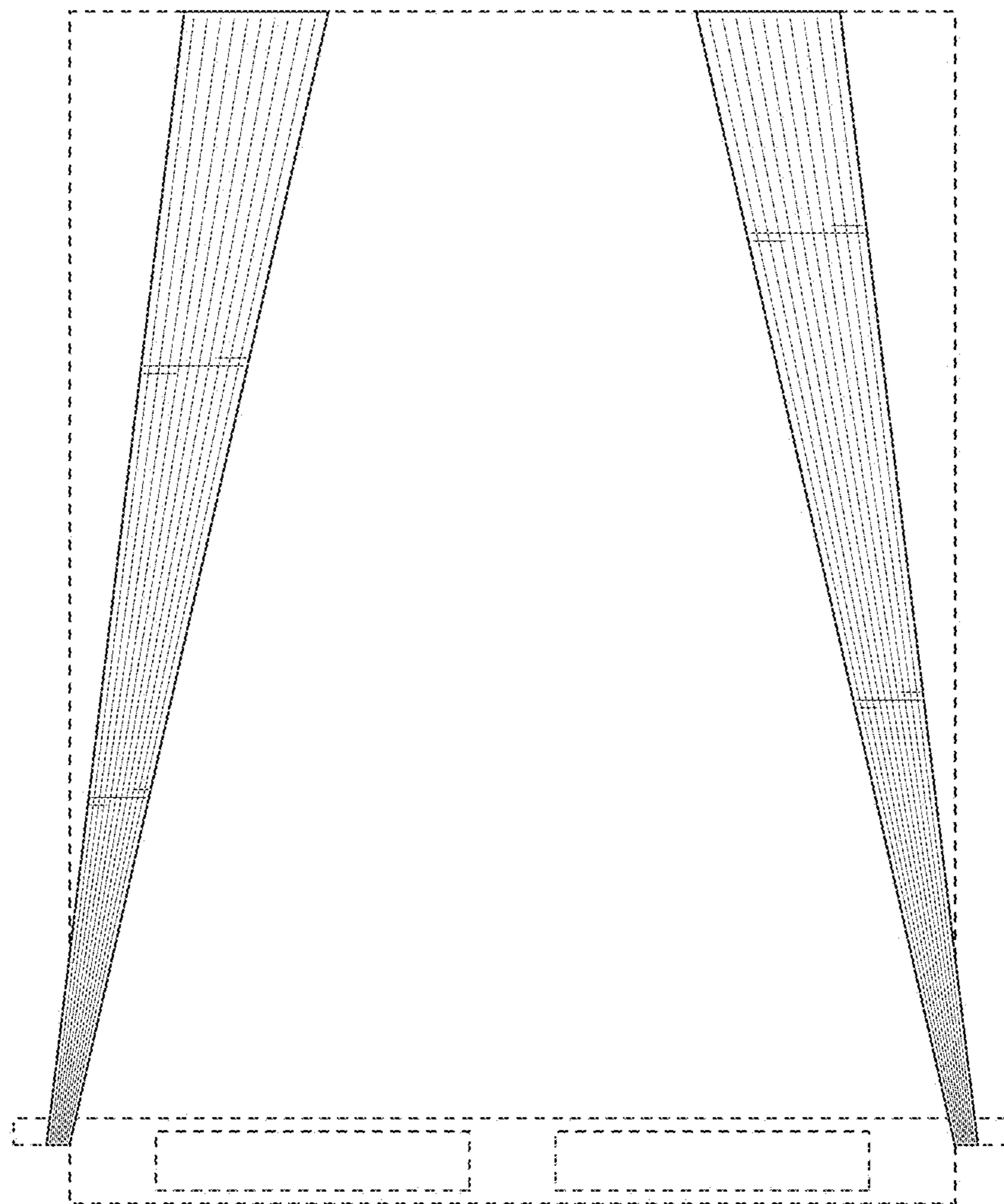


FIG. 3

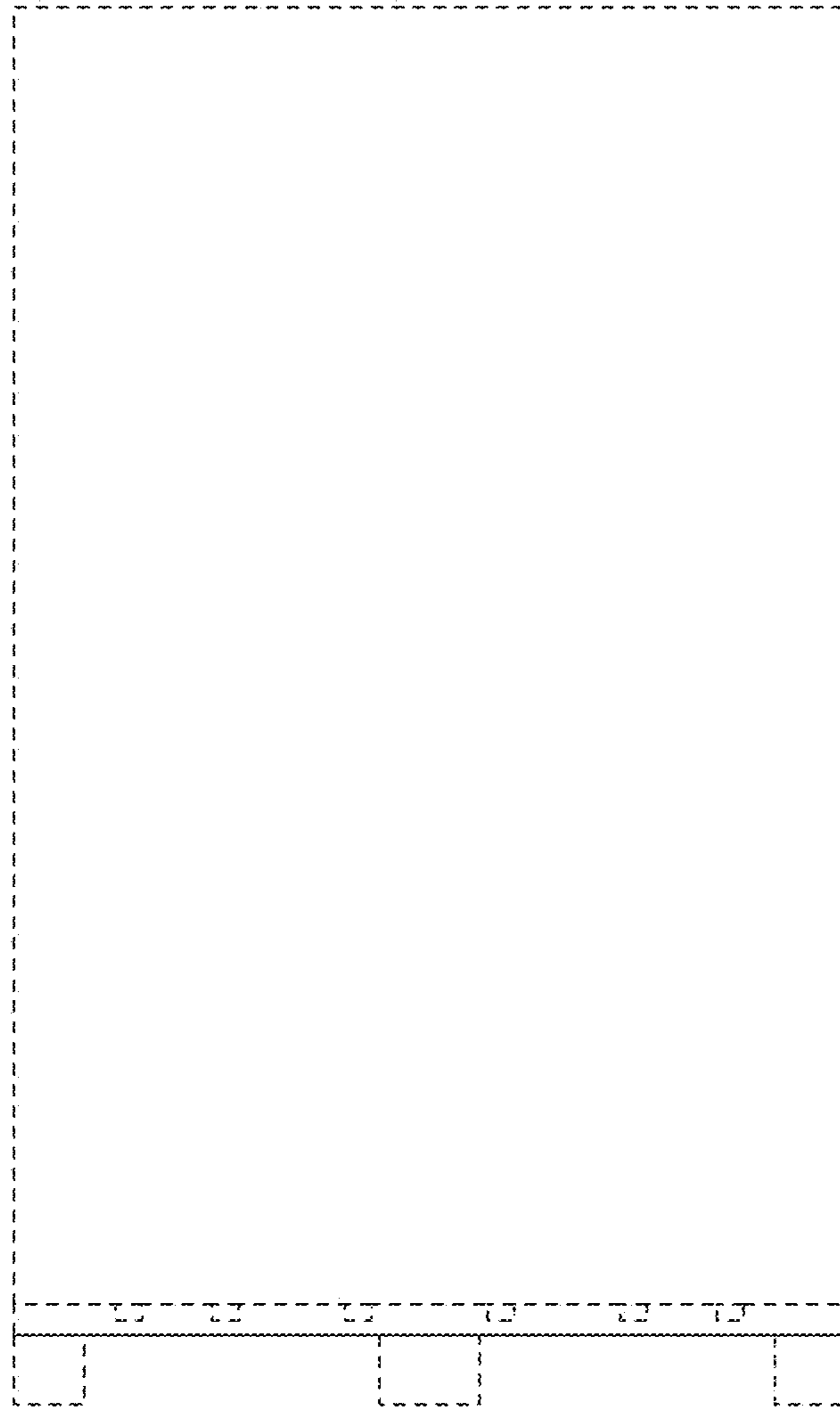


FIG. 4

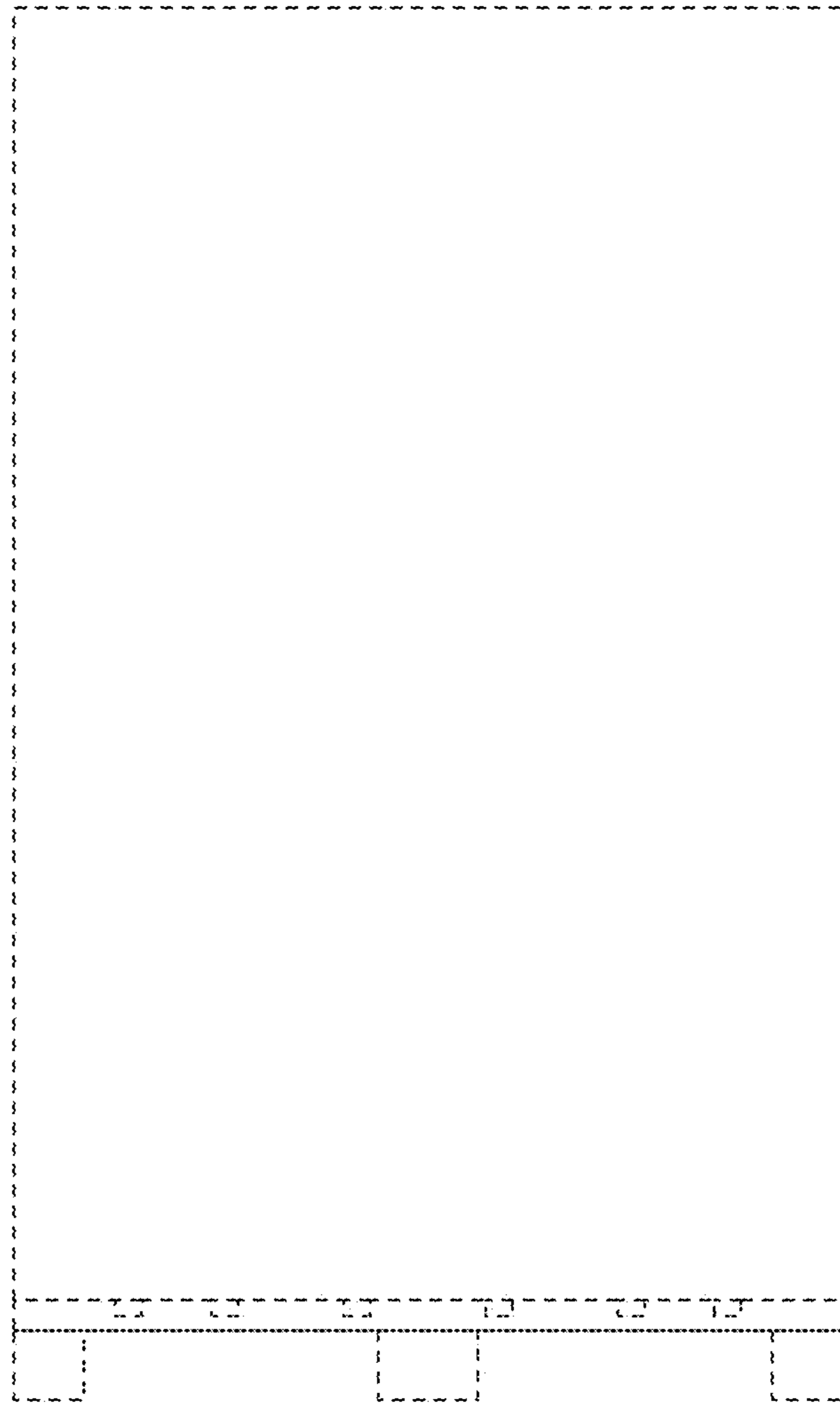


FIG. 5

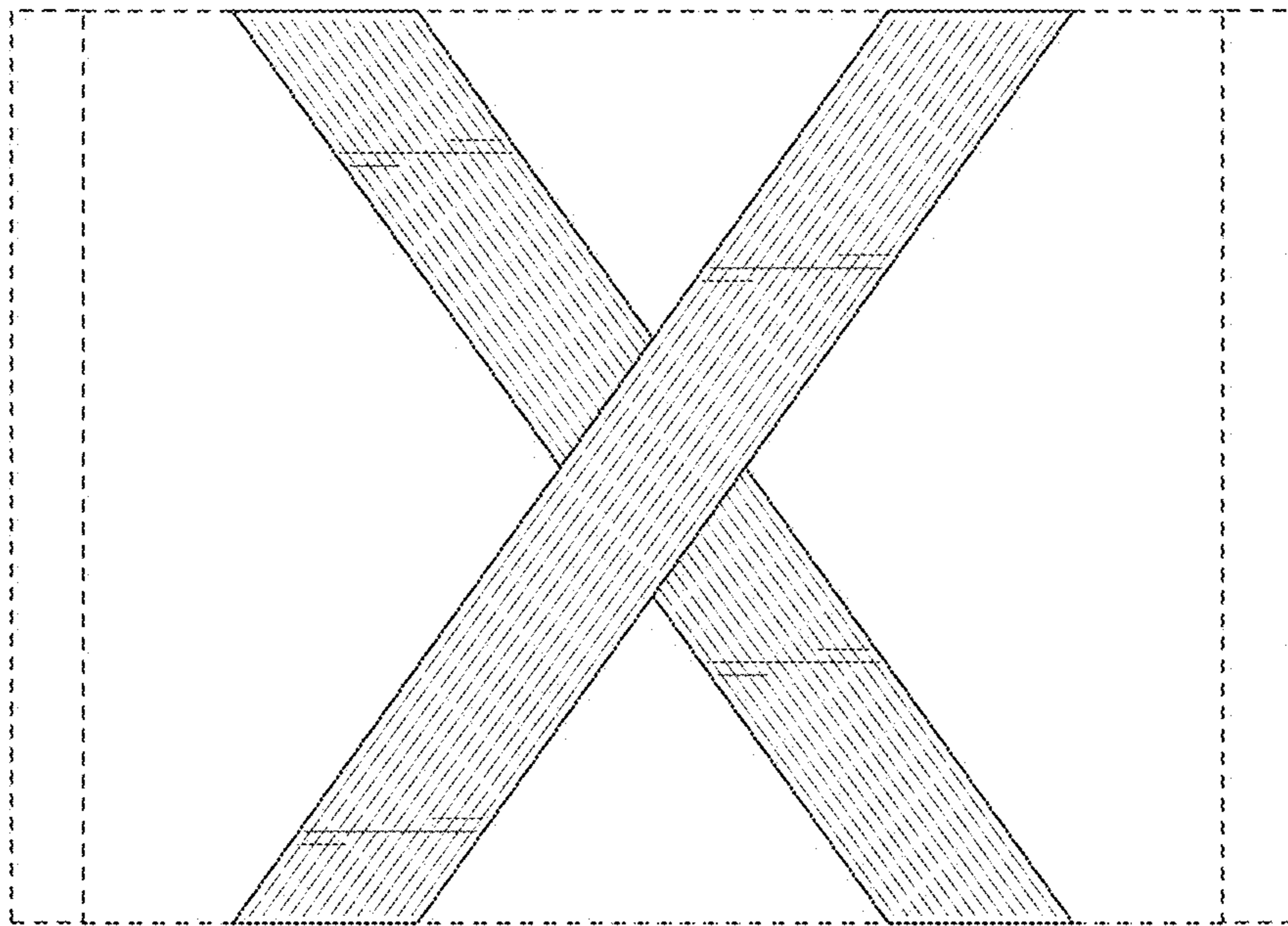


FIG. 6

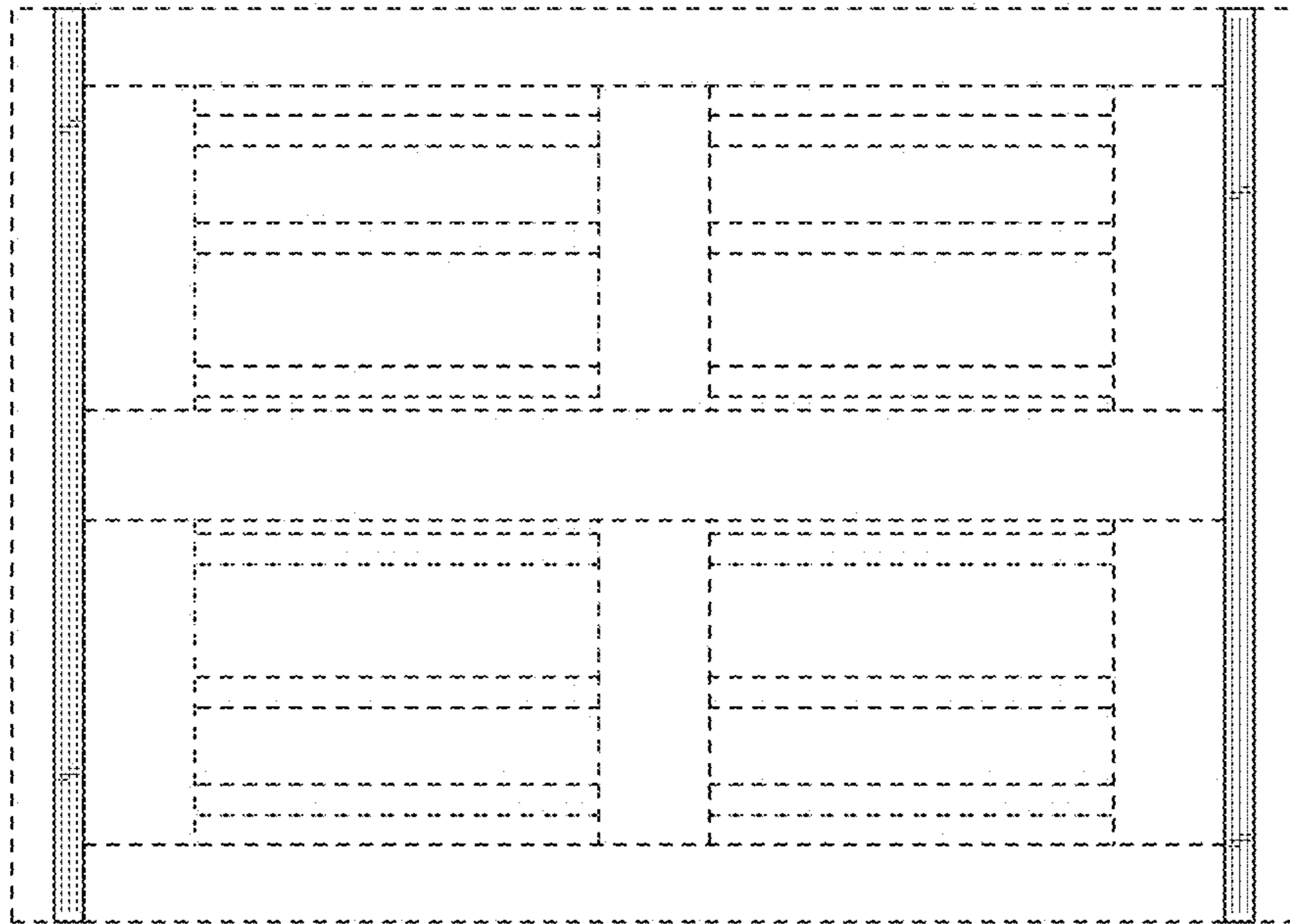


FIG. 7