



US00D749814S

(12) **United States Design Patent**
Hurren

(10) **Patent No.:** **US D749,814 S**
(45) **Date of Patent:** **** Feb. 16, 2016**

(54) **APPARATUS FOR PULLING AND LIFTING WIRE MESH**

(71) Applicant: **Charles Hurren**, Caseville, MI (US)

(72) Inventor: **Charles Hurren**, Caseville, MI (US)

(**) Term: **14 Years**

(21) Appl. No.: **29/514,109**

(22) Filed: **Jan. 8, 2015**

4,456,225	A	6/1984	Lucas	
D297,579	S *	9/1988	Bateham	D34/15
D311,079	S *	10/1990	Blake	D34/15
D340,788	S *	10/1993	Lowenstein	D34/24
5,501,496	A	3/1996	Ramos	
7,070,168	B2	7/2006	Plummer	
D589,224	S *	3/2009	Kilpatrick	D34/28
D635,320	S *	3/2011	Paoletto	D34/26
8,016,267	B2	9/2011	Jordan et al.	
8,550,476	B1 *	10/2013	Whinnery	B62B 1/12 280/47.18
D733,387	S *	6/2015	Sopuch	D34/26
2012/0174525	A1 *	7/2012	Hinshaw	B25F 5/00 52/741.1

Related U.S. Application Data

(63) Continuation of application No. 13/592,491, filed on Aug. 23, 2012, now abandoned.

(51) **LOC (10) Cl.** **12-05**

(52) **U.S. Cl.**
USPC **D34/28; D34/26**

(58) **Field of Classification Search**
USPC D34/28, 26; 254/199, 209, 243, 263;
280/47.13, 47.17, 47.18, 47.19, 47.24,
280/47.27; 52/749.1, 749.13
CPC E04F 21/00; E04F 21/1855; E04F 21/22;
B62B 1/12; B62B 1/14; B62B 1/16; B62B
13/025

See application file for complete search history.

(56) **References Cited**

U.S. PATENT DOCUMENTS

3,072,382	A	1/1963	Jones	
D200,424	S *	2/1965	Bayless	D34/17
D231,440	S *	4/1974	Richardson	D12/106
D241,925	S *	10/1976	Adams	D34/26
4,077,731	A *	3/1978	Holz, Sr.	E01C 23/00 15/78

* cited by examiner

Primary Examiner — Cynthia Ramirez

(74) *Attorney, Agent, or Firm* — Robert C. Montgomery;
Montgomery Patent & Design, LP.

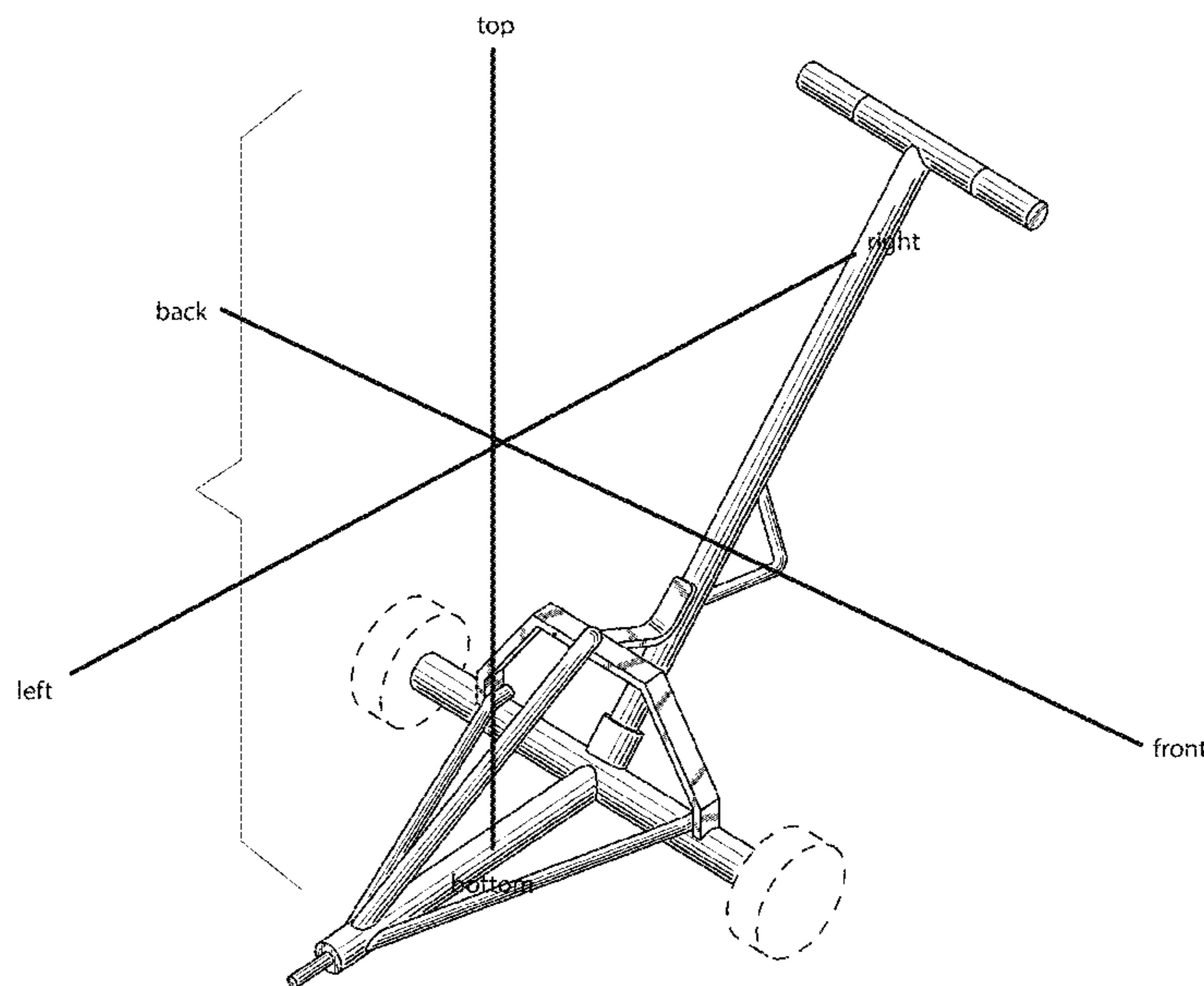
(57) **CLAIM**

The ornamental design for an apparatus for pulling and lifting wire mesh, as shown and described.

DESCRIPTION

FIG. 1 is a perspective front view of the apparatus for pulling and lifting wire mesh, showing my new design;
FIG. 2 is a perspective back view thereof;
FIG. 3 is a front view thereof;
FIG. 4 is a rear view thereof;
FIG. 5 is a left side view with the right side view being a mirror image thereof;
FIG. 6 is a top side view thereof; and,
FIG. 7 is a bottom side view thereof.
The broken line showing of wheels is included for the purpose of illustrating environment and forms no part of the claimed design.

1 Claim, 7 Drawing Sheets



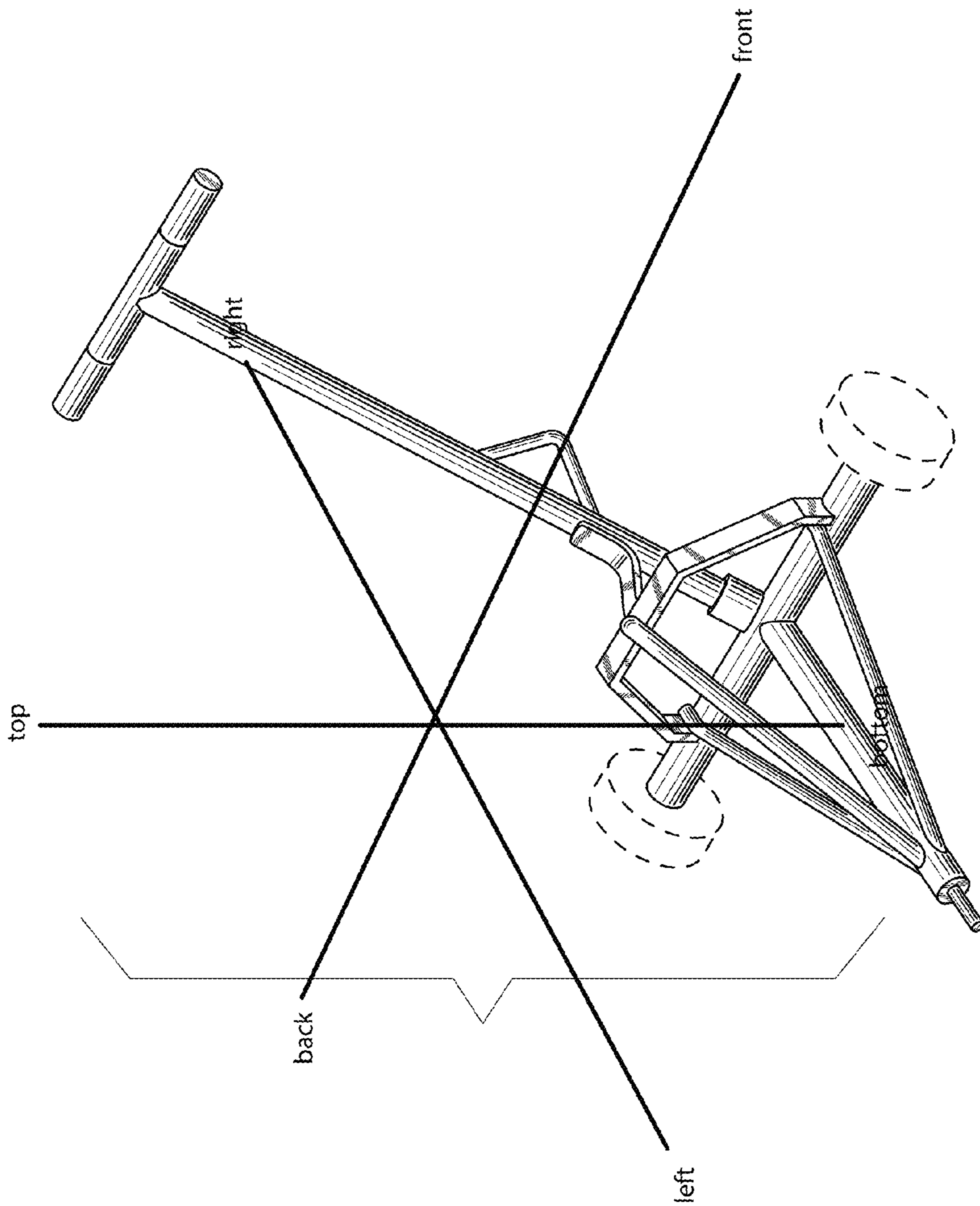


Fig. 1

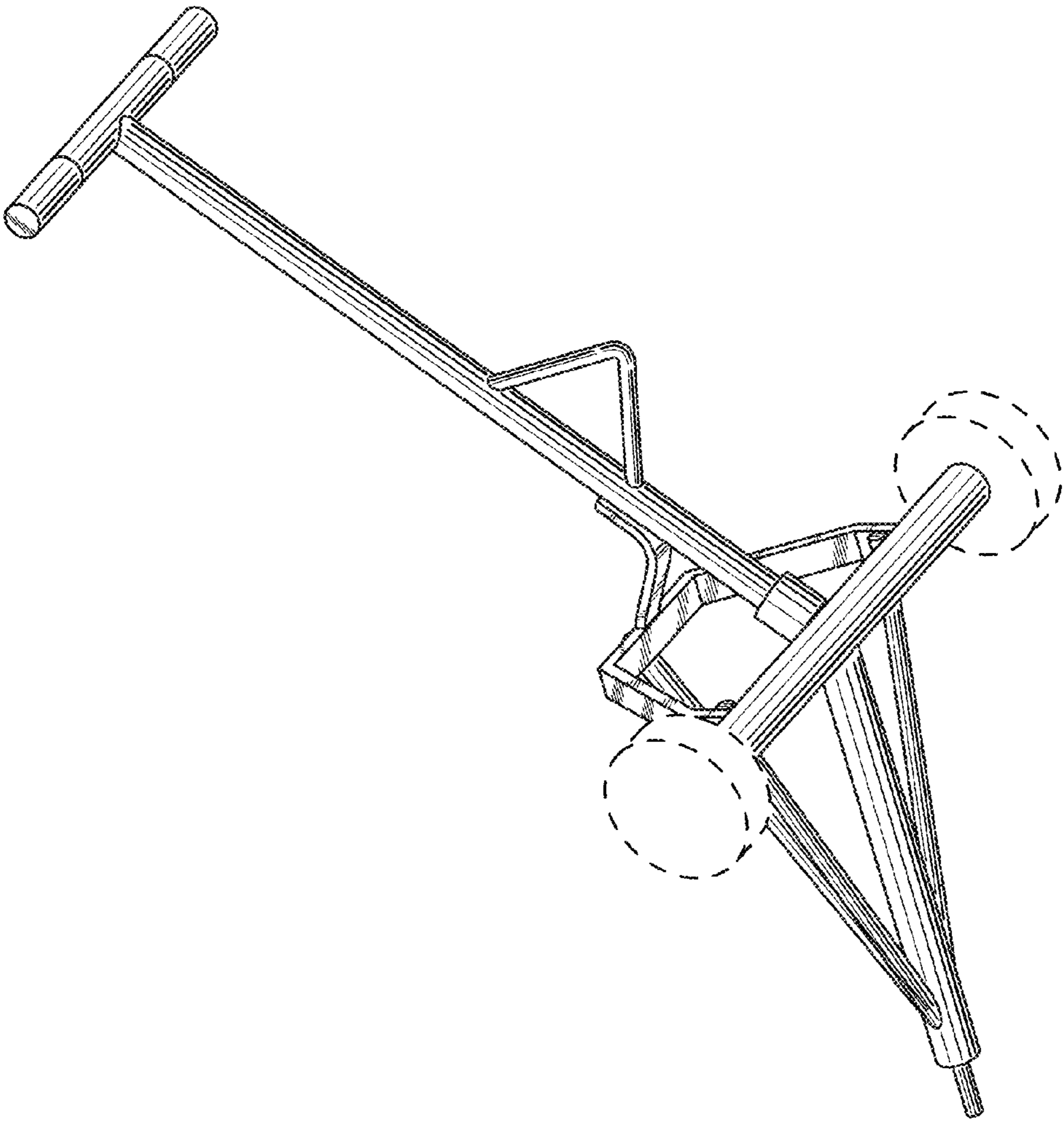


Fig. 2

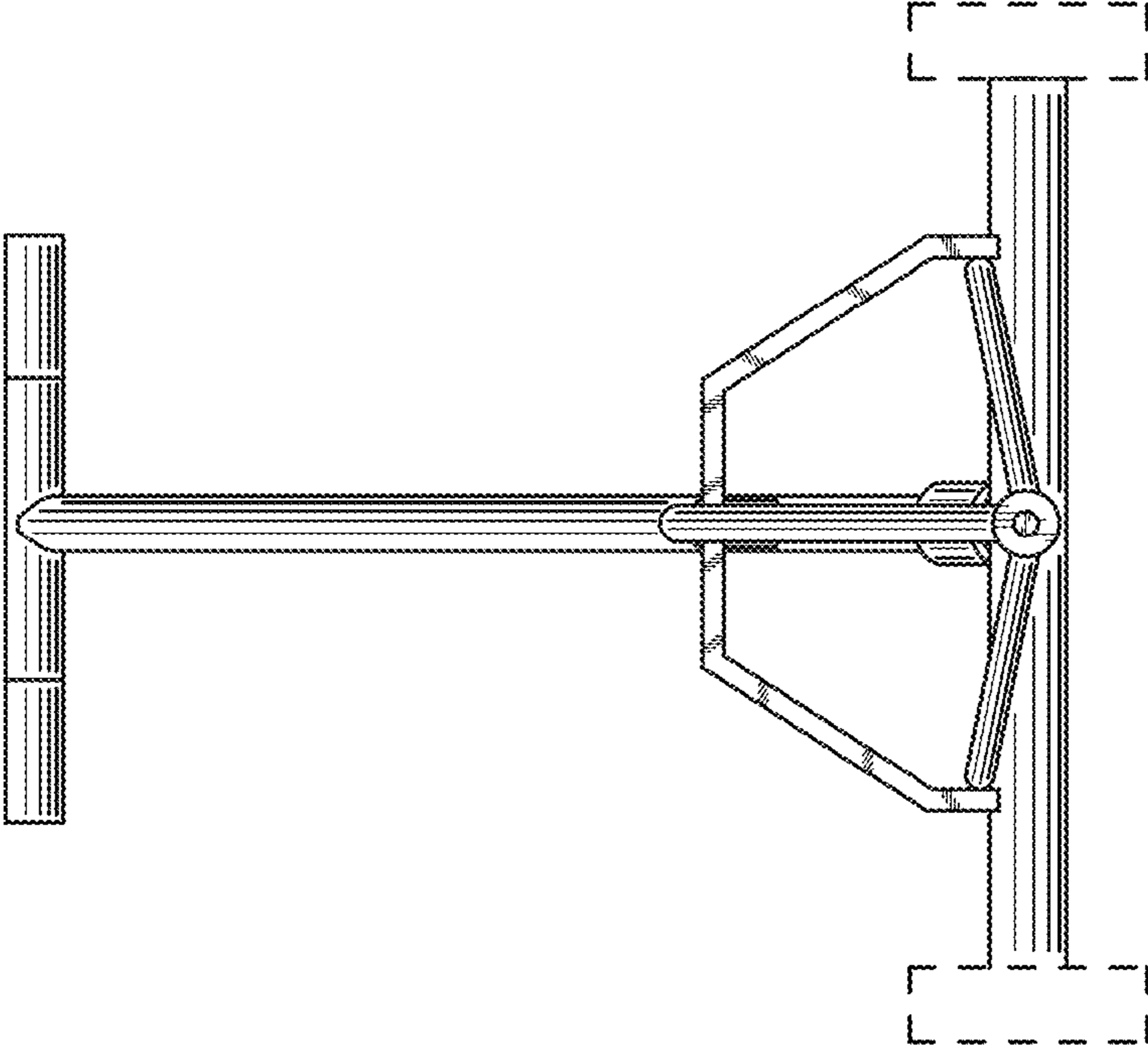


Fig. 3

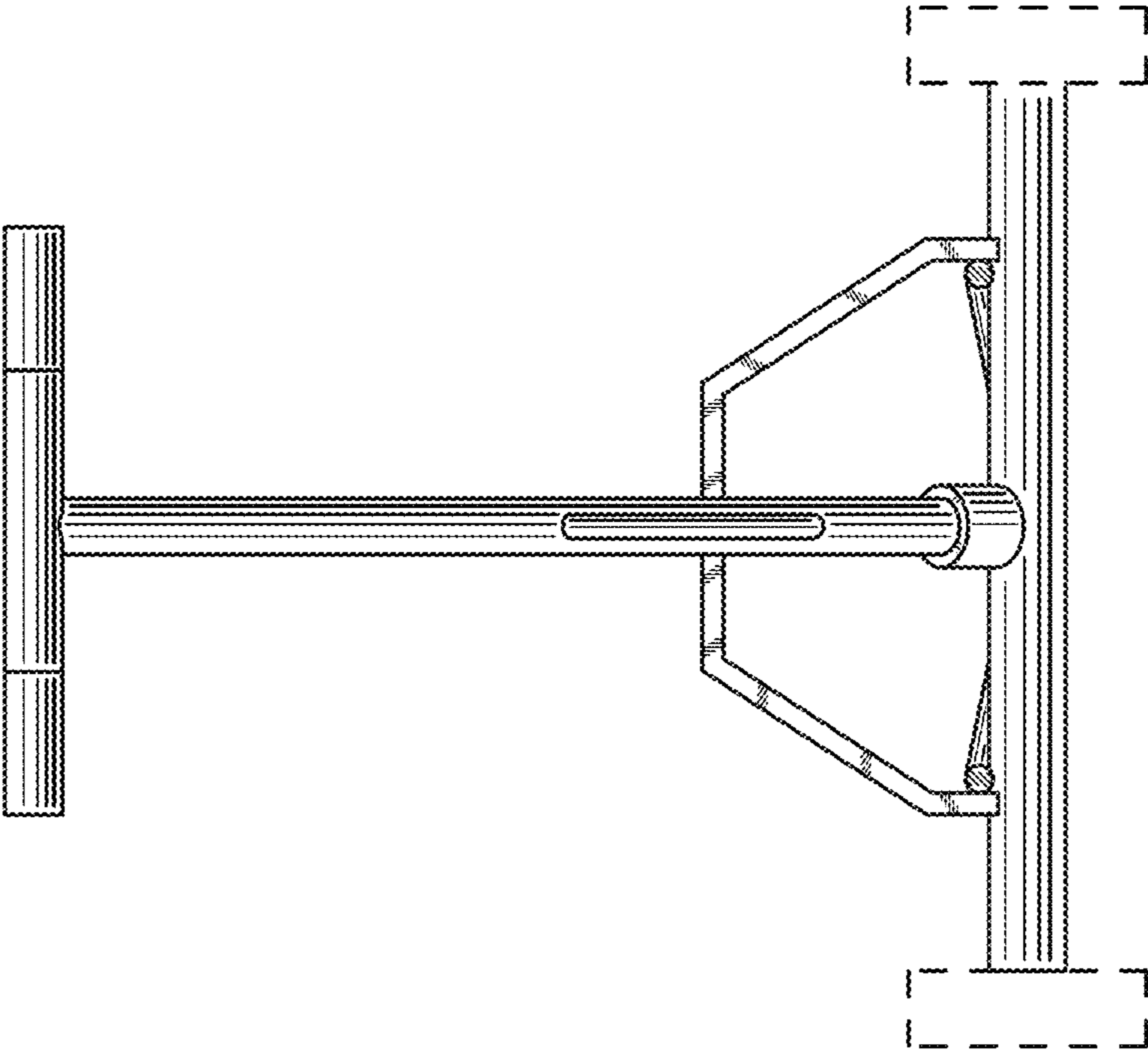


Fig. 4

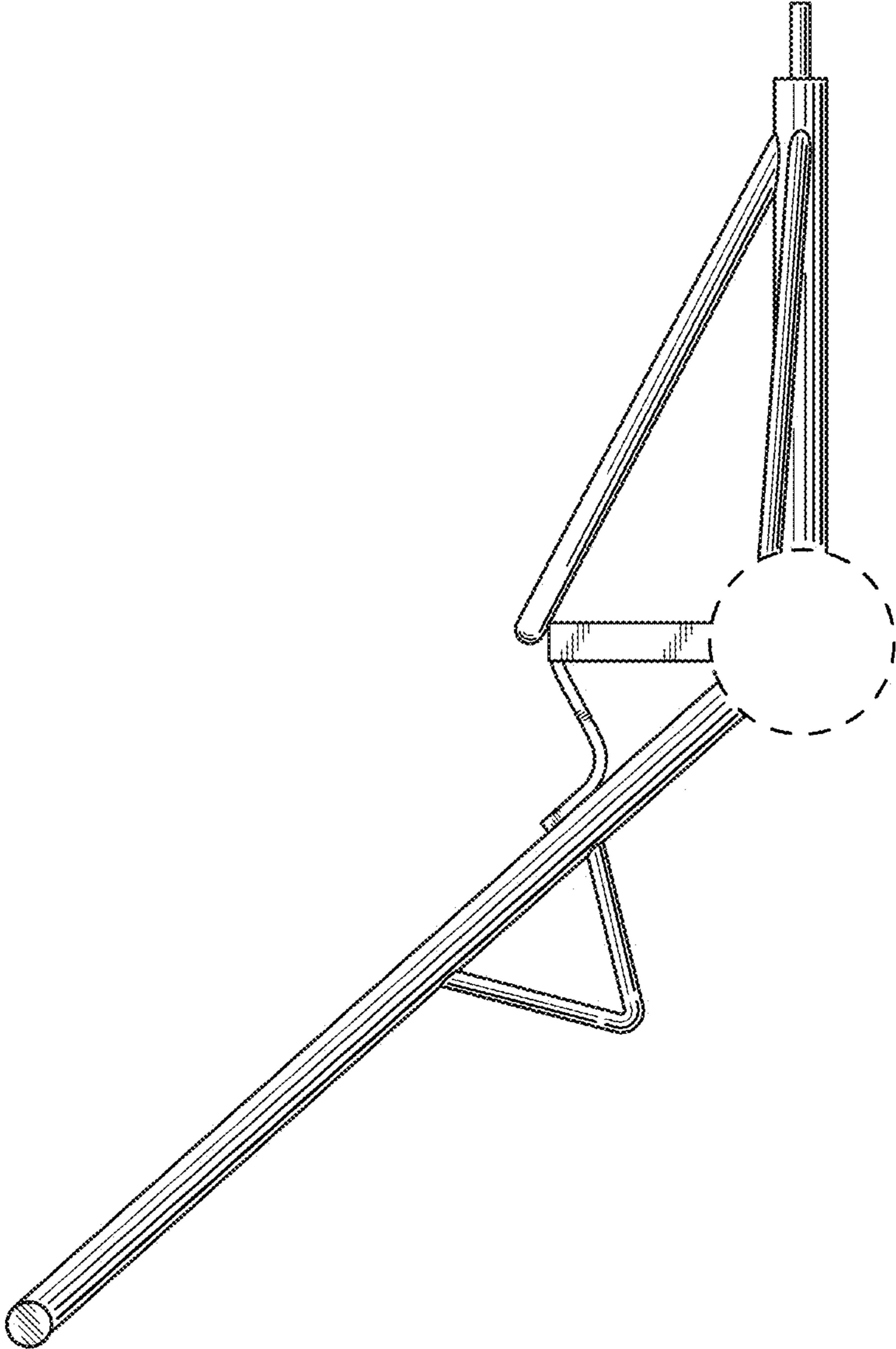


Fig. 5

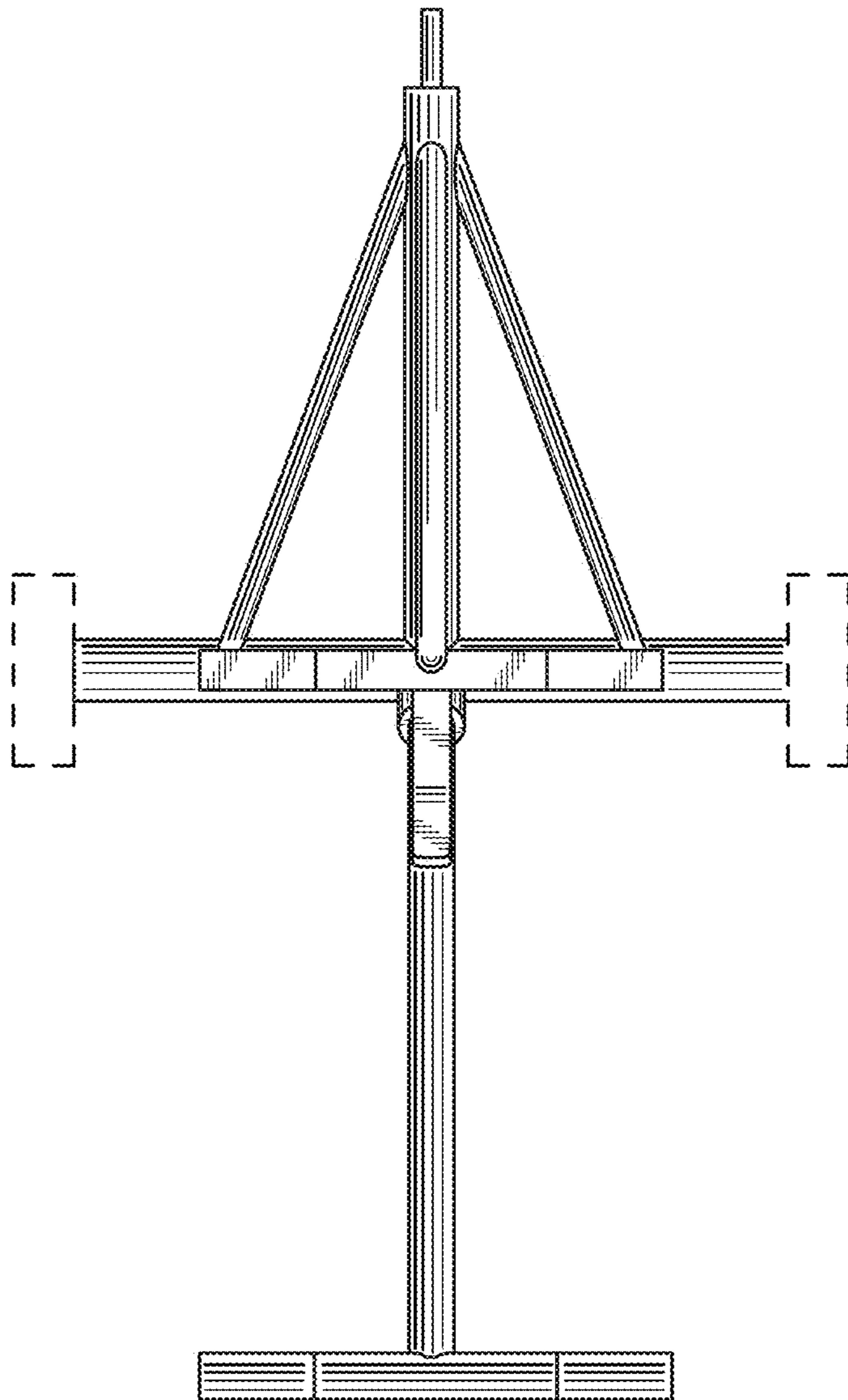


Fig. 6

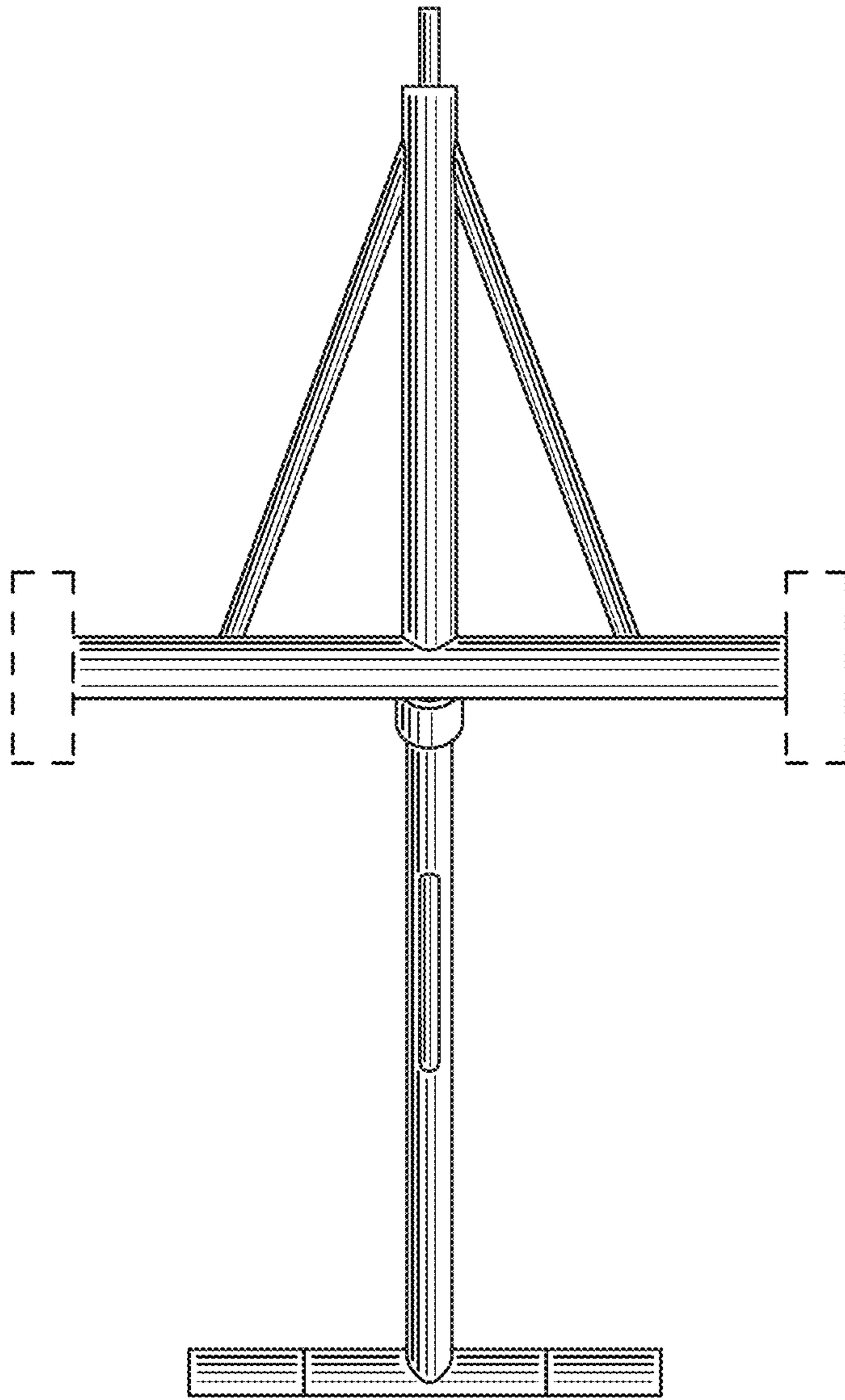


Fig. 7