



US00D749812S

(12) **United States Design Patent**
Gibson

(10) **Patent No.:** **US D749,812 S**
(45) **Date of Patent:** **** Feb. 16, 2016**

(54) **HAND TRUCK**

FOREIGN PATENT DOCUMENTS

(71) Applicant: **Ameriwood Industries, Inc.**, Wright City, MO (US)

DE 6751061 U 1/1969

(72) Inventor: **William R Gibson**, Kent, OH (US)

OTHER PUBLICATIONS

(73) Assignee: **Ameriwood Industries, Inc.**, Wright City, MO (US)

International Search Report and Written Opinion, International Application No. PCT/US2014/046490, Nov. 6, 2014, 8 pages.

(**) Term: **14 Years**

Primary Examiner — Cynthia Ramirez

Assistant Examiner — Gino Colan

(21) Appl. No.: **29/504,122**

(74) *Attorney, Agent, or Firm* — Barnes & Thornburg LLP

(22) Filed: **Oct. 2, 2014**

(57) **CLAIM**

(51) **LOC (10) Cl.** **12-02**

The ornamental design for a hand truck, as shown and described.

(52) **U.S. Cl.**

USPC **D34/26**

(58) **Field of Classification Search**

USPC D34/12-27; 280/5.32, 47.12, 47.2, 280/47.315, 40, 35, 38, 47.17, 47.18, 47.24, 280/47.27, 47.29, 42, 63, 65, 5, 638, 641, 280/645, 646, 651, 652, 654, 39

CPC B62B 3/02; B62B 2205/003; B62B 3/027; B62B 1/12; B62B 5/00; B62B 1/208

See application file for complete search history.

DESCRIPTION

FIG. 1 is a perspective view of a hand truck in a use position showing my new design;
FIG. 2 is a top plan view thereof;
FIG. 3 is a bottom plan view thereof;
FIG. 4 is a right elevation view thereof; the left elevation view being a mirror image thereof;
FIG. 5 is a front elevation view thereof;
FIG. 6 is a rear elevation view thereof;
FIG. 7 is a perspective view of the hand truck of FIG. 1 in a collapsed storage position showing my new design;
FIG. 8 is a top plan view thereof;
FIG. 9 is a bottom plan view thereof;
FIG. 10 is a right elevation view thereof; the left elevation view being a mirror image thereof;
FIG. 11 is a front elevation view thereof; and,
FIG. 12 is a rear elevation view thereof.
The broken lines in the drawings are included for the purpose of illustrating elements of the hand truck and form no part of the claimed design.

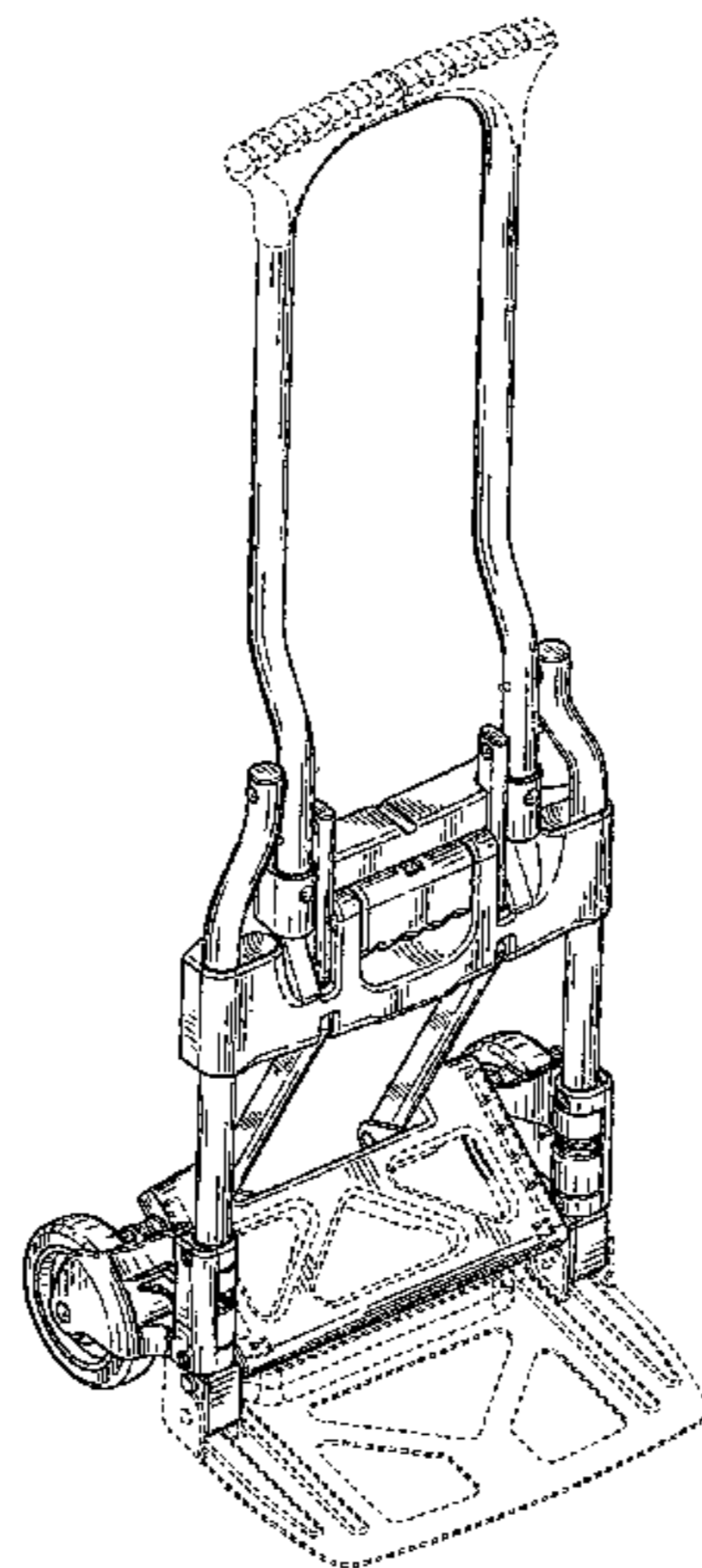
(56) **References Cited**

U.S. PATENT DOCUMENTS

2,363,619	A	11/1944	Prieto
2,598,168	A	5/1947	Hooz et al.
2,786,692	A	8/1954	Timpson
3,785,669	A	1/1974	Doheny
3,873,118	A	3/1975	Takagi
4,227,709	A	10/1980	Gradwohl et al.
4,358,124	A	11/1982	Geschwender
4,561,674	A	12/1985	Alessio
4,659,096	A	4/1987	Leimgruber
4,681,330	A	7/1987	Misawa
4,921,270	A	5/1990	Schoberg
5,207,439	A	5/1993	Mortenson
5,476,282	A	12/1995	Dahl

(Continued)

1 Claim, 10 Drawing Sheets



(56)

References Cited

U.S. PATENT DOCUMENTS

5,536,034 A	7/1996	Miller	6,953,514 B2	10/2005	Su	
5,709,400 A	1/1998	Bonnier et al.	7,168,712 B2	1/2007	Celli	
5,779,251 A	7/1998	Meier	7,387,306 B2 *	6/2008	Zimmer	B62B 1/125 280/40
5,810,373 A	9/1998	Miranda	7,600,765 B2	10/2009	Tsai	
D411,679 S *	6/1999	Hsieh	7,784,816 B2	8/2010	Jian et al.	
5,984,327 A *	11/1999	Hsieh	7,819,409 B2	10/2010	Chang	
			8,091,916 B2	1/2012	Shapiro	
			D664,733 S *	7/2012	Yang	D34/24
			D677,034 S *	2/2013	Chang	D34/24
			8,465,046 B2	6/2013	Meyers et al.	
			D713,113 S *	9/2014	Hsieh	D34/27
6,053,515 A	4/2000	Kelley	9,096,249 B2 *	8/2015	Gibson	B62B 3/022
6,273,438 B1	8/2001	Prapavat	2003/0075887 A1	4/2003	Malone, Jr.	
6,308,967 B1	10/2001	Stallbaumer et al.	2004/0256818 A1	12/2004	Amsili	
6,328,319 B1	12/2001	Stahler, Sr.	2005/0127625 A1 *	6/2005	Zimmer	B62B 1/125 280/47.27
6,364,328 B1	4/2002	Stahler, Sr.	2014/0265191 A1 *	9/2014	Tseng	B62B 1/145 280/47.27
6,419,244 B2	7/2002	Meabon	2015/0014965 A1	1/2015	Gibson	
D466,267 S *	11/2002	Lee	2015/0203136 A1 *	7/2015	Wang	B62B 1/02 280/47.29
D468,882 S *	1/2003	Hsieh				
RE38,436 E *	2/2004	Su				
6,880,835 B2	4/2005	Tornabene et al.				
6,945,545 B2	9/2005	Celli				

* cited by examiner

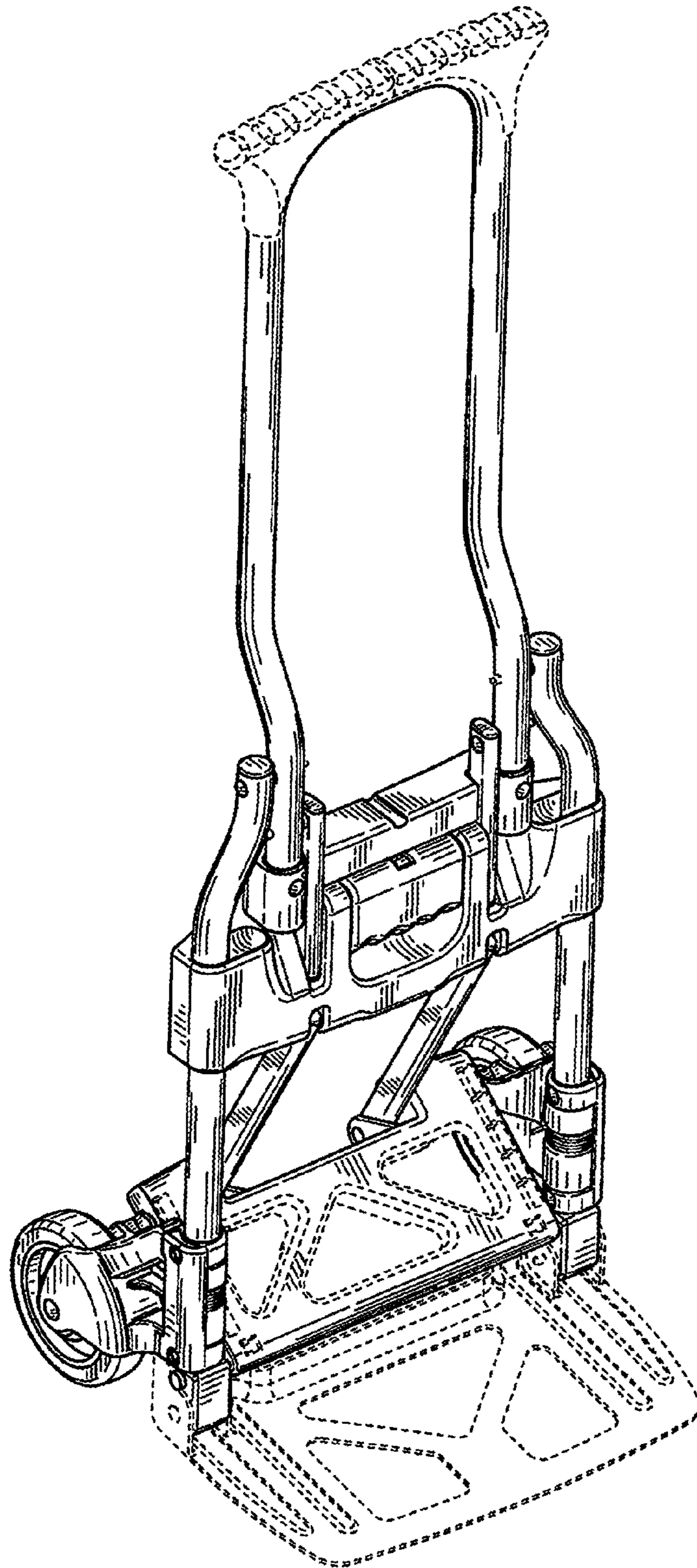


FIG. 1

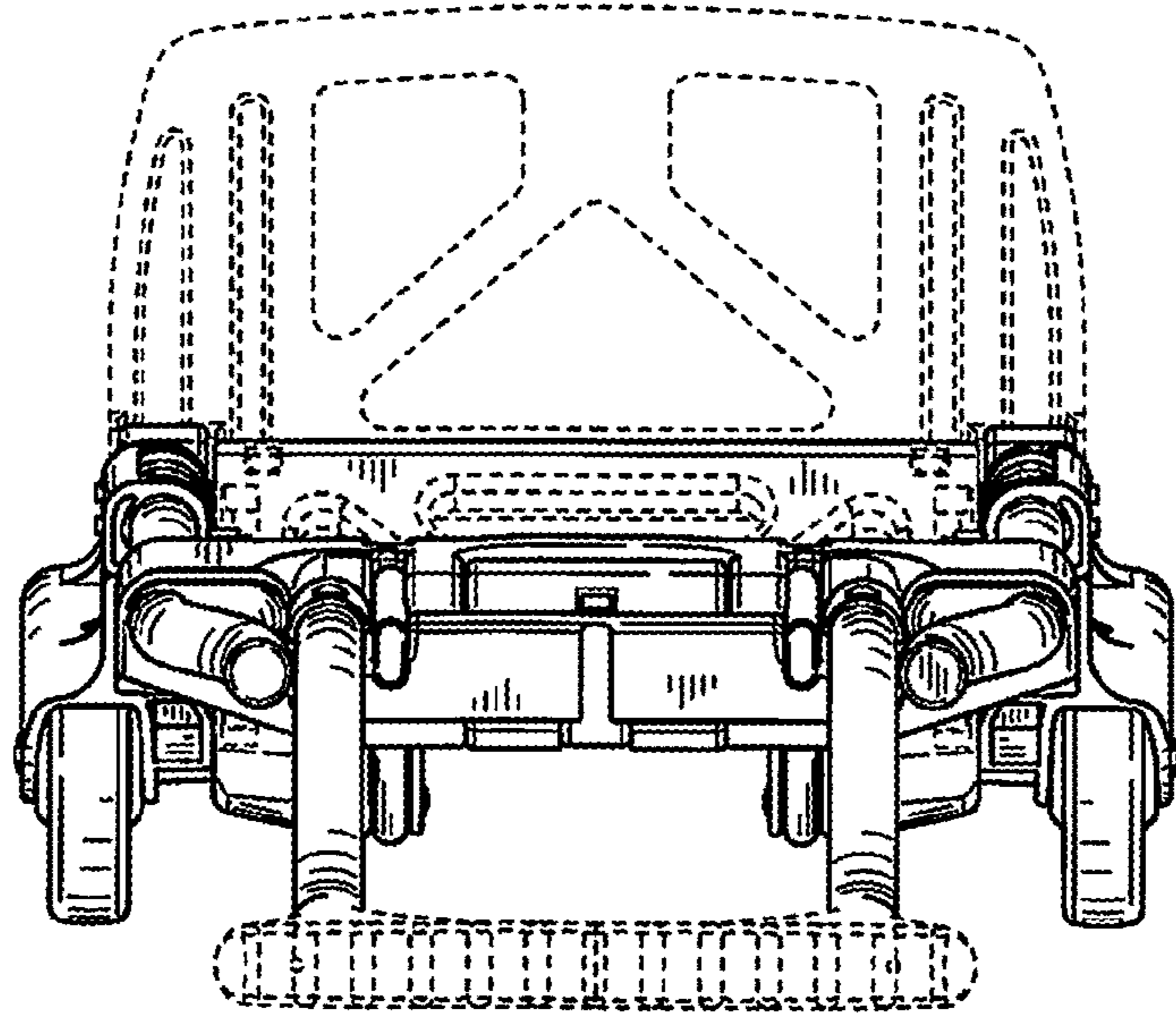


FIG. 2

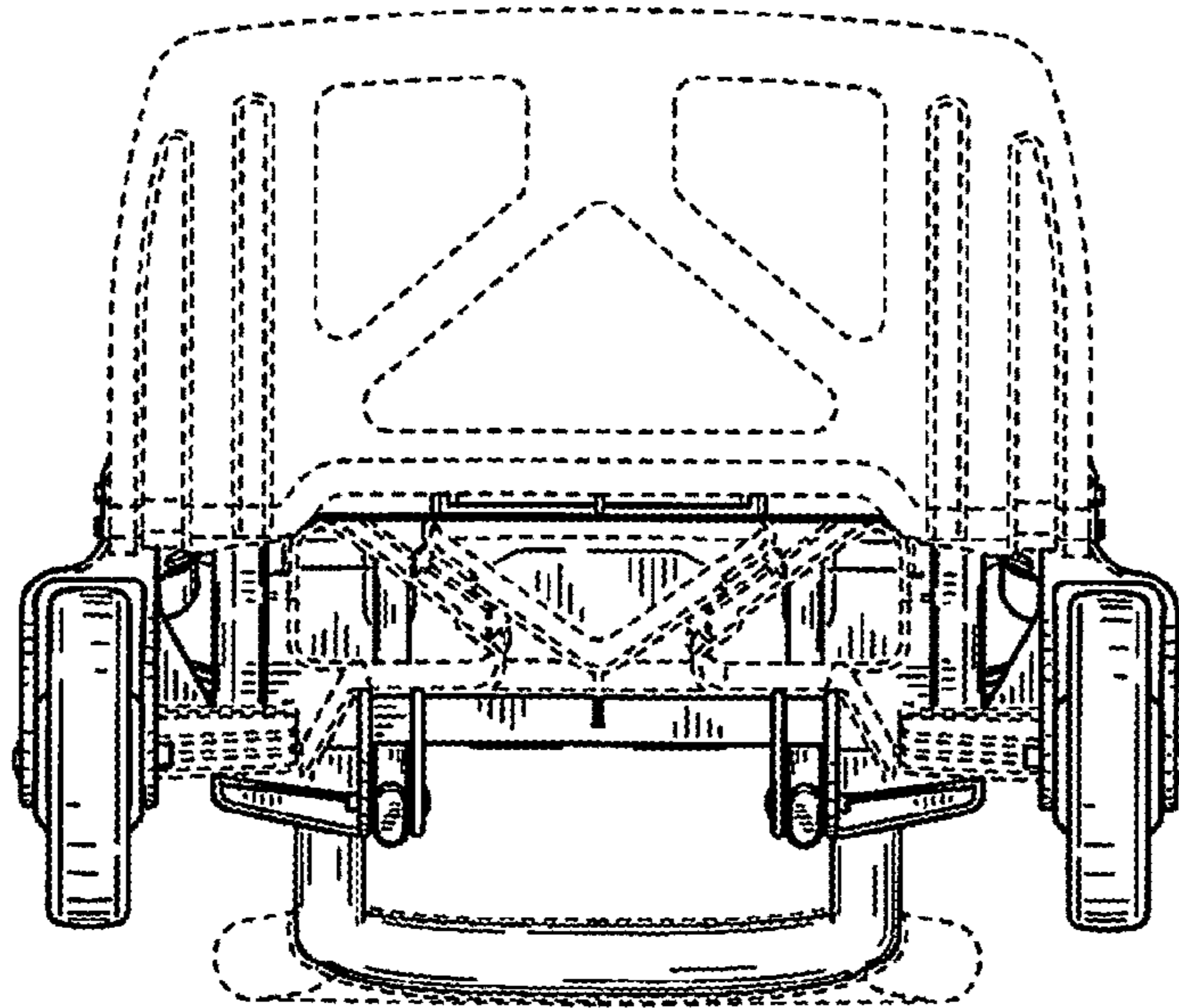


FIG. 3

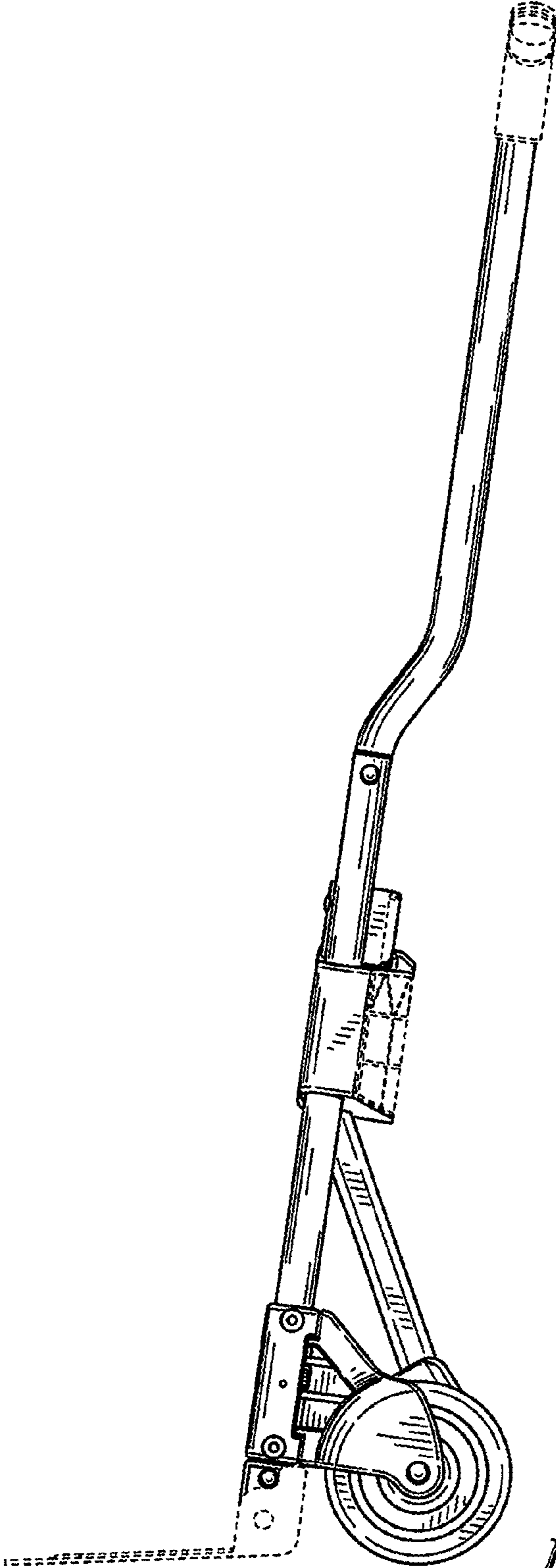


FIG. 4

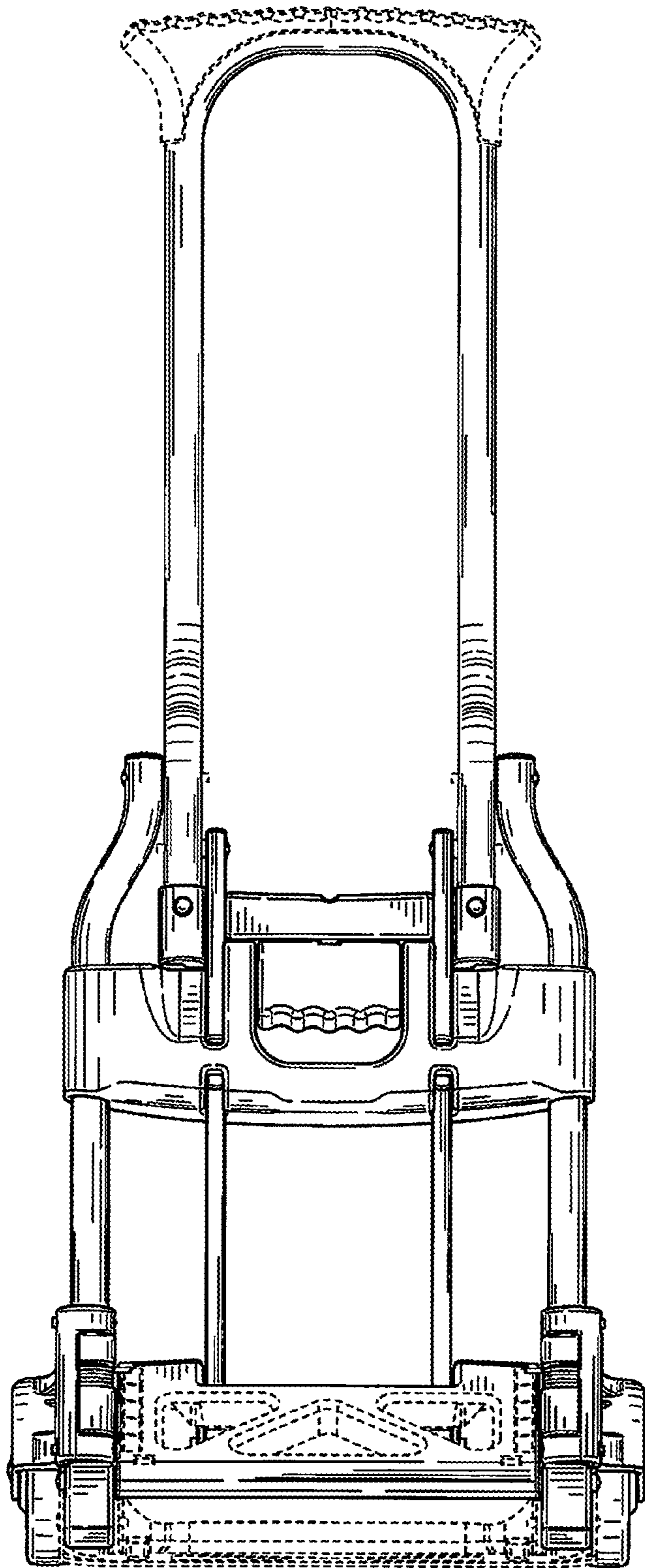


FIG. 5

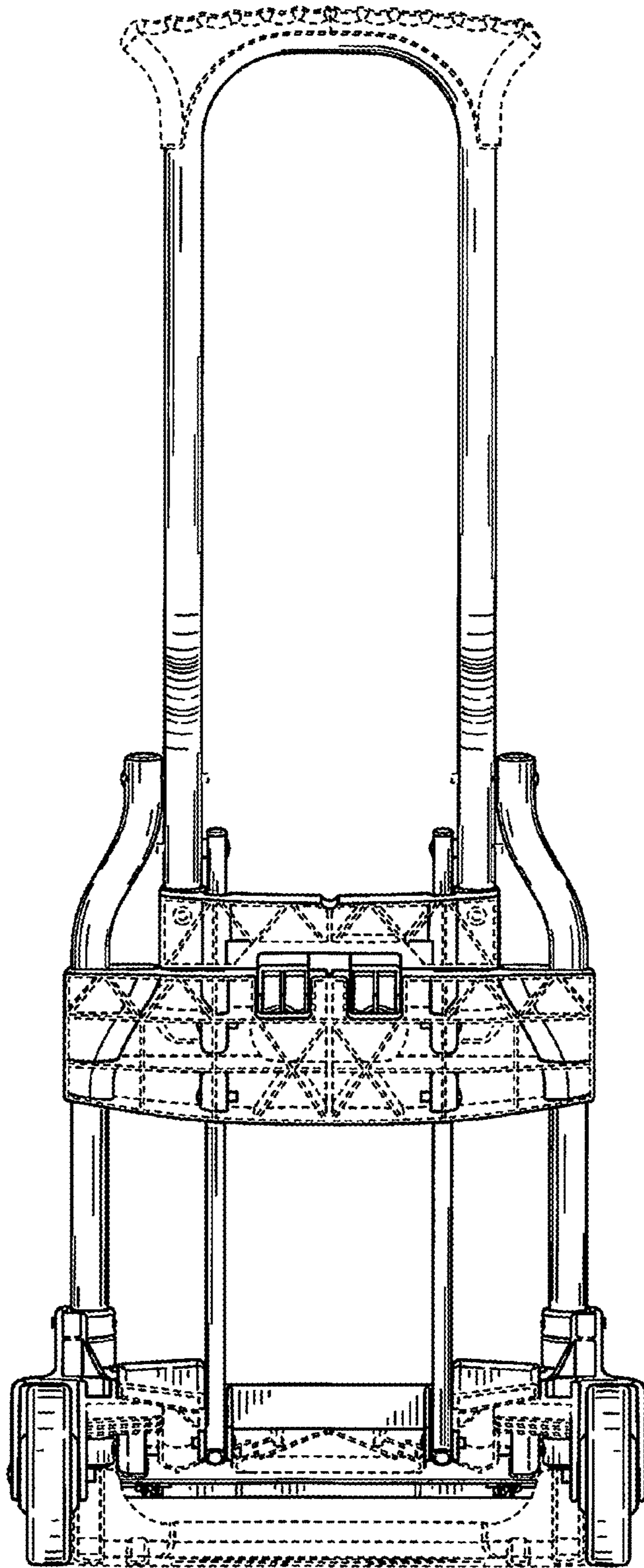


FIG. 6

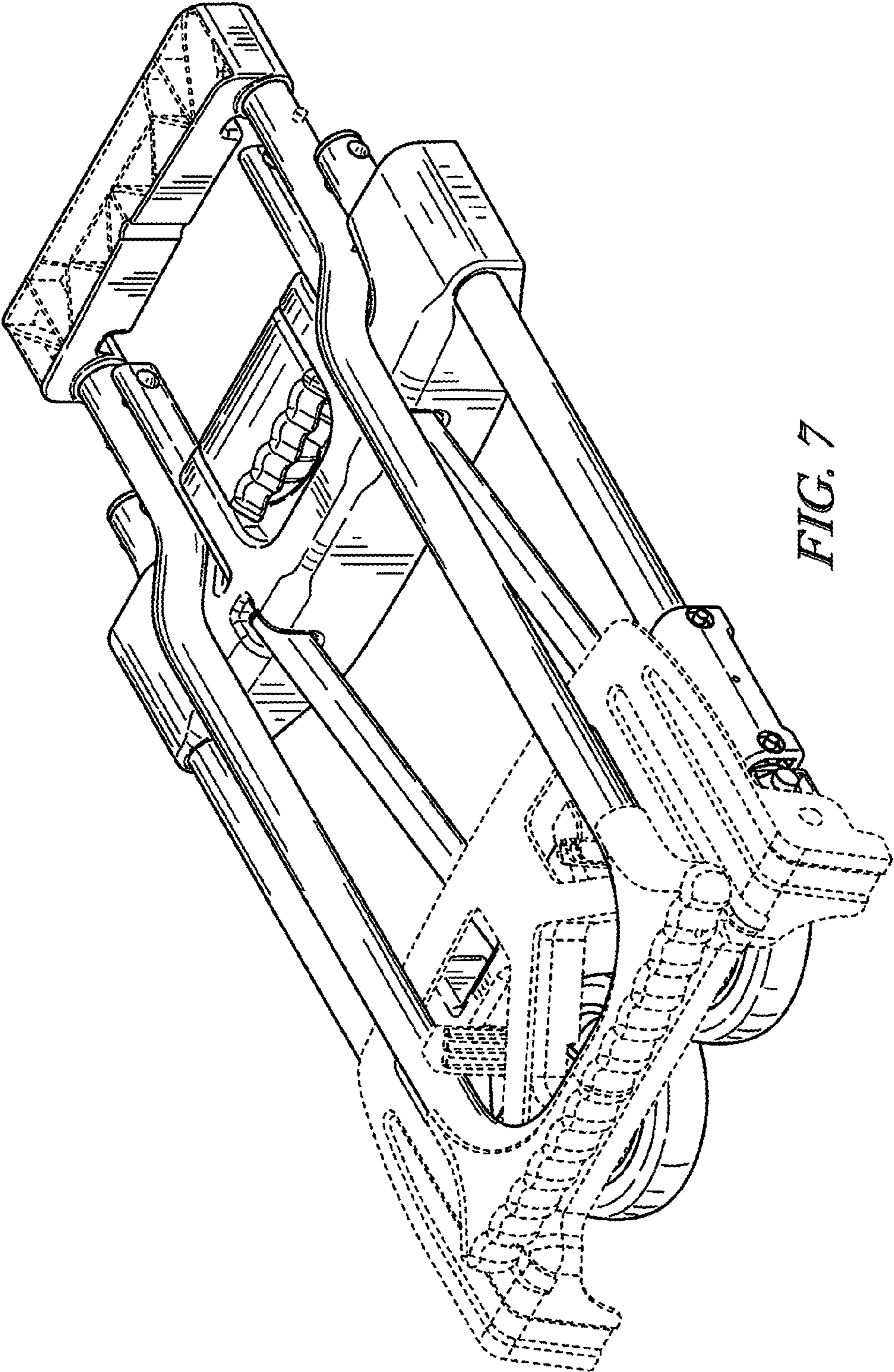


FIG. 7

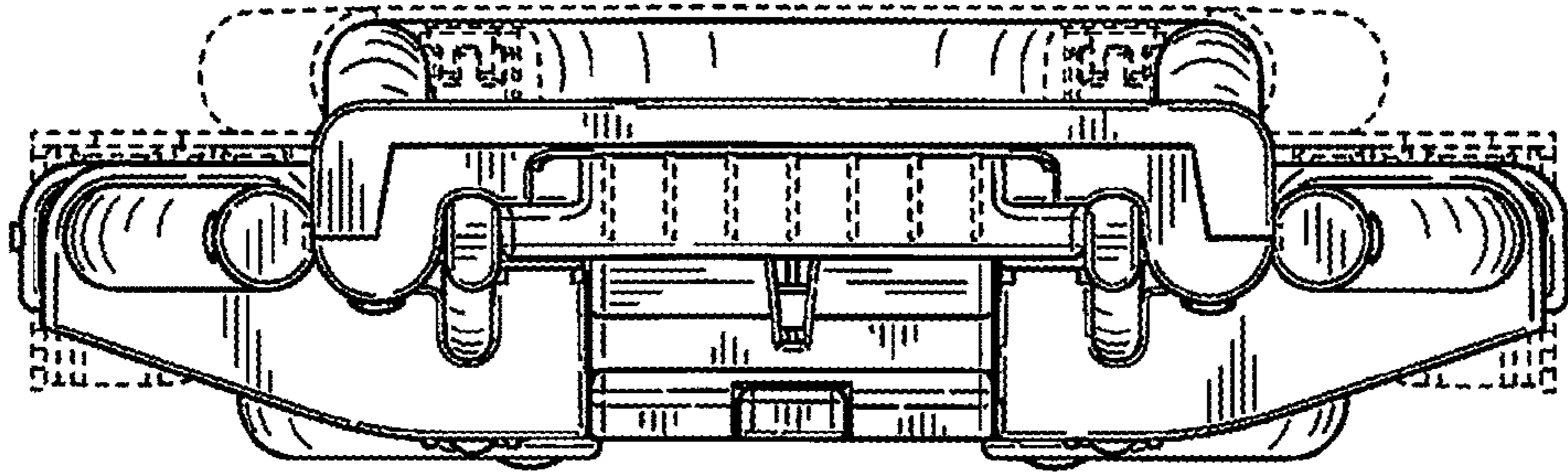


FIG. 8

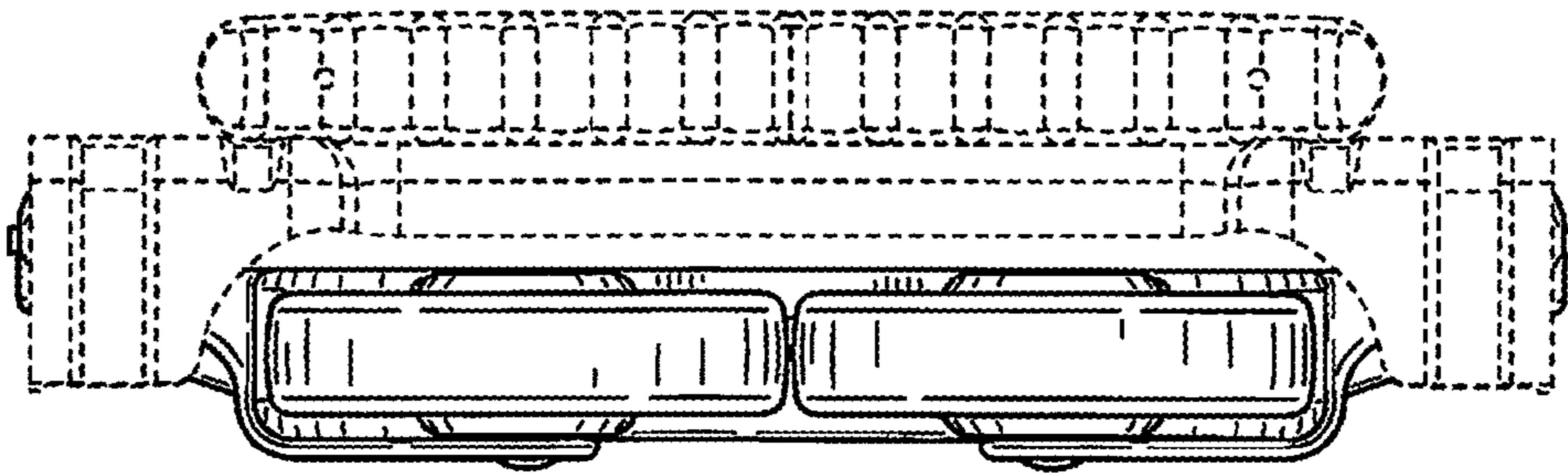


FIG. 9

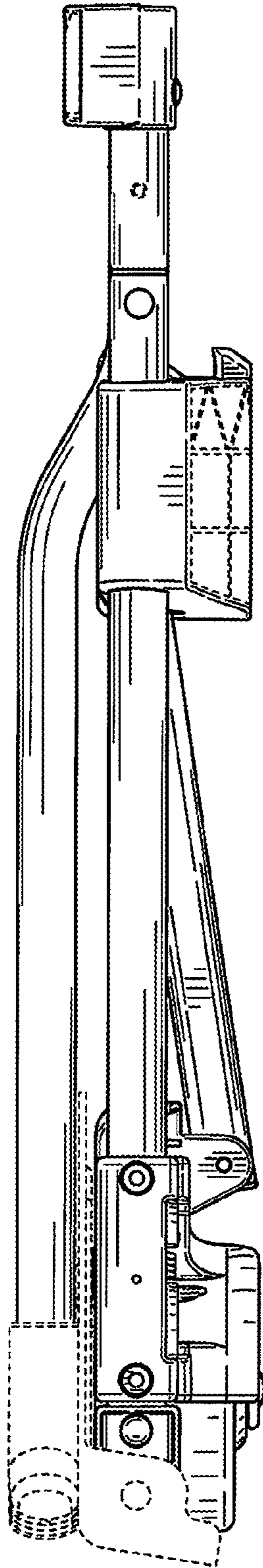


FIG. 10

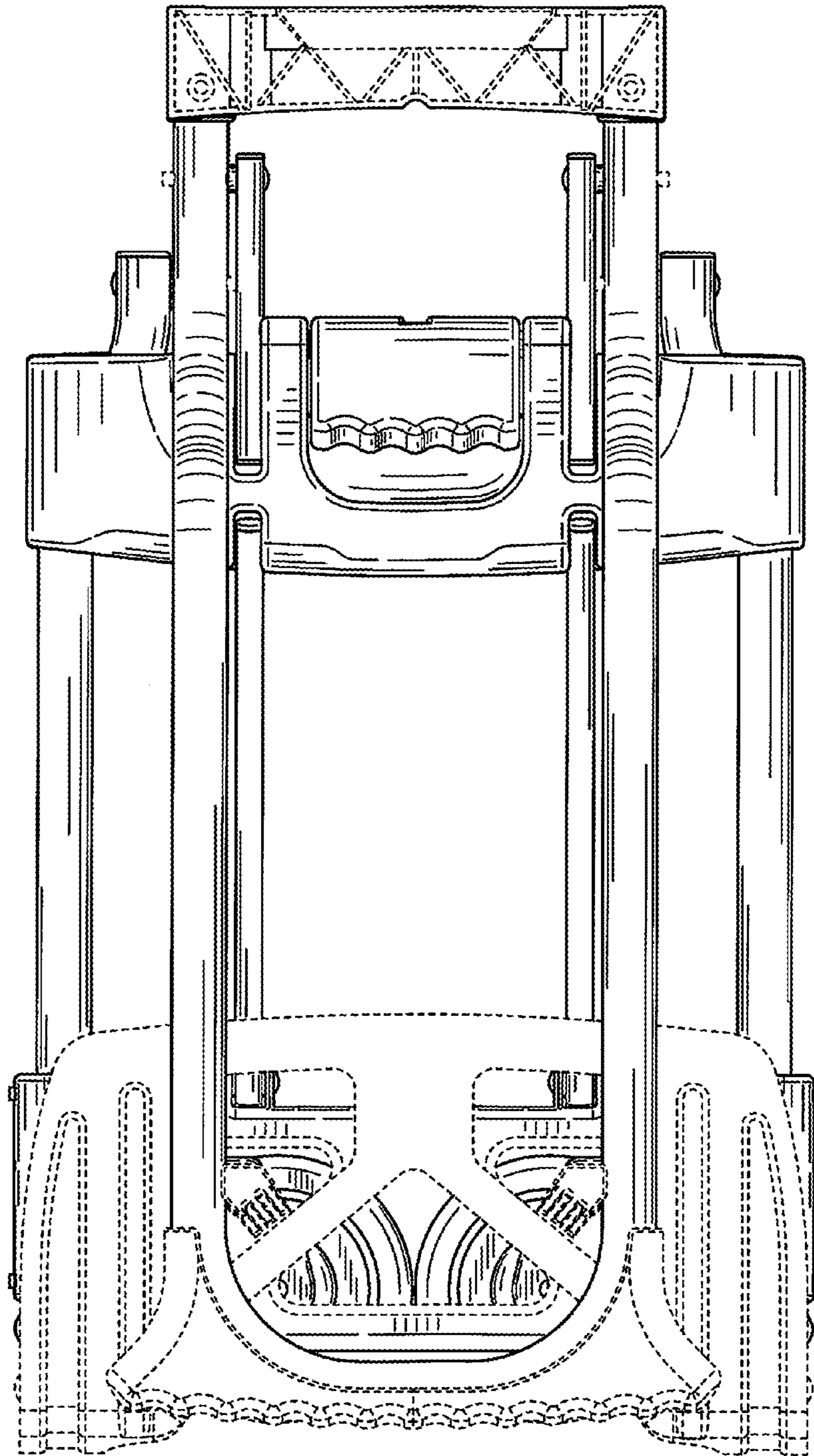


FIG. 11

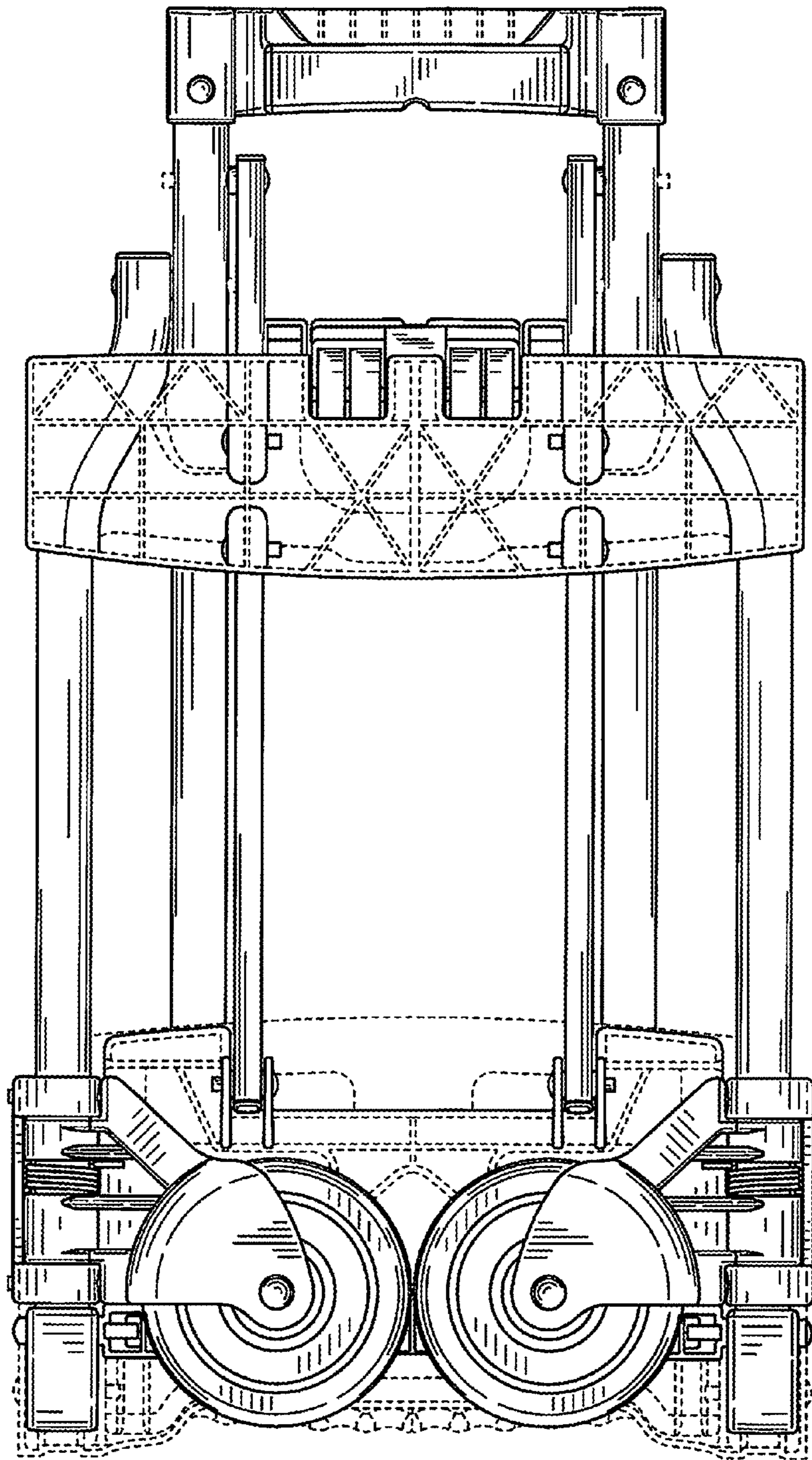


FIG. 12