



US00D749811S

(12) **United States Design Patent**
Thomas, Jr.

(10) **Patent No.:** **US D749,811 S**
(45) **Date of Patent:** **** Feb. 16, 2016**

(54) **GRAPE HARVESTING WAGON**

(71) Applicant: **William Paul Thomas, Jr.**, Grimes
County, TX (US)

(72) Inventor: **William Paul Thomas, Jr.**, Grimes
County, TX (US)

(**) Term: **14 Years**

(21) Appl. No.: **29/518,423**

(22) Filed: **Feb. 24, 2015**

Related U.S. Application Data

(62) Division of application No. 14/587,191, filed on Dec. 31, 2014.

(51) **LOC (10) Cl.** **12-02**

(52) **U.S. Cl.**
USPC **D34/17**

(58) **Field of Classification Search**
USPC D34/12-27; 280/30, 47.34, 651, 47.19,
280/47.26, 47.37, 35, 37, 40, 655, 47.35,
280/47.11, 47.18
CPC B62B 3/02; B62B 2202/52; B60N 2/286

See application file for complete search history.

(56) **References Cited**

U.S. PATENT DOCUMENTS

D91,153	S	*	12/1933	Grebentein	D34/16
D302,958	S	*	8/1989	Shippee	D12/6
D322,501	S	*	12/1991	Legault	D34/24
D343,039	S	*	1/1994	Knox	D34/12
D400,333	S	*	10/1998	Westlake	D34/12
D424,267	S	*	5/2000	Lin	D34/12
D566,925	S	*	4/2008	Wu	D34/12
D576,372	S	*	9/2008	Walter	D34/17
D577,172	S	*	9/2008	Coderre	D34/12
D584,023	S	*	12/2008	Walter	D34/12
D601,772	S	*	10/2009	de Rueda	D34/12
D649,318	S	*	11/2011	Renfrew	D34/12
D649,320	S	*	11/2011	Renfrew	D34/12
D723,762	S	*	3/2015	Treadwell	D34/17

* cited by examiner

Primary Examiner — Cynthia Ramirez

(74) *Attorney, Agent, or Firm* — Richard L. Moseley

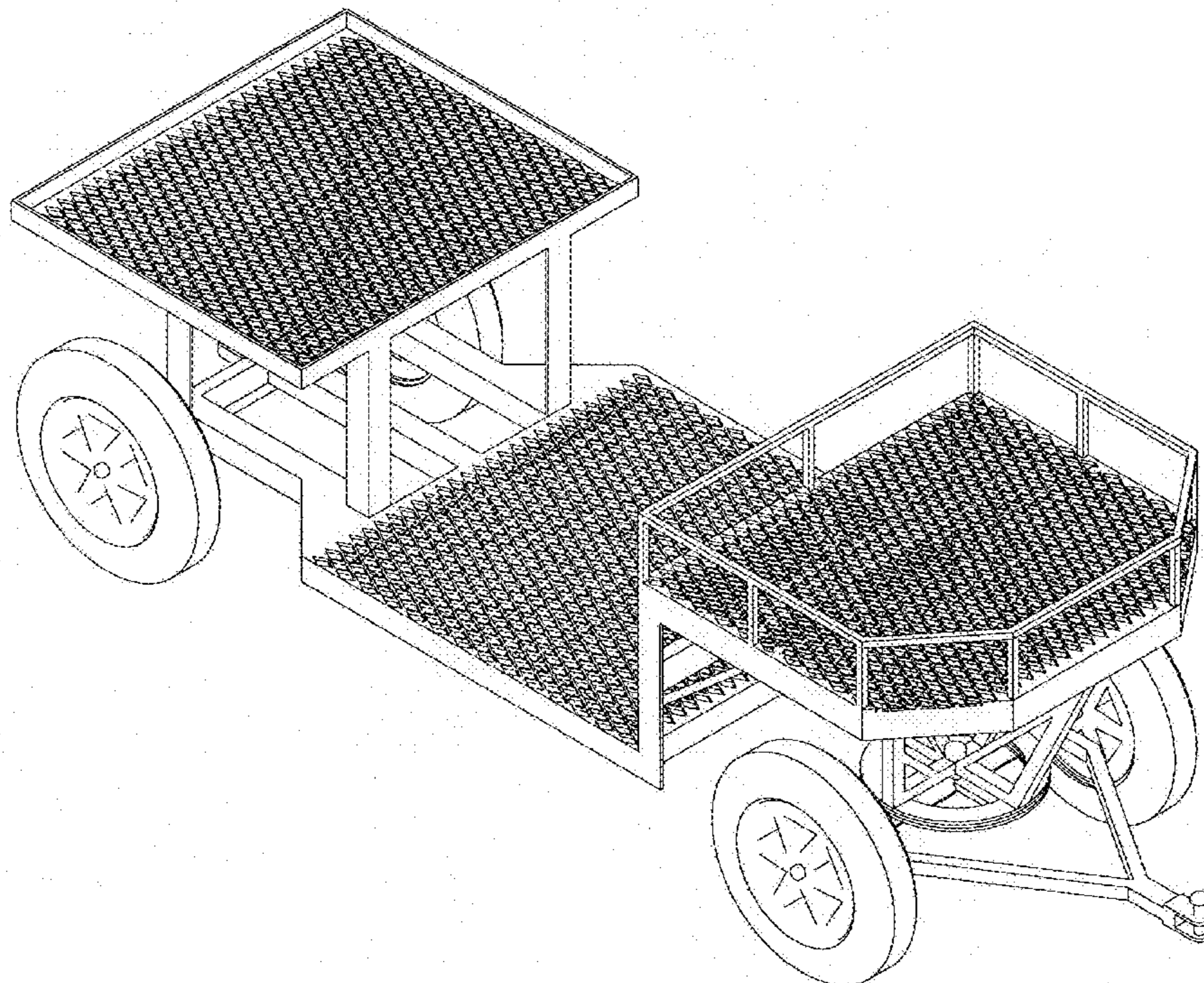
(57) **CLAIM**

The ornamental design for a grape harvesting wagon, as shown and described.

DESCRIPTION

FIG. 1 is an isometric view of the grape harvesting wagon according to the present invention; FIG. 2 is a side elevational view thereof, the other side elevational being a mirror image; FIG. 3 is a bottom plan view thereof; and, FIG. 4 is a top plan view thereof.

1 Claim, 4 Drawing Sheets



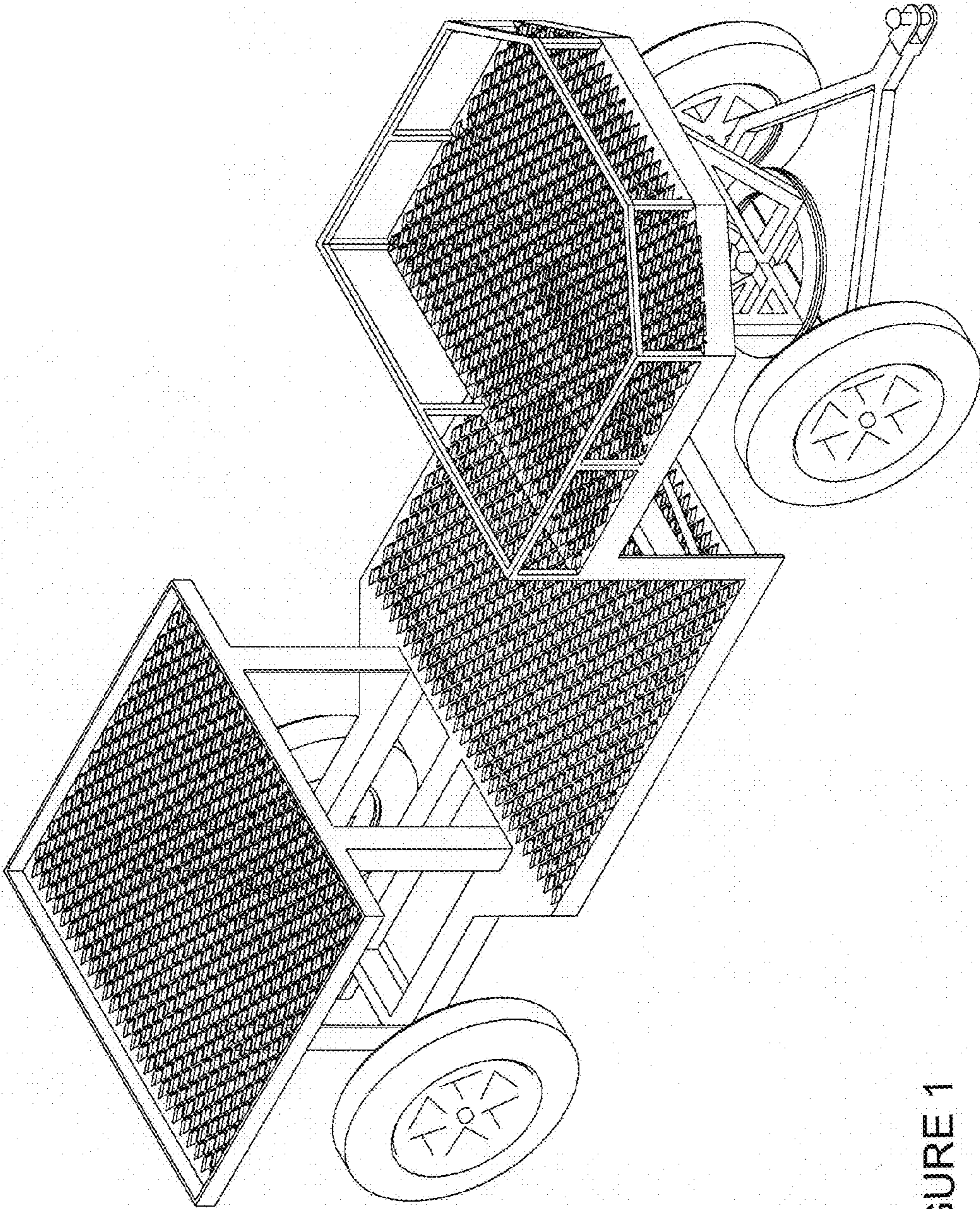


FIGURE 1

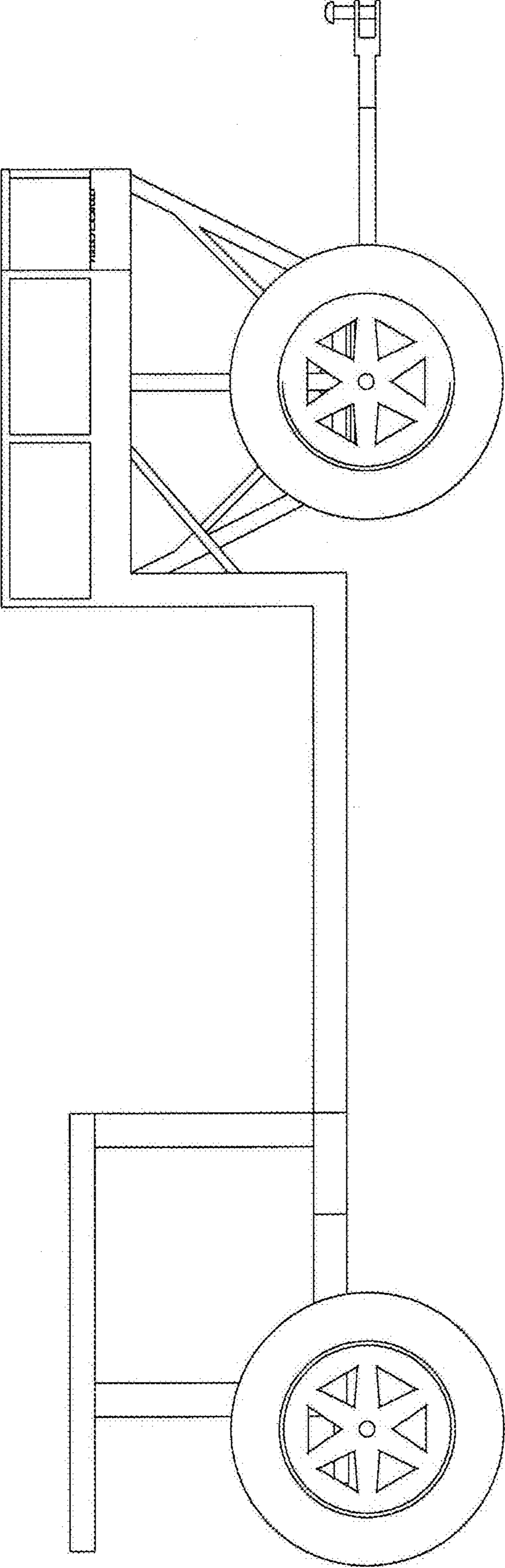


FIGURE 2

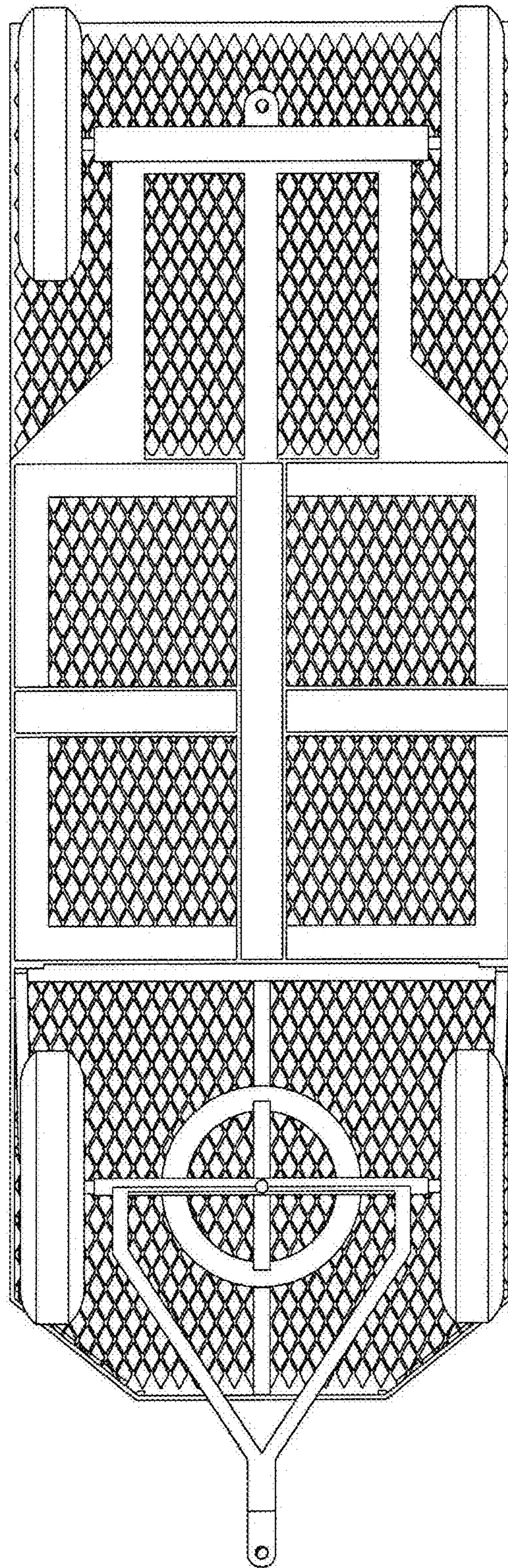


FIGURE 3

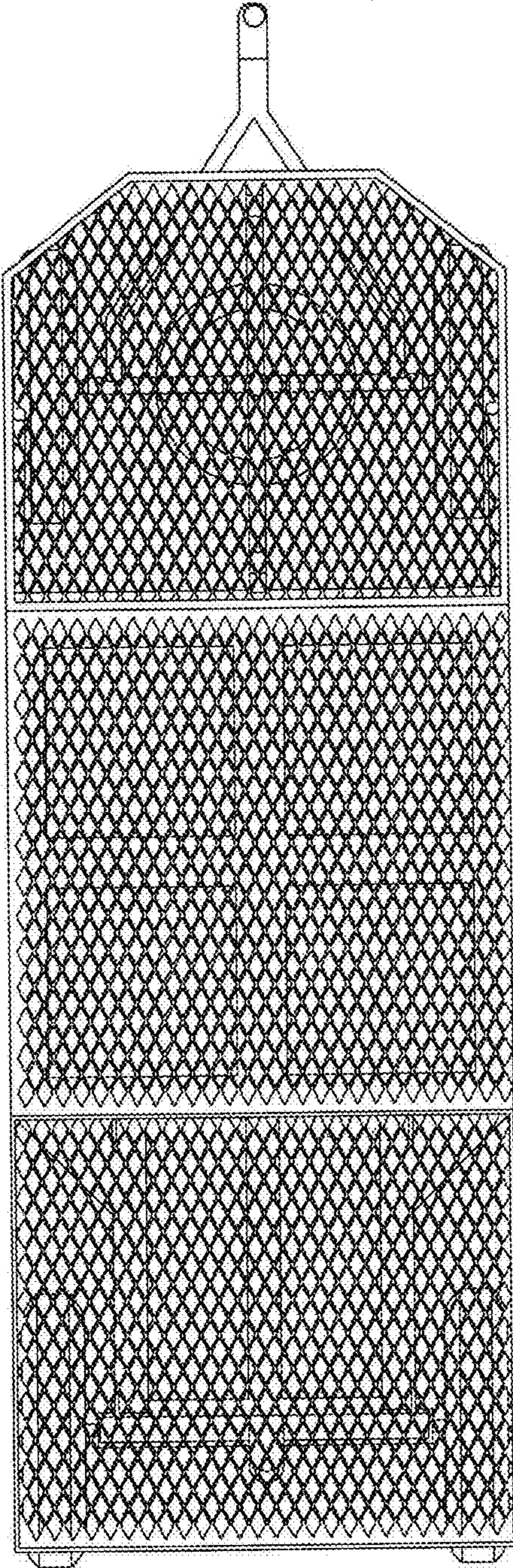


FIGURE 4