



US00D749810S

(12) **United States Design Patent**
Charter et al.

(10) **Patent No.:** **US D749,810 S**
(45) **Date of Patent:** **** Feb. 16, 2016**

(54) **BAG HOLDING GARBAGE CONTAINER ATTACHMENT**

(71) Applicants: **Natasha Charter**, Brooklyn, NY (US);
Kester Charter, Brooklyn, NY (US)

(72) Inventors: **Natasha Charter**, Brooklyn, NY (US);
Kester Charter, Brooklyn, NY (US)

(**) Term: **14 Years**

(21) Appl. No.: **29/502,561**

(22) Filed: **Sep. 17, 2014**

(51) **LOC (10) Cl.** **09-09**

(52) **U.S. Cl.**
USPC **D34/10**

(58) **Field of Classification Search**
USPC D34/1-11, 19, 23, 24, 25, 39; D9/216,
D9/170, 220, 349, 55, 390, 399, 454;
229/4.5, 5.5-5.8; 220/495.07, 495.08,
220/505, 23.83, 23.86, 23.8, 23.4
CPC B65F 1/062; B65F 1/065; B65F 1/1607;
B65D 33/002
See application file for complete search history.

(56) **References Cited**

U.S. PATENT DOCUMENTS

423,264	A	3/1890	Morton	
3,300,082	A *	1/1967	Patterson	B65F 1/062 206/225
4,955,505	A *	9/1990	Battaglia	B65B 67/12 206/390
5,322,180	A *	6/1994	Ker	B65F 1/062 220/495.07
5,505,334	A *	4/1996	Triglia	B65F 1/062 220/495.07
5,628,424	A	5/1997	Gola	
5,704,511	A	1/1998	Kellams	
5,730,312	A *	3/1998	Hung	B65B 67/1266 206/390
6,123,215	A	9/2000	Windle	
6,126,031	A *	10/2000	Reason	B65F 1/062 220/495.04

6,193,095	B1 *	2/2001	McNeil	B65F 1/062 220/495.07
6,971,697	B2	12/2005	Morales	
7,168,591	B1 *	1/2007	Miller	B65F 1/062 220/495.06
8,317,055	B2 *	11/2012	Zawrotny	B65F 1/062 206/389
8,544,673	B1 *	10/2013	Polk	B65F 1/004 220/212.5
2005/0258177	A1	11/2005	Woodson	
2013/0105487	A1 *	5/2013	Baik	B65F 1/062 220/495.07
2015/0239663	A1 *	8/2015	Diep	B65F 1/062 220/495.07

* cited by examiner

Primary Examiner — Cynthia Ramirez
Assistant Examiner — Gino Colan

(57) **CLAIM**

The ornamental design for a bag holding garbage container attachment, as shown and described.

DESCRIPTION

FIG. 1 is an exploded left elevational view of a bag holding garbage container attachment showing my new design, an exploded right elevational view being a mirror image thereof; FIG. 2 is an exploded rear elevational view of the bag holding garbage container attachment; FIG. 3 is an exploded front elevational view of the bag holding garbage container attachment; FIG. 4 is an exploded top plan view of the bag holding garbage container attachment; FIG. 5 is an exploded bottom plan view of the bag holding garbage container attachment; FIG. 6 is an exploded perspective view of the bag holding garbage container attachment; and, FIG. 7 is a perspective view of the bag holding garbage container attachment in use. The broken lines in the drawings are included for the purpose of illustrating environment and form no part of the claimed design.

1 Claim, 5 Drawing Sheets

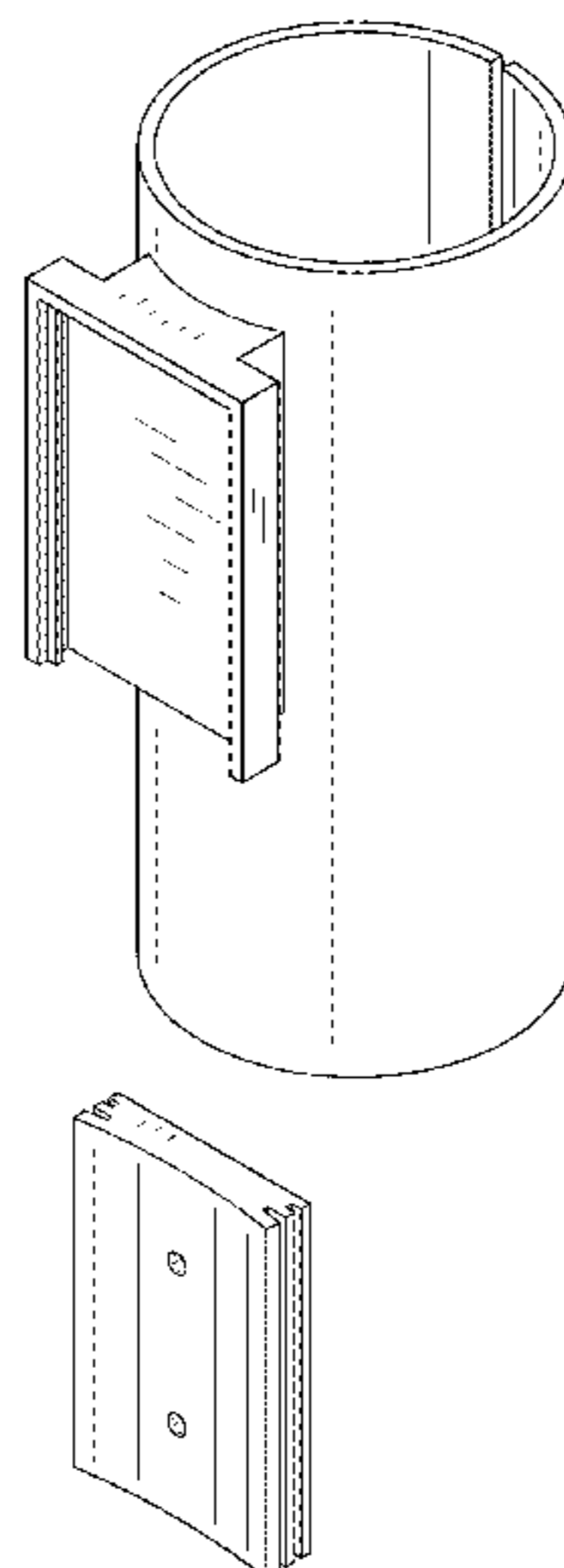


FIG. 1

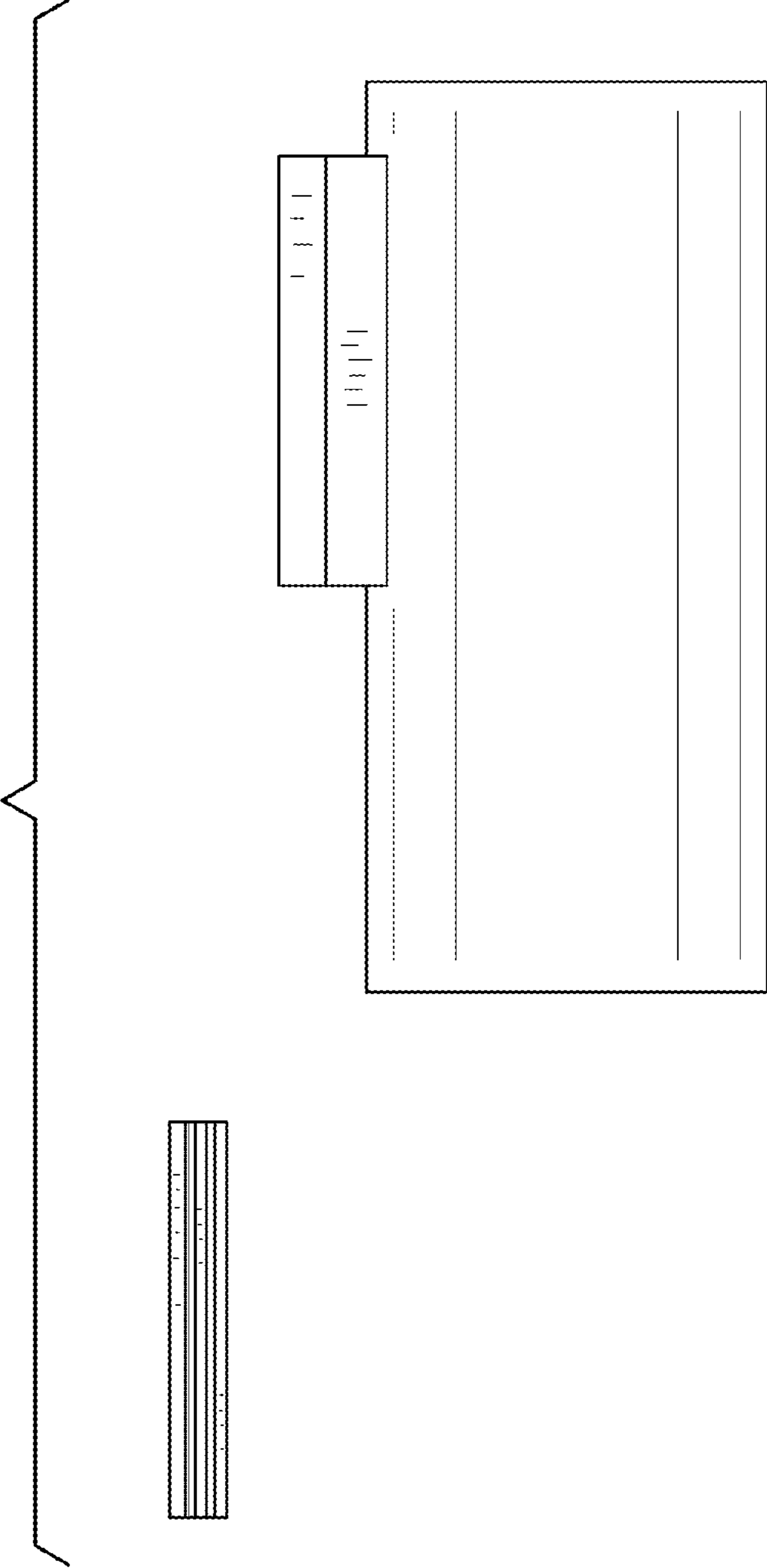


FIG. 2

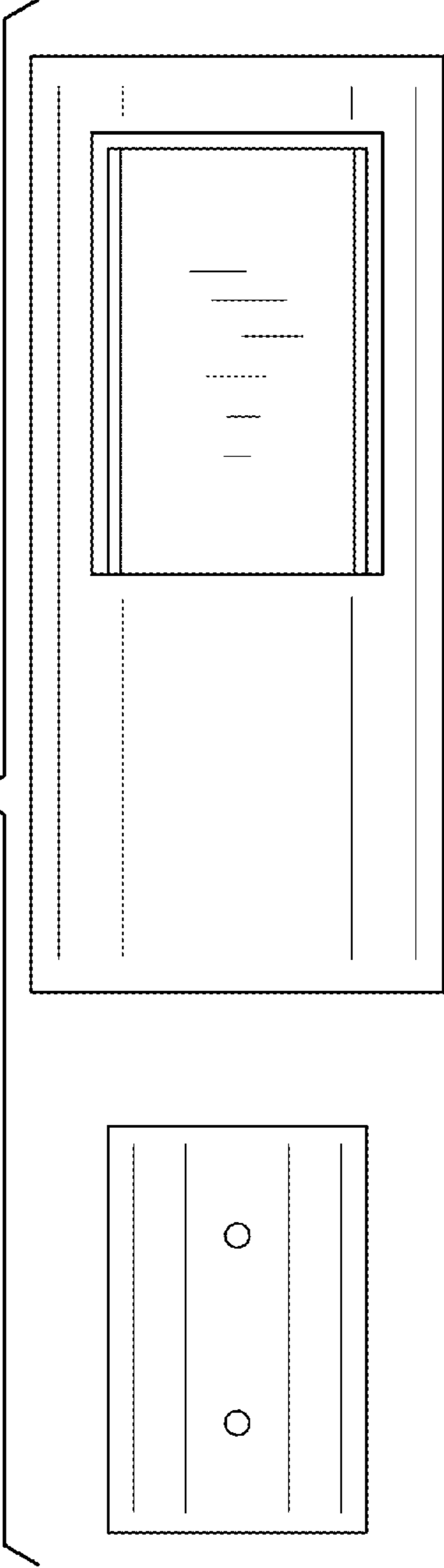
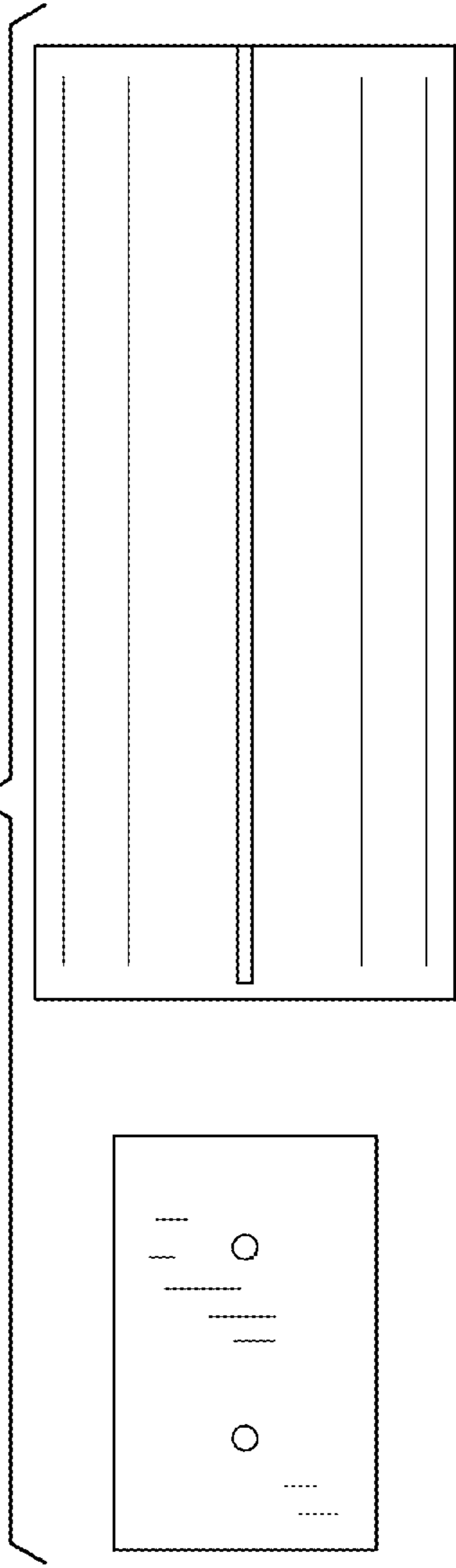


FIG. 3



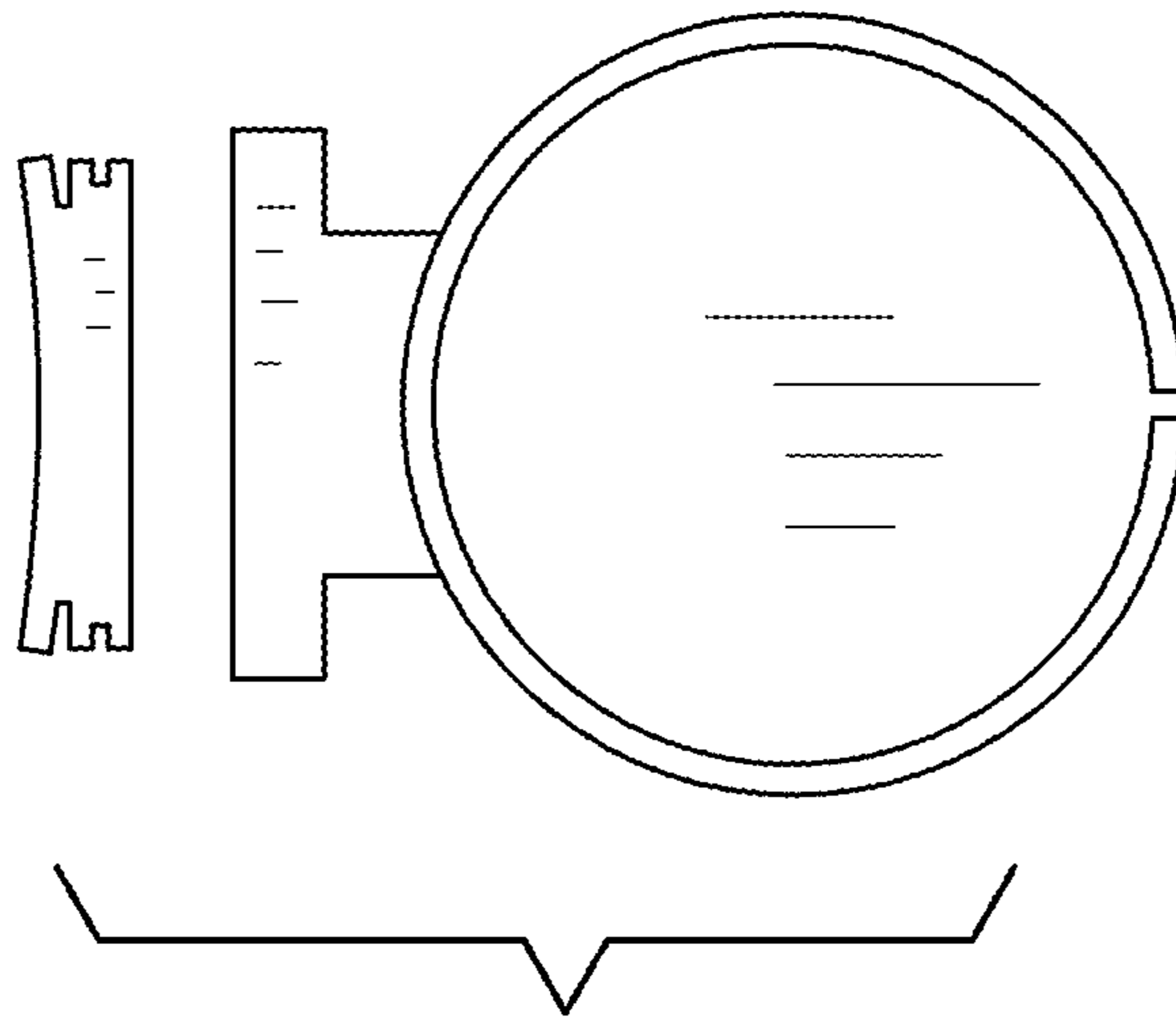


FIG. 4

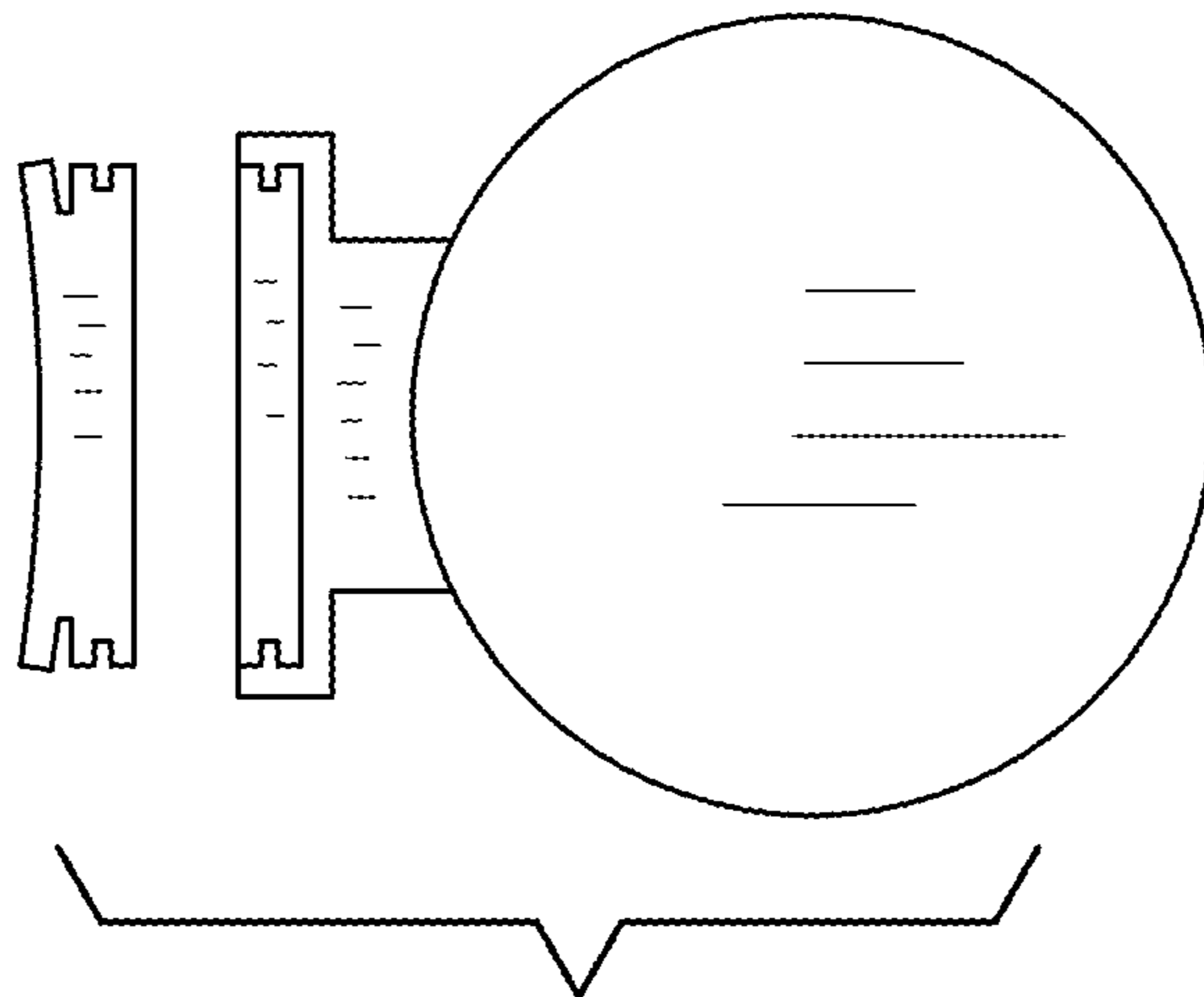
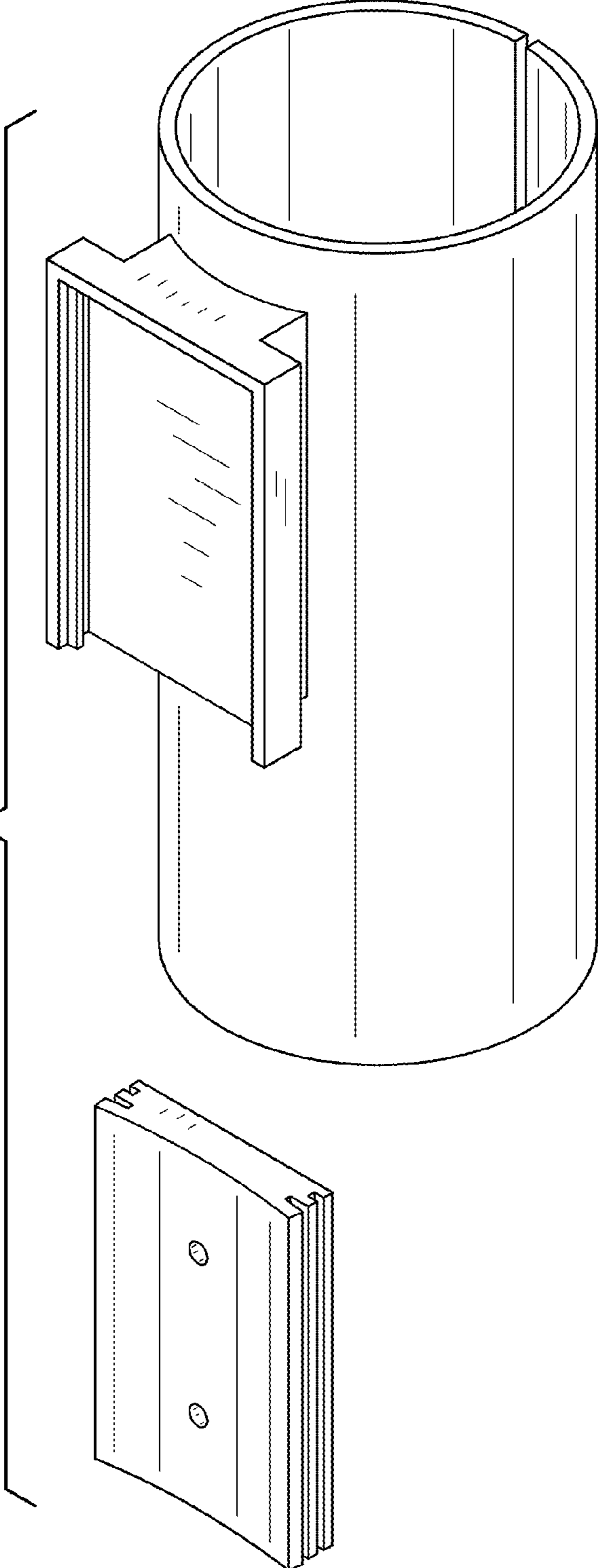


FIG. 5

FIG. 6



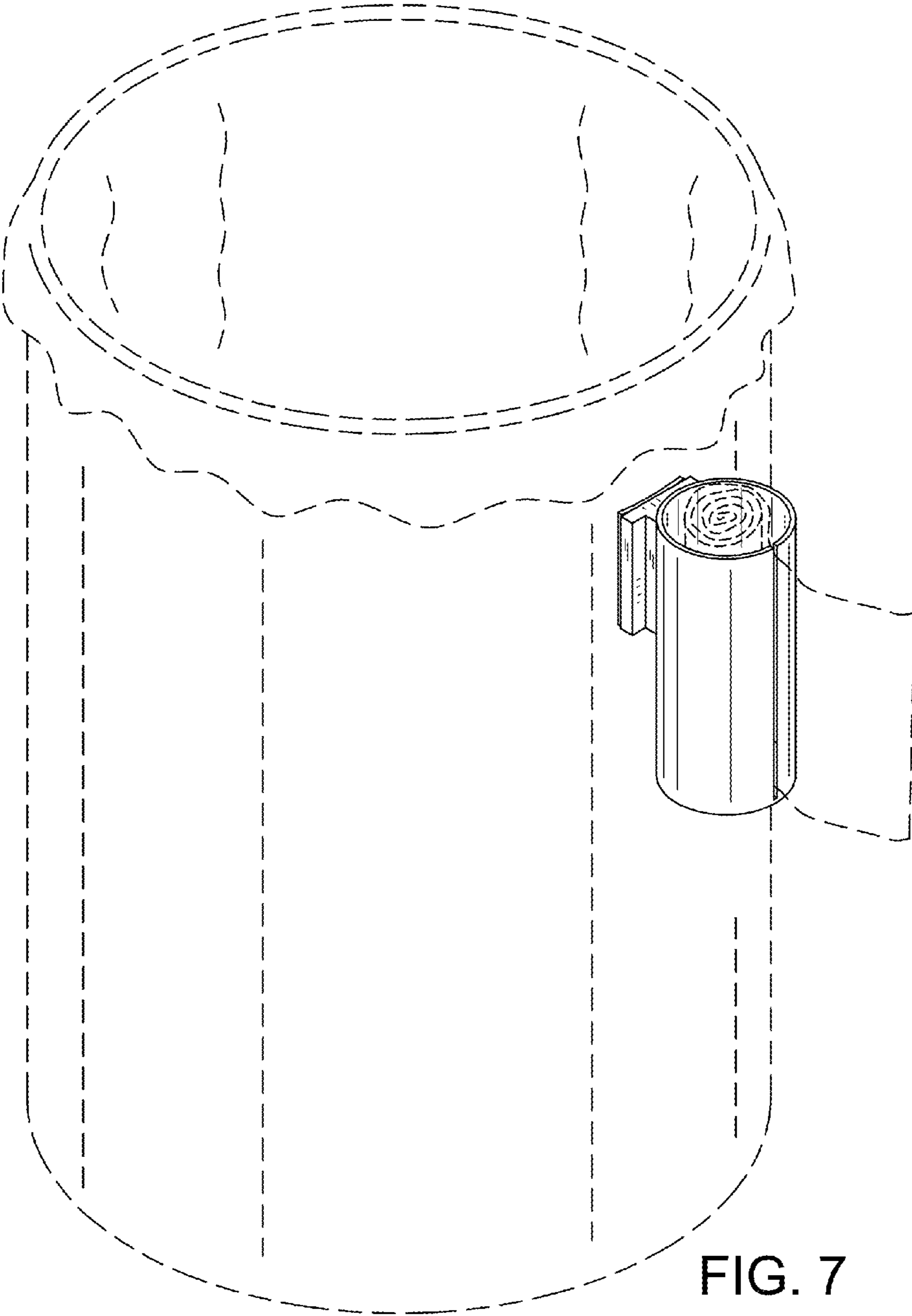


FIG. 7