



US00D749807S

(12) **United States Design Patent**
Ha et al.

(10) **Patent No.:** **US D749,807 S**
(45) **Date of Patent:** **** Feb. 16, 2016**

(54) **WASHING MACHINE**

(71) Applicant: **LG Electronics Inc.**, Seoul (KR)

(72) Inventors: **Youngsoo Ha**, Seoul (KR); **Jeaseok Seong**, Gyeonggi-do (KR); **Kyungah Lee**, Gyeonggi-do (KR); **Jonghee Han**, Gyeonggi-do (KR)

(73) Assignee: **LG Electronics Inc.**, Seoul (KR)

(**) Term: **14 Years**

(21) Appl. No.: **29/462,679**

(22) Filed: **Aug. 7, 2013**

(30) **Foreign Application Priority Data**

Feb. 7, 2013 (KR) 30-2013-0006874

(51) **LOC (10) Cl.** **15-05**

(52) **U.S. Cl.**
USPC **D32/28**

(58) **Field of Classification Search**
USPC D32/28, 3, 6, 25; D15/199; D13/162,
D13/162.1, 177; 68/12.02, 12.23, 3 R, 139,
68/212; D7/348, 351, 406; 34/87-88, 524
See application file for complete search history.

(56) **References Cited**

U.S. PATENT DOCUMENTS

D174,478 S *	4/1955	Trombley	D32/28
D191,132 S *	8/1961	Dushek	D32/28
D320,489 S *	10/1991	Marks et al.	D32/3
D380,883 S *	7/1997	Katz et al.	D32/25
5,808,778 A *	9/1998	Bauer et al.	359/267
D409,127 S *	5/1999	Kim et al.	D12/187
D490,944 S *	6/2004	Mallon	D32/3
D561,414 S *	2/2008	Cline et al.	D32/28
D568,563 S *	5/2008	Stephens	D32/28

D582,862 S *	12/2008	Landerholm et al.	D13/162
D613,916 S *	4/2010	Montgomery	D32/6
D614,366 S *	4/2010	Shor	D32/6

(Continued)

FOREIGN PATENT DOCUMENTS

CN	3558743	*	9/2006
CN	300815994	*	8/2008

OTHER PUBLICATIONS

Samsung WW9000 10kg Touchscreen Washing Machine copyright 2015, online, <http://www.samsung.com/...r/home-appliances/laundry/washing-machines/WW10H9600EX/EU?subsubtype=eco-bubble-vrttm>, site visited [Mar. 10, 2015 6:15:52 PM].*

(Continued)

Primary Examiner — John Windmuller

Assistant Examiner — John R Yeh

(74) *Attorney, Agent, or Firm* — Morgan, Lewis & Bockius LLP

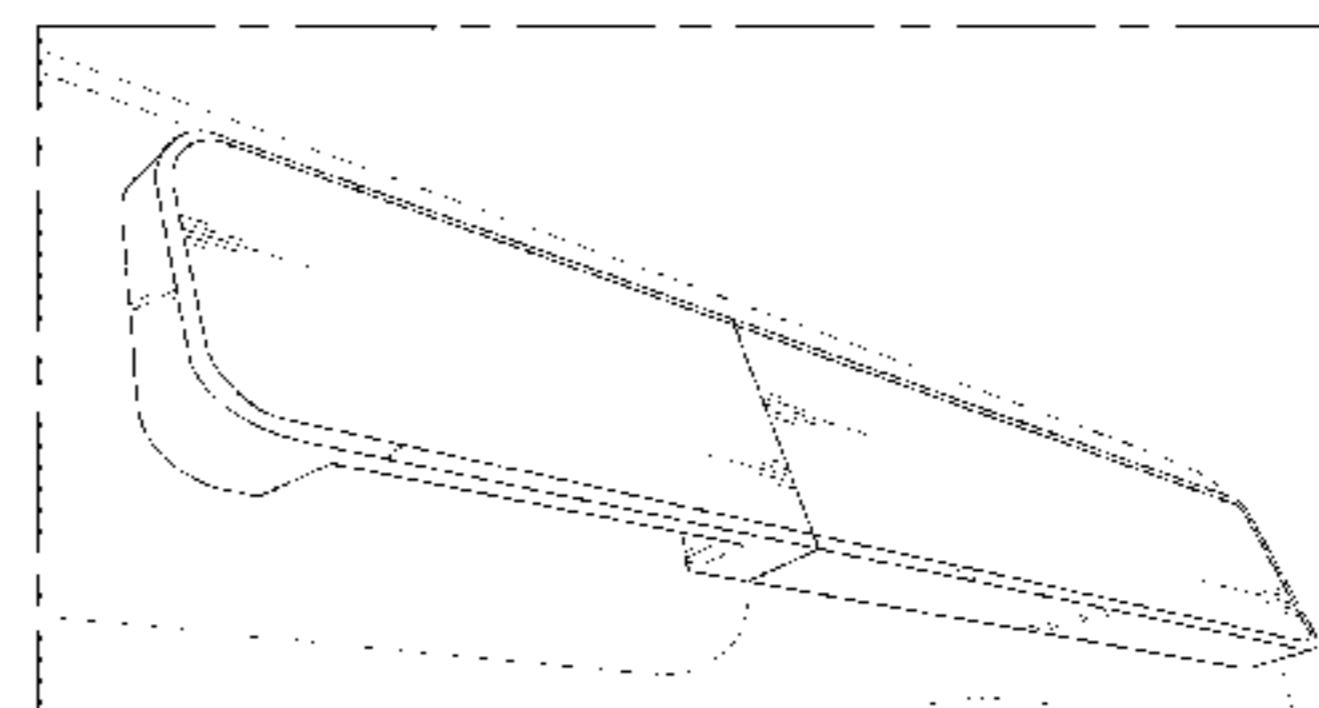
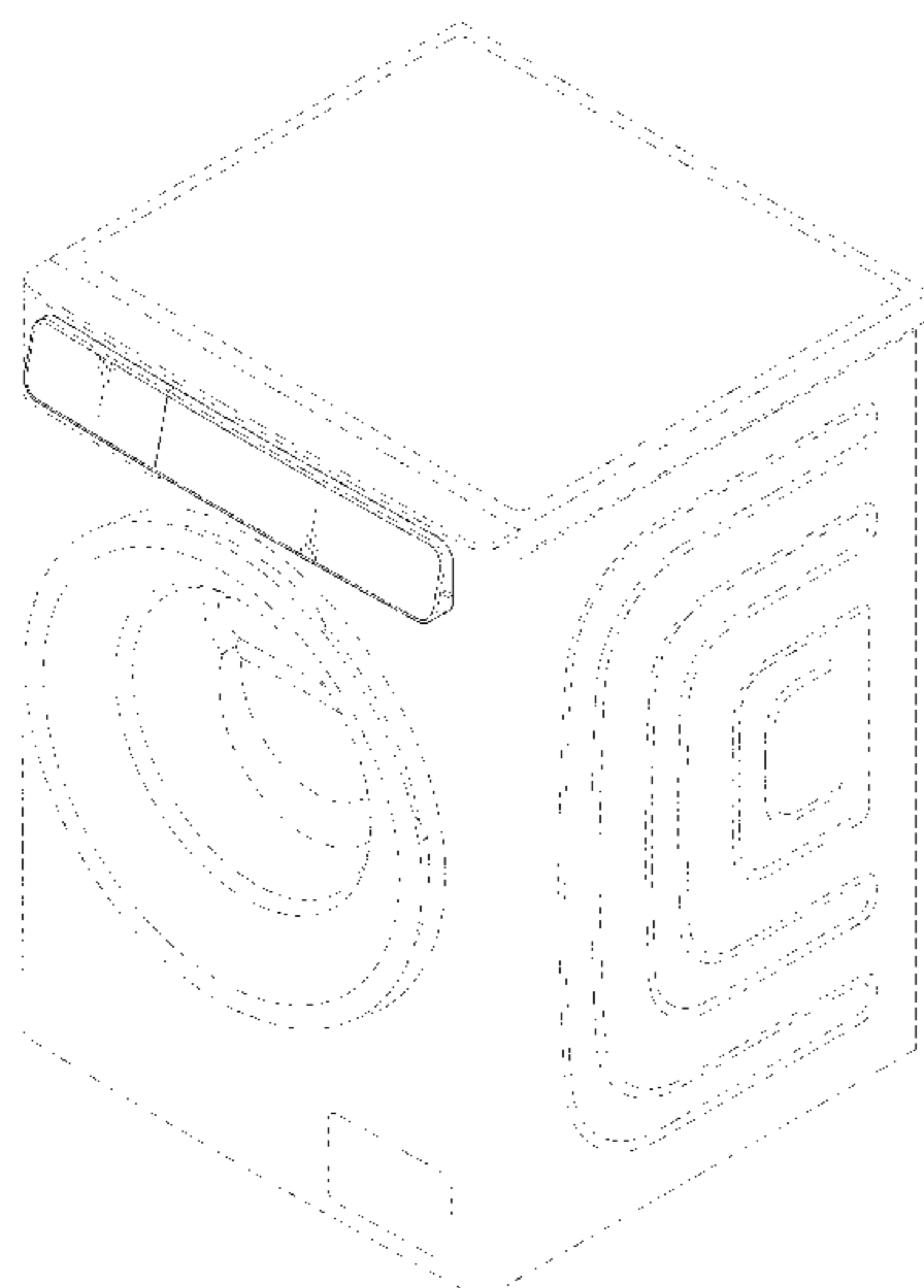
(57) **CLAIM**

The ornamental design for a washing machine, as shown and described.

DESCRIPTION

FIG. 1 is a perspective view of a washing machine showing our new design;
FIG. 2 is a front view thereof;
FIG. 3 is a rear view thereof;
FIG. 4 is a left side view thereof;
FIG. 5 is a right side view thereof;
FIG. 6 is a top plan view thereof;
FIG. 7 is a bottom plan view thereof;
FIG. 8 is an enlarged view of the claimed part; and,
FIG. 9 is an enlarged bottom perspective view of the claimed part.
The broken lines are for illustrative purposes only and form no part of the claimed design.

1 Claim, 9 Drawing Sheets



US D749,807 S

Page 2

(56)

References Cited

U.S. PATENT DOCUMENTS

7,991,528 B2 * 8/2011 Pu 701/36
D645,001 S * 9/2011 Margolin et al. D13/162
D668,112 S * 10/2012 Borjesson D7/406
D681,696 S * 5/2013 Meda et al. D15/89
D687,388 S * 8/2013 Baumgartner et al. D13/162
D703,883 S * 4/2014 Ha et al. D32/6
D703,884 S * 4/2014 Ha et al. D32/6

D703,886 S * 4/2014 Ha et al. D32/6
D706,997 S * 6/2014 Eng et al. D32/3
2011/0163999 A1* 7/2011 Lin 345/176

OTHER PUBLICATIONS

Community Design No. 000175930-0001, dishwasher, Nov. 14, 2006.
Community Design No. 000175930-0002, dishwasher, Nov. 14, 2006.

* cited by examiner

FIG. 1

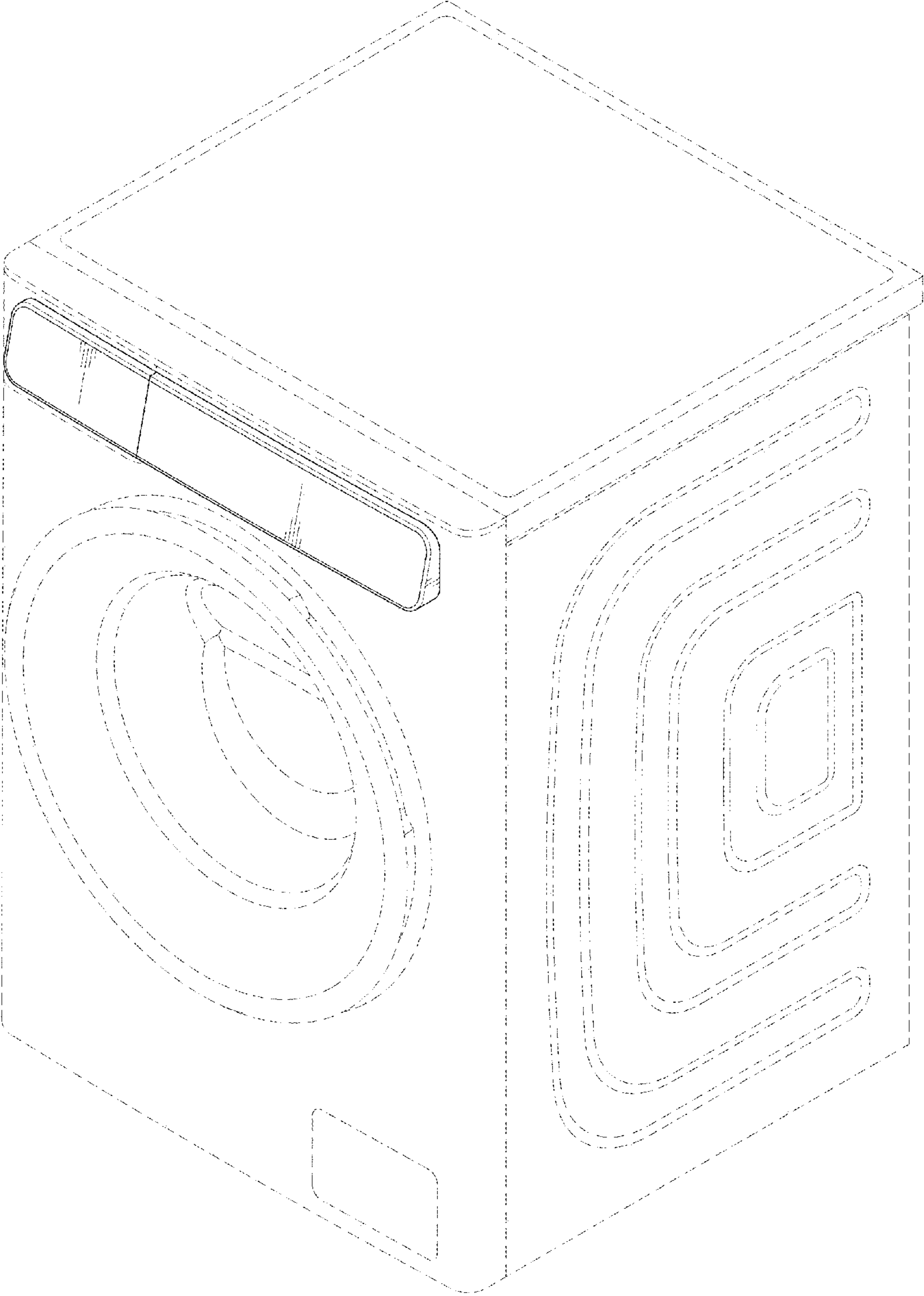


FIG. 2

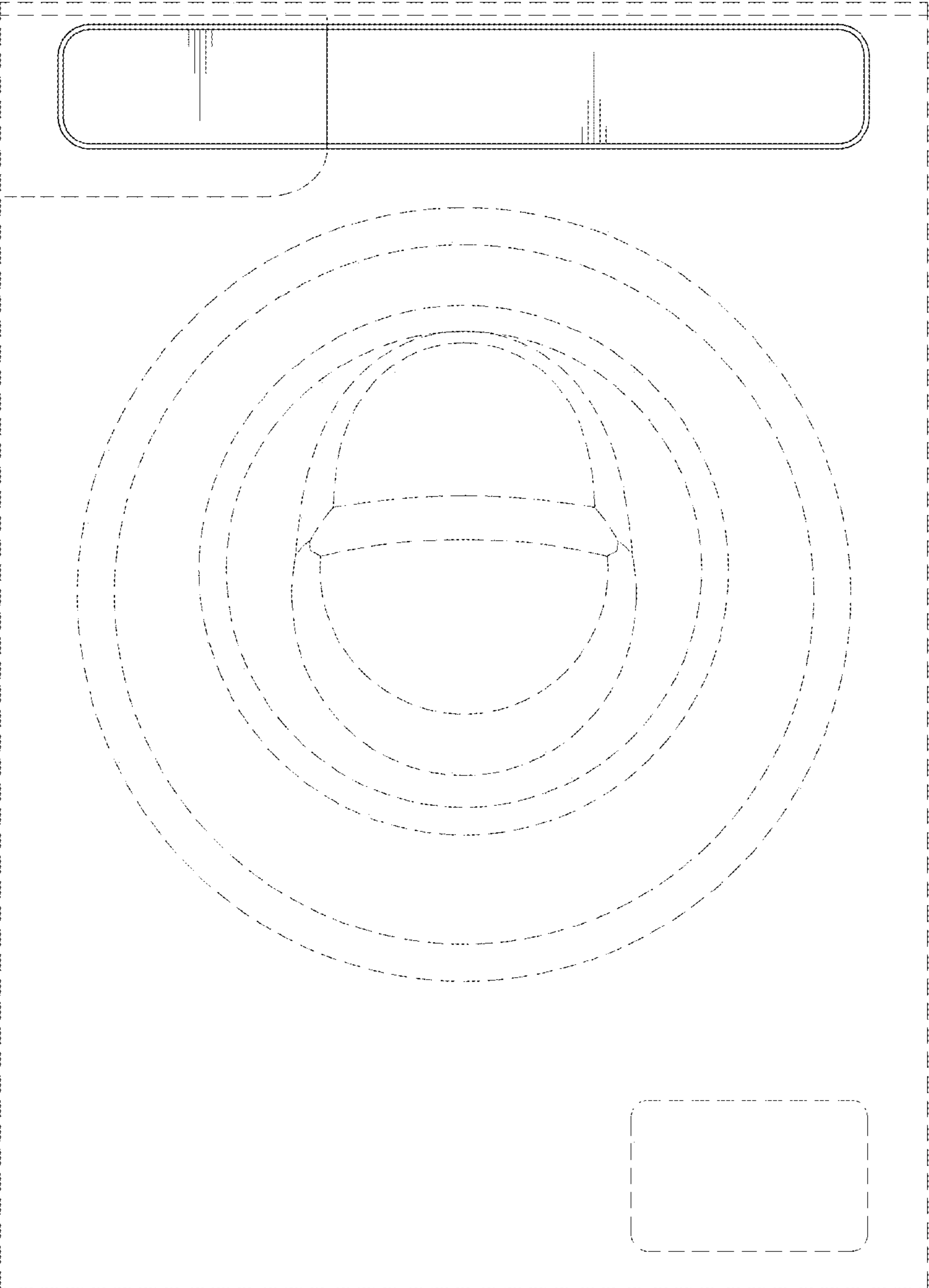


FIG. 3

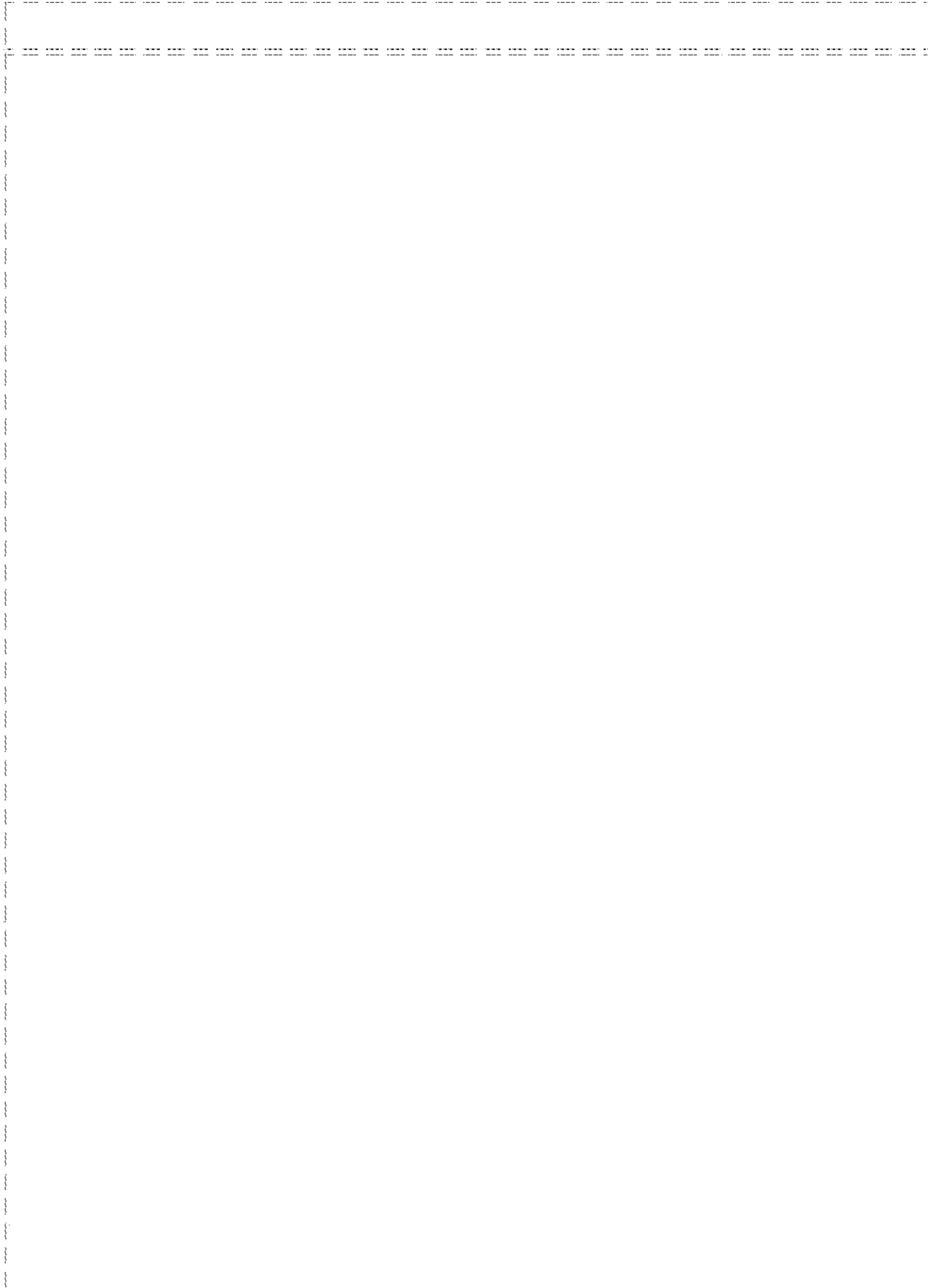


FIG. 4

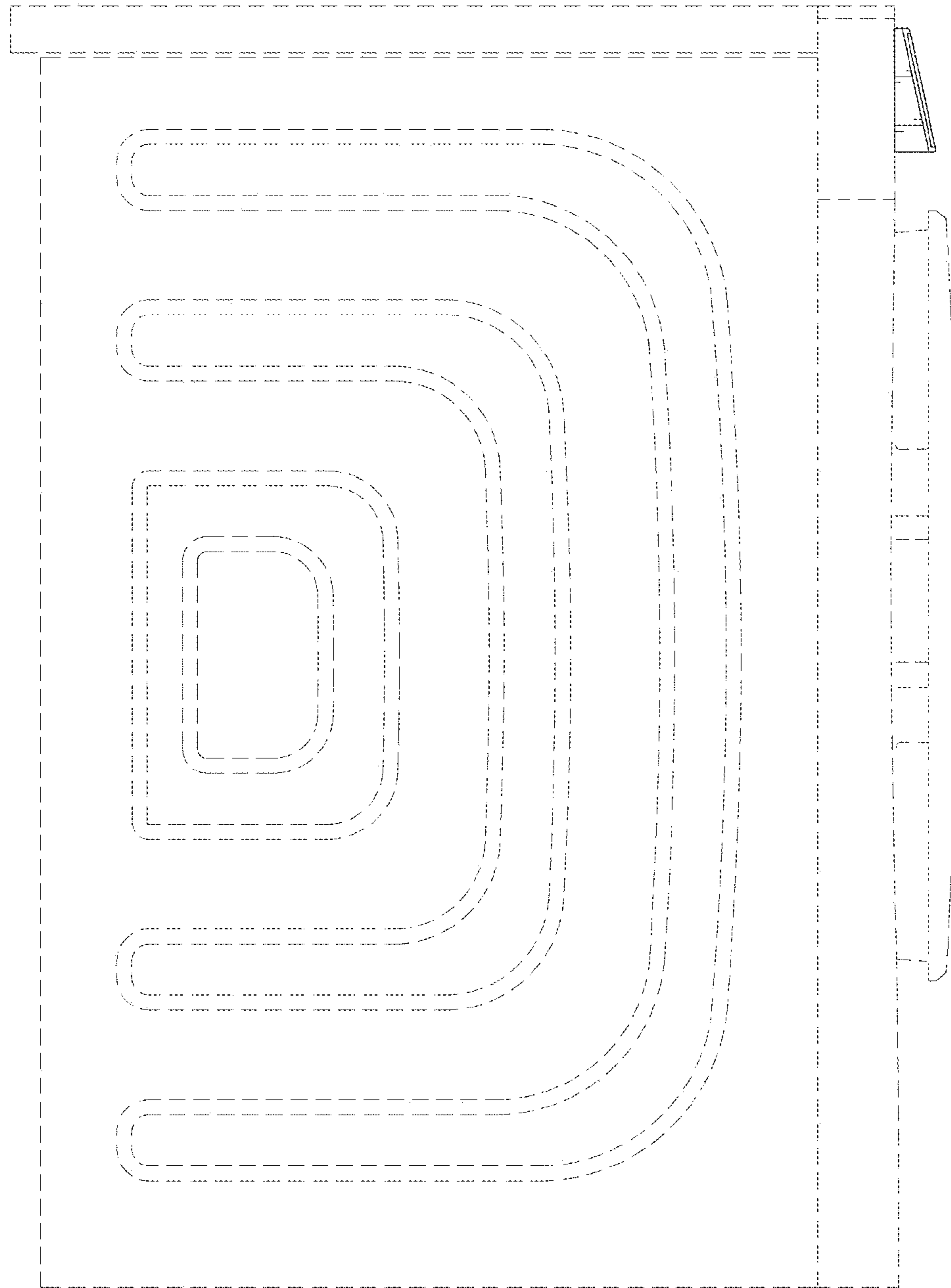


FIG. 5

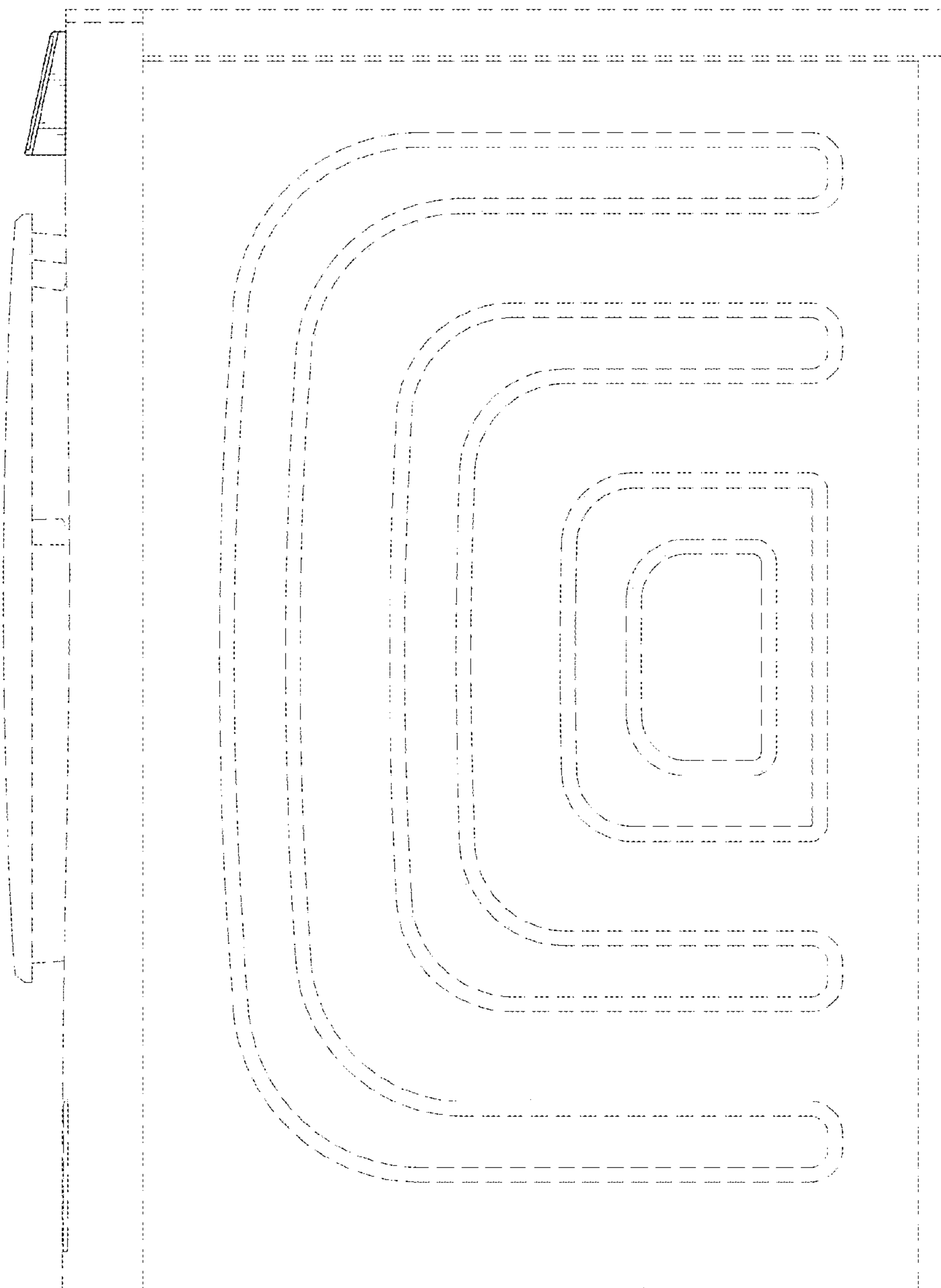


FIG. 6



FIG. 7

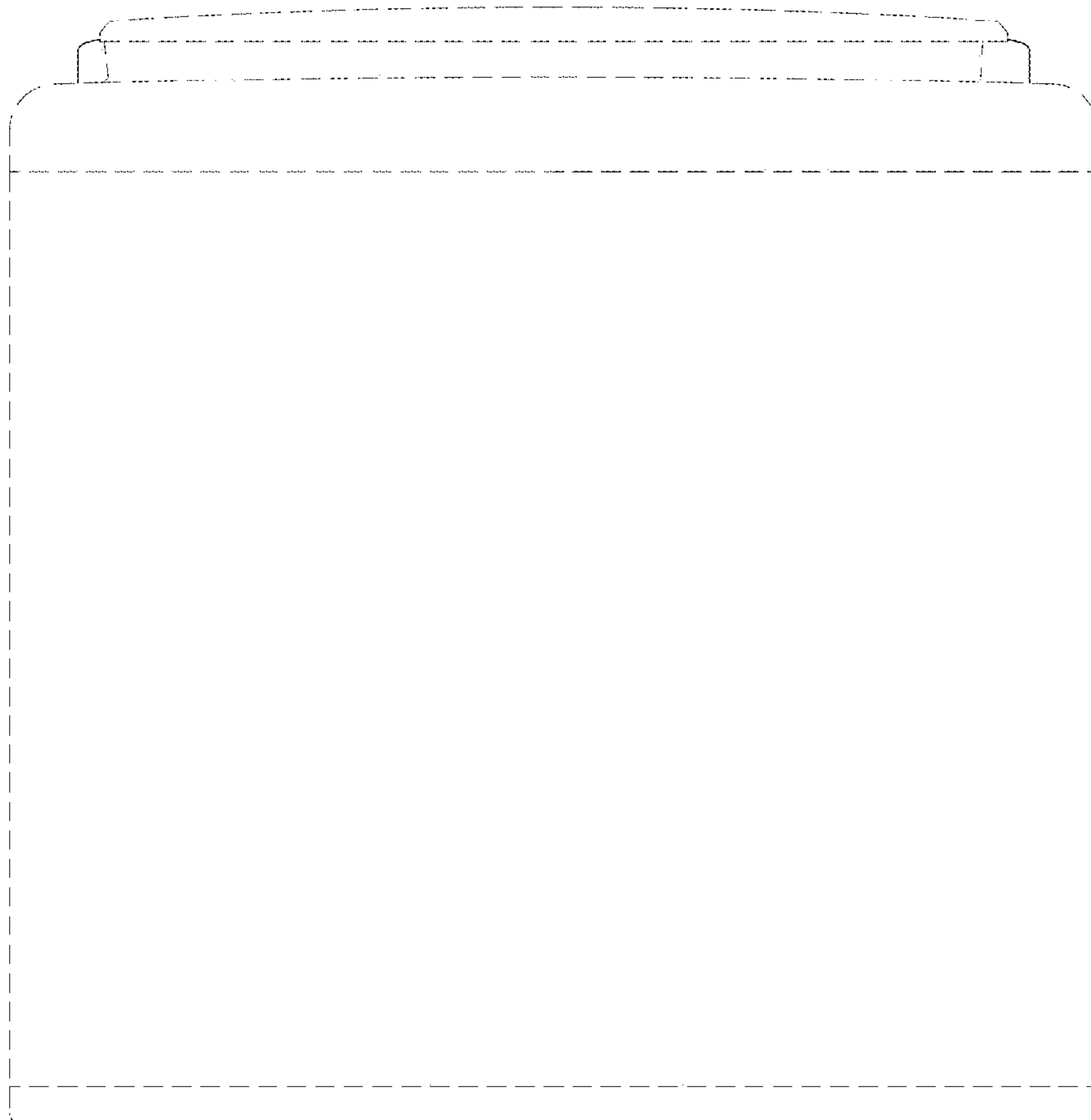


FIG. 8

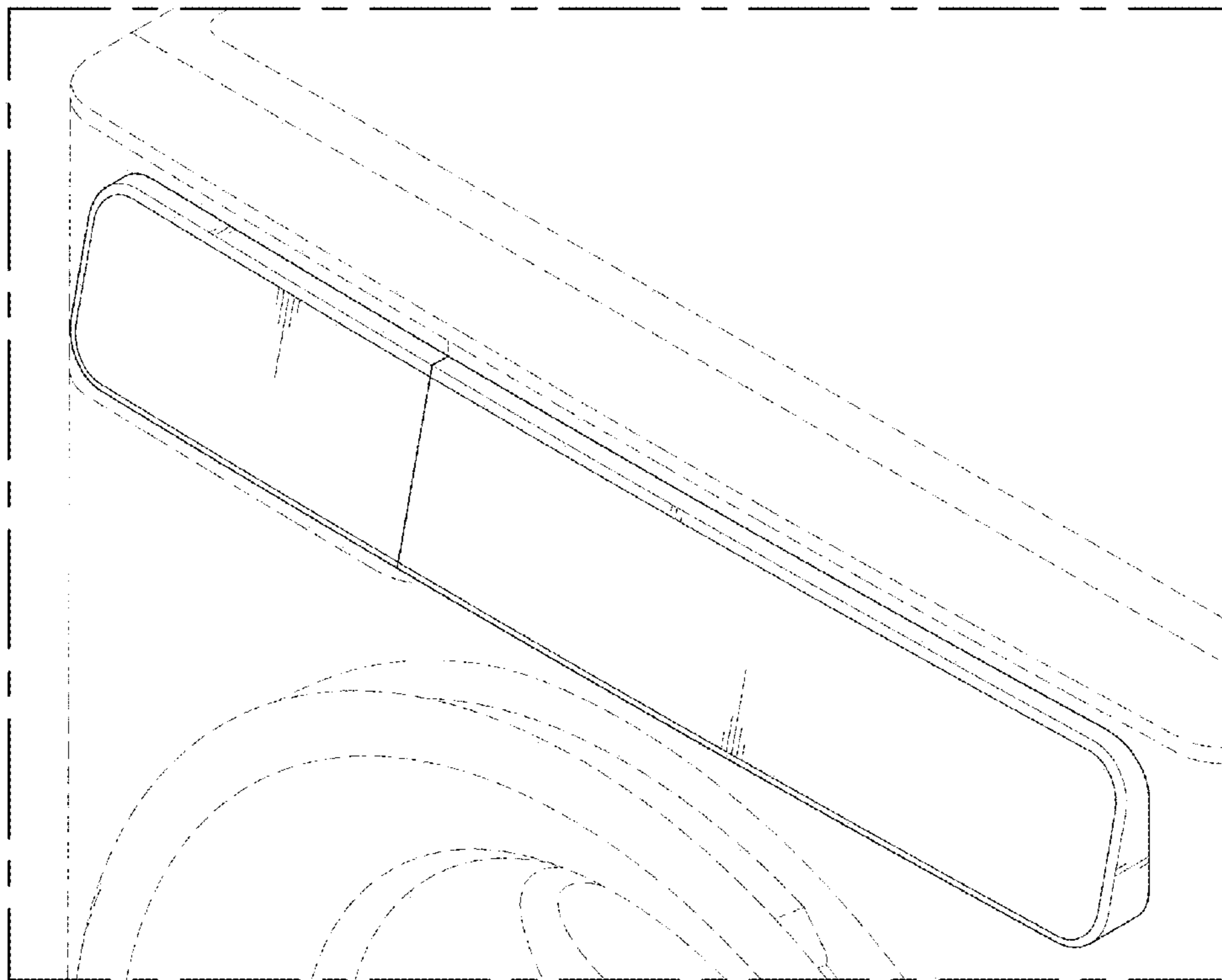


FIG. 9

