



US00D749805S

(12) **United States Design Patent**  
**Janik et al.**

(10) **Patent No.:** **US D749,805 S**  
(45) **Date of Patent:** **\*\* Feb. 16, 2016**

- (54) **PRESSURE WASHER**
- (71) Applicant: **Briggs & Stratton Corporation**,  
Wauwatosa, WI (US)
- (72) Inventors: **Paul Anthony Janik**, Saukville, WI  
(US); **Bart Mayer**, Allenton, WI (US)
- (73) Assignee: **Briggs & Stratton Corporation**,  
Wauwatosa, WI (US)

- D570,777 S 6/2008 Glass et al.
- 7,482,706 B2 1/2009 Uchimi et al.
- D591,014 S 4/2009 Li
- D596,367 S 7/2009 Katz
- D597,485 S 8/2009 Ma
- D597,945 S 8/2009 Takamura
- D600,205 S 9/2009 Imai
- D617,269 S 6/2010 van Deursen
- D622,471 S 8/2010 Hernandez

(Continued)

(\*\*) Term: **14 Years**

(21) Appl. No.: **29/469,215**

(22) Filed: **Oct. 8, 2013**

(51) **LOC (10) Cl.** ..... **15-05**

(52) **U.S. Cl.**  
USPC ..... **D32/16**

(58) **Field of Classification Search**  
USPC ..... D32/15, 16, 1, 17-18; D23/225  
CPC .. B05B 7/2437; B05B 9/0838; B05B 7/2424;  
B05B 7/2427; B05B 7/2429; B05B 7/2432  
See application file for complete search history.

(56) **References Cited**

**U.S. PATENT DOCUMENTS**

- D280,318 S 8/1985 Barone
- 4,721,070 A 1/1988 Tanaka et al.
- 5,977,667 A 11/1999 Hirose
- D420,473 S 2/2000 Shero
- D496,764 S 9/2004 Lopano
- D499,848 S \* 12/2004 Leasure ..... D32/15
- D520,948 S 5/2006 Xiao
- D528,714 S \* 9/2006 Hong ..... D32/15
- 7,159,272 B2 1/2007 Holsten et al.
- 7,232,018 B1 6/2007 Salander
- D549,904 S 8/2007 Eccardt et al.
- D551,814 S 9/2007 Renner
- D565,269 S 3/2008 Tomasiak et al.

**FOREIGN PATENT DOCUMENTS**

GB 4 021 427 10/2011

*Primary Examiner* — T. Chase Nelson

*Assistant Examiner* — Michelle E Wilson

(74) *Attorney, Agent, or Firm* — Foley & Lardner LLP

(57) **CLAIM**

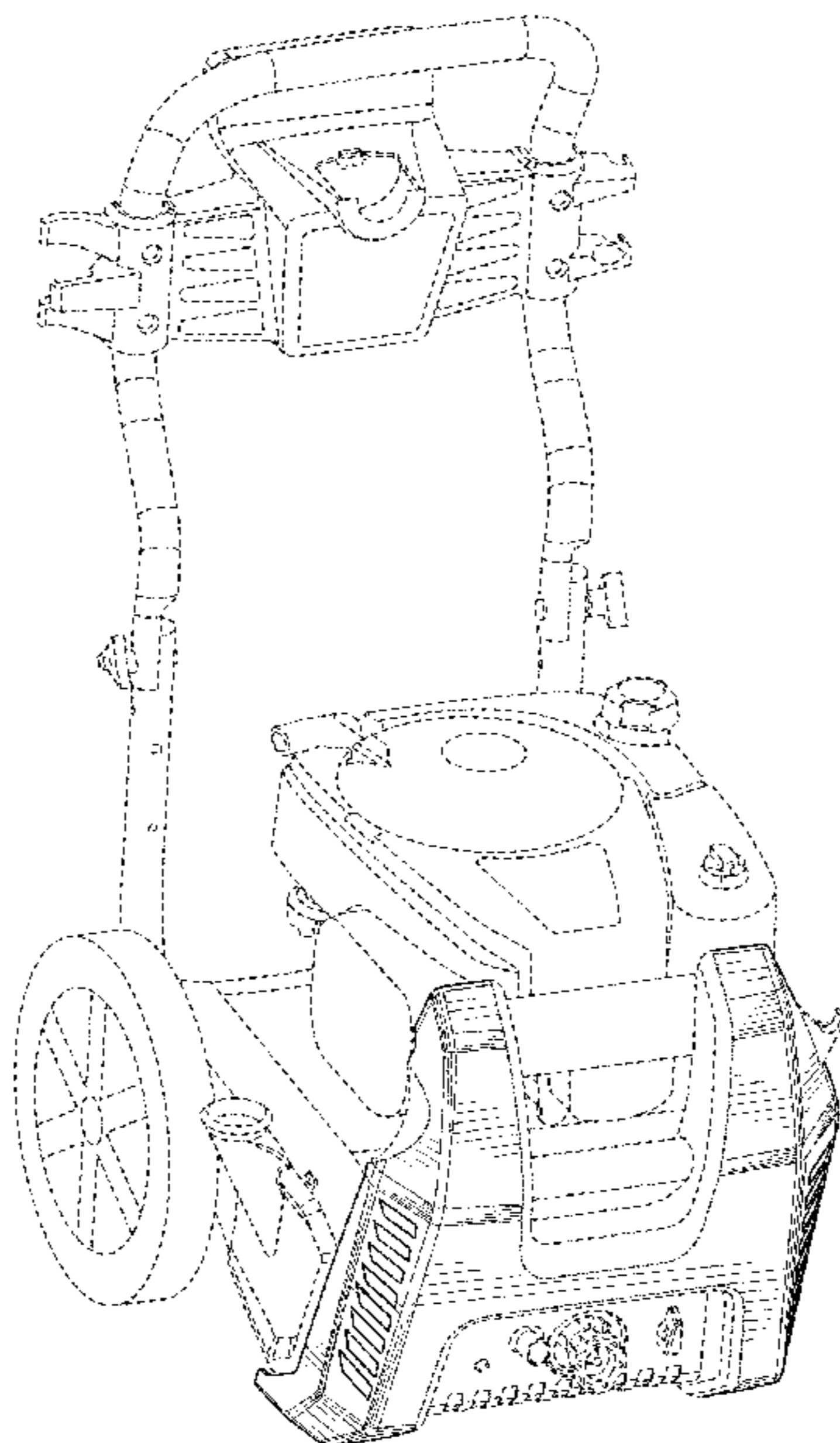
We claim the ornamental design for a pressure washer, as shown and described.

**DESCRIPTION**

FIG. 1 is a front perspective view from above of the claimed design according to one embodiment;  
 FIG. 2 is a front view of the claimed design of FIG. 1;  
 FIG. 3 is a rear view of the claimed design of FIG. 1;  
 FIG. 4 is a right side view of the claimed design of FIG. 1;  
 FIG. 5 is a left side view of the claimed design of FIG. 1;  
 FIG. 6 is a top view of the claimed design of FIG. 1; and,  
 FIG. 7 is a bottom view of the claimed design of FIG. 1.

The broken lines in the drawings are for illustrative purposes only and form no part of the claimed design. Broken lines formed by equal length dashes show unclaimed portions of the design. Broken lines formed of unequal length dashes (i.e., dash-dot) show boundaries between claimed and unclaimed portions of the design.

**1 Claim, 7 Drawing Sheets**



(56)

References Cited

U.S. PATENT DOCUMENTS

D629,748 S 12/2010 van Deursen  
 D630,851 S 1/2011 Landau et al.  
 D633,263 S 2/2011 Fay  
 7,883,096 B2 2/2011 Katz et al.  
 D633,443 S 3/2011 Wang et al.  
 D634,083 S 3/2011 Fay  
 D634,414 S 3/2011 Wolfe et al.  
 D644,993 S 9/2011 Van Deursen  
 D646,853 S 10/2011 Alexander et al.  
 D647,261 S 10/2011 Schultz et al.  
 D648,493 S 11/2011 Alexander et al.  
 D650,739 S 12/2011 Cai  
 D660,525 S 5/2012 Alexander et al.  
 D661,438 S \* 6/2012 Alexander et al. .... D32/15  
 D662,881 S 7/2012 He et al.  
 8,210,133 B2 7/2012 Hirose et al.  
 D667,464 S 9/2012 Tiefenthaler

D668,607 S 10/2012 Van Deursen  
 D675,796 S 2/2013 Benacquisto et al.  
 D688,628 S 8/2013 Van Deursen  
 D688,841 S 8/2013 Van Deursen  
 D703,137 S 4/2014 Van Deursen  
 D704,137 S 5/2014 Shokrzadeh et al.  
 D711,319 S 8/2014 Wilcox  
 D711,603 S \* 8/2014 Alenxander et al. .... D32/16  
 D728,872 S \* 5/2015 Alexander et al. .... D32/15  
 2005/0189437 A1 \* 9/2005 Alexander et al. .... 239/332  
 2006/0102745 A1 \* 5/2006 Dexter ..... 239/146  
 2008/0115307 A1 5/2008 Phelan et al.  
 2008/0245425 A1 \* 10/2008 Alexander ..... 137/565.13  
 2009/0322100 A1 12/2009 Hiranuma et al.  
 2011/0081261 A1 \* 4/2011 Klika et al. .... 417/364  
 2014/0026828 A1 1/2014 Kojima et al.  
 2014/0037467 A1 \* 2/2014 Raasch ..... 417/76  
 2014/0256245 A1 9/2014 Qian  
 2015/0102121 A1 \* 4/2015 Dey et al. .... 239/1

\* cited by examiner

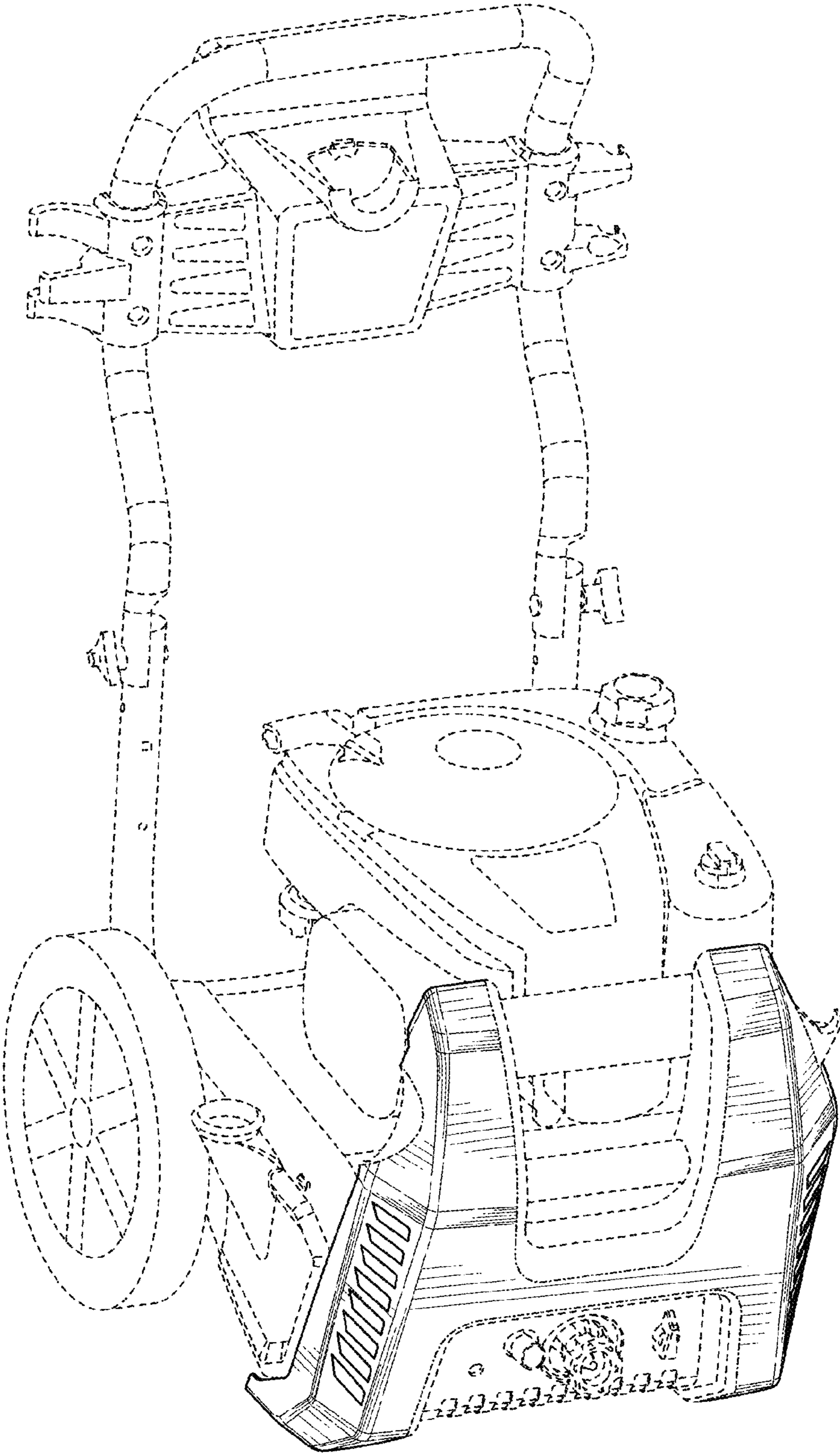


FIG. 1

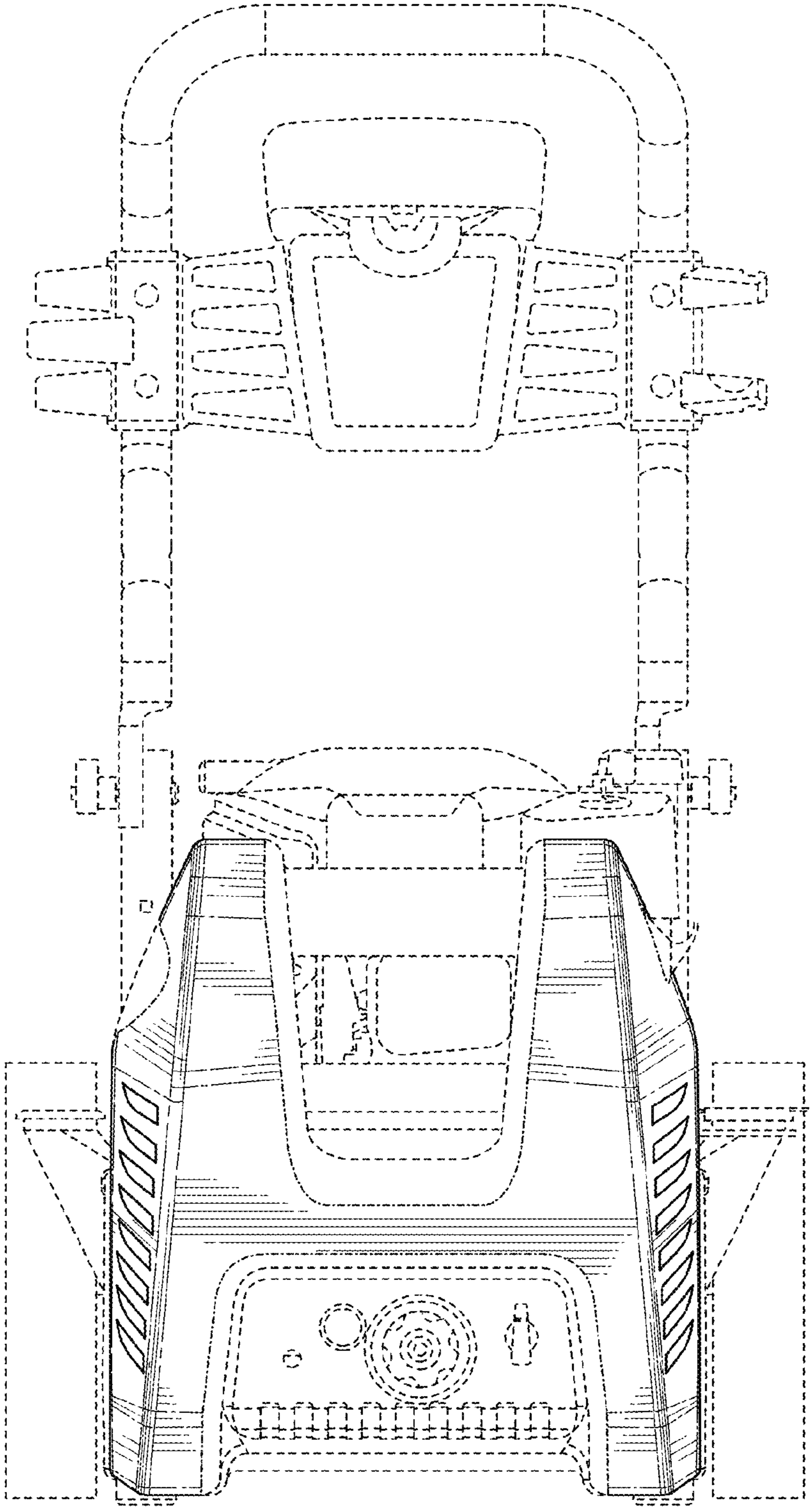


FIG. 2

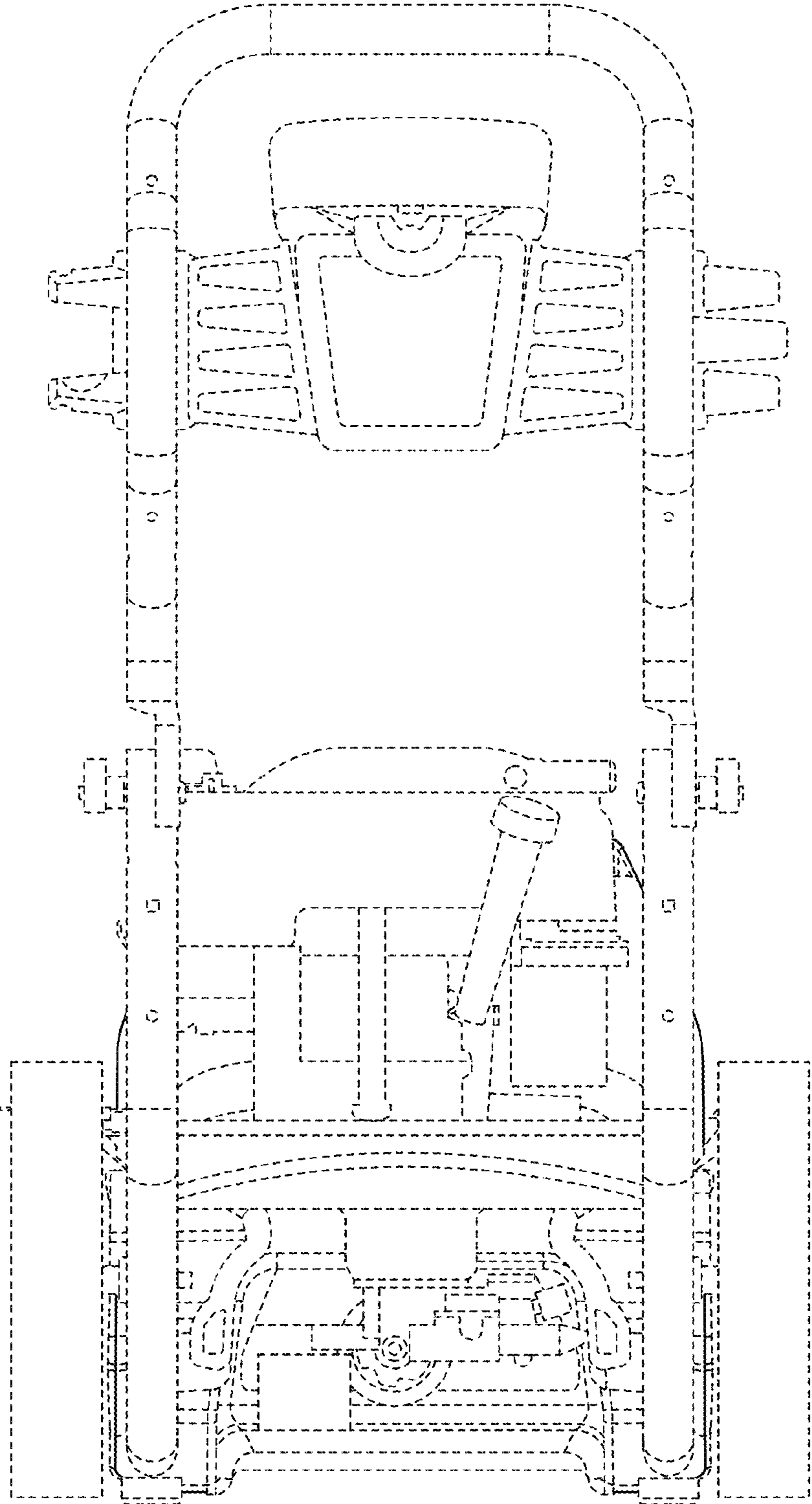


FIG. 3

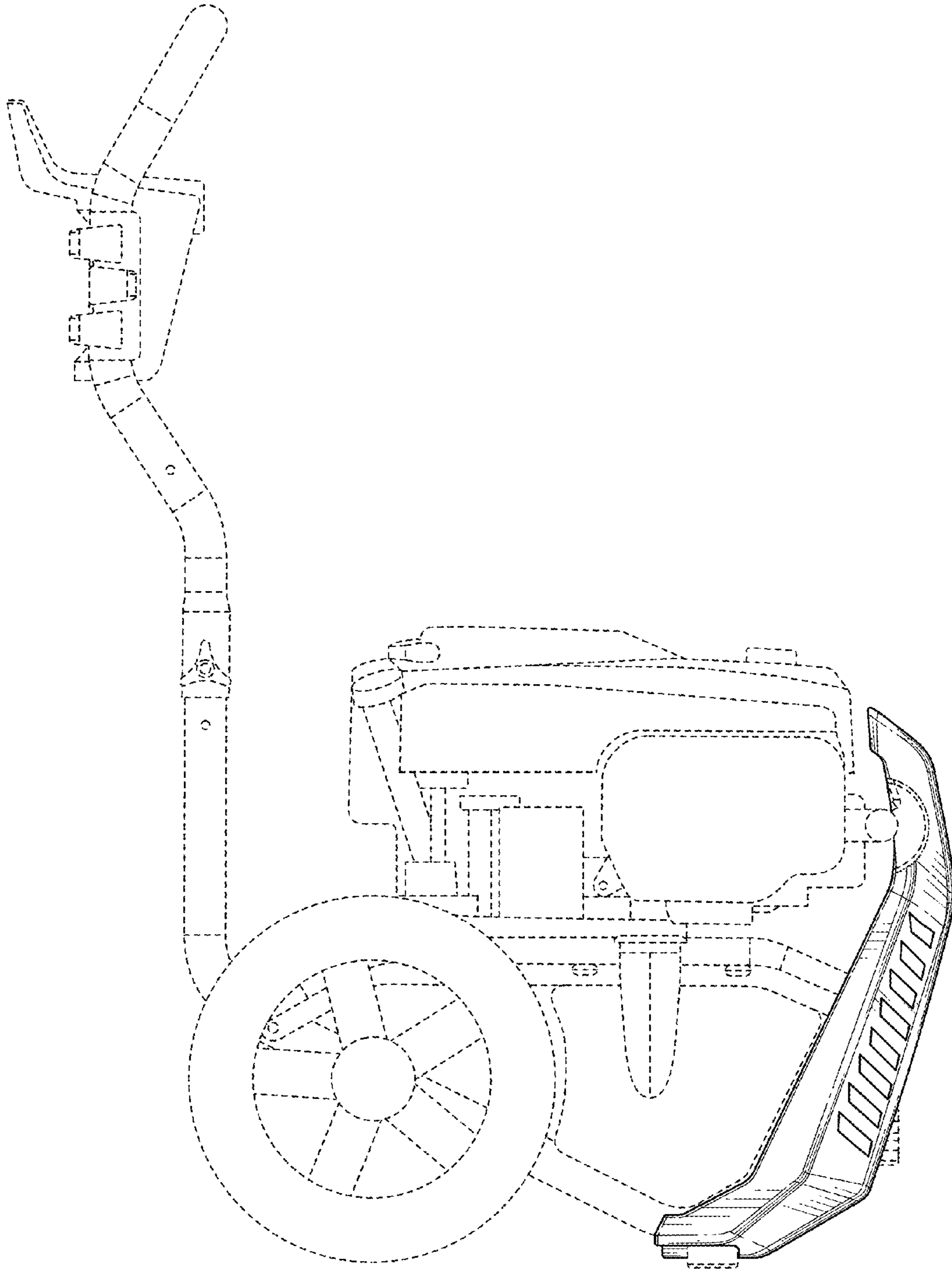


FIG. 4

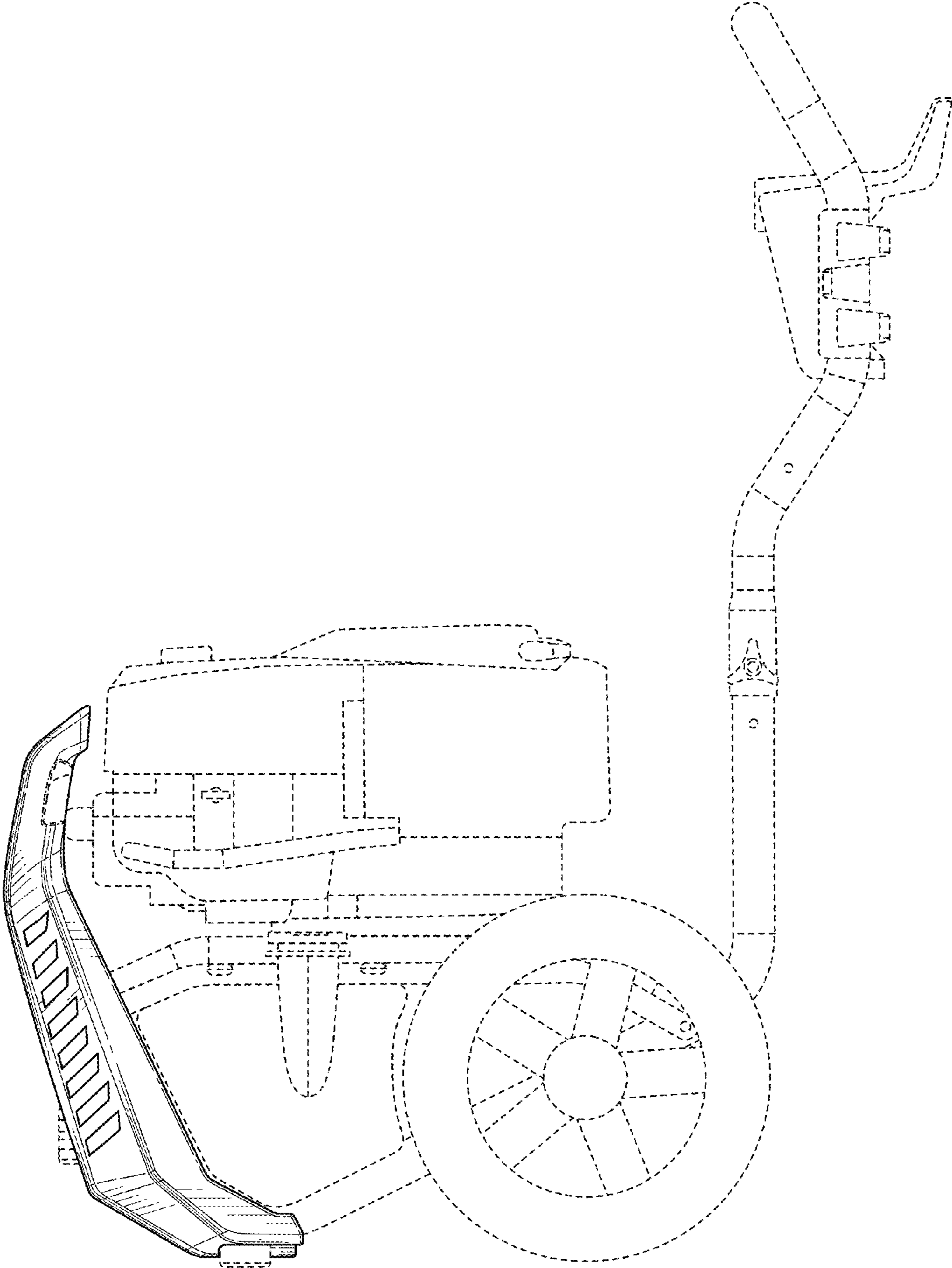


FIG. 5

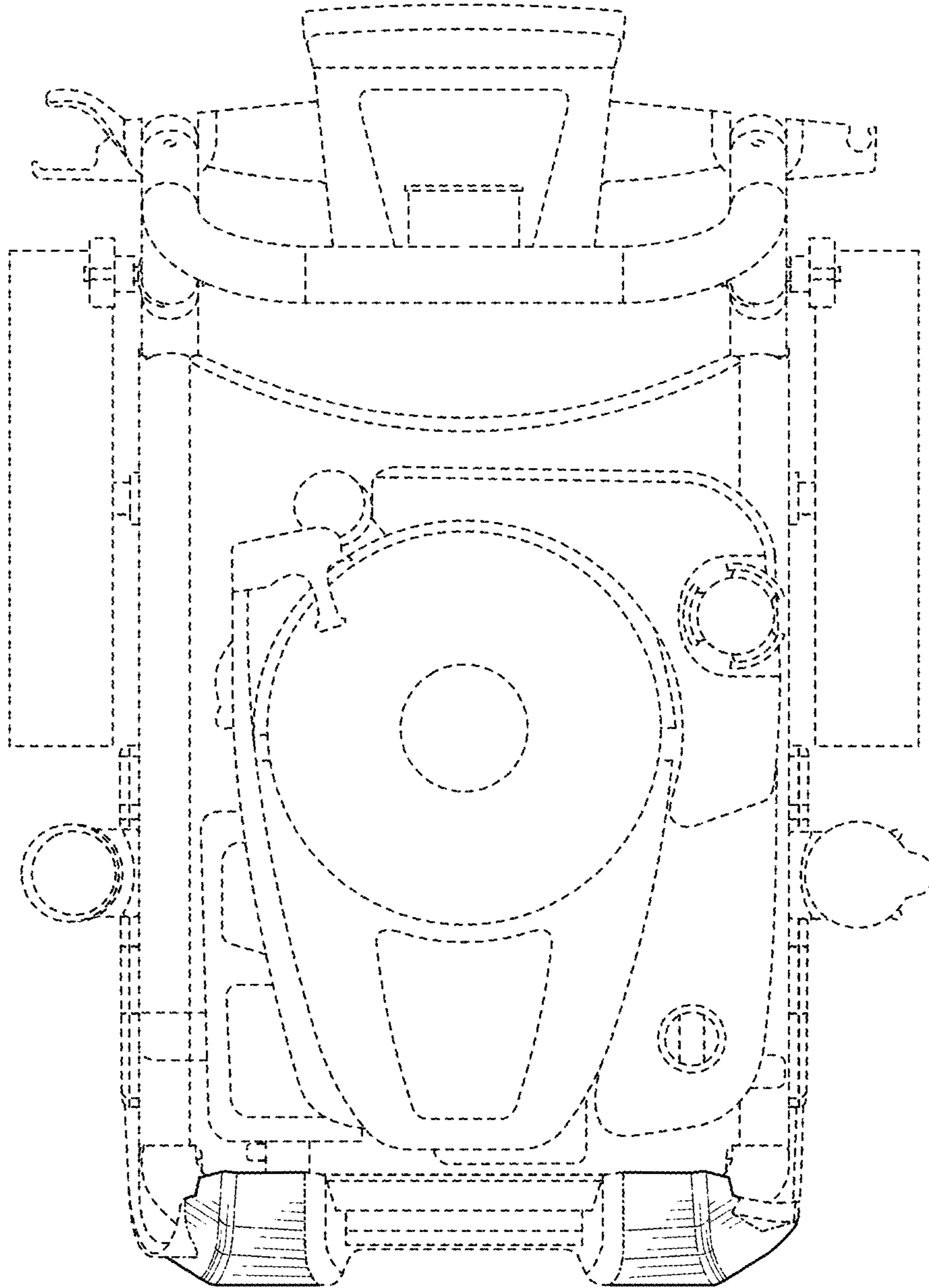


FIG. 6



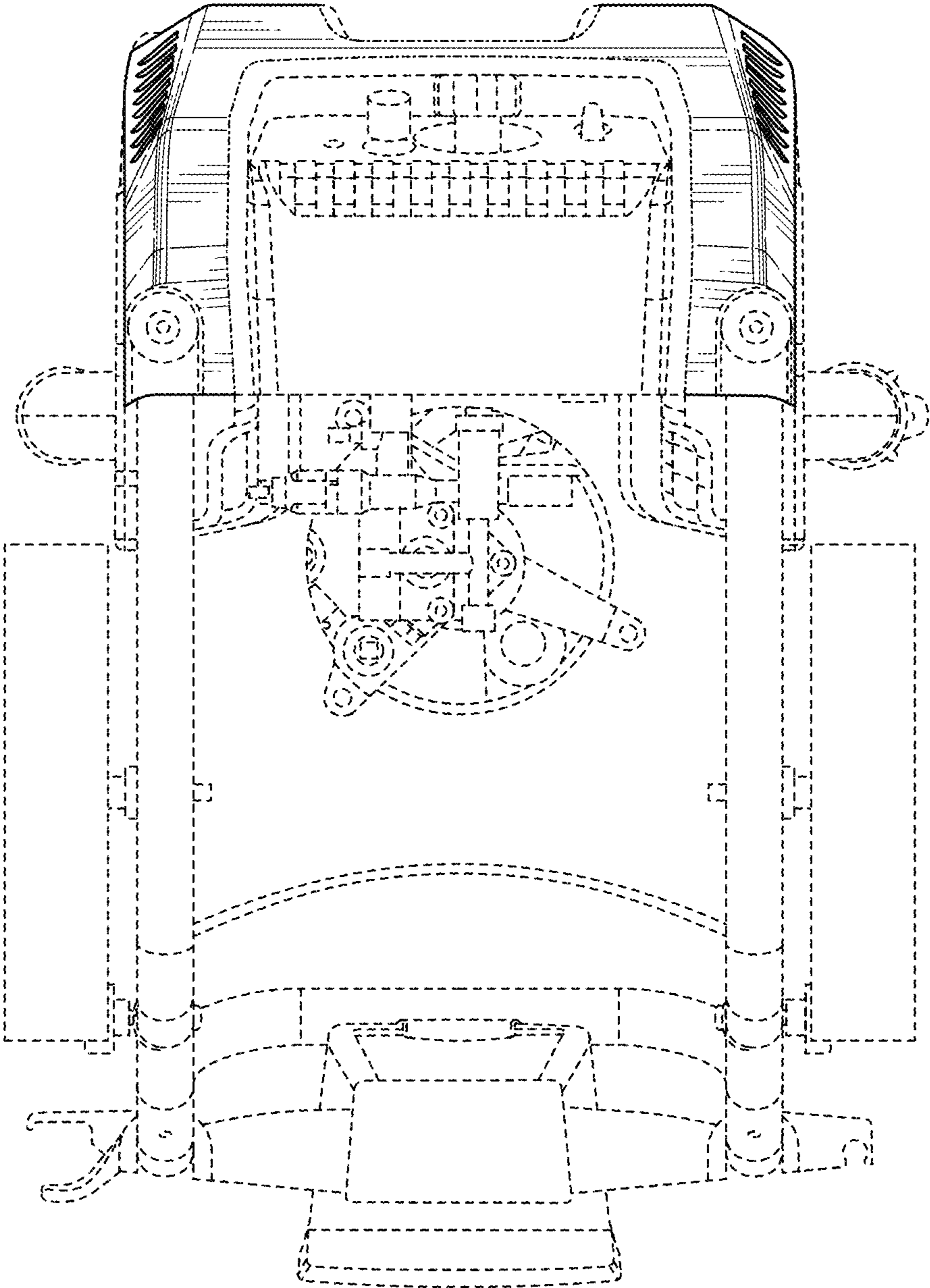


FIG. 7