



US00D749804S

(12) **United States Design Patent**
Ha et al.

(10) **Patent No.:** **US D749,804 S**
(45) **Date of Patent:** **** *Feb. 16, 2016**

(54) **WASHING MACHINE**

(71) Applicant: **LG Electronics Inc.**, Seoul (KR)

(72) Inventors: **Youngsoo Ha**, Seoul (KR); **Jonghee Han**, Gyeonggi-do (KR); **Jeaseok Seong**, Gyeonggi-do (KR); **On Kim**, Seoul (KR); **Hyerim An**, Seoul (KR); **Kyungah Lee**, Gyeonggi-do (KR)

(73) Assignee: **LG Electronics Inc.**, Seoul (KR)

(*) Notice: This patent is subject to a terminal disclaimer.

(**) Term: **14 Years**

(21) Appl. No.: **29/464,637**

(22) Filed: **Aug. 20, 2013**

(30) **Foreign Application Priority Data**

May 9, 2013 (KR) 30-2013-0024618

(51) **LOC (10) Cl.** **15-05**

(52) **U.S. Cl.**
USPC **D32/6**

(58) **Field of Classification Search**
USPC D32/6, 8, 25, 5, 28, 1, 12, 29; 34/553,
34/449, 596, 139, 602; 220/377; 68/3 R,
68/12.01, 12.08, 147, 12.09, 212
See application file for complete search history.

(56) **References Cited**

U.S. PATENT DOCUMENTS

D177,010 S * 3/1956 Boldt D32/6
D186,996 S * 1/1960 Romme D32/6
3,508,340 A * 4/1970 Kombol 34/553
D236,152 S * 7/1975 Yamamoto D32/8
4,934,559 A * 6/1990 Putnam 220/377
D456,572 S * 4/2002 Resuello et al. D32/6
D459,844 S * 7/2002 Baldwin et al. D32/6

D501,966 S * 2/2005 Hwang D32/25
D515,260 S * 2/2006 Ha et al. D32/25
7,003,897 B1 * 2/2006 Lingle et al. 34/499
D517,255 S * 3/2006 Kim et al. D32/5
D517,262 S * 3/2006 Ha et al. D32/25
D519,248 S * 4/2006 Kim et al. D32/6

(Continued)

FOREIGN PATENT DOCUMENTS

RU 2007501072 * 2/2009
RU 00082379 * 7/2012

(Continued)

OTHER PUBLICATIONS

Super Mom Smashes Washing Machine After Realizing Her Daughter Is Inside, Announced Nov. 9, 2015, [Site Visited Apr. 22, 2015].*

(Continued)

Primary Examiner — Eric Goodman

Assistant Examiner — Luqman McNeil

(74) *Attorney, Agent, or Firm* — Morgan, Lewis & Bockius LLP

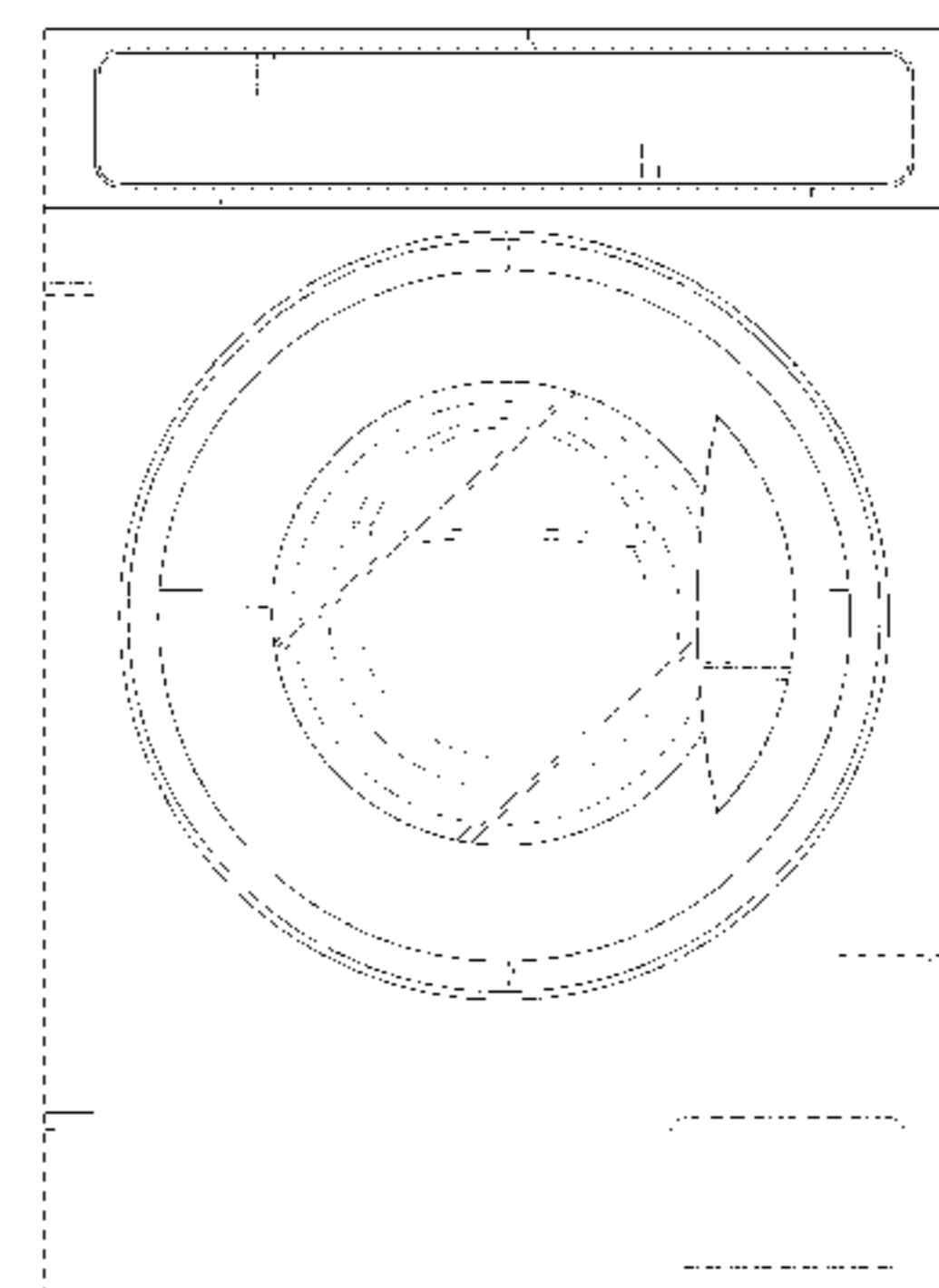
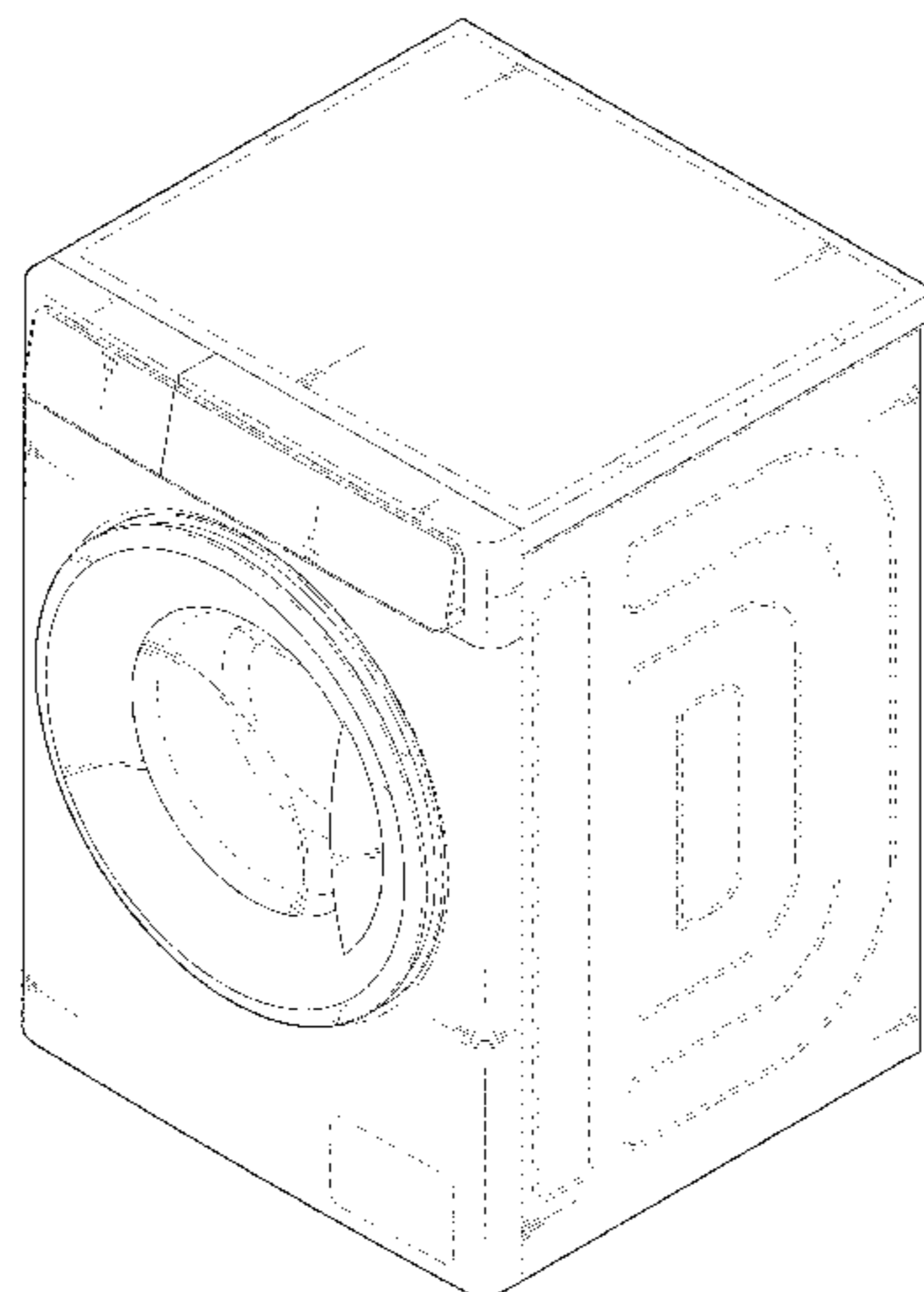
(57) **CLAIM**

The ornamental design for a washing machine, as shown and described.

DESCRIPTION

FIG. 1 is a perspective view of a washing machine showing our new design;
FIG. 2 is a front view thereof;
FIG. 3 is a rear view thereof;
FIG. 4 is a left side view thereof;
FIG. 5 is a right side view thereof;
FIG. 6 is a top plan view thereof; and,
FIG. 7 is a bottom plan view thereof.
The broken line showing is included for the purpose of illustrating portions of the washing machine and forms no part of the claimed design.

1 Claim, 7 Drawing Sheets



(56)

References Cited

U.S. PATENT DOCUMENTS

D525,753 S * 7/2006 Schoene D32/25
 D528,712 S * 9/2006 Ha et al. D32/6
 D542,987 S * 5/2007 Crookshanks D32/6
 D544,157 S * 6/2007 Crookshanks D32/25
 D549,896 S * 8/2007 Suh D32/6
 D549,901 S * 8/2007 Kwon et al. D32/6
 D550,907 S * 9/2007 Jeon et al. D32/6
 D552,807 S * 10/2007 Jeon et al. D32/6
 7,313,933 B2 * 1/2008 Carey et al. 68/3 R
 D589,217 S * 3/2009 Park et al. D32/6
 D595,908 S * 7/2009 Park et al. D32/6
 7,698,910 B2 * 4/2010 Kim et al. 68/12.01
 D617,960 S * 6/2010 Bohm et al. D32/6
 D618,866 S * 6/2010 Lee D32/6
 D622,918 S * 8/2010 Choi et al. D32/25
 D628,755 S * 12/2010 Helot et al. D32/5
 D653,822 S * 2/2012 Geyer et al. D32/6
 D659,307 S * 5/2012 Geyer et al. D32/6

FOREIGN PATENT DOCUMENTS

SI 9950010-0001 * 4/1999
 SI 200250072-0001 * 8/2002

OTHER PUBLICATIONS

AEG Protex—Welded Tub?, Announced Sep. 3, 2011, [Site Visited Apr. 22, 2015] <http://www.automaticwasher.org/cgi-bin/TD/TD-VIEWTHREAD.cgi?36229>.
 Washer and Dryer Repair in Princeton NJ <<Appliance Doctor, Announced Jul. 1, 2010, [Site Visited Apr. 22, 2015] <http://appliancerepairprincetonnj.info/washer-and-dryer-repair/>.
 Samsung Washing Machine Price List, Announced Oct. 11, 2011, [Site Visited Apr. 22, 2015] <http://priceinfoworld.com/electronics/samsung-washing-machine-price-in-india>.
 V-ZUG Adora SLQ Washer, Announced Apr. 22, 2015, [Site Visited Apr. 22, 2015] http://housedesignnewsworld.blogspot.com/2011/07/homeditcom-interior-design-architecture_20.html.

* cited by examiner

FIG. 1

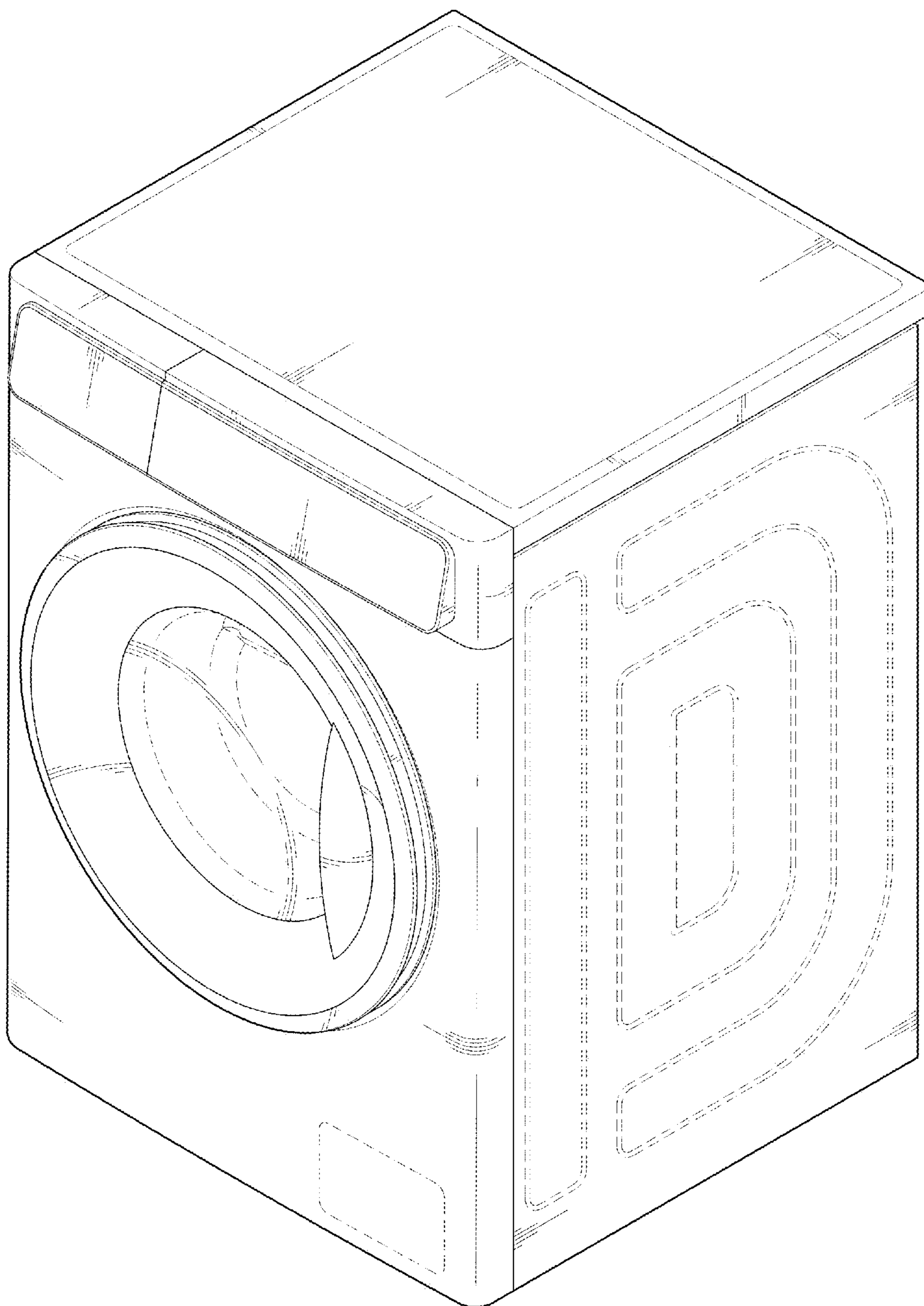


FIG. 2

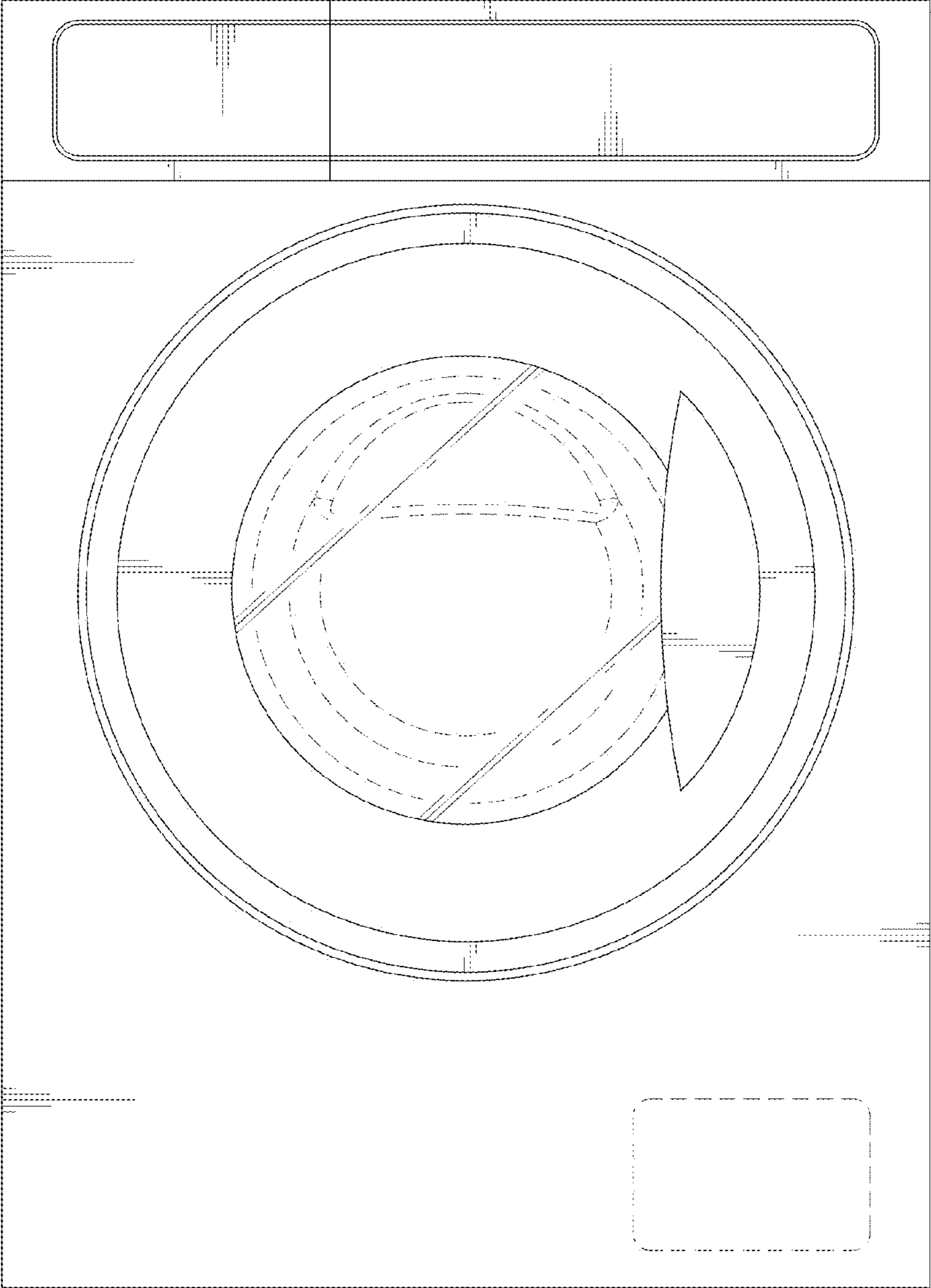


FIG. 3

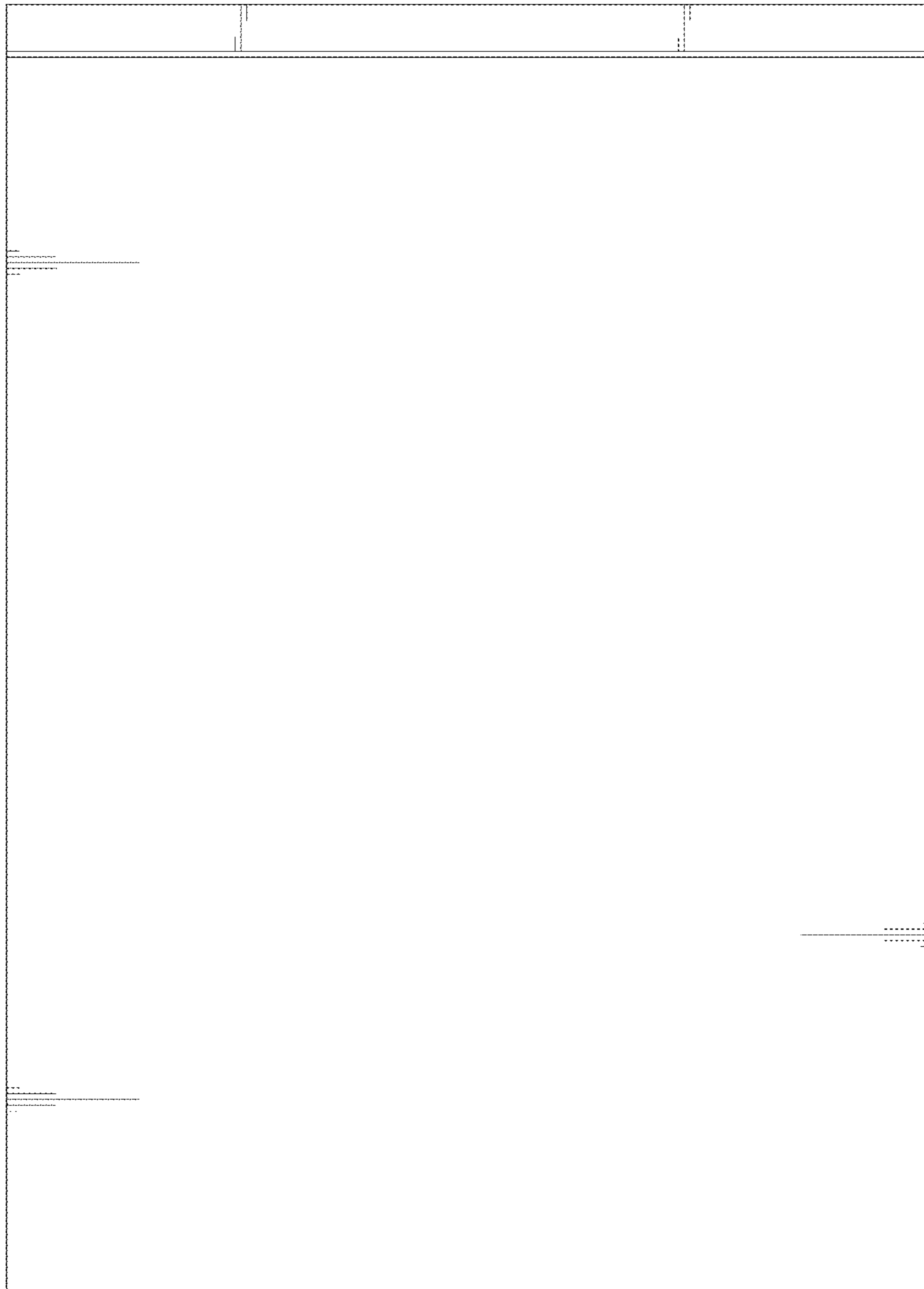


FIG. 4

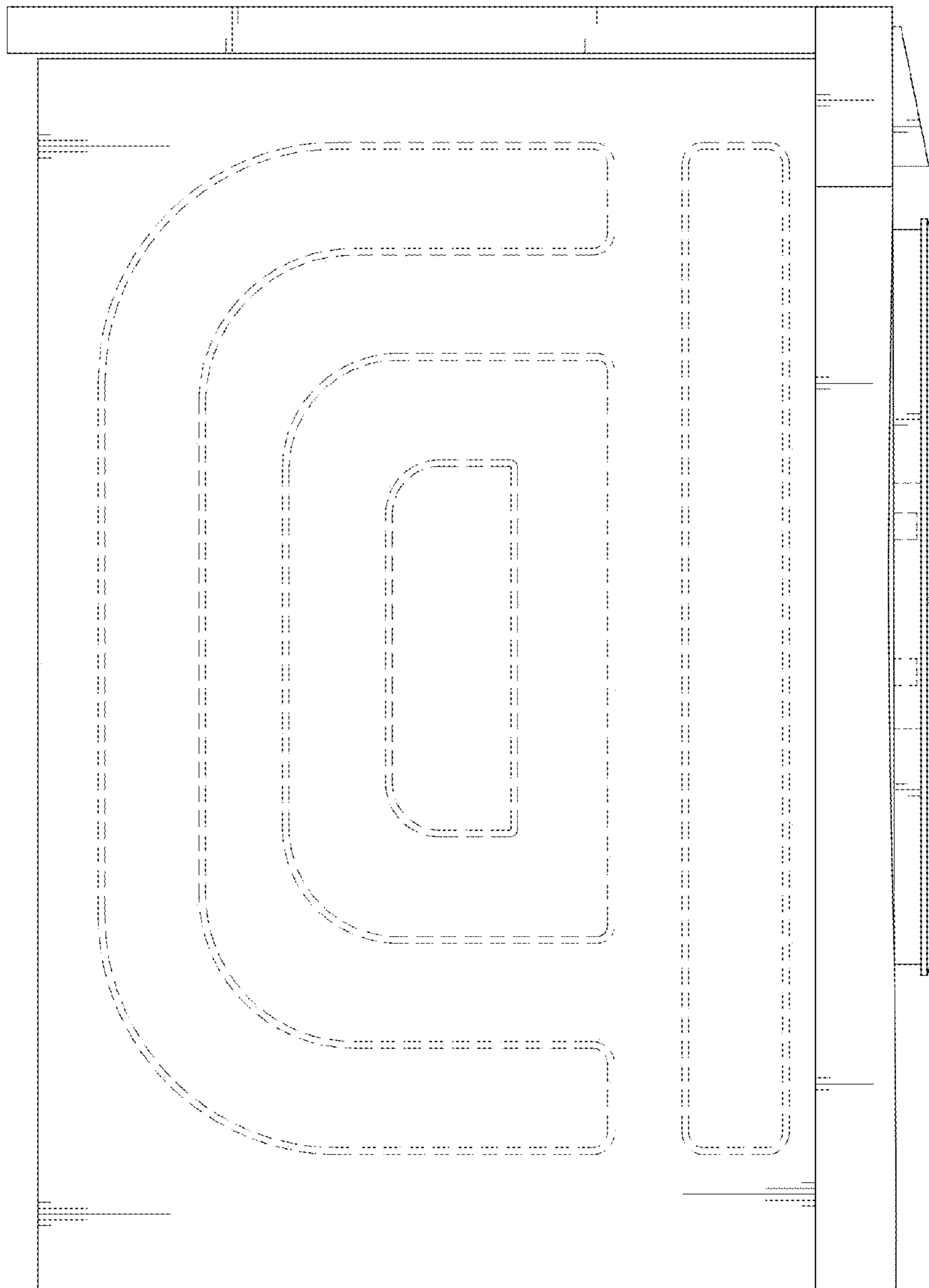


FIG. 5

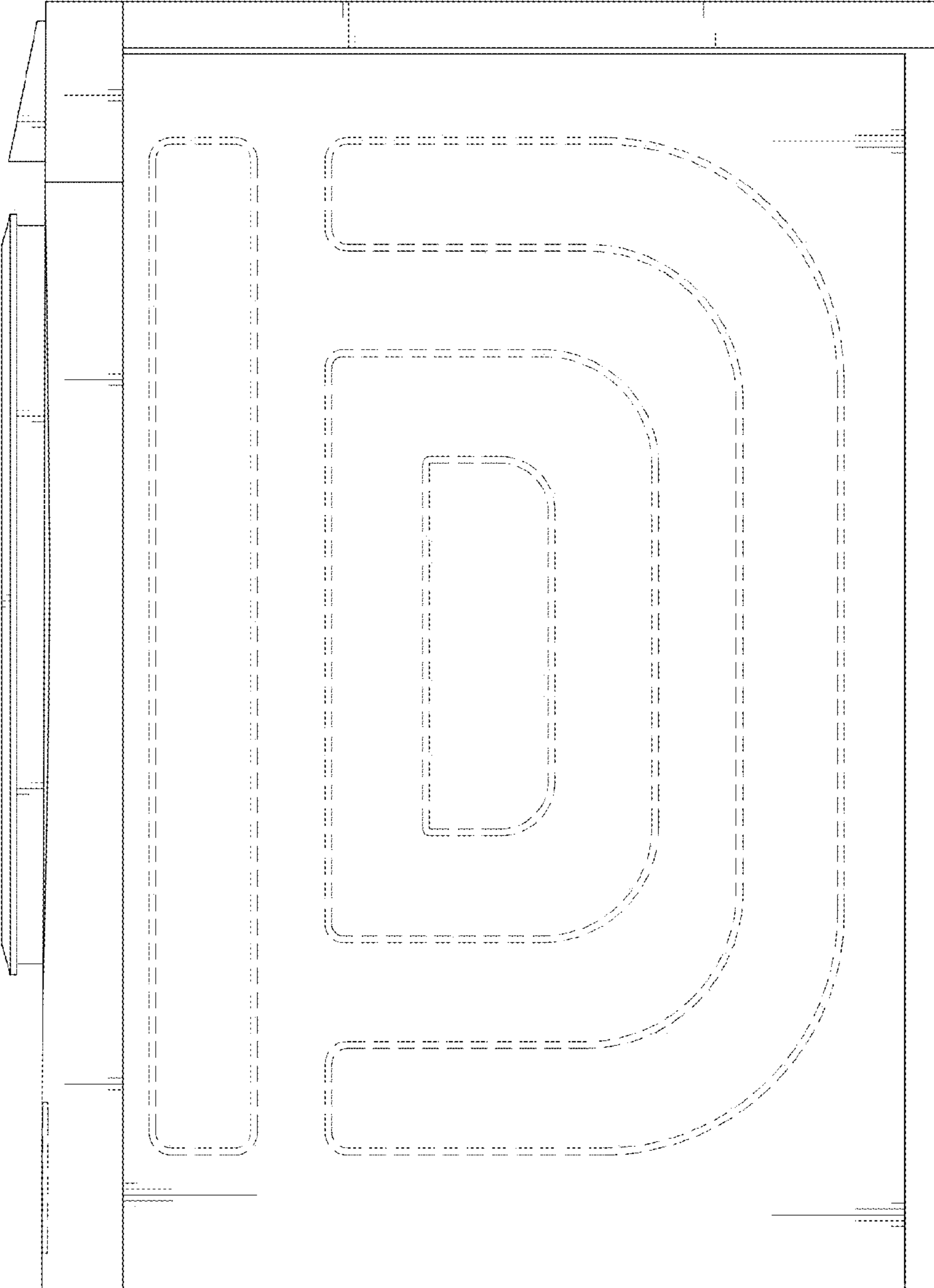


FIG. 6

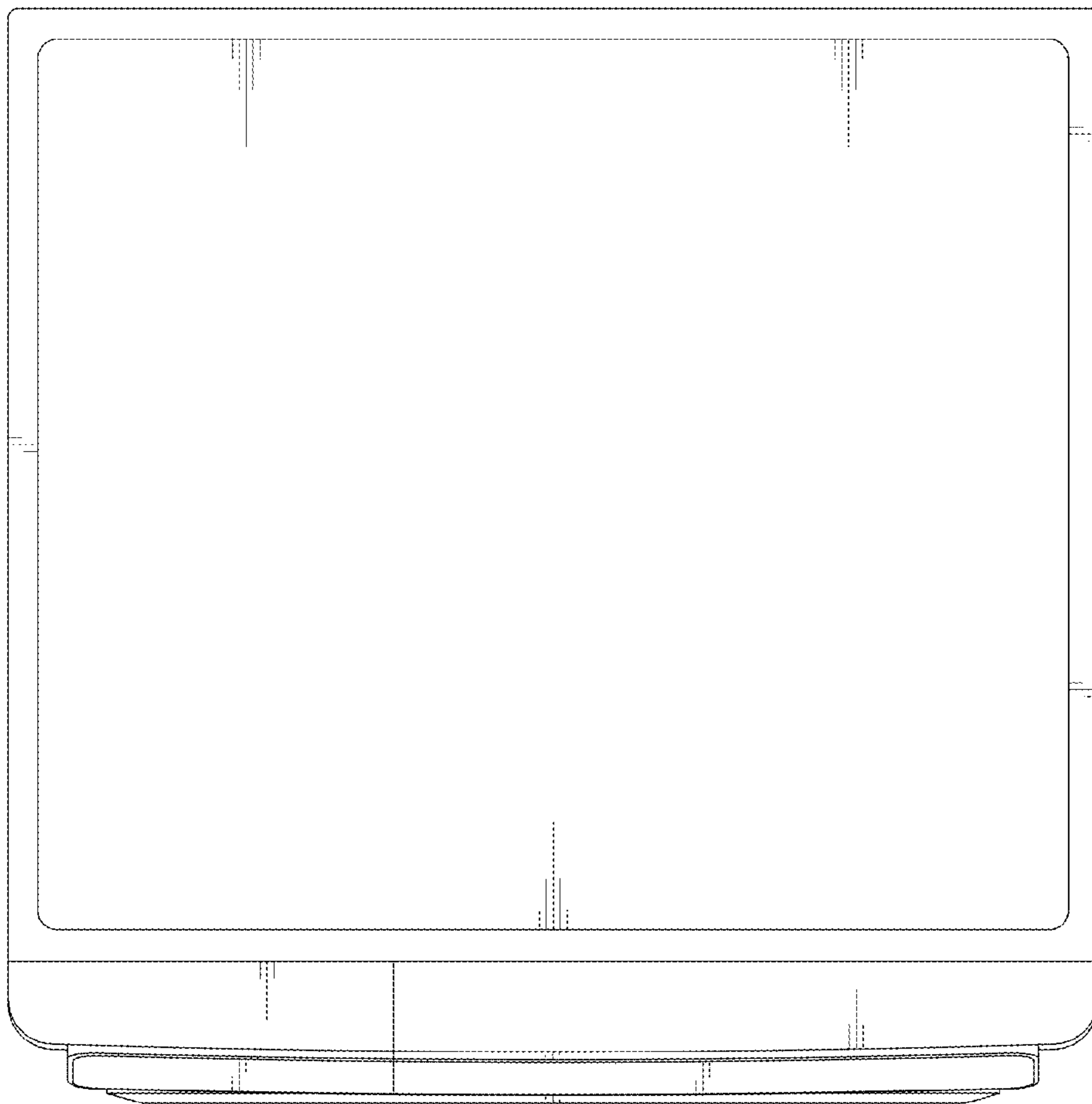


FIG. 7

