



US00D749803S

(12) **United States Design Patent**
Urbanczyk

(10) **Patent No.:** **US D749,803 S**

(45) **Date of Patent:** **** Feb. 16, 2016**

(54) **PET RING**

(71) Applicant: **Adam Edward Urbanczyk**, Chicago, IL
(US)

(72) Inventor: **Adam Edward Urbanczyk**, Chicago, IL
(US)

(**) Term: **14 Years**

(21) Appl. No.: **29/482,227**

(22) Filed: **Feb. 15, 2014**

(51) **LOC (10) Cl.** **30-99**

(52) **U.S. Cl.**
USPC **D30/160**

(58) **Field of Classification Search**

USPC D30/160; D21/451, 457, 567; 119/702,
119/706-711; 446/46, 48, 276, 450, 453;
473/589; 601/134

CPC A01K 15/00; A01K 15/02; A01K 15/025;
A01K 27/00; A01K 29/00; A61F 7/00;
A61H 15/00; A62B 35/00; A62B 65/10;
A62B 67/06; A63H 27/00

See application file for complete search history.

(56) **References Cited**

U.S. PATENT DOCUMENTS

2,644,270 A * 7/1953 Marong 446/170
4,052,982 A * 10/1977 Ozeryansky D21/457
4,063,382 A * 12/1977 McCallum 446/48

4,127,271 A * 11/1978 Moustakas 273/336
4,946,173 A * 8/1990 Schlegel et al. 473/589
D337,134 S * 7/1993 Scruggs et al. D21/444
5,340,347 A * 8/1994 Yenerich 446/48
D386,105 S * 11/1997 Kornmann D11/4
5,816,879 A * 10/1998 Kyame 446/48
5,848,981 A * 12/1998 Herbranson 601/134
D425,267 S * 5/2000 Kengie D30/160
D445,146 S * 7/2001 Seo D21/457
6,606,967 B1 * 8/2003 Wolfe et al. 119/856
D510,968 S * 10/2005 Coleman et al. D21/710
D545,235 S * 6/2007 Carter-Smith et al. D11/27
D546,508 S * 7/2007 Robertson D30/160
D612,552 S * 3/2010 Matz D30/160
D637,368 S * 5/2011 Willinger et al. D30/160
D657,919 S * 4/2012 Papworth D30/160
D721,459 S * 1/2015 Smith D30/160
8,973,534 B2 * 3/2015 Taylor 119/707

* cited by examiner

Primary Examiner — Cathy Anne MacCormac

(57) **CLAIM**

The ornamental design for a pet ring, as shown and described.

DESCRIPTION

FIG. 1 is a perspective view of a pet ring.

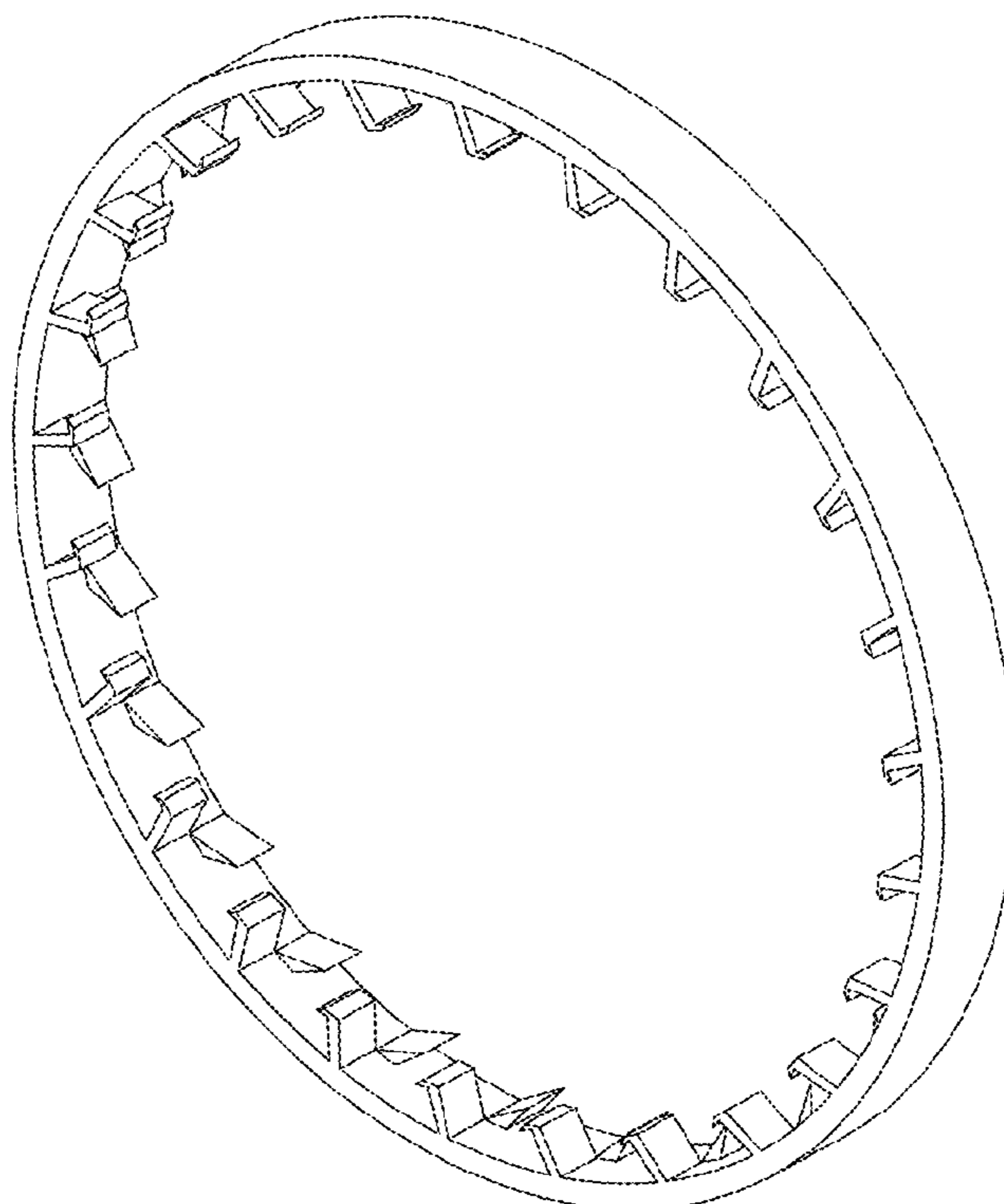
FIG. 2 is a partial enlarged cross-section view thereof taken along line 2-2 on FIG. 5.

FIG. 3 is a bottom view thereof;

FIG. 4 is a side view thereof; and,

FIG. 5 is a top view thereof.

1 Claim, 2 Drawing Sheets



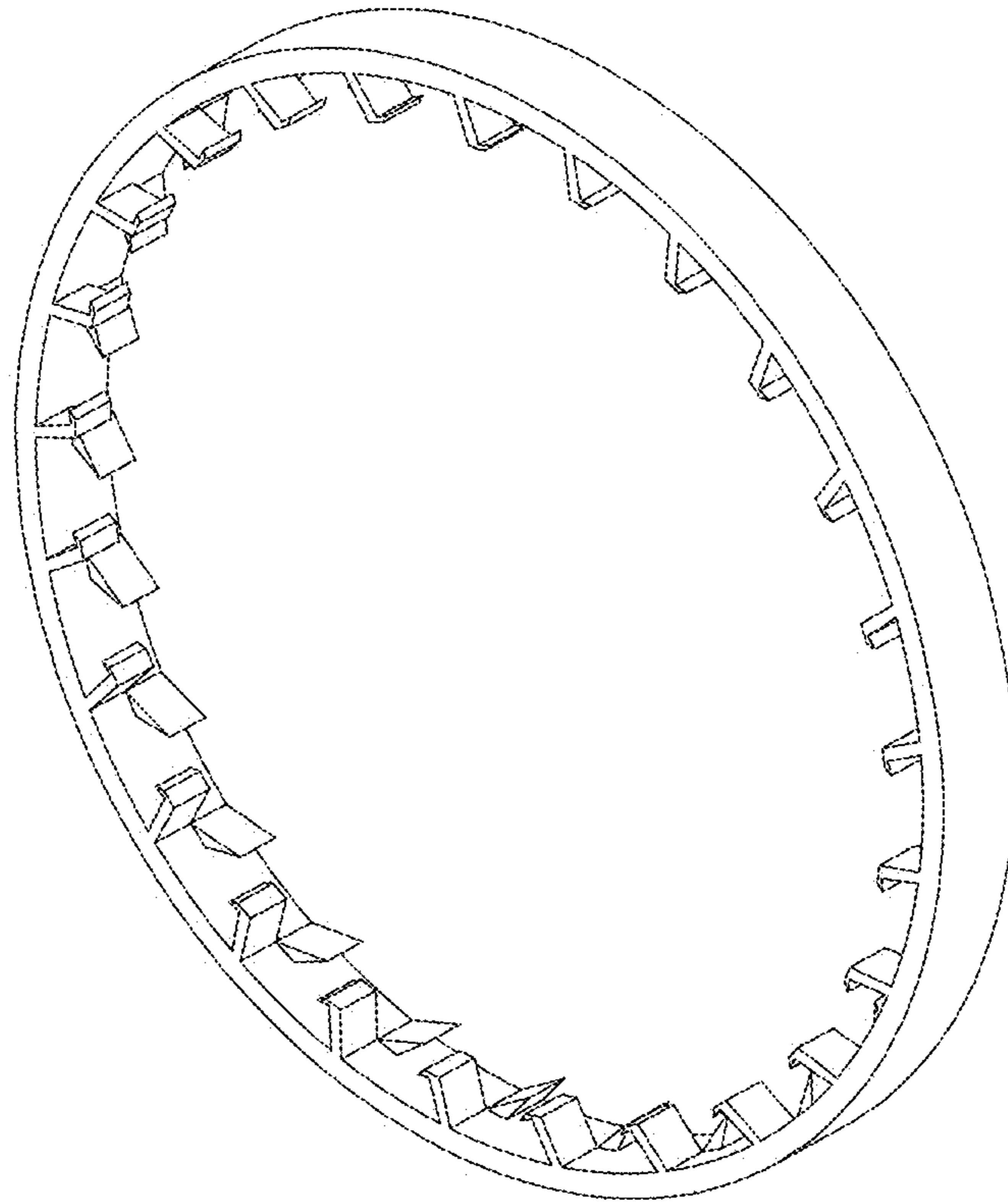


FIG. 1

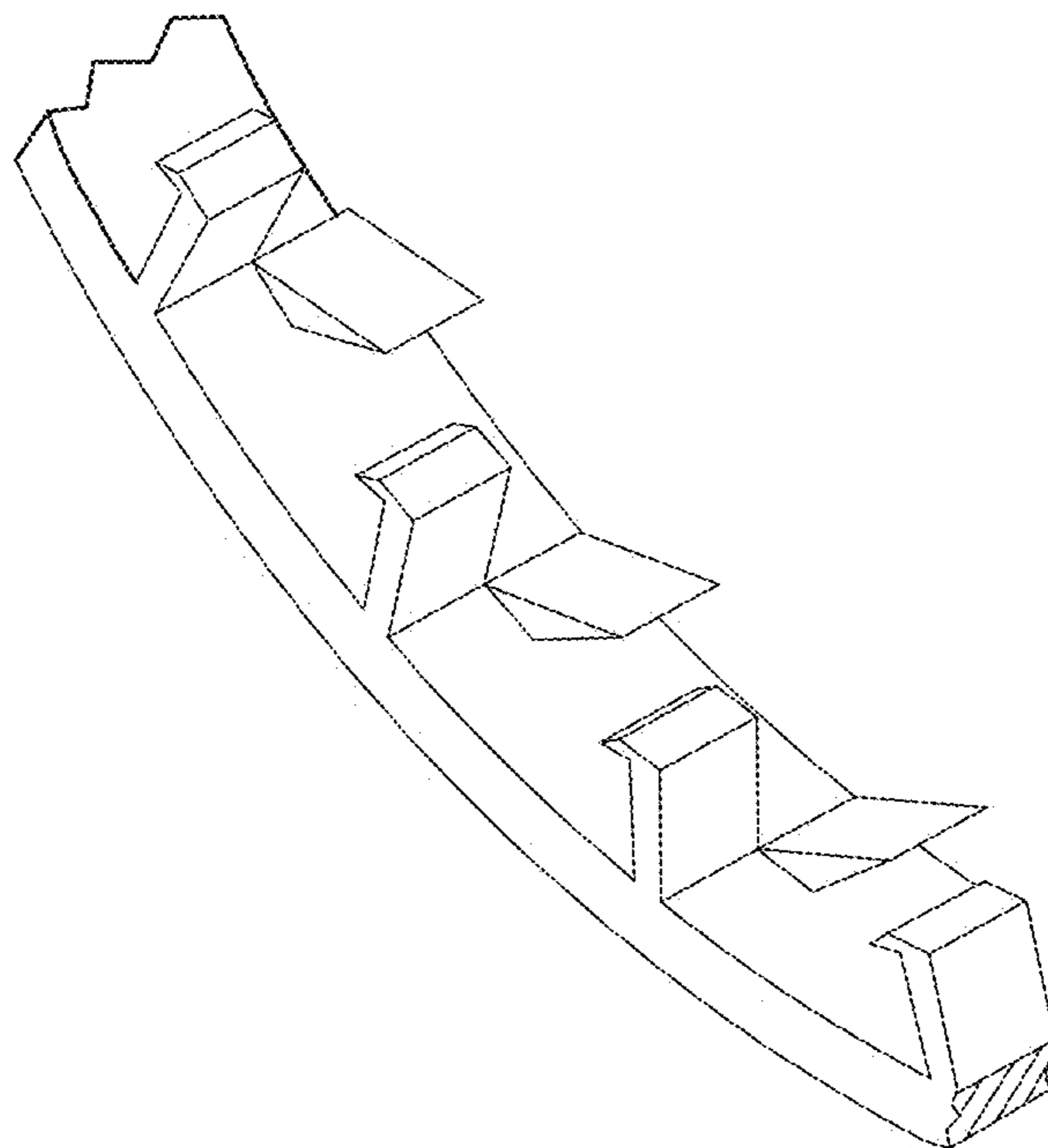


FIG. 2

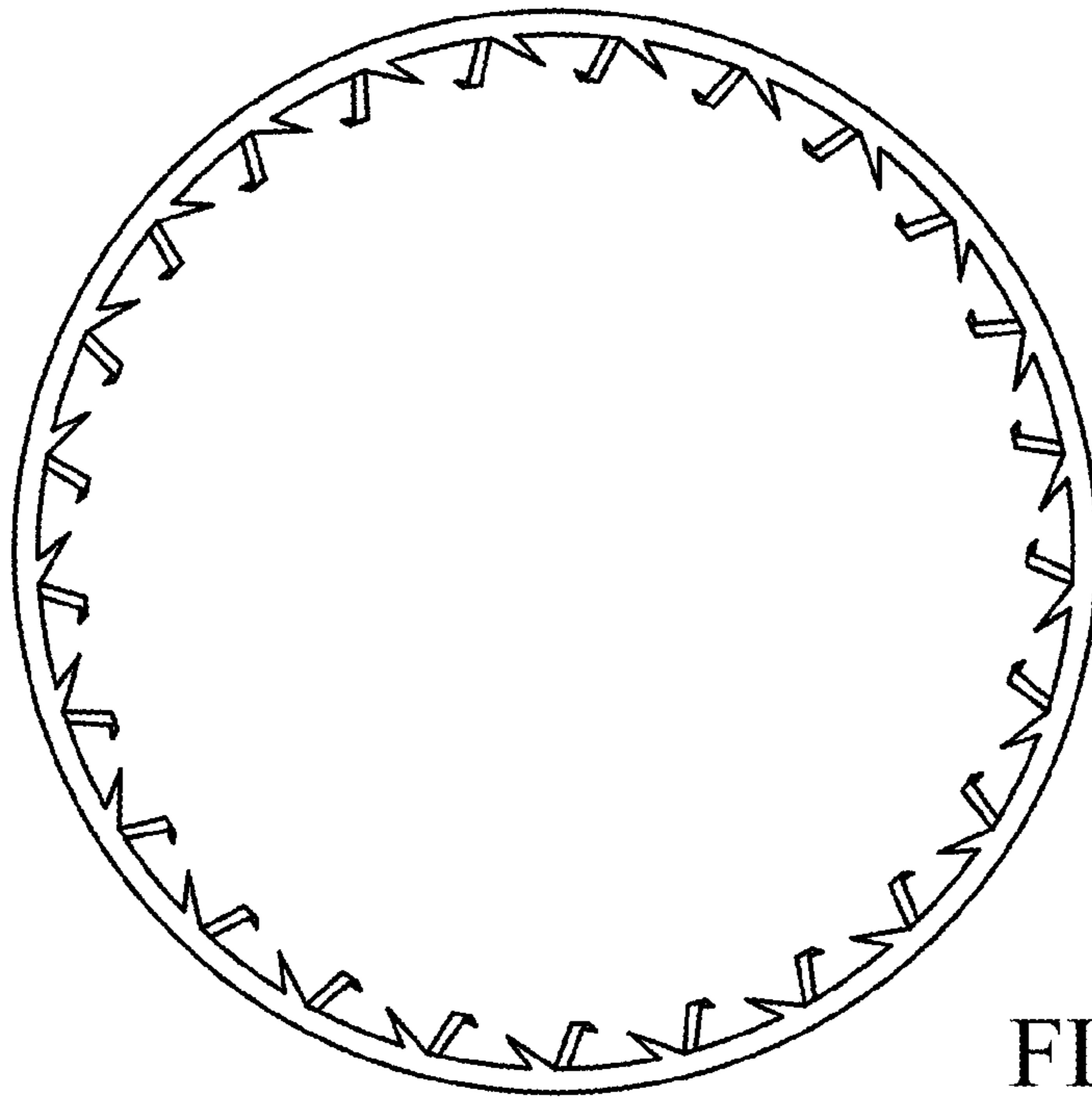


FIG. 3

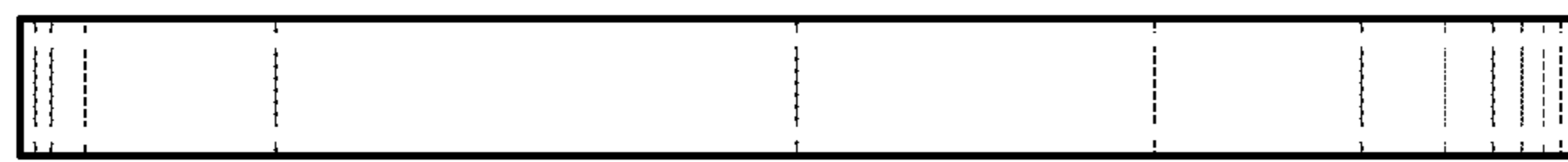


FIG. 4

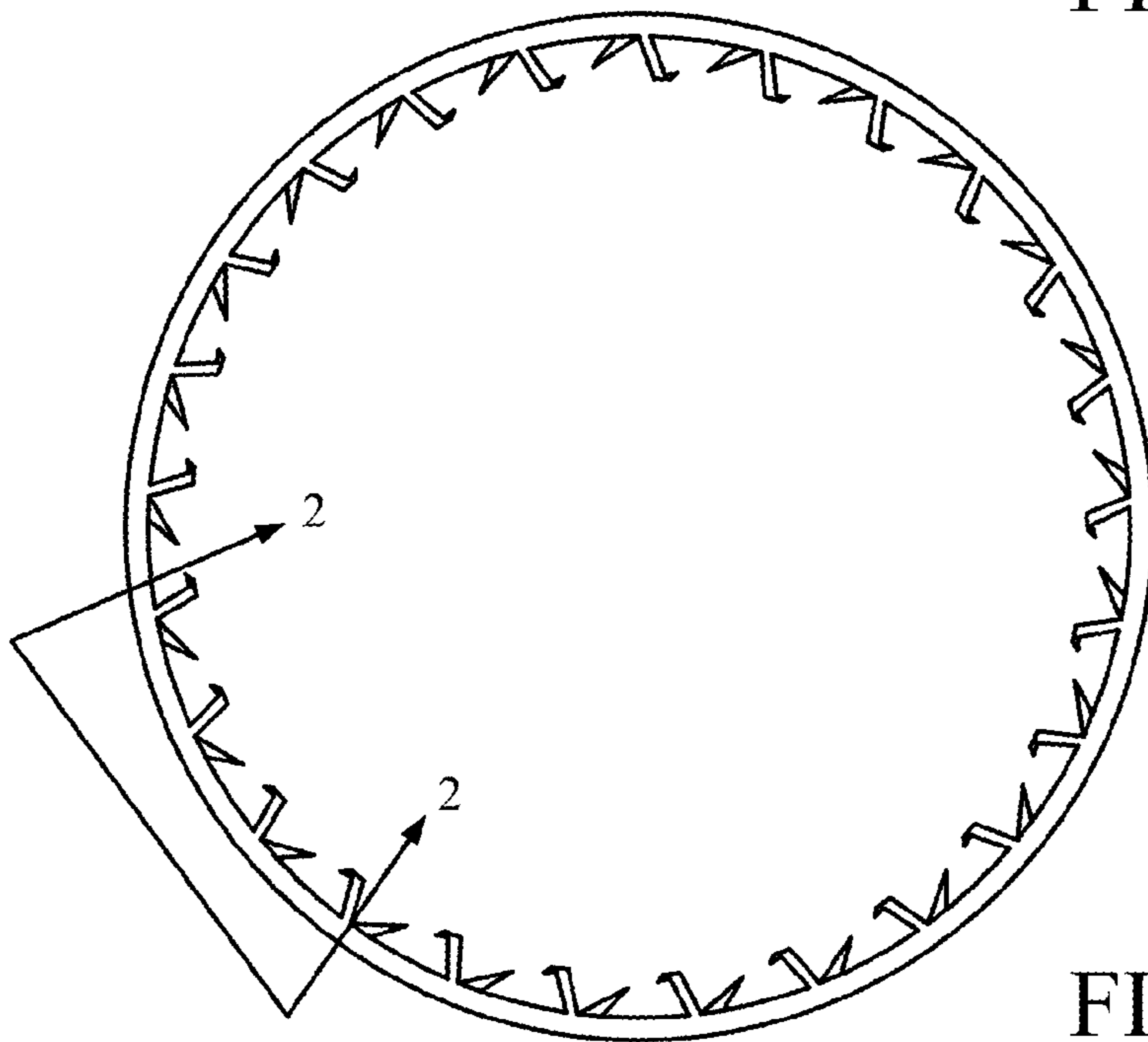


FIG. 5