



US00D749798S

(12) **United States Design Patent**
Mihlbauer

(10) **Patent No.:** **US D749,798 S**
(45) **Date of Patent:** **** Feb. 16, 2016**

(54) **FISH TANK**

(71) Applicant: **CENTRAL GARDEN & PET COMPANY**, Walnut Creek, CA (US)

(72) Inventor: **Brad L. Mihlbauer**, Mukwonago, WI (US)

(73) Assignee: **CENTRAL GARDEN & PET COMPANY**, Walnut Creek, CA (US)

(**) Term: **15 Years**

(21) Appl. No.: **29/529,299**

(22) Filed: **Jun. 5, 2015**

Related U.S. Application Data

(62) Division of application No. 29/477,302, filed on Dec. 20, 2013, now Pat. No. Des. 731,714.

(51) **LOC (10) Cl.** **30-02**

(52) **U.S. Cl.**
USPC **D30/102**

(58) **Field of Classification Search**
USPC D30/101-107; D11/145; D21/478-480;
119/245-269

CPC ... A01K 63/003; A01K 63/006; A01K 63/00;
A01K 61/025

See application file for complete search history.

(56) **References Cited**

U.S. PATENT DOCUMENTS

2,879,742 A * 3/1959 Morrill A01K 63/003
D30/101
2,968,280 A * 1/1961 Gutstein A01K 61/025
D30/106

(Continued)

OTHER PUBLICATIONS

“YingYang cups”, <http://eternalpuppy.deviantart.com/art/YingYang-cups-80426448>, Nov. 26, 2013.

Primary Examiner — Wan Laymon

(74) *Attorney, Agent, or Firm* — Grossman, Tucker, Perreault & Pflieger, PLLC

(57) **CLAIM**

The ornamental design for a fish tank, as shown and described.

DESCRIPTION

FIG. 1 is a perspective view of the fish tank of the present invention;

FIG. 2 is a front view of the fish tank of FIG. 1;

FIG. 3 is a back view of the fish tank of FIG. 1;

FIG. 4 is a left side view of the fish tank of FIG. 1;

FIG. 5 is a right side view of the fish tank of FIG. 1;

FIG. 6 is a top view of the fish tank of FIG. 1;

FIG. 7 is a bottom view of the fish tank of FIG. 1;

FIG. 8 is a top view of the fish tank of FIG. 1 as assembled with other fish tank;

FIG. 9 is a perspective view of the fish tank of FIG. 1 as assembled with other fish tank;

FIG. 10 is a perspective view of the fish tank of the present invention;

FIG. 11 is a front view of the fish tank of FIG. 10;

FIG. 12 is a back view of the fish tank of FIG. 10;

FIG. 13 is a left side view of the fish tank of FIG. 10;

FIG. 14 is a right side view of the fish tank of FIG. 10;

FIG. 15 is a top view of the fish tank of FIG. 10;

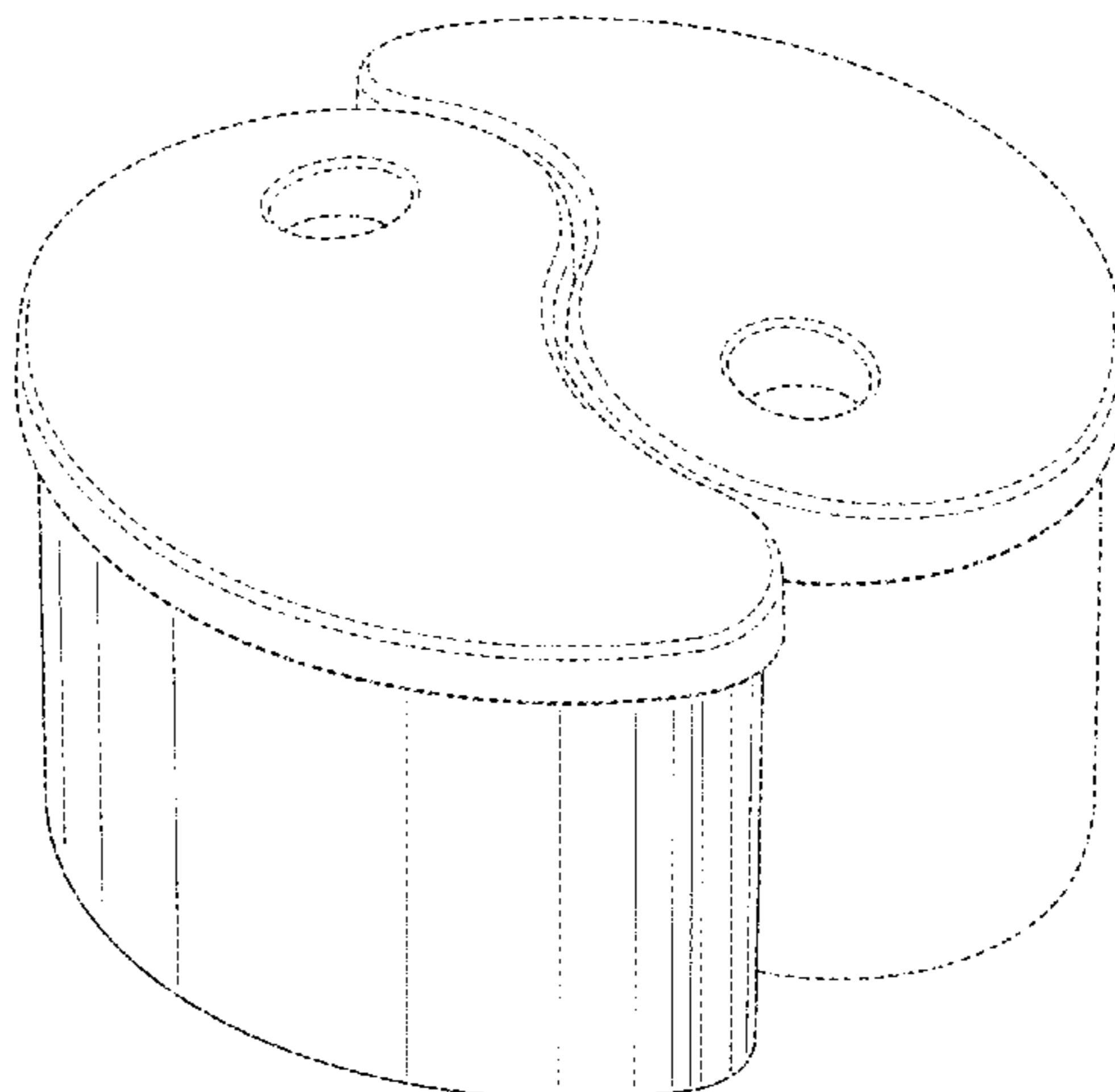
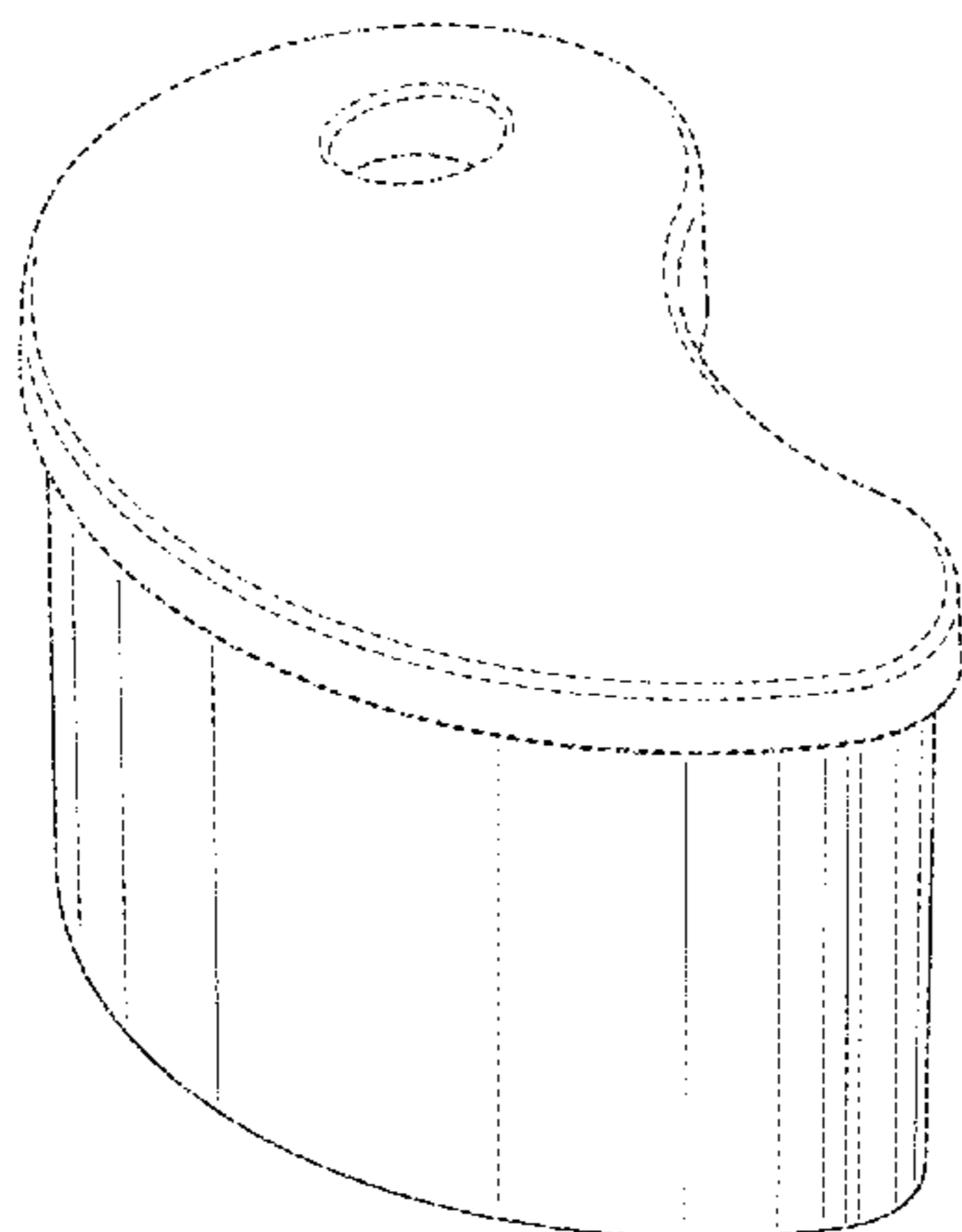
FIG. 16 is a bottom view of the fish tank of FIG. 10;

FIG. 17 is a top view of the fish tank of FIG. 10 as assembled with another fish tank; and,

FIG. 18 is a perspective view of the fish tank of FIG. 10 as assembled with another fish tank.

The broken lines shown in the figures represent portions of the fish tank that form no part of the claimed design.

1 Claim, 18 Drawing Sheets



US D749,798 S

Page 2

(56)

References Cited

U.S. PATENT DOCUMENTS

3,367,063	A *	2/1968	Bondesen	A63H 33/101 D30/101	7,243,613	B2	7/2007	Holms et al.	
3,664,301	A *	5/1972	Morrill	A01K 63/003 119/258	8,113,147	B1 *	2/2012	Wang	A01K 63/06 119/267
D255,948	S *	7/1980	Robert	D30/105	9,089,116	B2 *	7/2015	Tuan	A01K 61/025 119/264
4,949,674	A *	8/1990	Young	A01K 61/025 119/51.04	2006/0238996	A1 *	10/2006	Hones	A01K 63/006 362/127

* cited by examiner

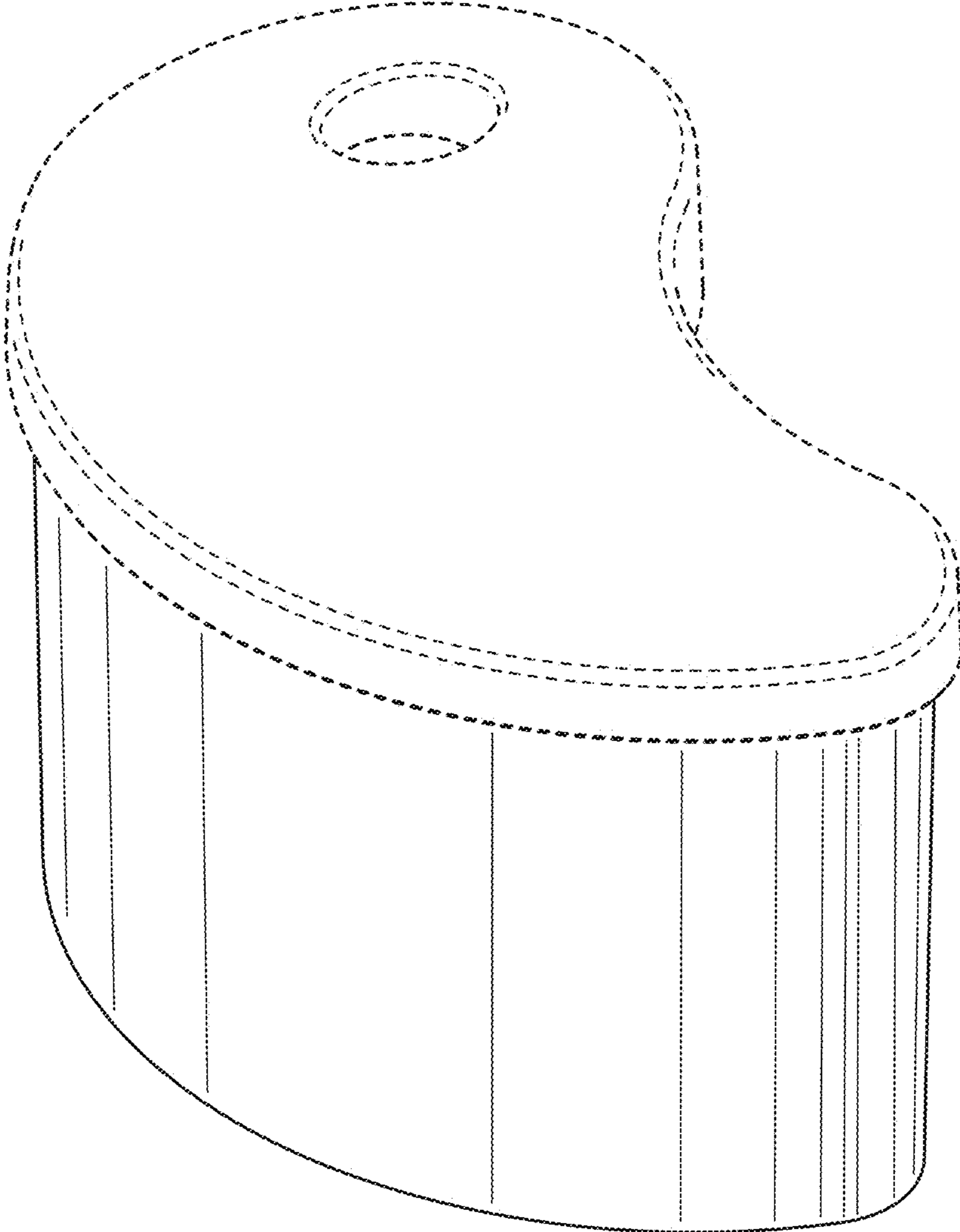


FIG. 1

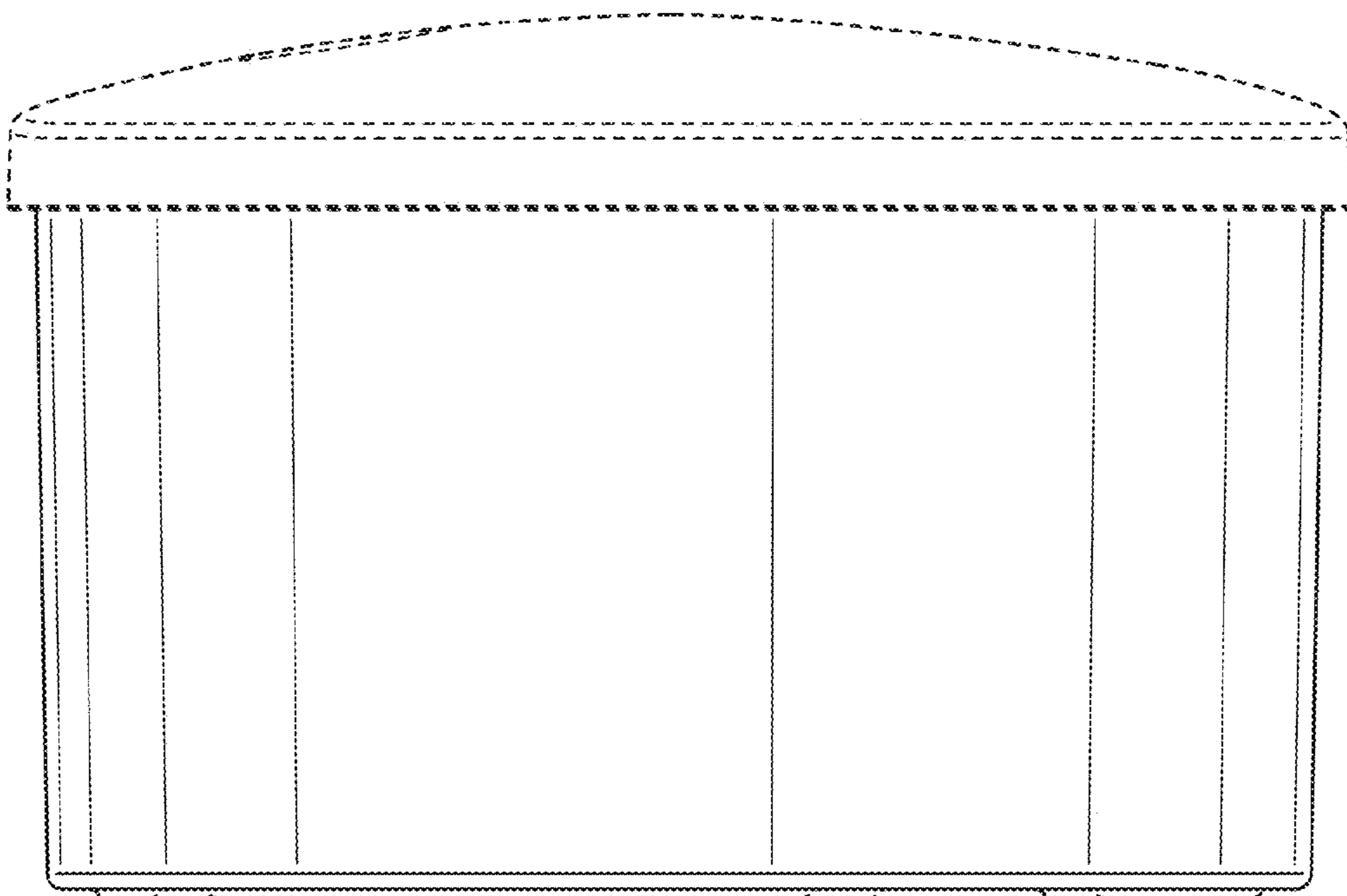


FIG. 2

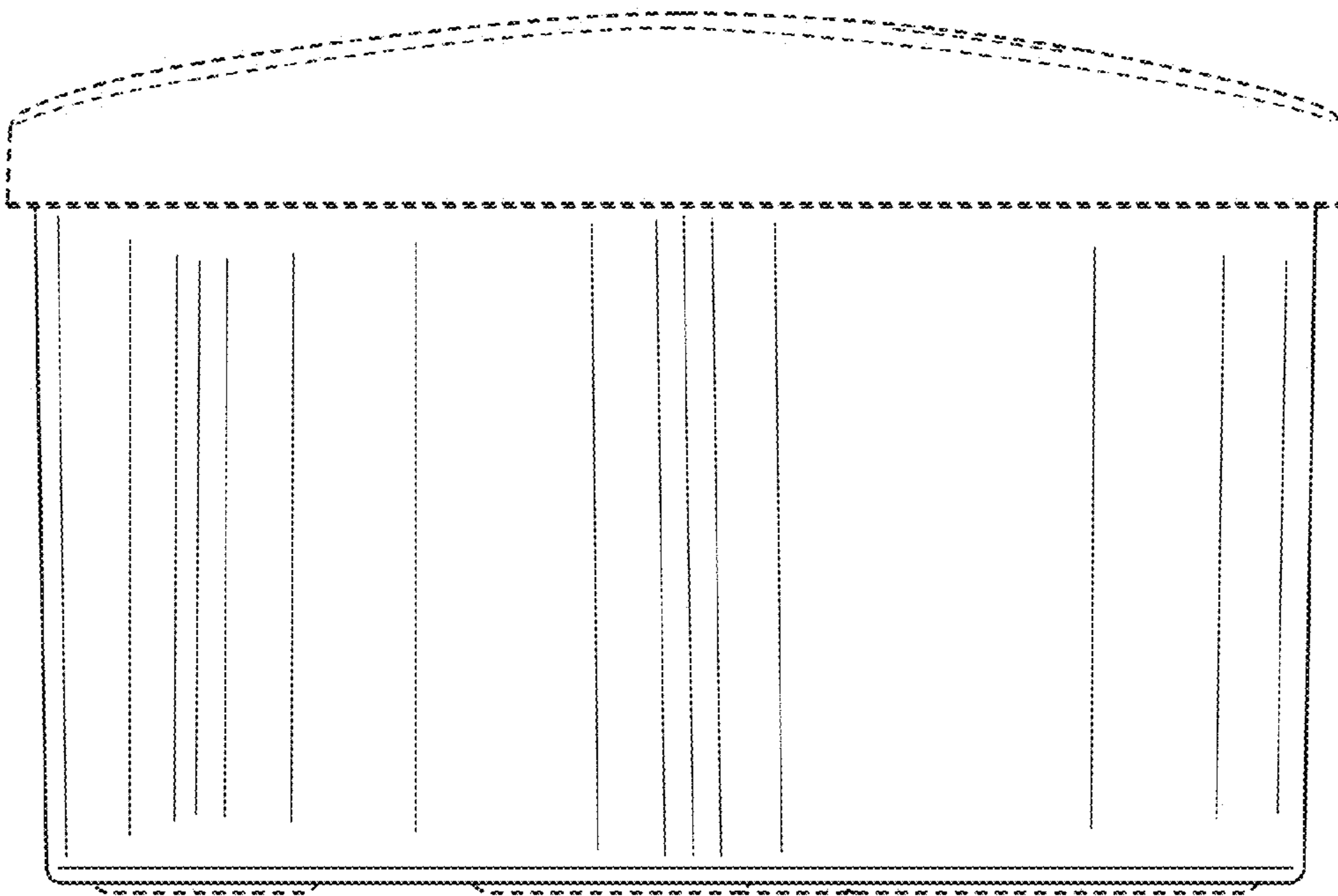


FIG. 3

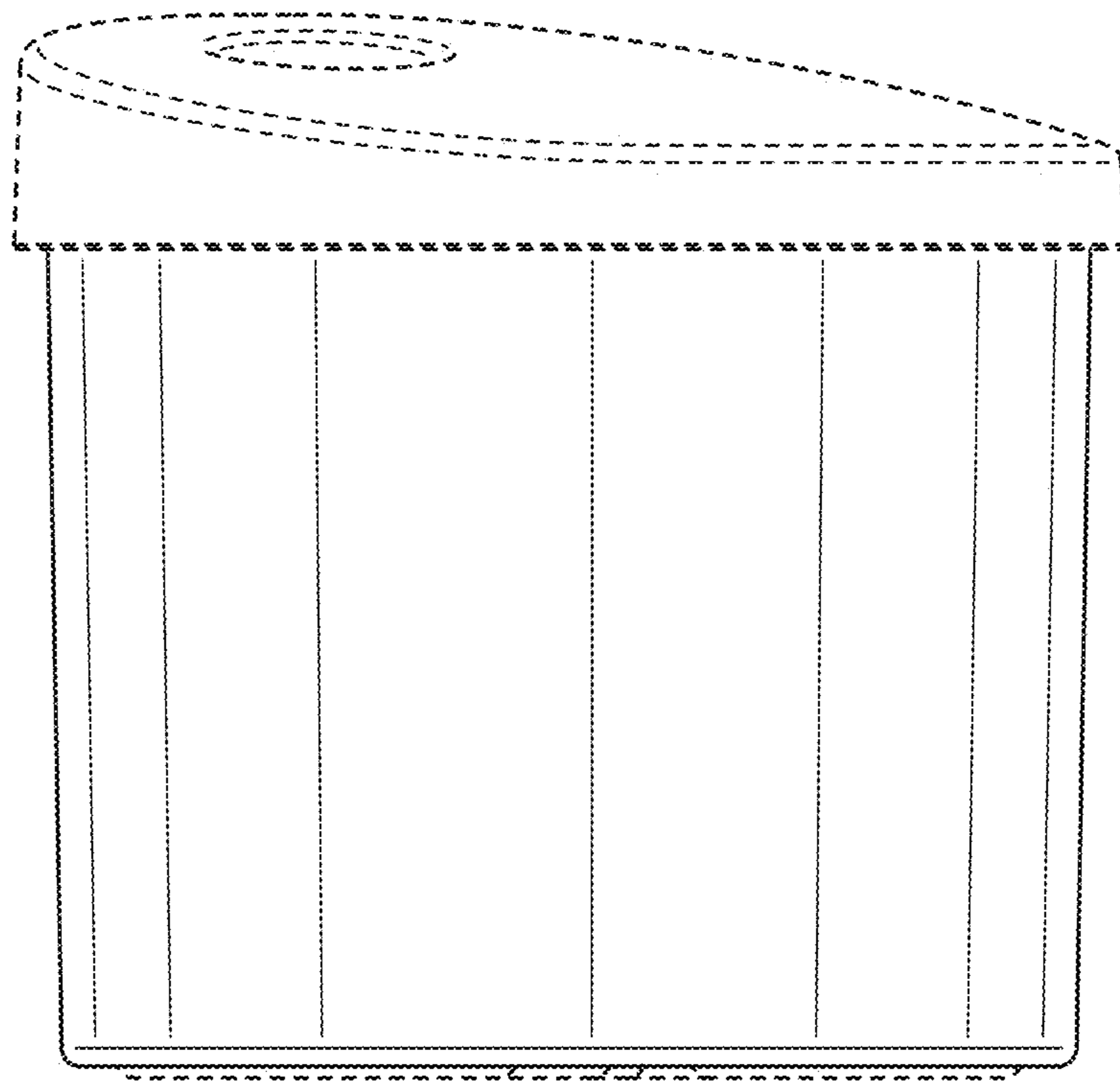


FIG. 4

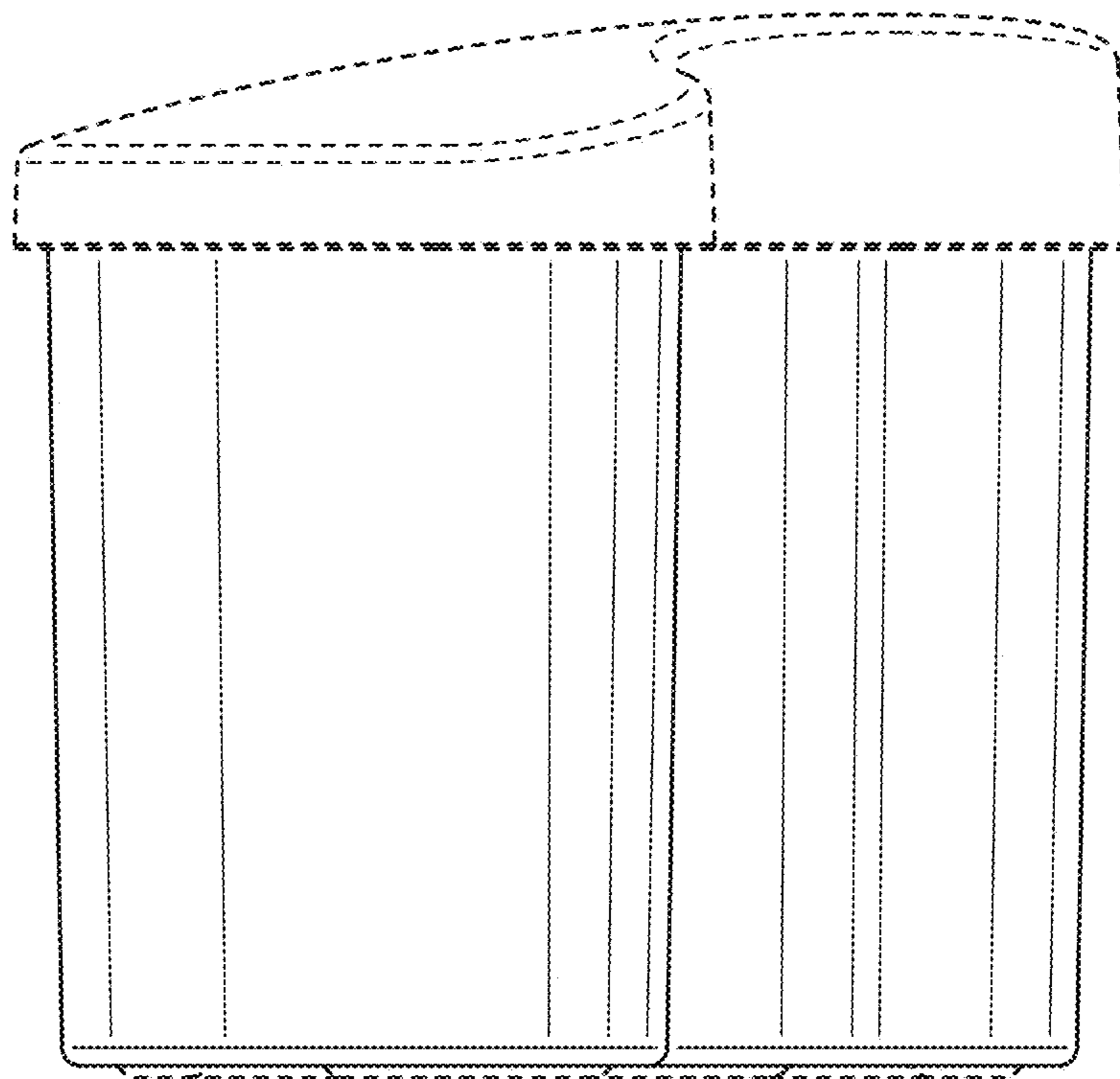


FIG. 5

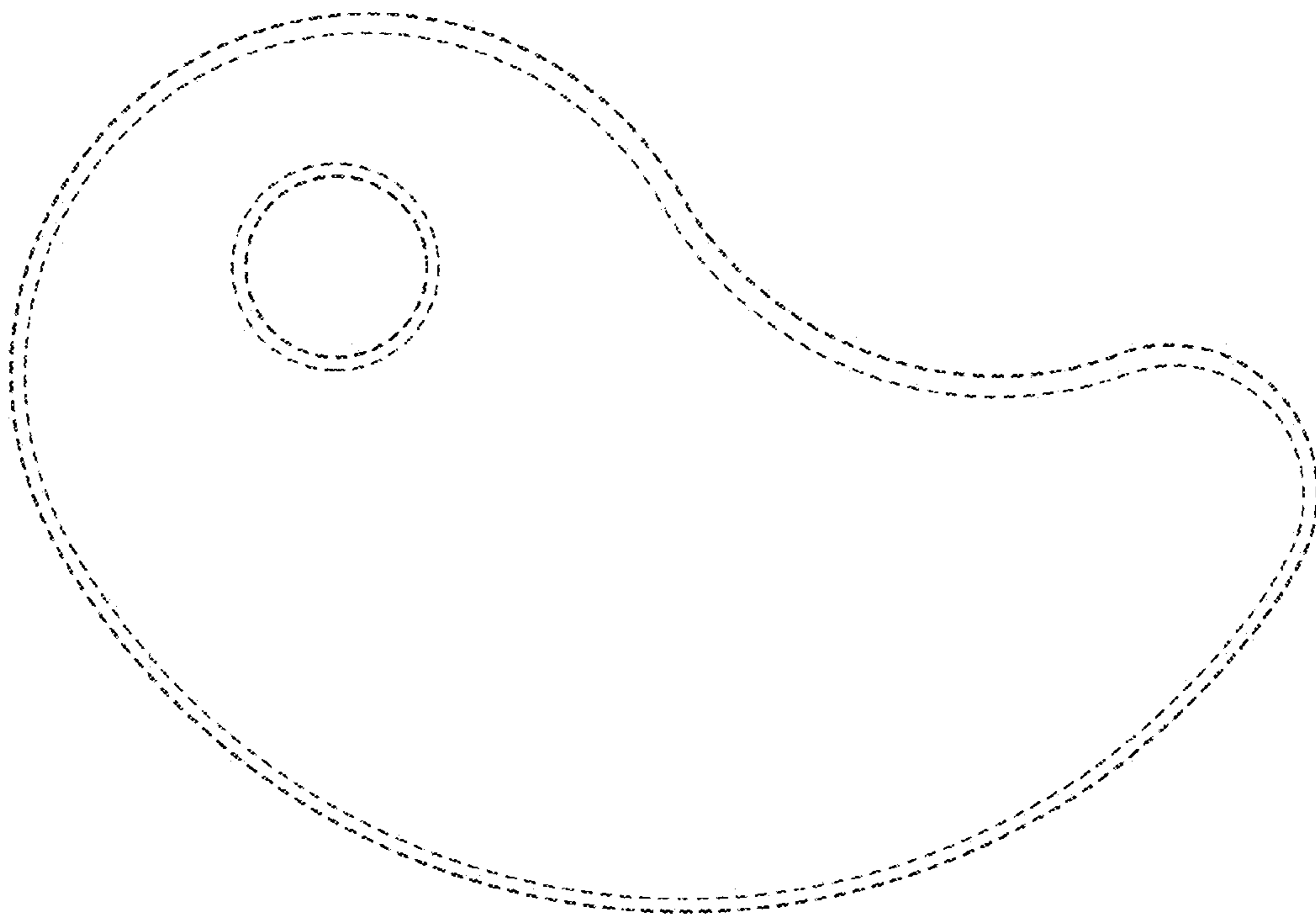


FIG. 6

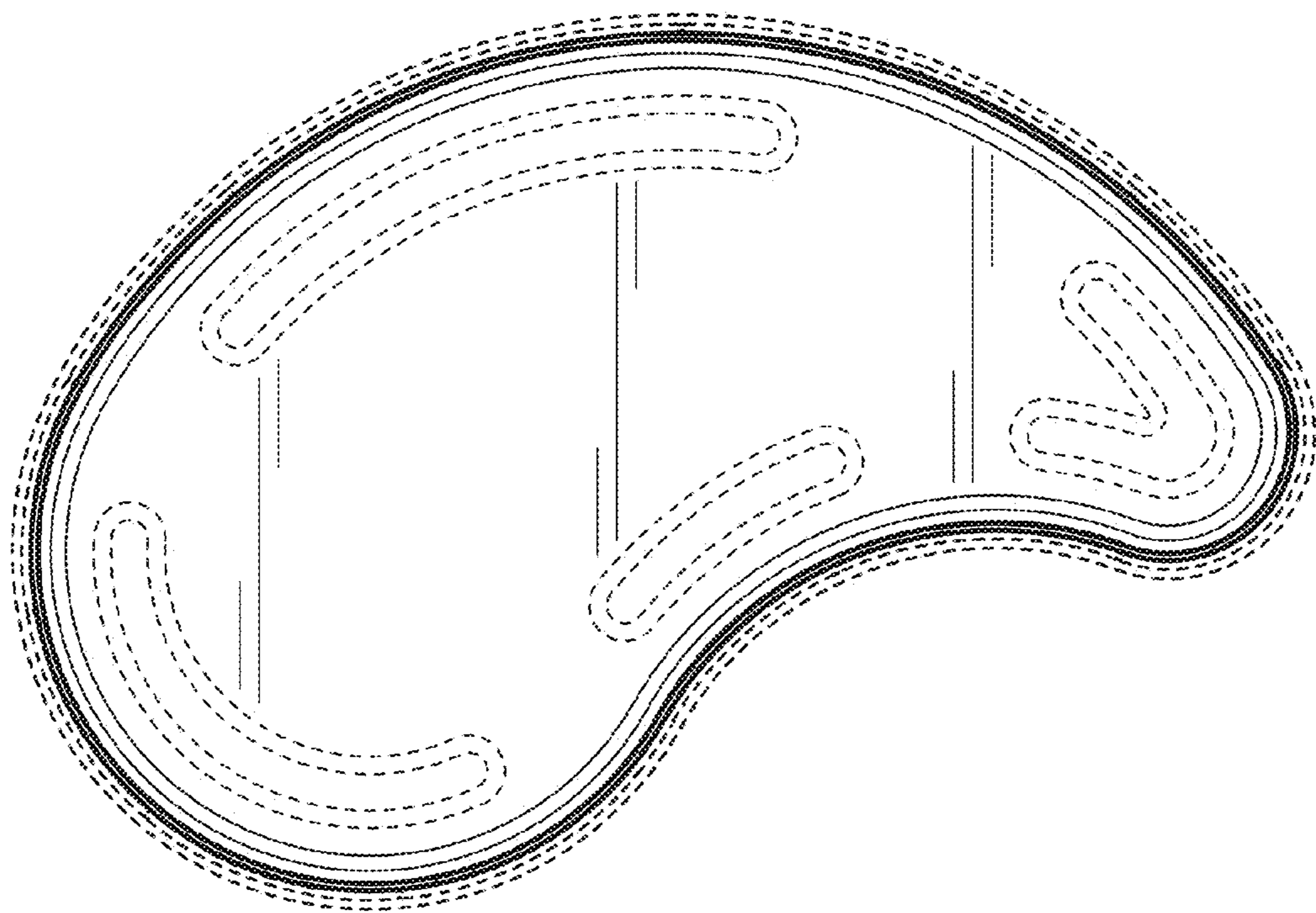


FIG. 7

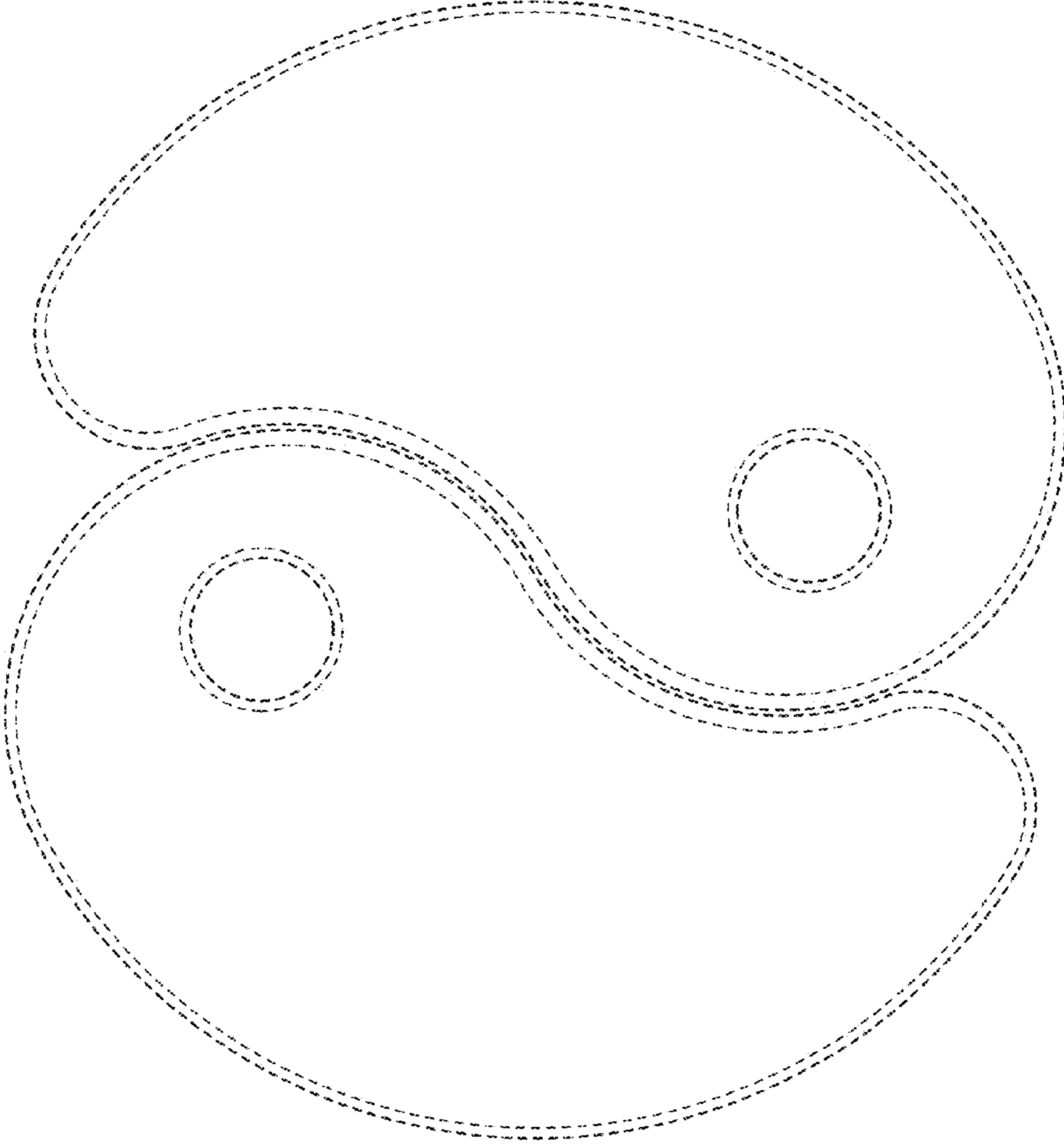


FIG. 8

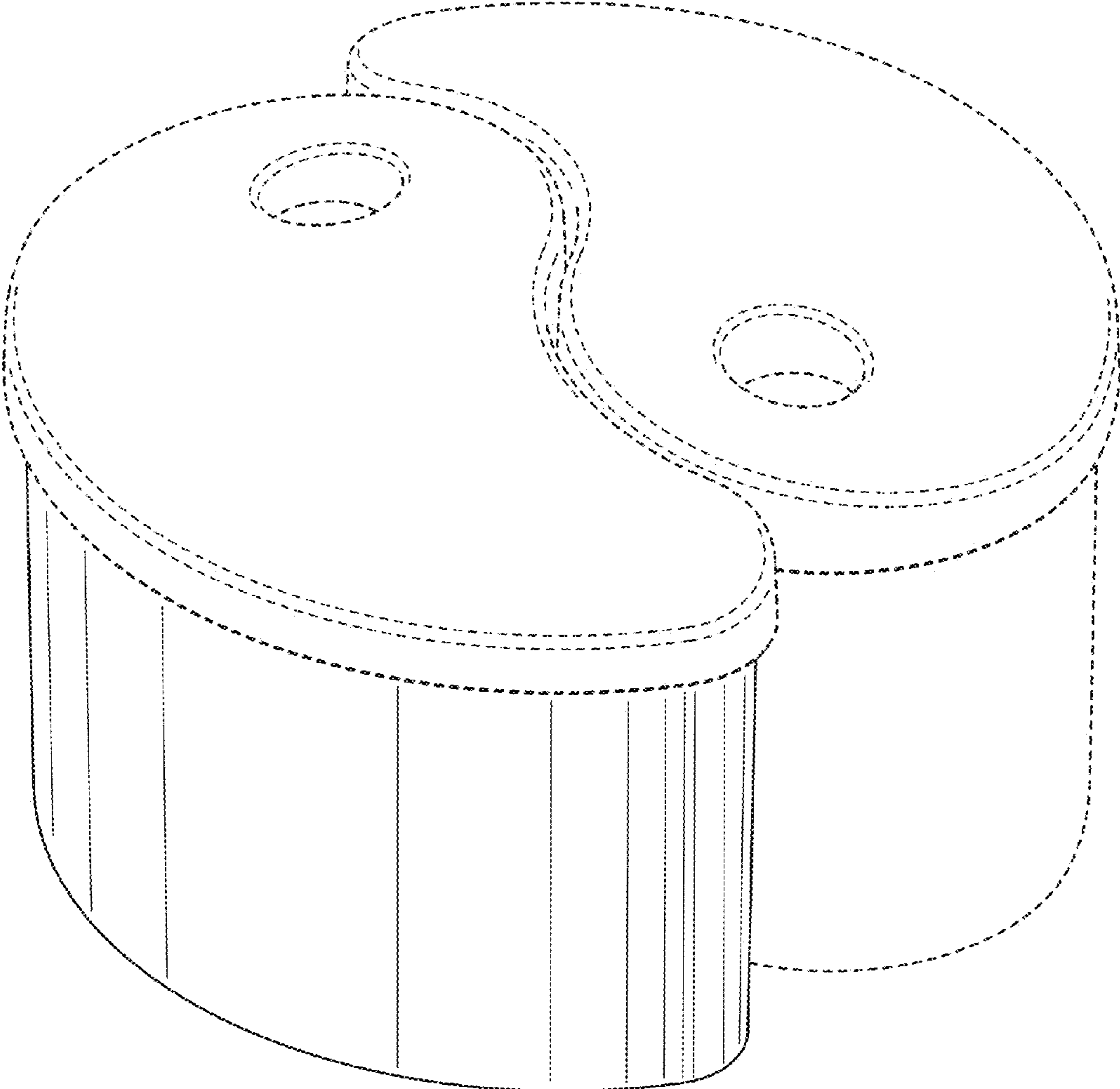


FIG. 9

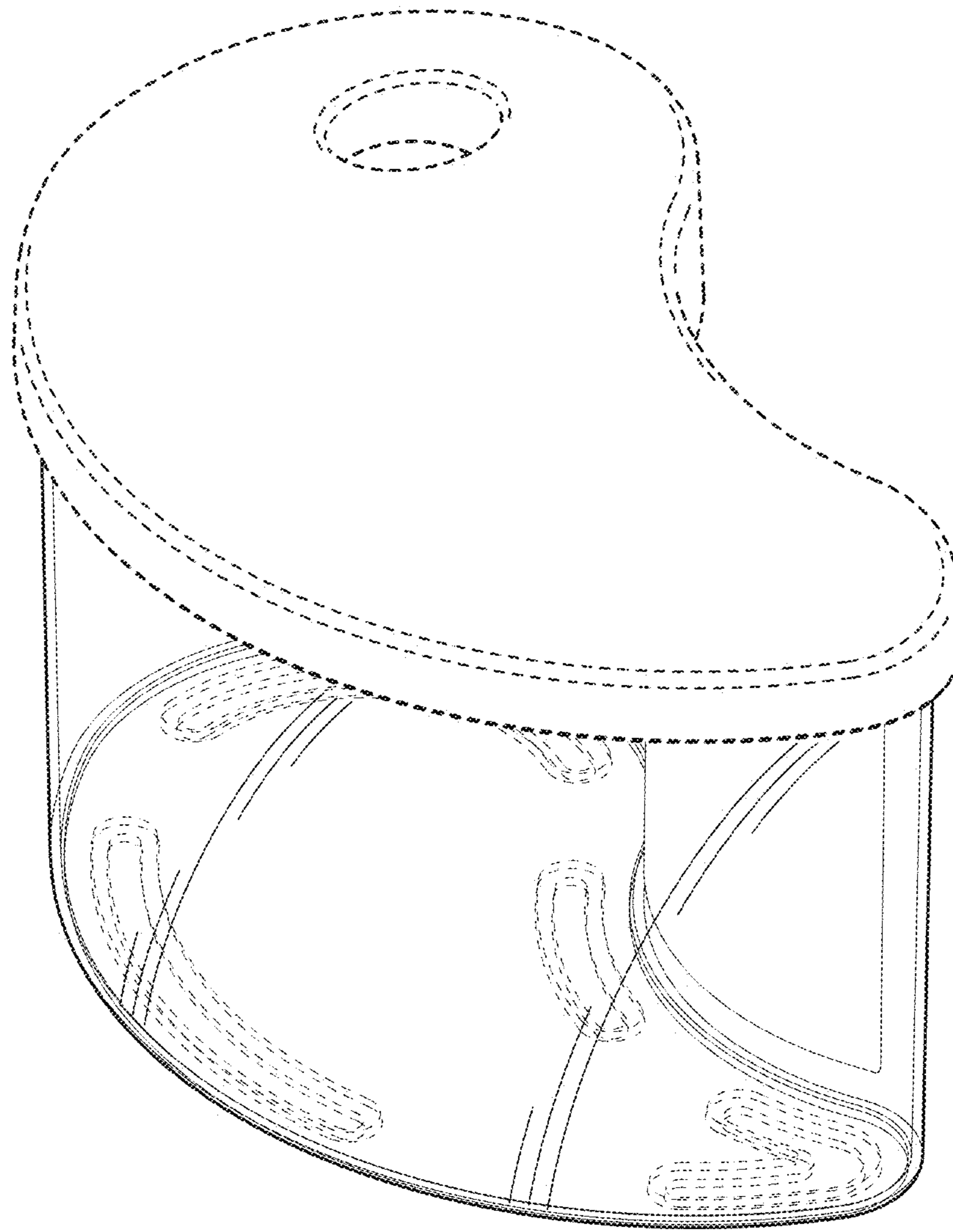


FIG. 10

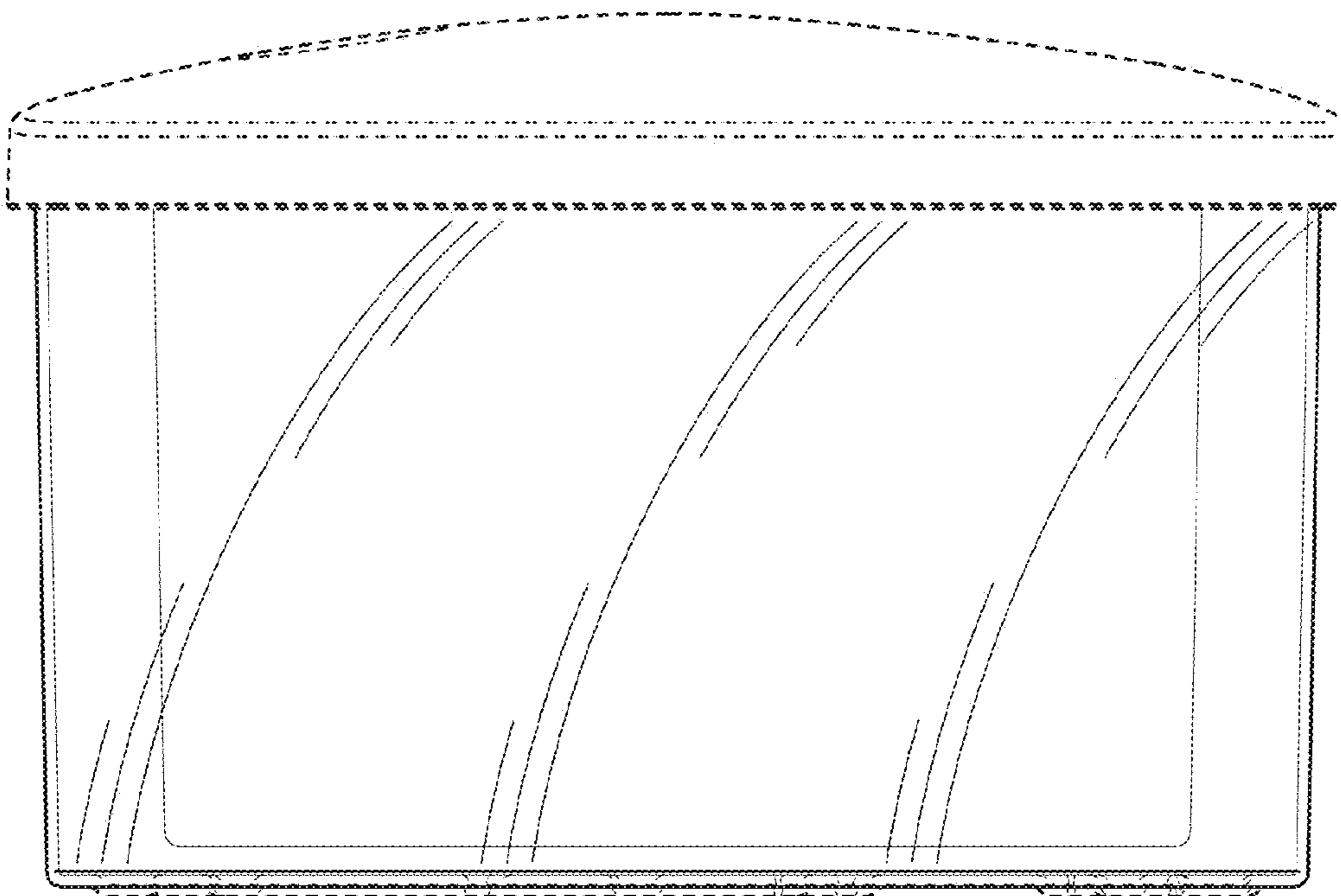


FIG. 11

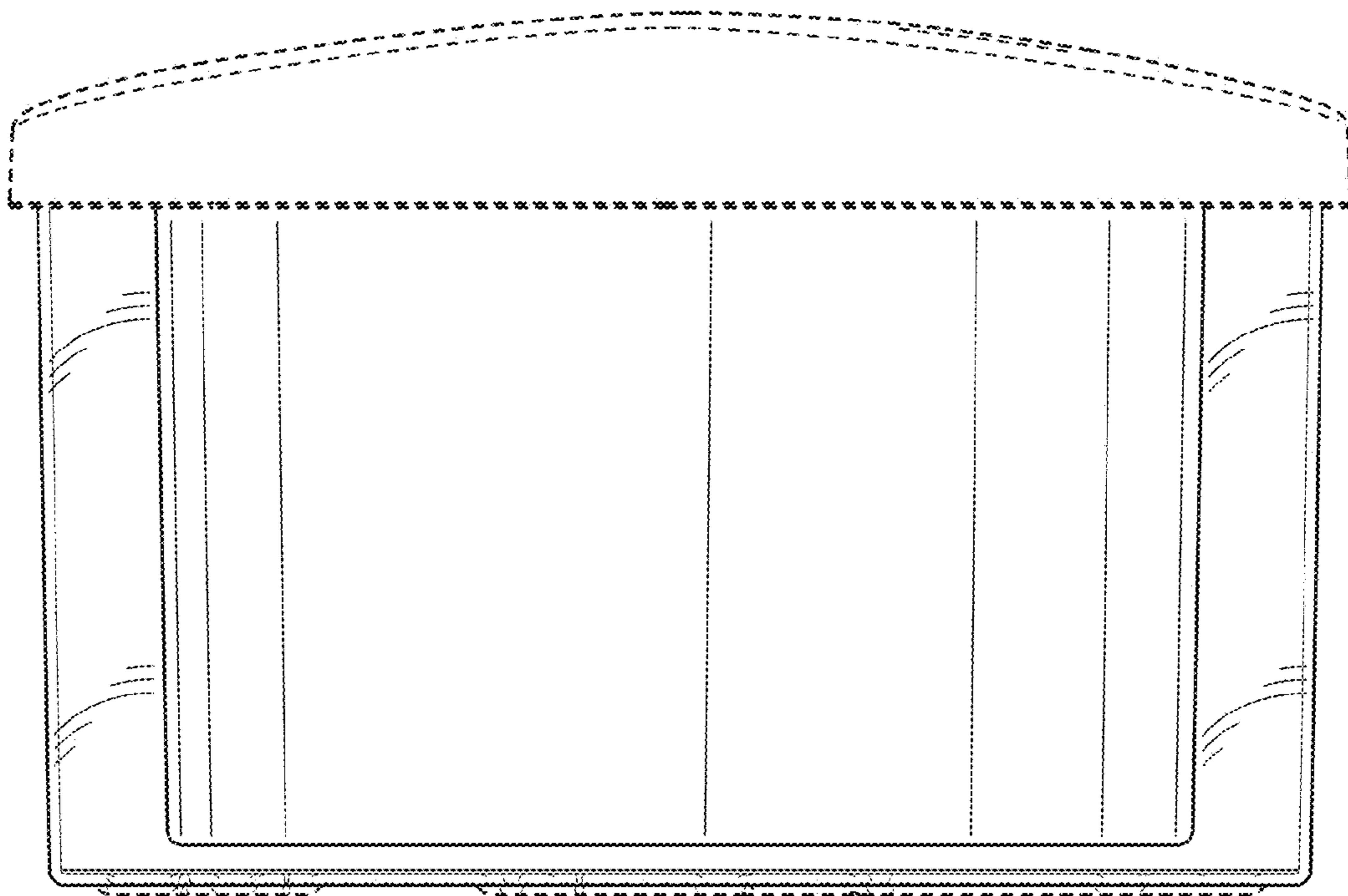


FIG. 12

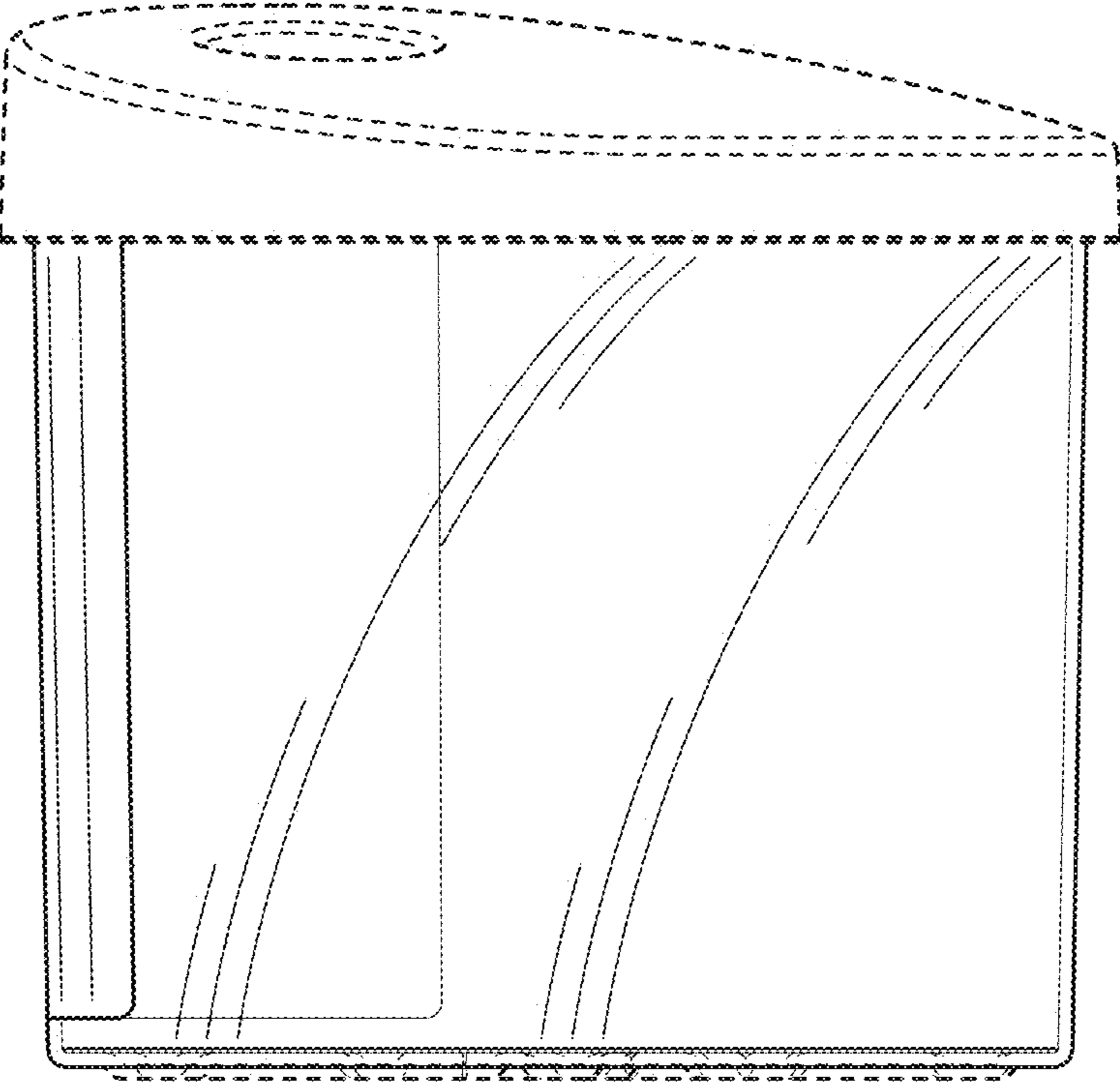


FIG. 13

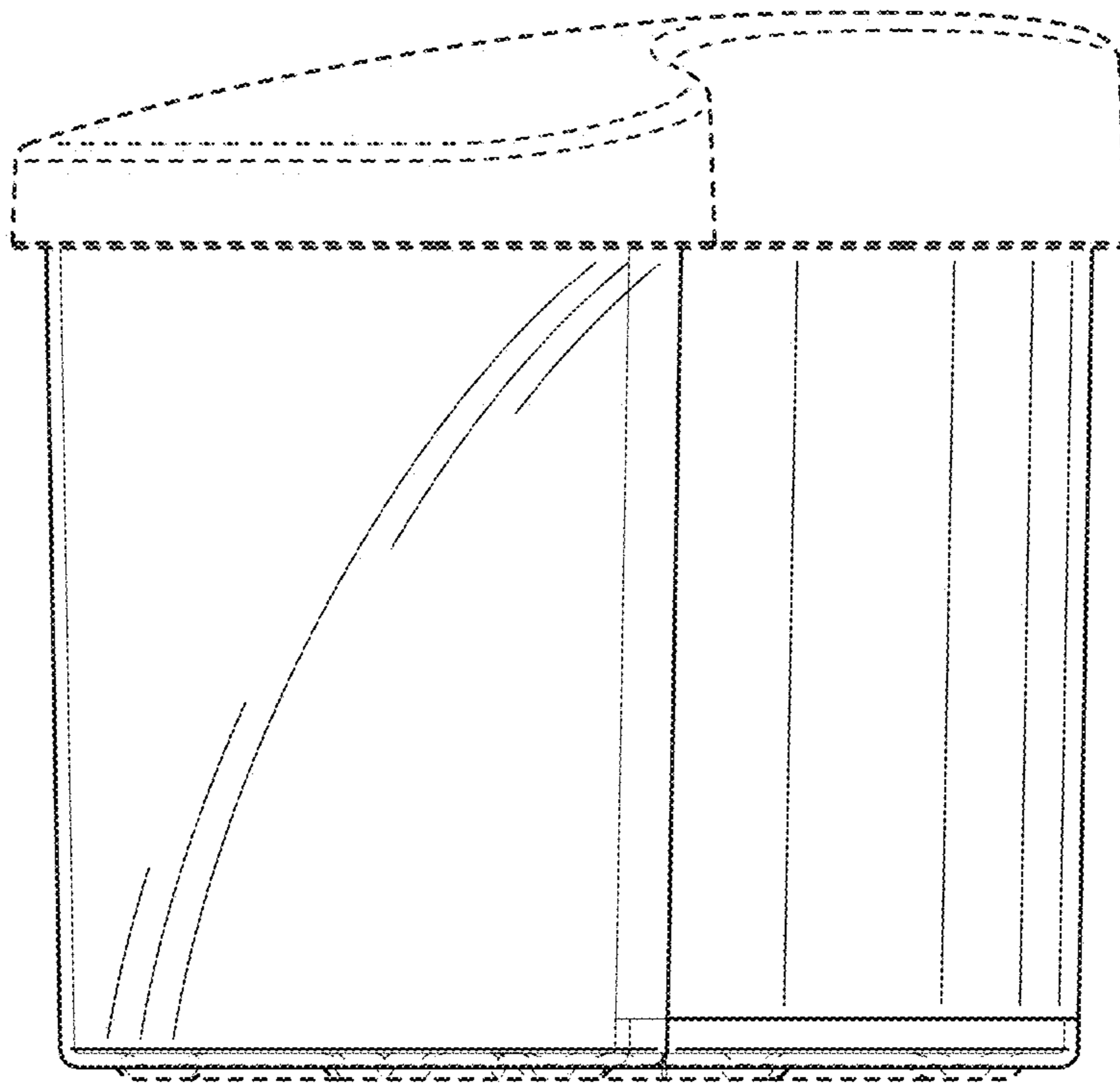


FIG. 14

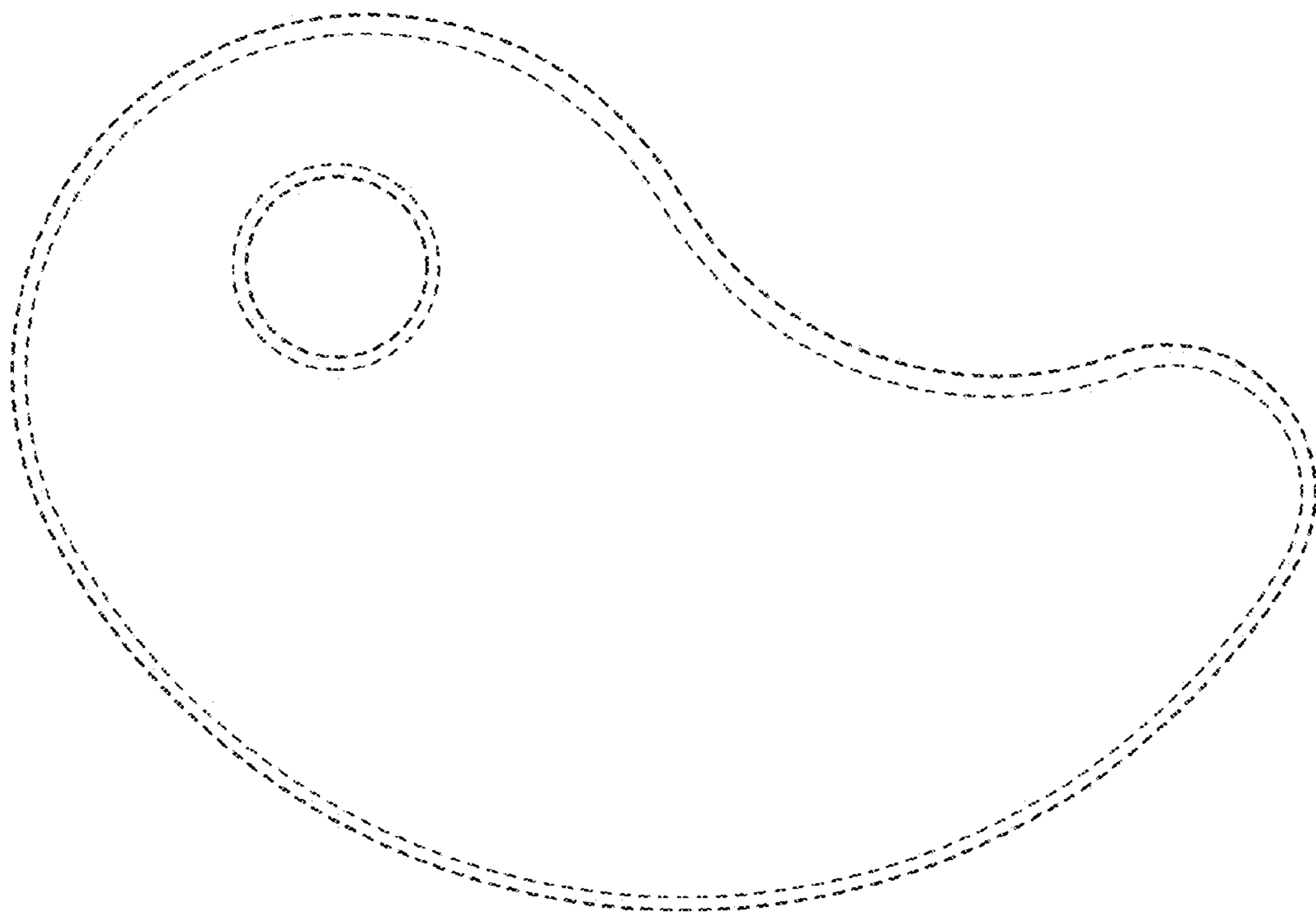


FIG. 15

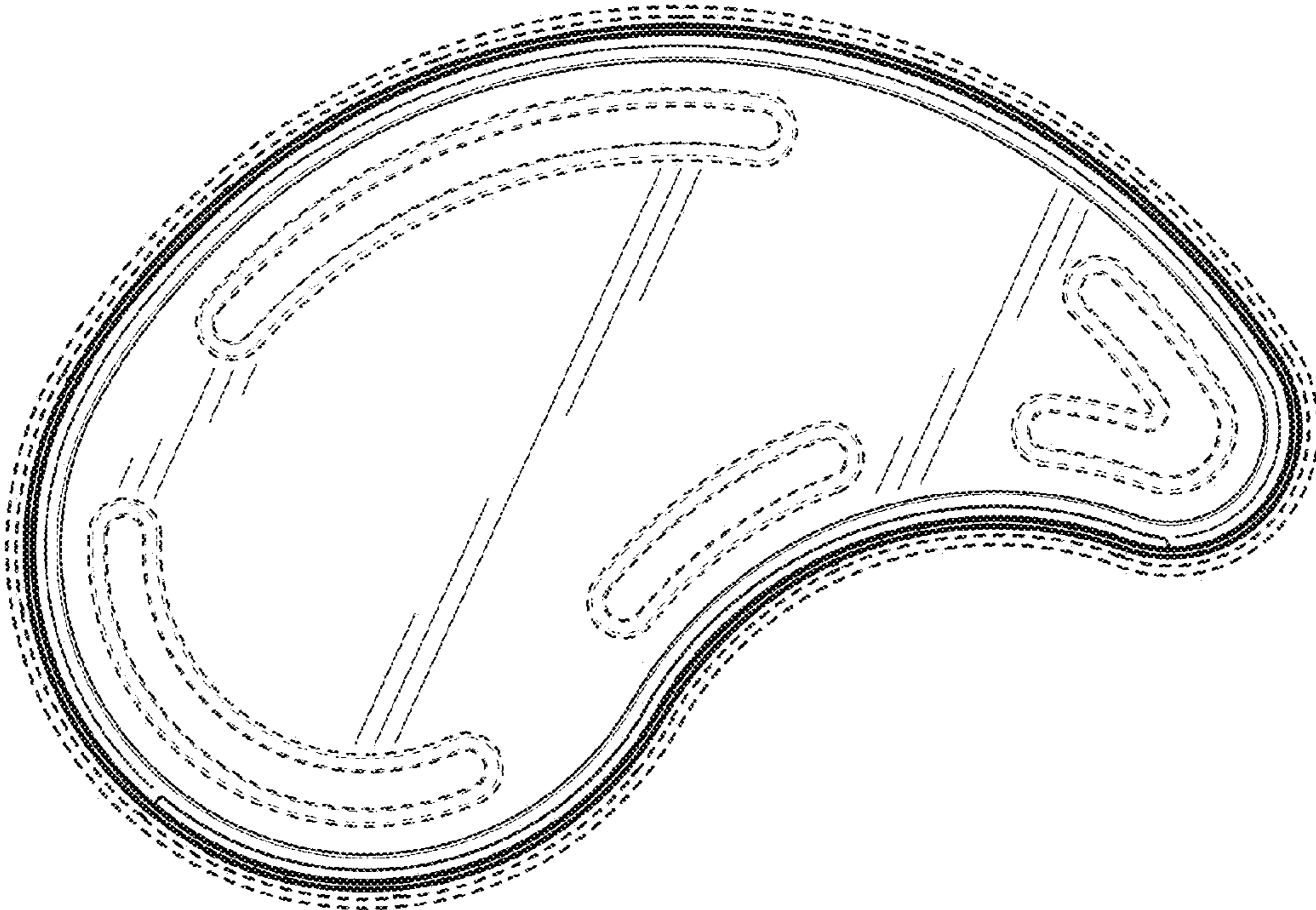


FIG. 16

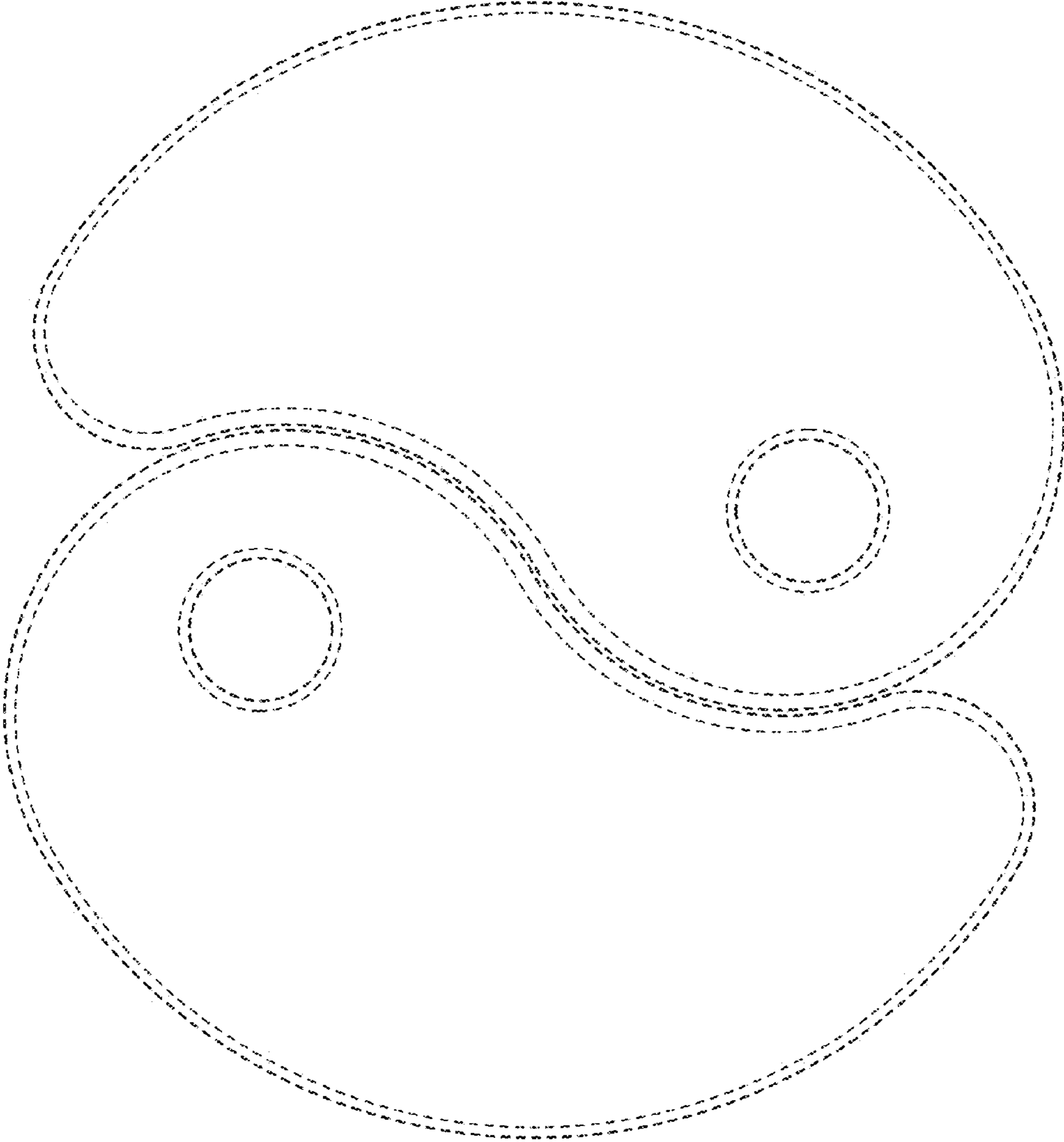


FIG. 17

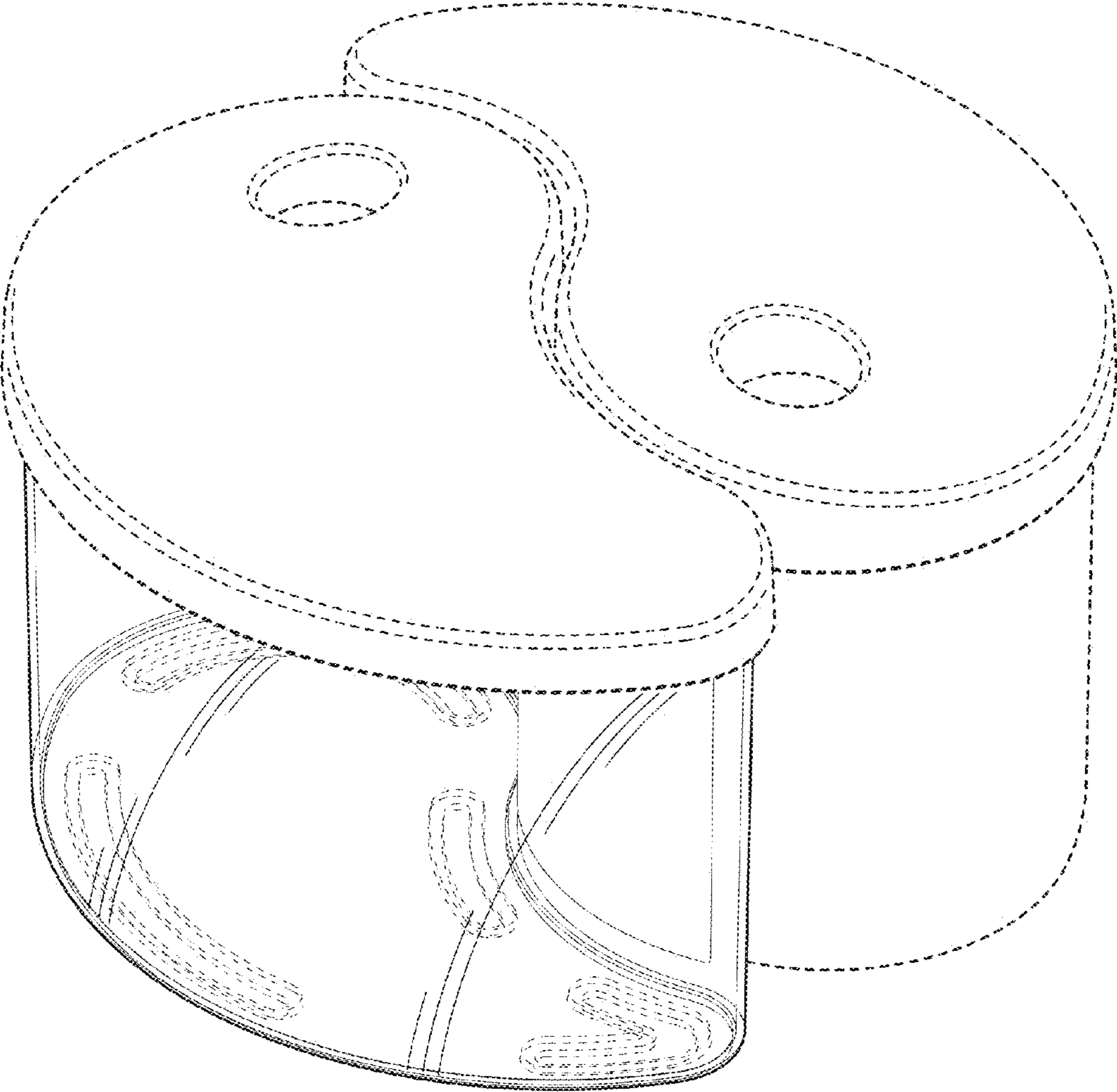


FIG. 18