



US00D749797S

(12) **United States Design Patent**
Mihlbauer

(10) **Patent No.:** **US D749,797 S**

(45) **Date of Patent:** **** Feb. 16, 2016**

(54) **INTERLOCKING PUZZLE TANK**

(71) Applicant: **CENTRAL GARDEN & PET COMPANY**, Walnut Creek, CA (US)

(72) Inventor: **Brad L. Mihlbauer**, Mukwinago, WI (US)

(73) Assignee: **CENTRAL GARDEN & PET COMPANY**, Walnut Creek, CA (US)

(**) Term: **14 Years**

(21) Appl. No.: **29/523,483**

(22) Filed: **Apr. 10, 2015**

Related U.S. Application Data

(62) Division of application No. 29/477,293, filed on Dec. 20, 2013, now Pat. No. Des. 727,572.

(51) **LOC (10) Cl.** **30-02**

(52) **U.S. Cl.**
USPC **D30/102**; D21/478

(58) **Field of Classification Search**
USPC D30/101–107; D11/145; D3/270,
D3/271.1; D21/478–480; 119/245–248,
119/253–258, 264–265; 273/153 R,
273/156–157 R

CPC ... A01K 63/00; A01K 63/003; A01K 63/006;
A63F 9/10; A63F 9/1208

See application file for complete search history.

(56) **References Cited**

U.S. PATENT DOCUMENTS

- | | | | | | |
|-----------|------|---------|-------------|-------|--------------------------|
| 3,334,798 | A * | 8/1967 | Pezely, Jr. | | A63F 9/1204
273/157 R |
| 5,409,227 | A * | 4/1995 | Walker | | A63F 9/10
273/157 R |
| D370,562 | S * | 6/1996 | Arini | | D21/479 |
| D553,304 | S * | 10/2007 | Wang | | D30/101 |
| 8,544,849 | B2 * | 10/2013 | Knell | | A63F 9/1208
273/157 R |
| D721,859 | S * | 1/2015 | Mihlbauer | | D30/102 |

OTHER PUBLICATIONS

“Fish Tank Toilet”, <http://walyou.com/fish-tank-toilet-aquarium>, Mar. 28, 2013.

“Puzzle Wall Mount Fish Bowls”, <http://thisnext.com>, Dec. 23, 2013.

* cited by examiner

Primary Examiner — Wan Laymon

(74) *Attorney, Agent, or Firm* — Grossman, Tucker, Perreault & Pfleger, PLLC

(57) **CLAIM**

The ornamental design for an interlocking puzzle tank, as shown and described.

DESCRIPTION

FIG. 1 is a perspective view of an interlocking puzzle tank of the present invention;

FIG. 2 is a front view of the interlocking puzzle tank of FIG. 1;

FIG. 3 is a back view of the interlocking puzzle tank of FIG. 1;

FIG. 4 is a left side view of the interlocking puzzle tank of FIG. 1;

FIG. 5 is a right side view of the interlocking puzzle tank of FIG. 1;

FIG. 6 is a top view of the interlocking puzzle tank of FIG. 1;

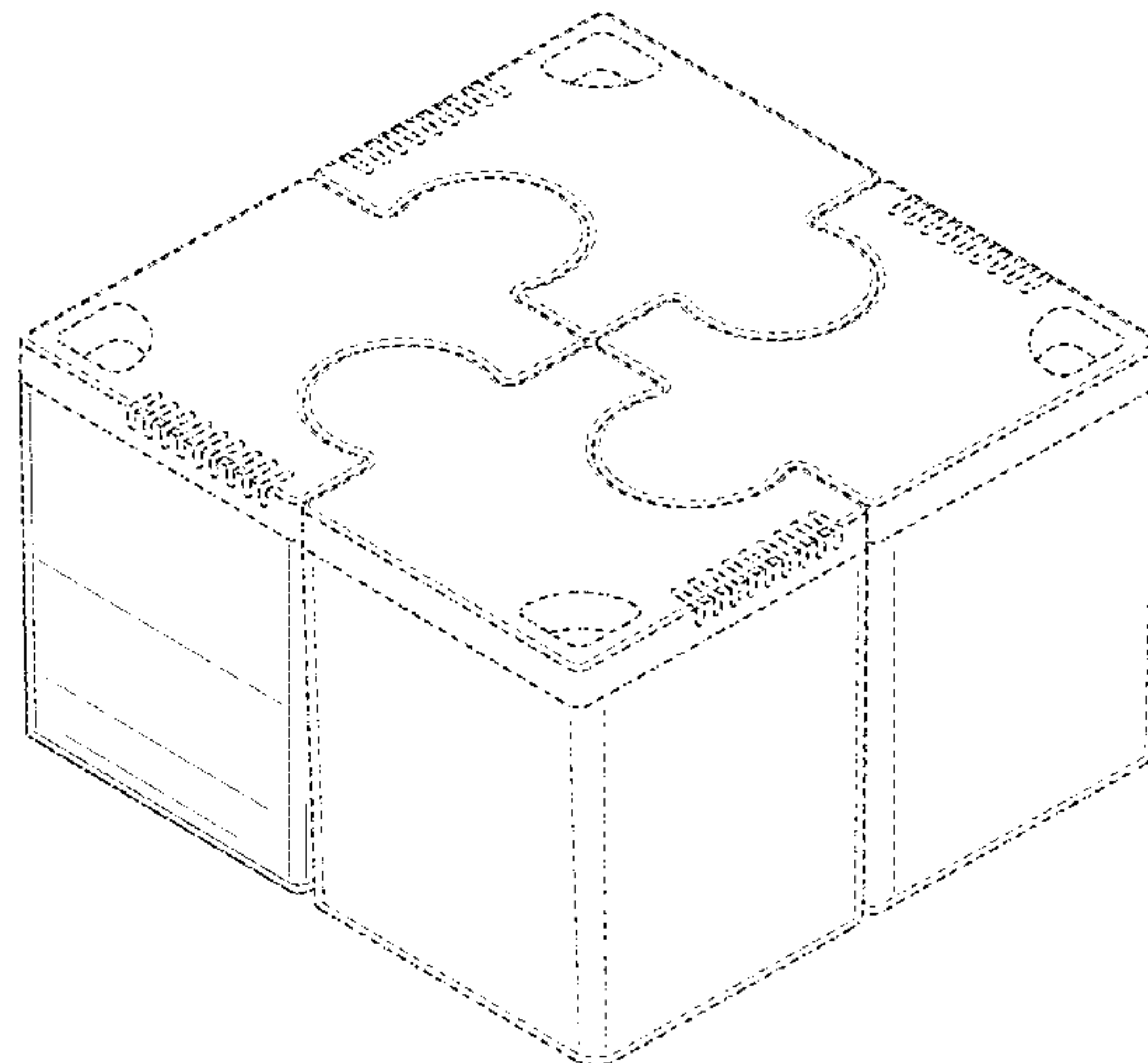
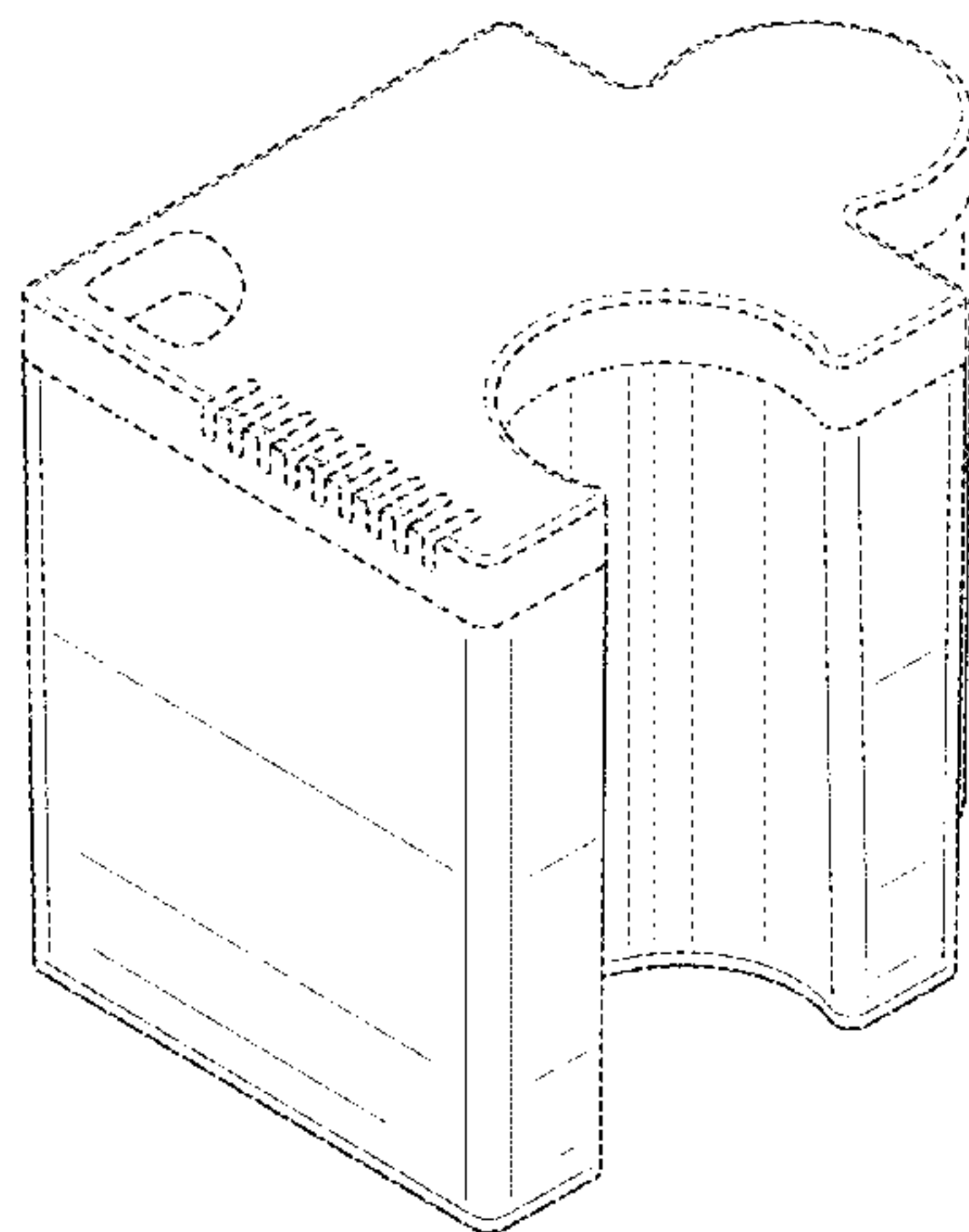
FIG. 7 is a bottom view of the interlocking puzzle tank of FIG. 1;

FIG. 8 is a top view of the interlocking puzzle tank of FIG. 1 as assembled with other interlocking puzzle tanks; and,

FIG. 9 is a perspective view of the interlocking puzzle tank of FIG. 1 as assembled with other interlocking puzzle tanks.

The broken lines showing of the lid, slots, opening, support feet, and additional interlocking puzzle tanks in the figures represent portions of the interlocking puzzle tank that form no part of the claimed design.

1 Claim, 9 Drawing Sheets



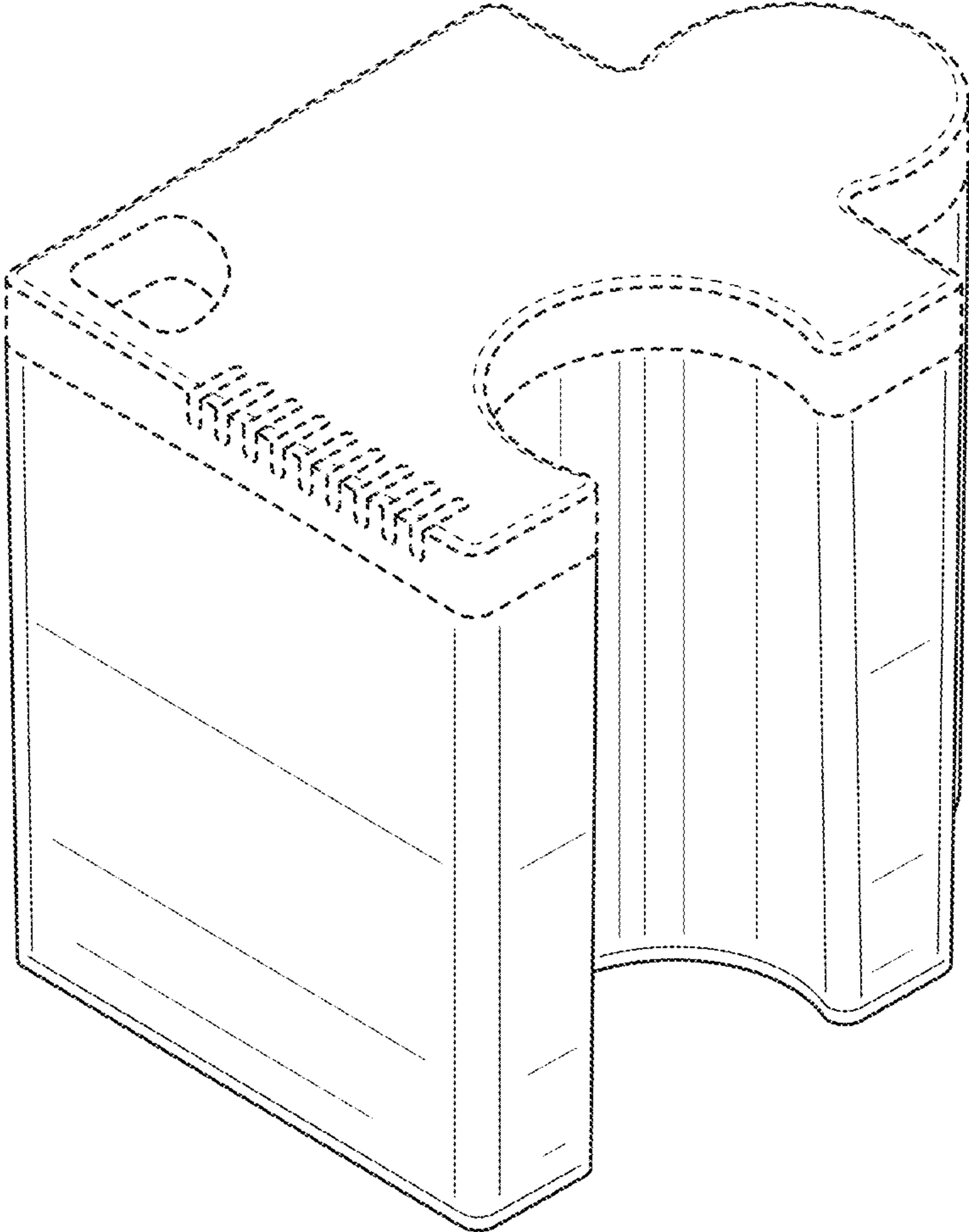


FIG. 1

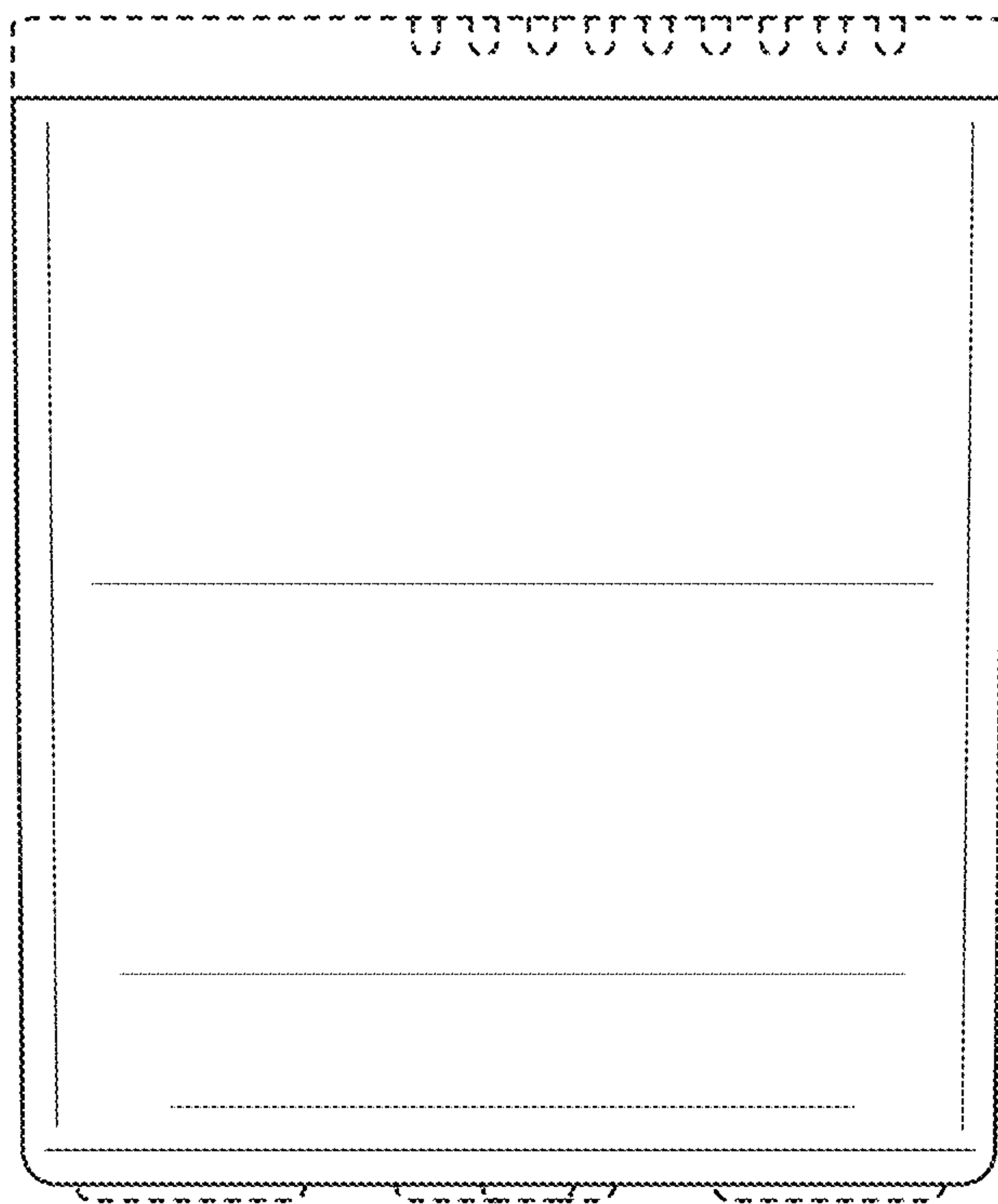


FIG. 2

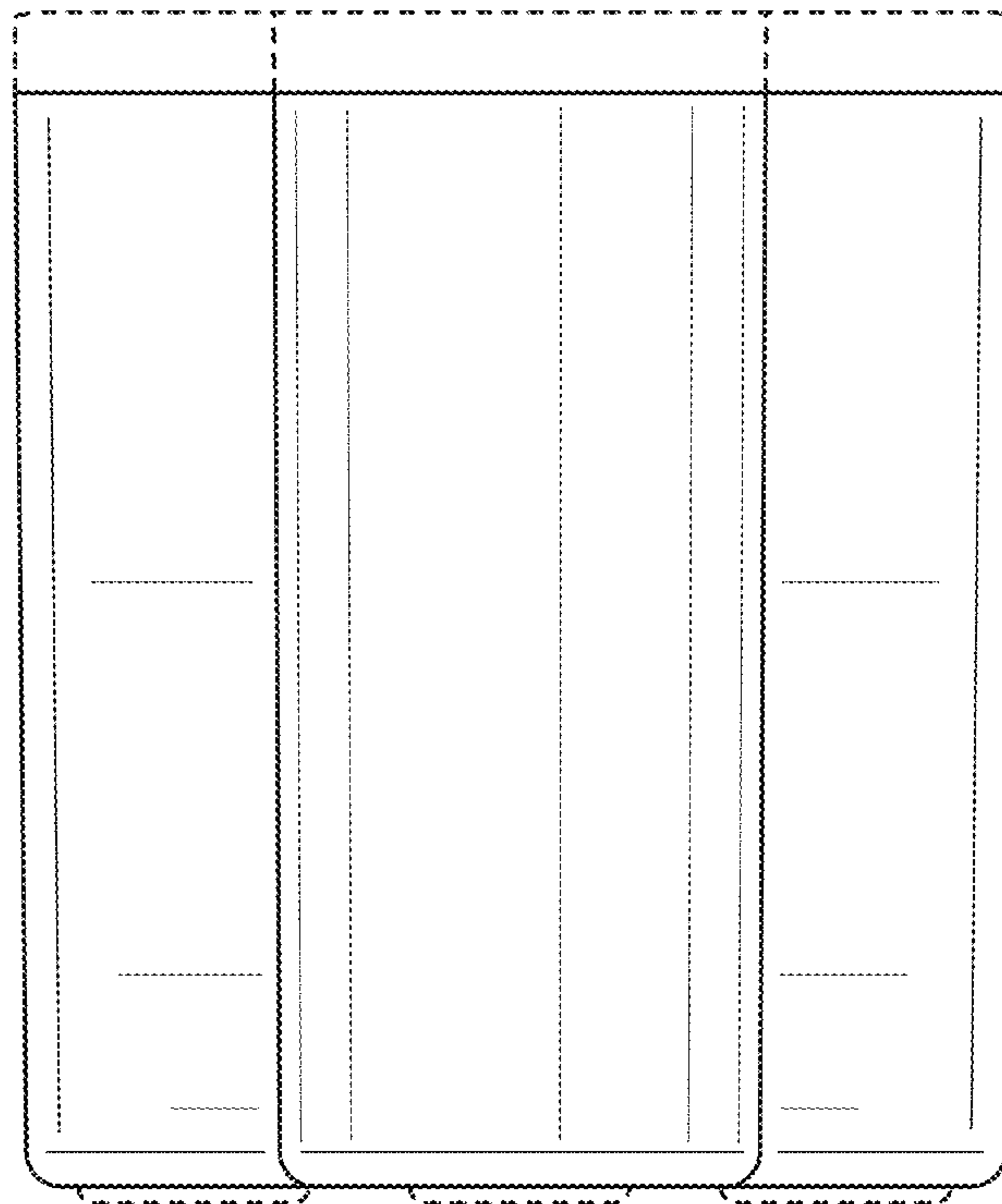


FIG. 3

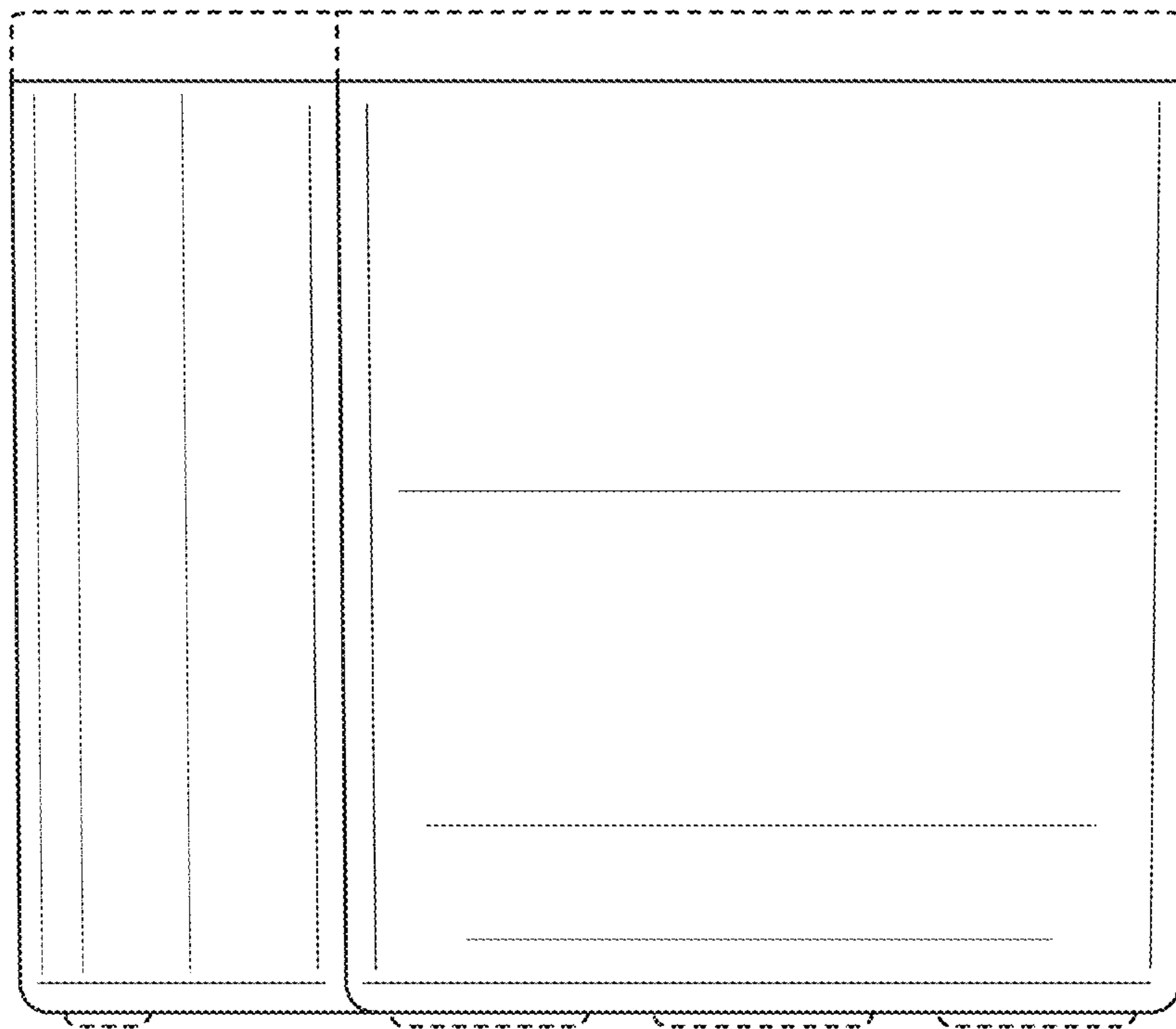


FIG. 4

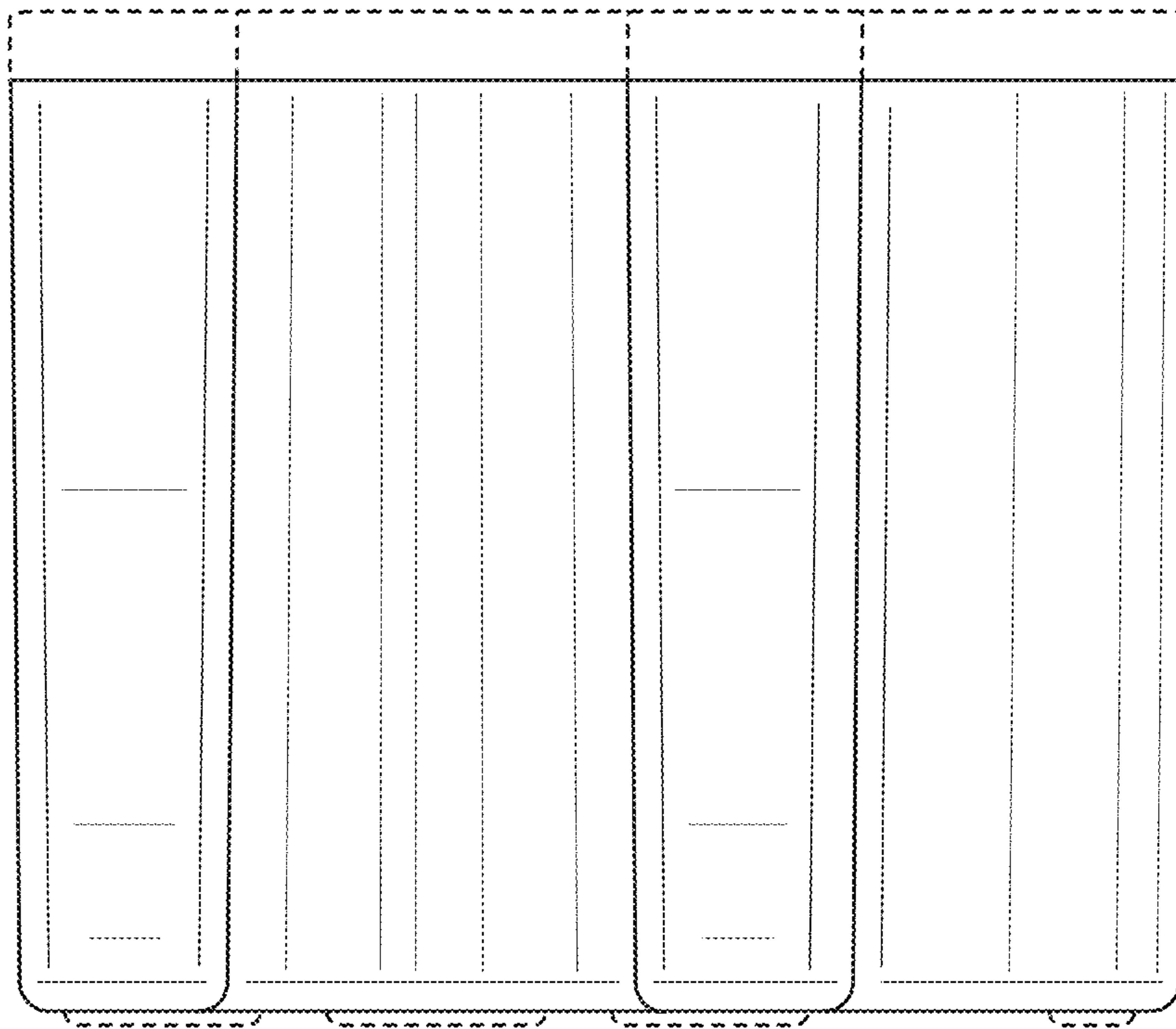


FIG. 5

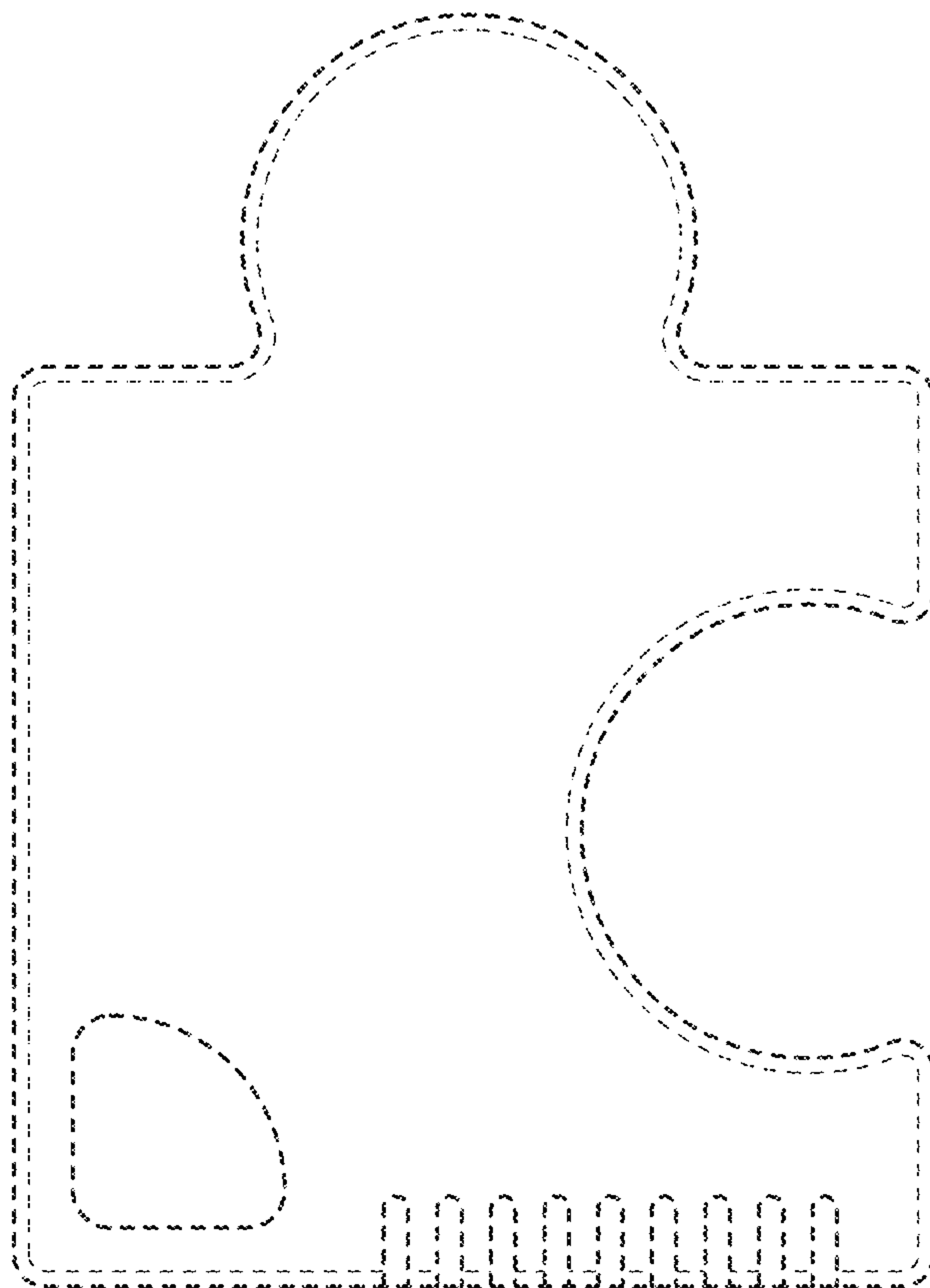


FIG. 6

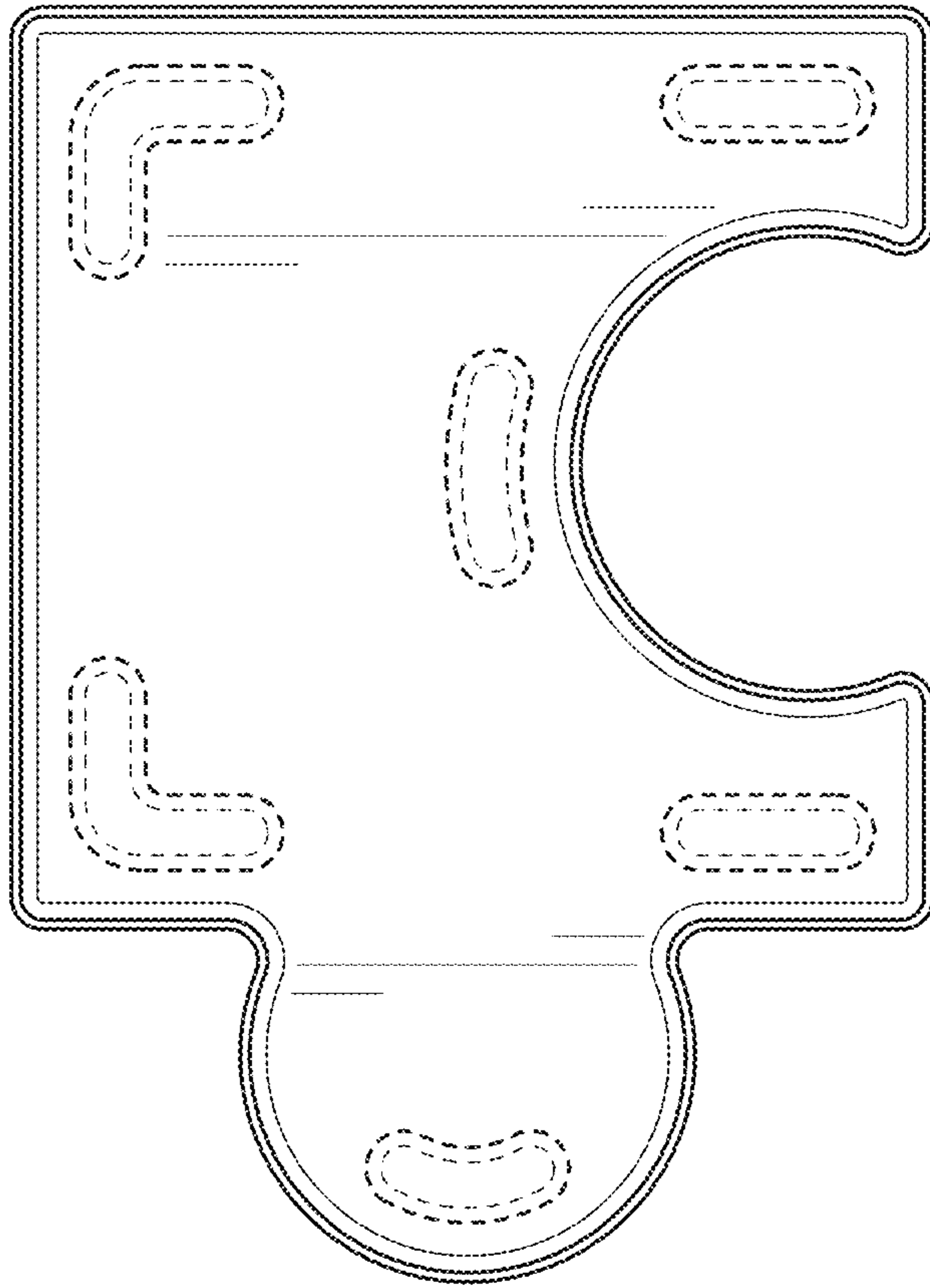


FIG. 7

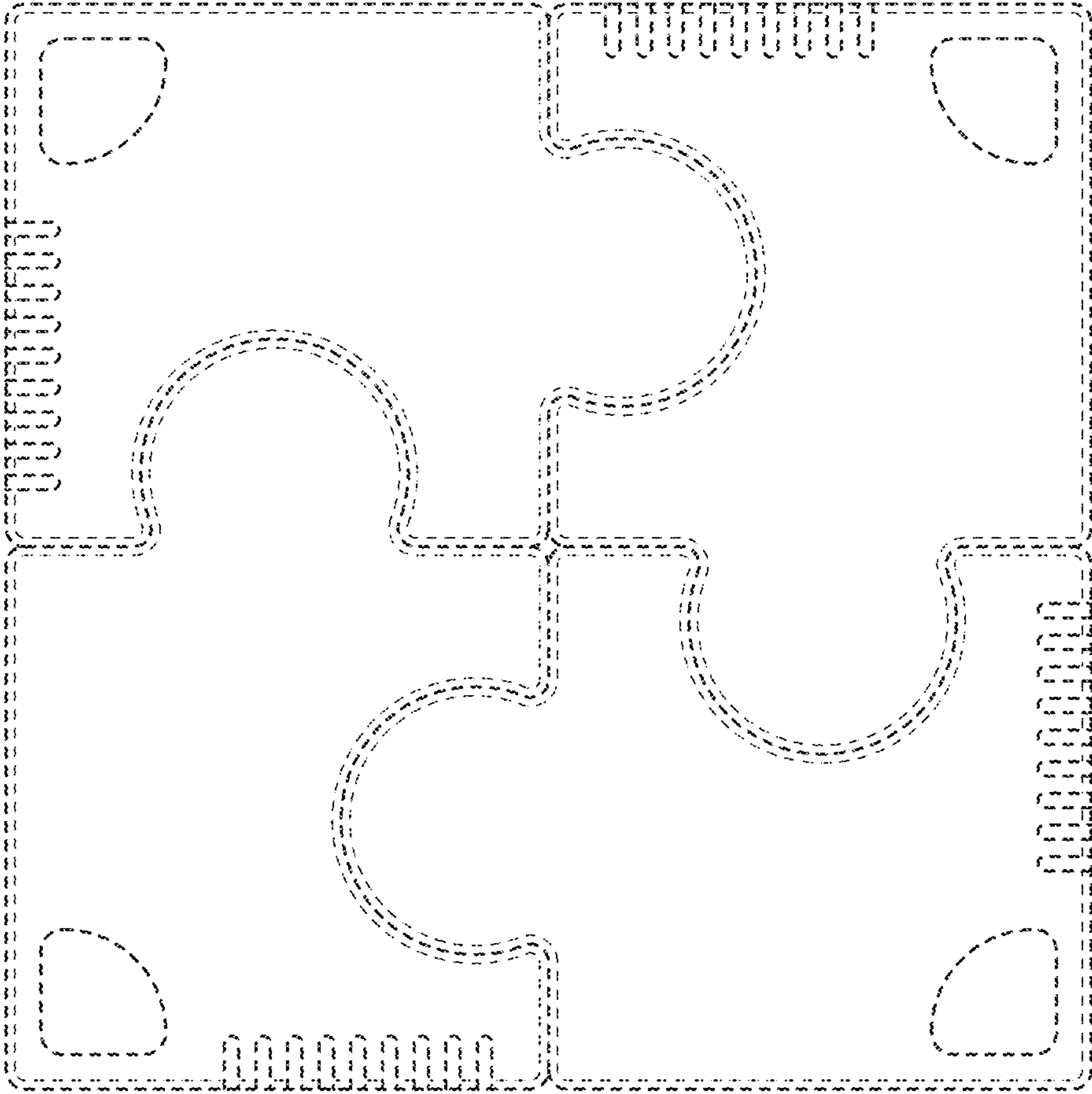


FIG. 8

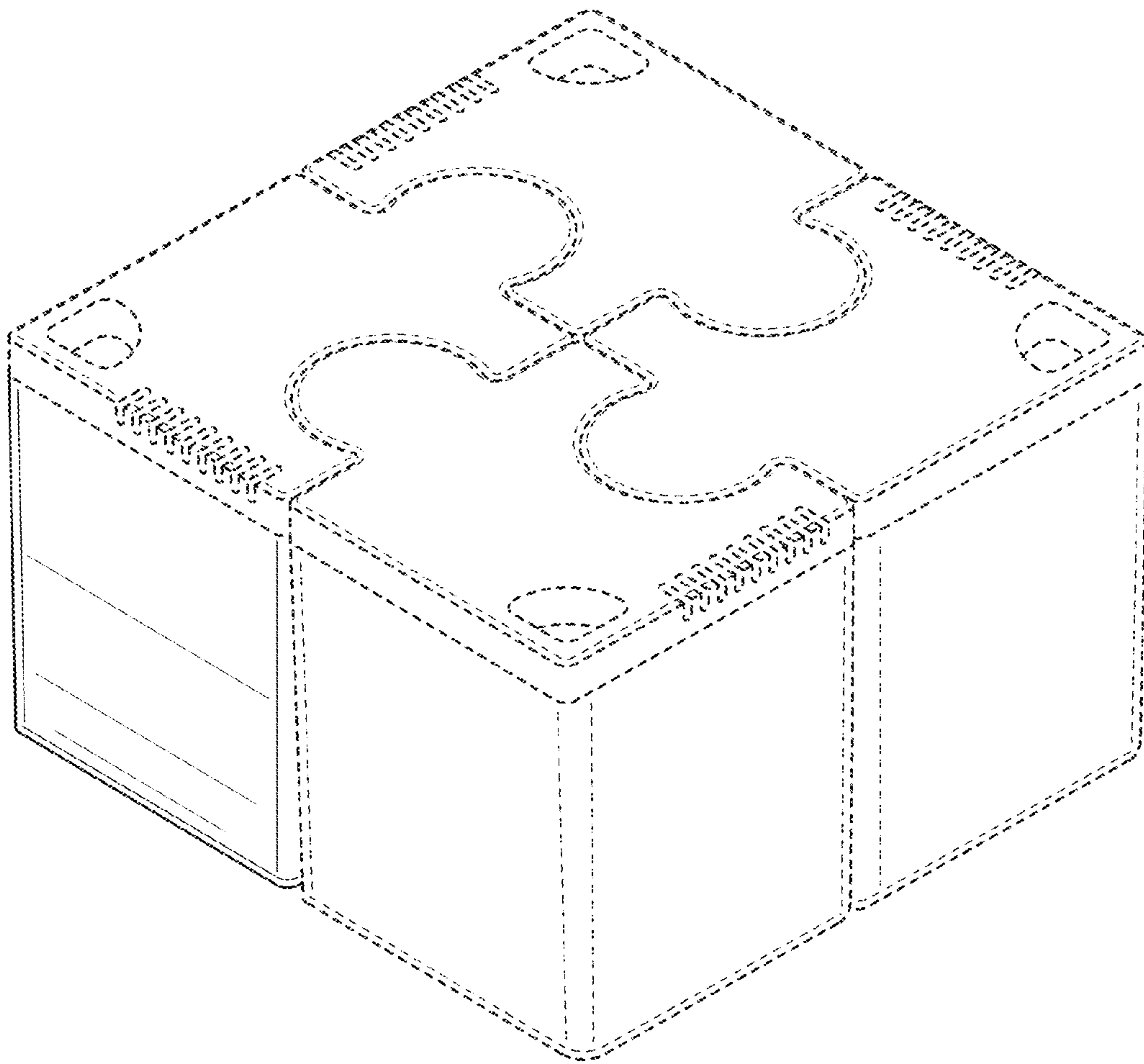


FIG. 9