



US00D749794S

(12) **United States Design Patent**
Noordzij et al.

(10) **Patent No.:** **US D749,794 S**

(45) **Date of Patent:** **** Feb. 16, 2016**

(54) **HELMET MOUNTED SHROUD**

8,407,820 B1 * 4/2013 Chou 2/448
D692,620 S * 10/2013 Gendron D29/122
8,555,423 B2 * 10/2013 Giroux et al. 2/422

(71) Applicant: **Artisent, LLC**, Carbondale, PA (US)

(72) Inventors: **Duco W. Noordzij**, Roslindale, MA (US); **Matthew Hanudel**, Waltham, MA (US)

(73) Assignee: **ARTISENT, LLC**, Simpson, PA (US)

(**) Term: **14 Years**

(21) Appl. No.: **29/504,746**

(22) Filed: **Oct. 9, 2014**

(51) **LOC (10) Cl.** **29-02**

(52) **U.S. Cl.**
USPC **D29/122**

(58) **Field of Classification Search**
USPC D29/100, 102-110, 122; D2/891, 893, D2/894; D24/110.1, 110.2, 191; 2/410, 2/411, 412, 424, 425, 10, 15, 452, 454, 9, 2/206; 128/857, 858
CPC F41H 1/08; A42B 3/04
See application file for complete search history.

(56) **References Cited**

U.S. PATENT DOCUMENTS

6,938,276 B1 * 9/2005 Prendergast 2/422
6,986,162 B2 * 1/2006 Soto et al. 2/6.3
6,992,275 B1 * 1/2006 Knapp 250/214 VT
7,219,370 B1 * 5/2007 Teetzel et al. 2/6.2
D616,156 S * 5/2010 Bugno et al. D29/122
D630,842 S * 1/2011 Fonseca D3/228
7,963,426 B2 * 6/2011 Gruebel et al. 224/181
8,239,971 B2 * 8/2012 Prendergast 2/422
8,245,326 B1 * 8/2012 Tolve 2/422

OTHER PUBLICATIONS

OPS-CORE 2012 Product Catalog; www.ops-core.com; Boston, MA, US; 44 pages; disclosed on or before Dec. 31, 2012.
OPS-CORE 2013 Product Catalog; www.ops-core.com; Boston, MA, US; 44 pages; first disclosed on Jan. 14, 2013.

* cited by examiner

Primary Examiner — Randall Gholson

(74) *Attorney, Agent, or Firm* — Morgan, Lewis & Bockius LLP

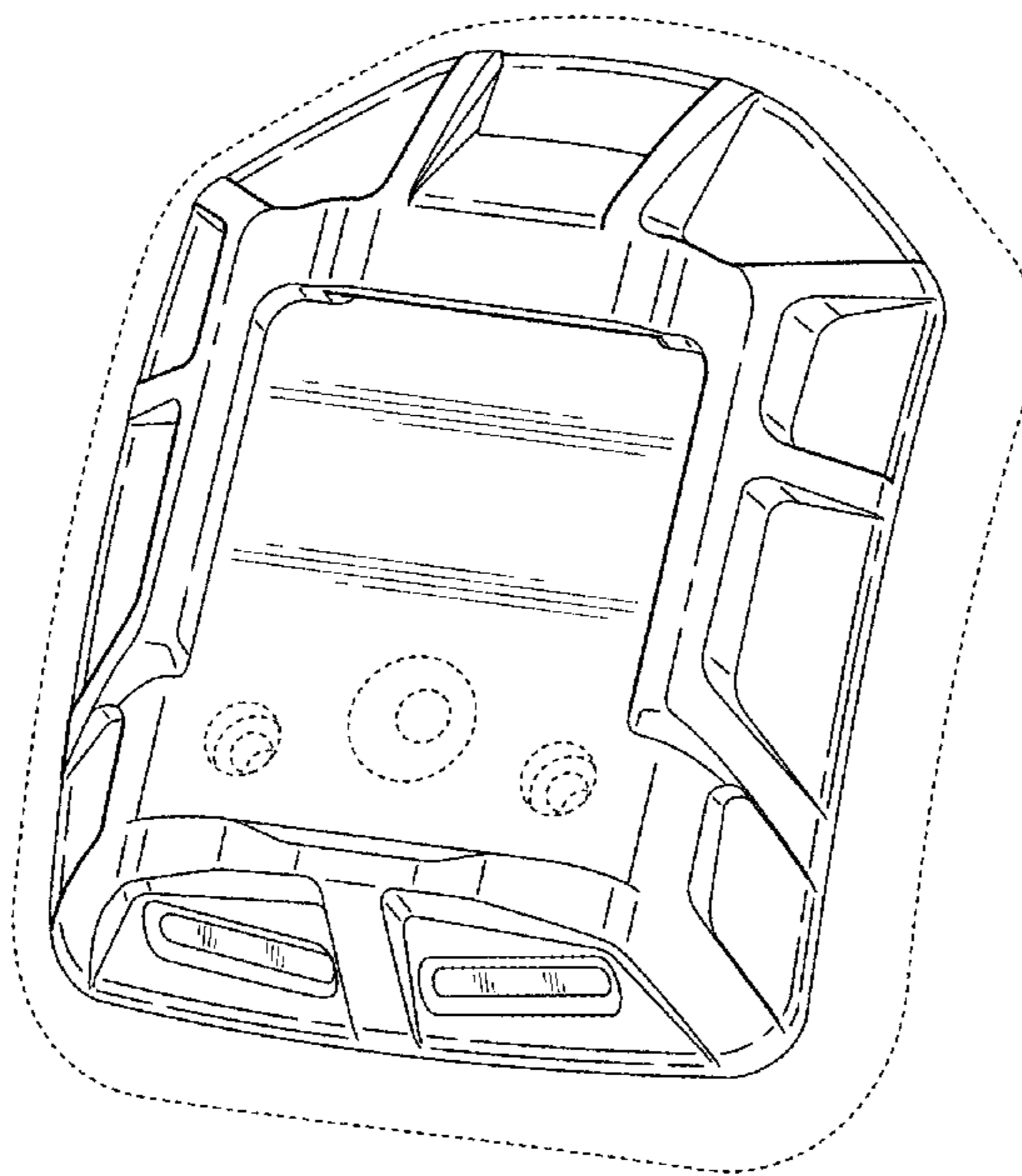
(57) **CLAIM**

The ornamental design for a helmet mounted shroud, as shown and described.

DESCRIPTION

FIG. 1 is a front perspective view of a helmet mounted shroud in accordance with our new design;
FIG. 2 is a left-side elevational view of the helmet mounted shroud shown in FIG. 1, the right-side elevational view being a mirror image;
FIG. 3 is a bottom elevational view of the helmet mounted shroud shown in FIG. 1;
FIG. 4 is a top elevational view of the helmet mounted shroud shown in FIG. 1;
FIG. 5 is a front plan view of the helmet mounted shroud shown in FIG. 1; and,
FIG. 6 is a rear plan view of the helmet mounted shroud shown in FIG. 1.
The broken lines shown in the drawings represent portions of the helmet mounted shroud that form no part of the claimed design.

1 Claim, 4 Drawing Sheets



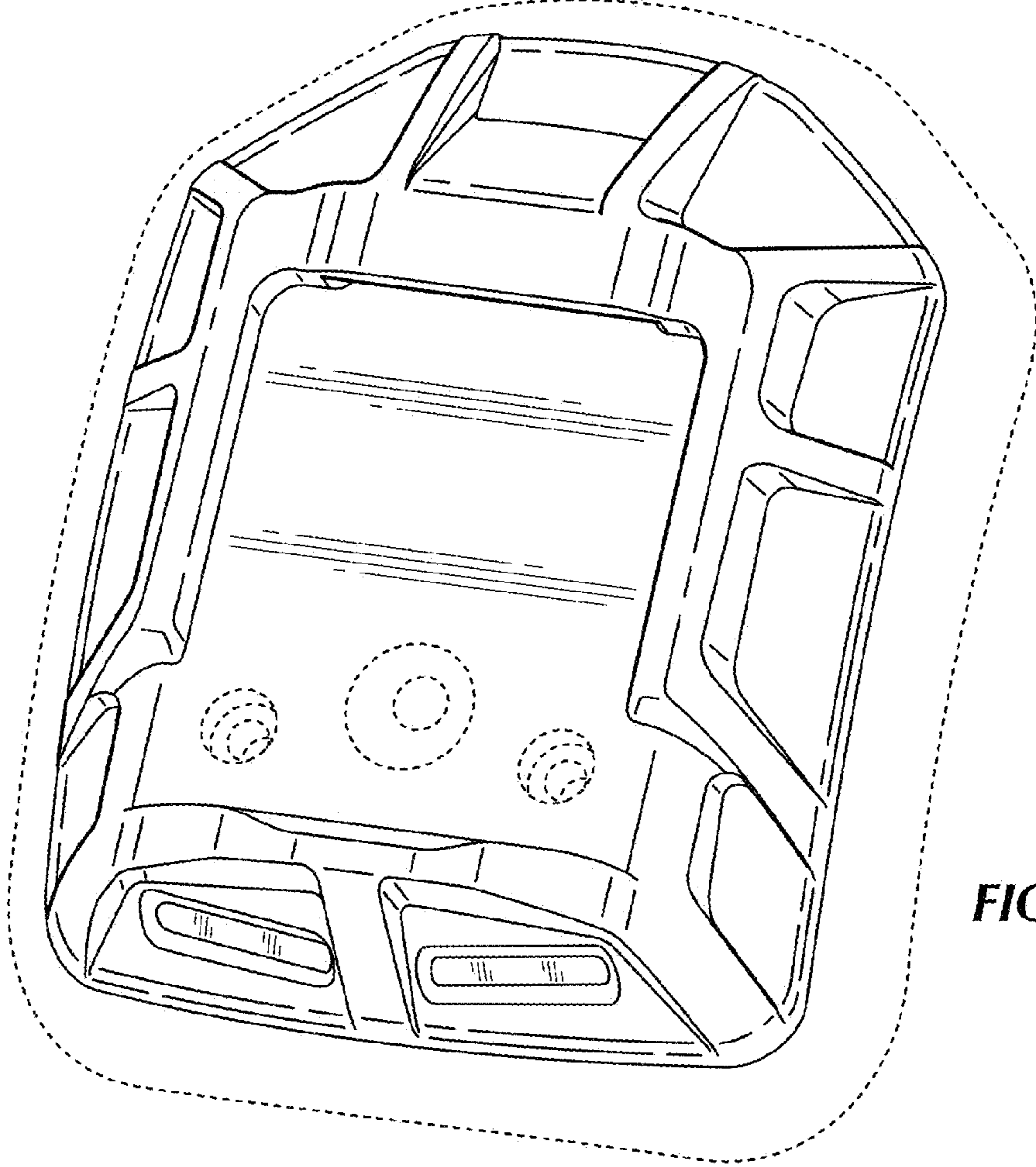


FIG. 1

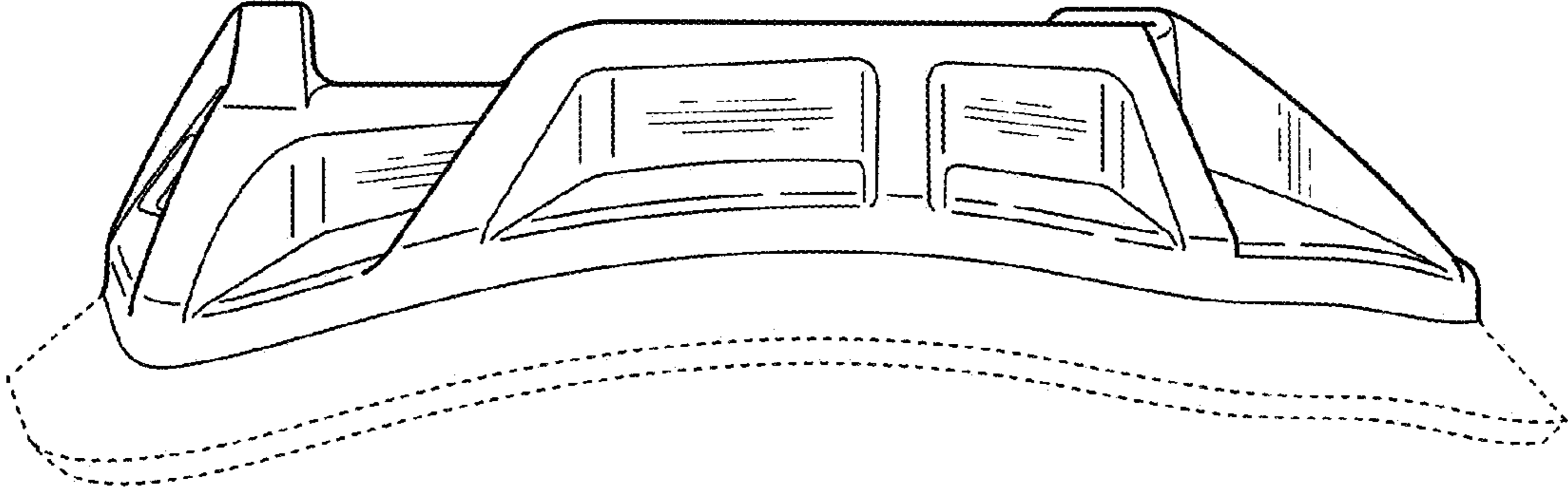


FIG. 2

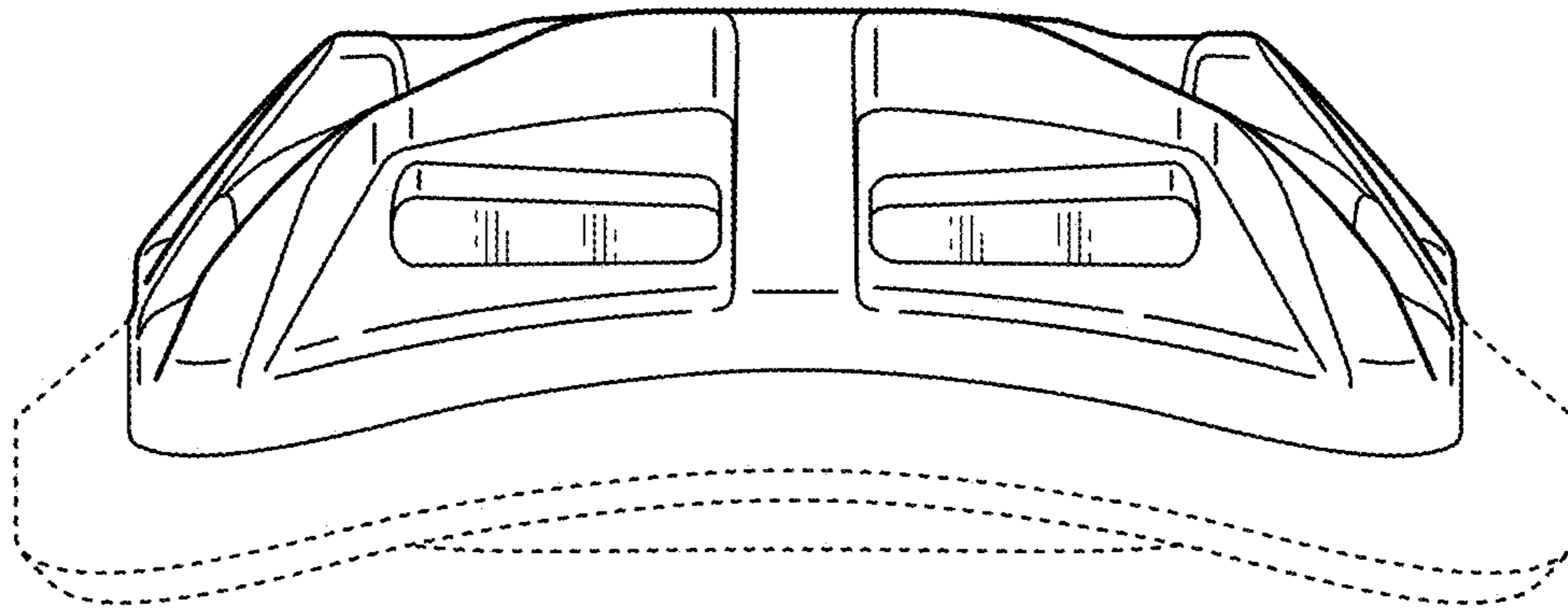


FIG. 3

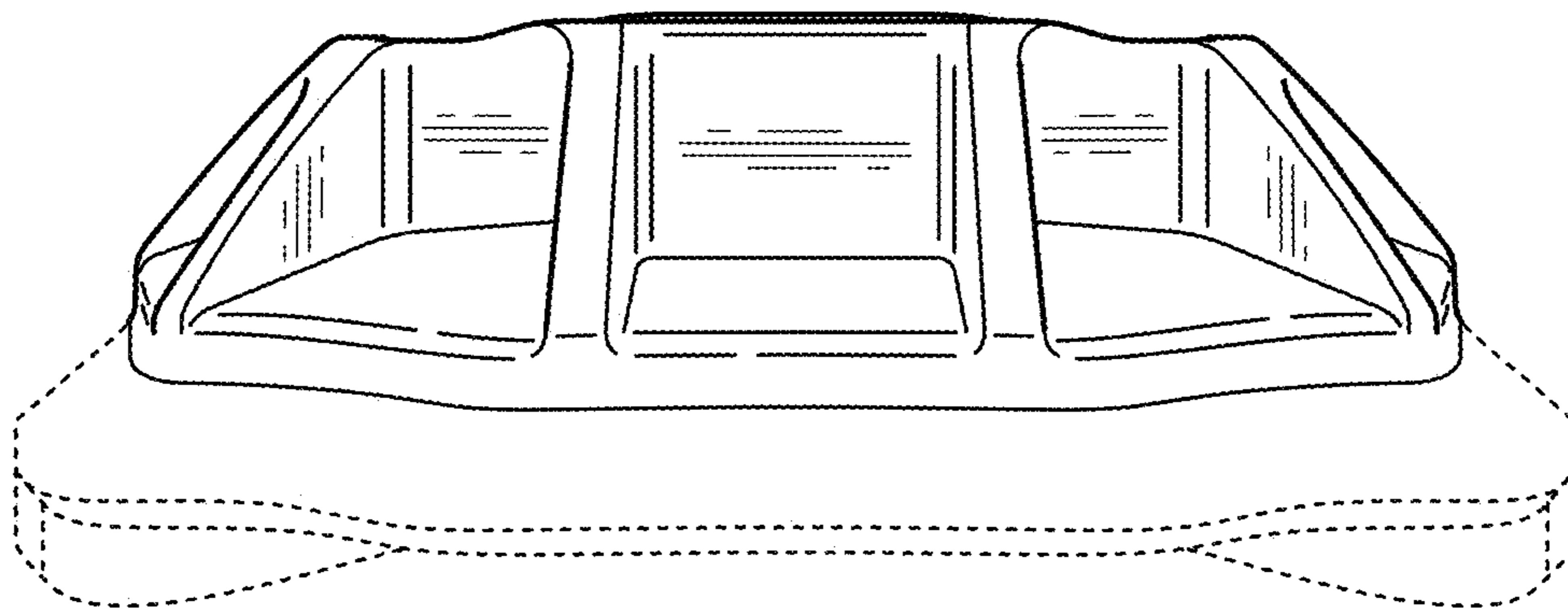


FIG. 4

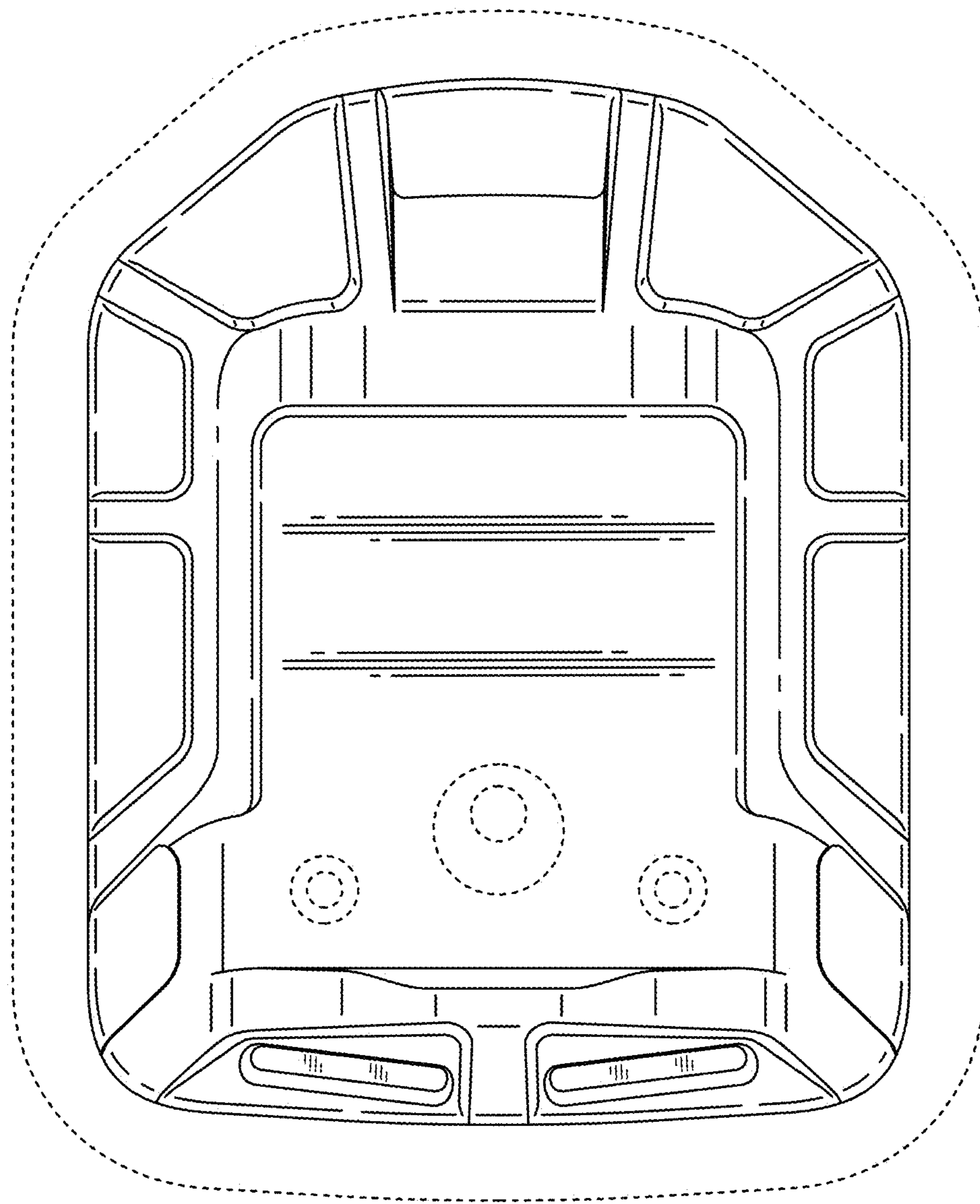


FIG. 5

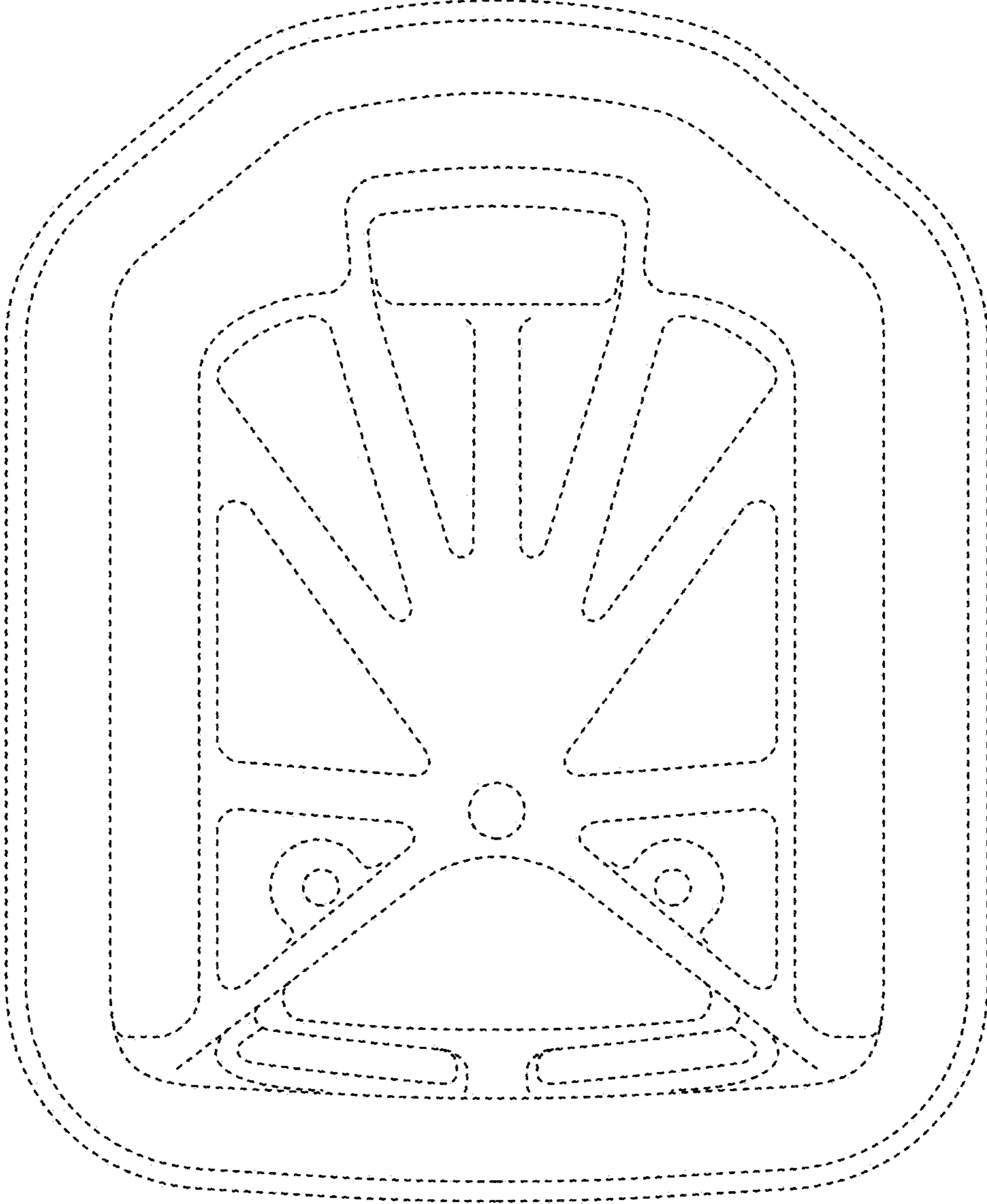


FIG. 6