



US00D749786S

(12) **United States Design Patent**
Werner

(10) **Patent No.:** **US D749,786 S**
(45) **Date of Patent:** **** Feb. 16, 2016**

- (54) **HAIR CLIPPER**
- (71) Applicant: **ANDIS COMPANY**, Sturtevant, WI (US)
- (72) Inventor: **Edwin A. Werner**, Union Grove, WI (US)
- (73) Assignee: **ANDIS COMPANY**, Sturtevant, WI (US)
- (**) Term: **14 Years**
- (21) Appl. No.: **29/504,330**
- (22) Filed: **Oct. 3, 2014**
- (51) **LOC (10) Cl.** **28-03**
- (52) **U.S. Cl.**
USPC **D28/53**
- (58) **Field of Classification Search**
USPC D28/44, 49-54
CPC B26B 19/00-19/107; B26B 19/12-19/22;
B26B 19/28-19/36; B26B 19/3806-19/3826;
B26B 19/384; B26B 19/3846; B26B
19/3853-19/3866; B26B 19/3886; B26B
19/42; B26B 19/38
See application file for complete search history.

D597,253 S *	7/2009	Eddinger	D28/54
D637,760 S *	5/2011	Tasar	D28/53
D695,964 S *	12/2013	Salagnac	D28/53
D717,001 S *	11/2014	Uematsu	D28/53
D721,205 S *	1/2015	Colle	D28/53
D722,200 S *	2/2015	Nitsch	D28/53
D722,723 S *	2/2015	Nitsch	D28/53
2012/0233865 A1 *	9/2012	Kammer	B26B 19/3846 30/201

* cited by examiner

Primary Examiner — Jennifer Rivard

(74) *Attorney, Agent, or Firm* — Michael Best & Friedrich LLP

(57) **CLAIM**

I claim the ornamental design for hair clipper, as shown and described.

DESCRIPTION

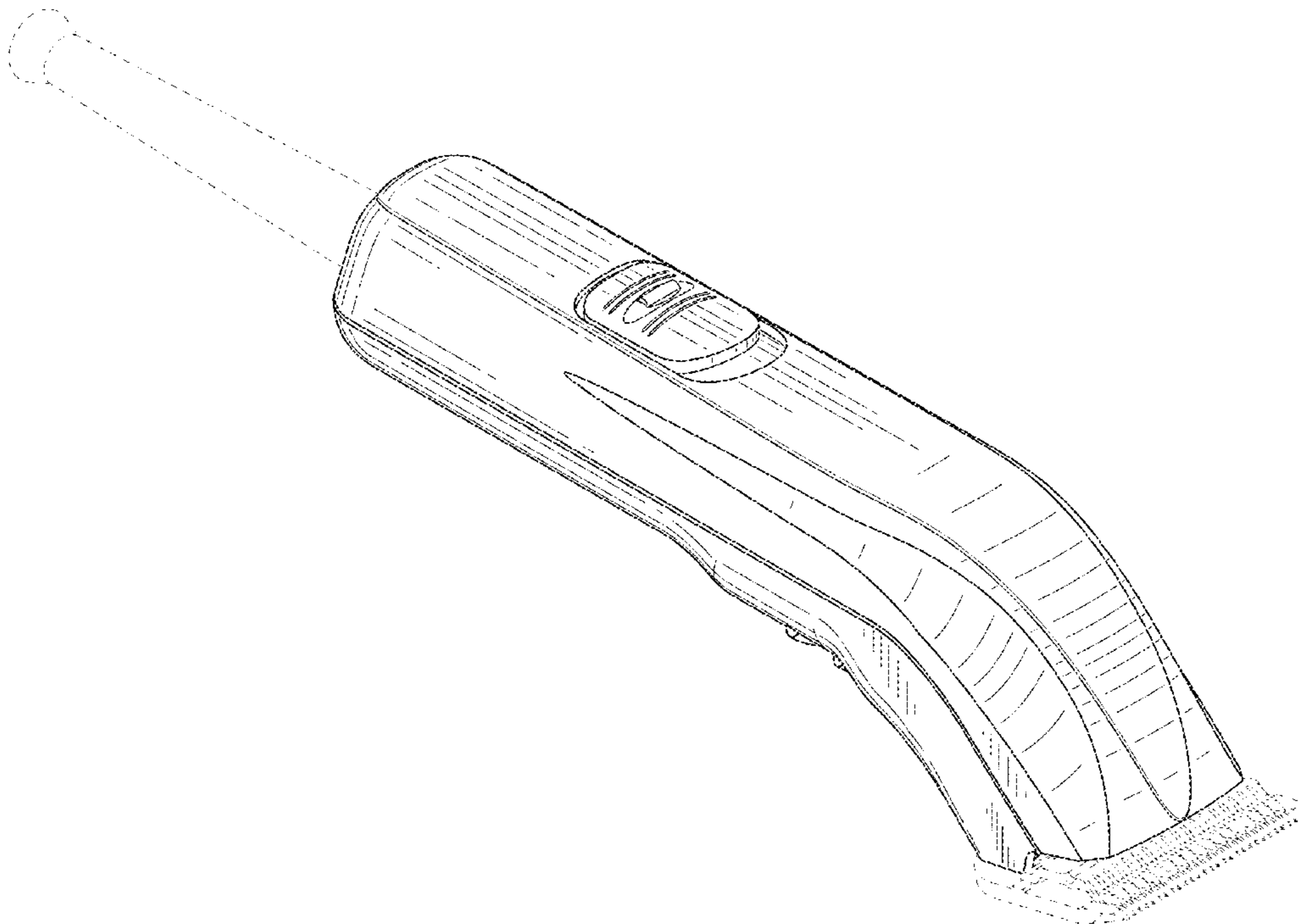
FIG. 1 is an isometric view of a hair clipper according to an embodiment showing the new design;
 FIG. 2 is a top view thereof;
 FIG. 3 is a bottom view thereof;
 FIG. 4 is an elevation view of a first side thereof;
 FIG. 5 is an elevation view of a second side thereof;
 FIG. 6 is an elevation view of a first end thereof; and,
 FIG. 7 is an elevation view of a second end thereof.
 The broken lines illustrate portions of the hair clipper and form no part of the claimed design.

1 Claim, 4 Drawing Sheets

(56) **References Cited**

U.S. PATENT DOCUMENTS

D317,964 S *	7/1991	Smal	D28/49
D573,756 S *	7/2008	Nielsen	D28/53



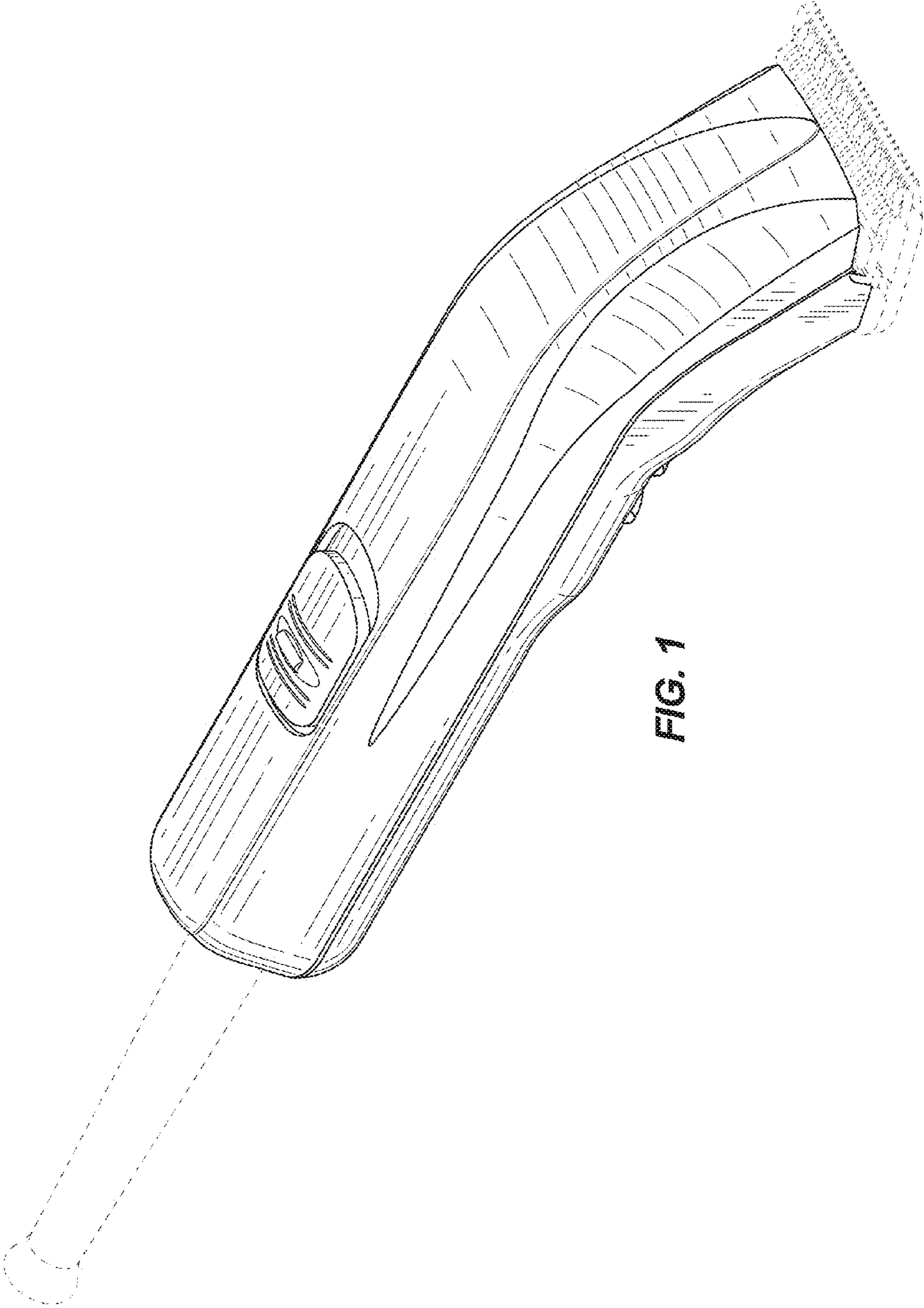


FIG. 1

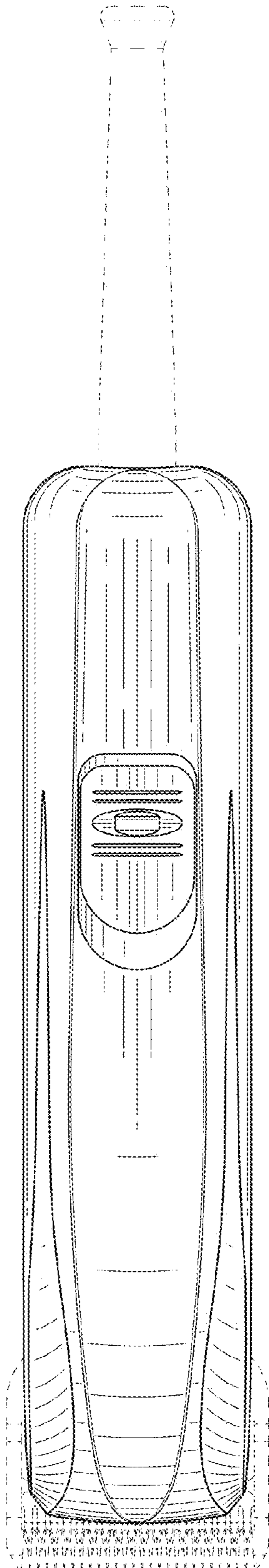


FIG. 2

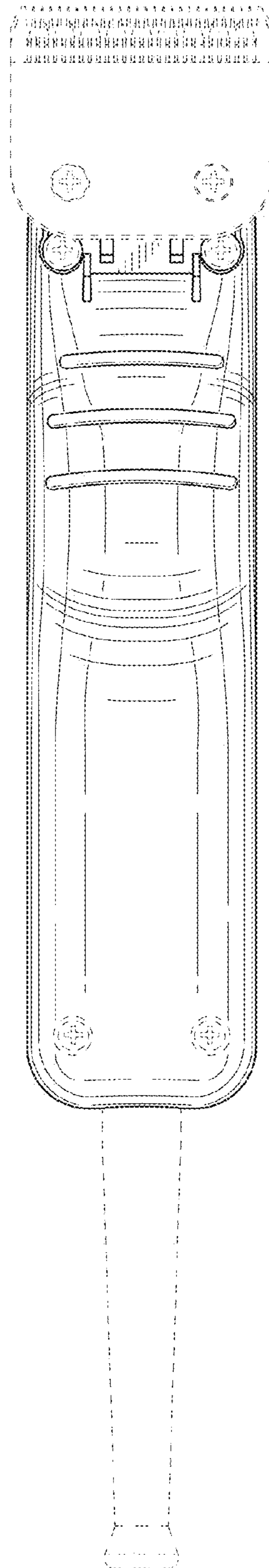


FIG. 3

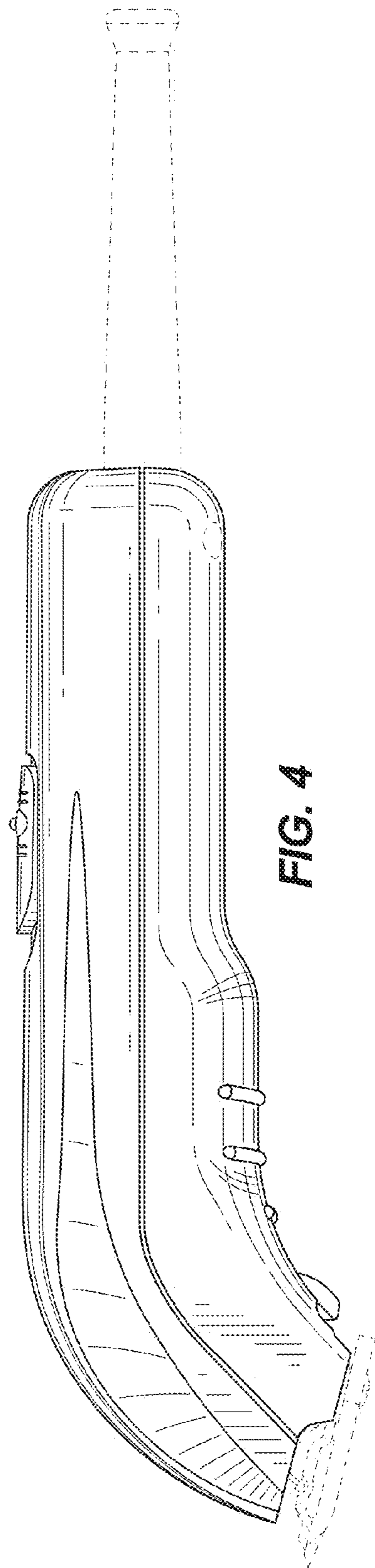


FIG. 4

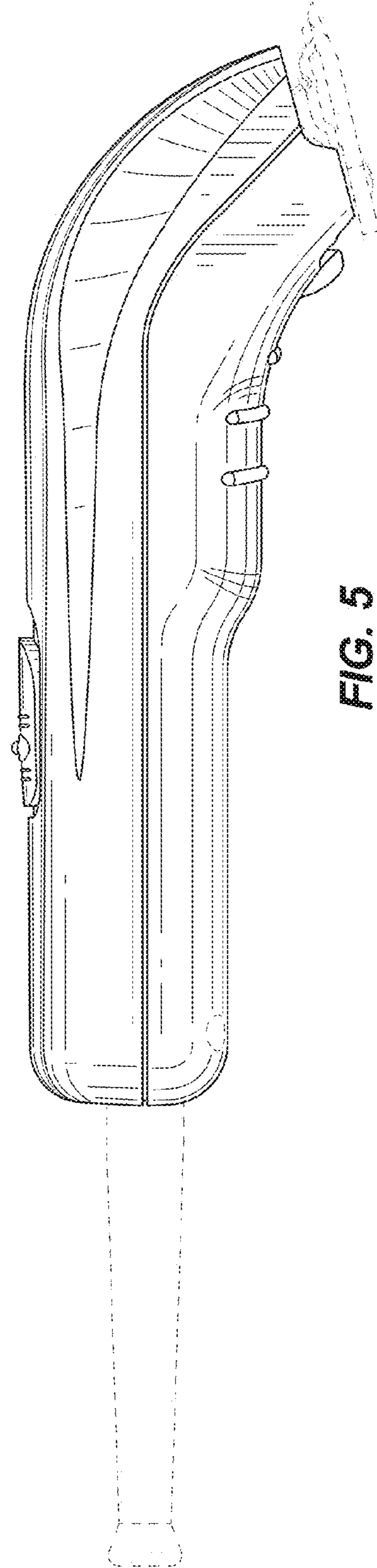


FIG. 5

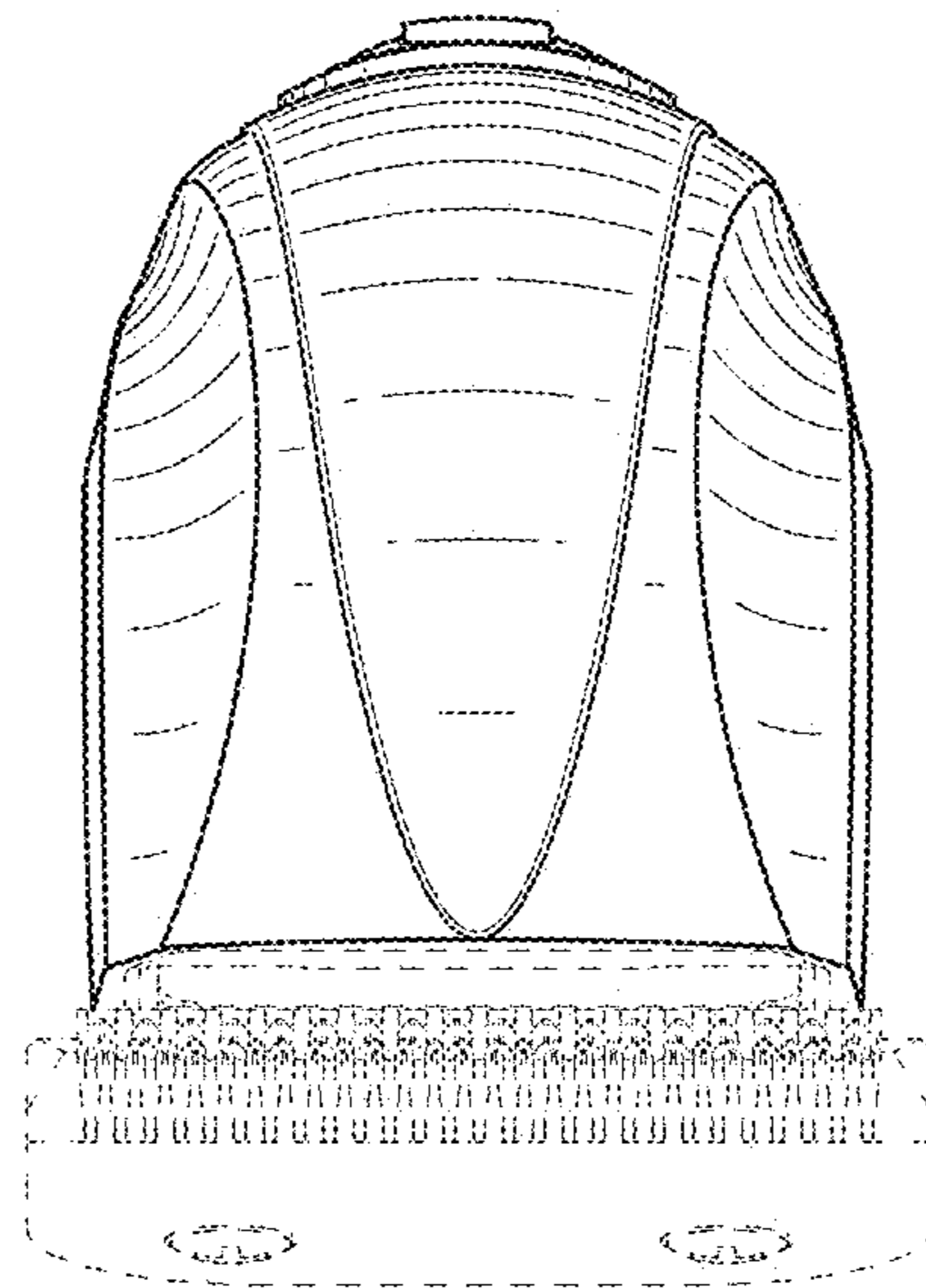


FIG. 6

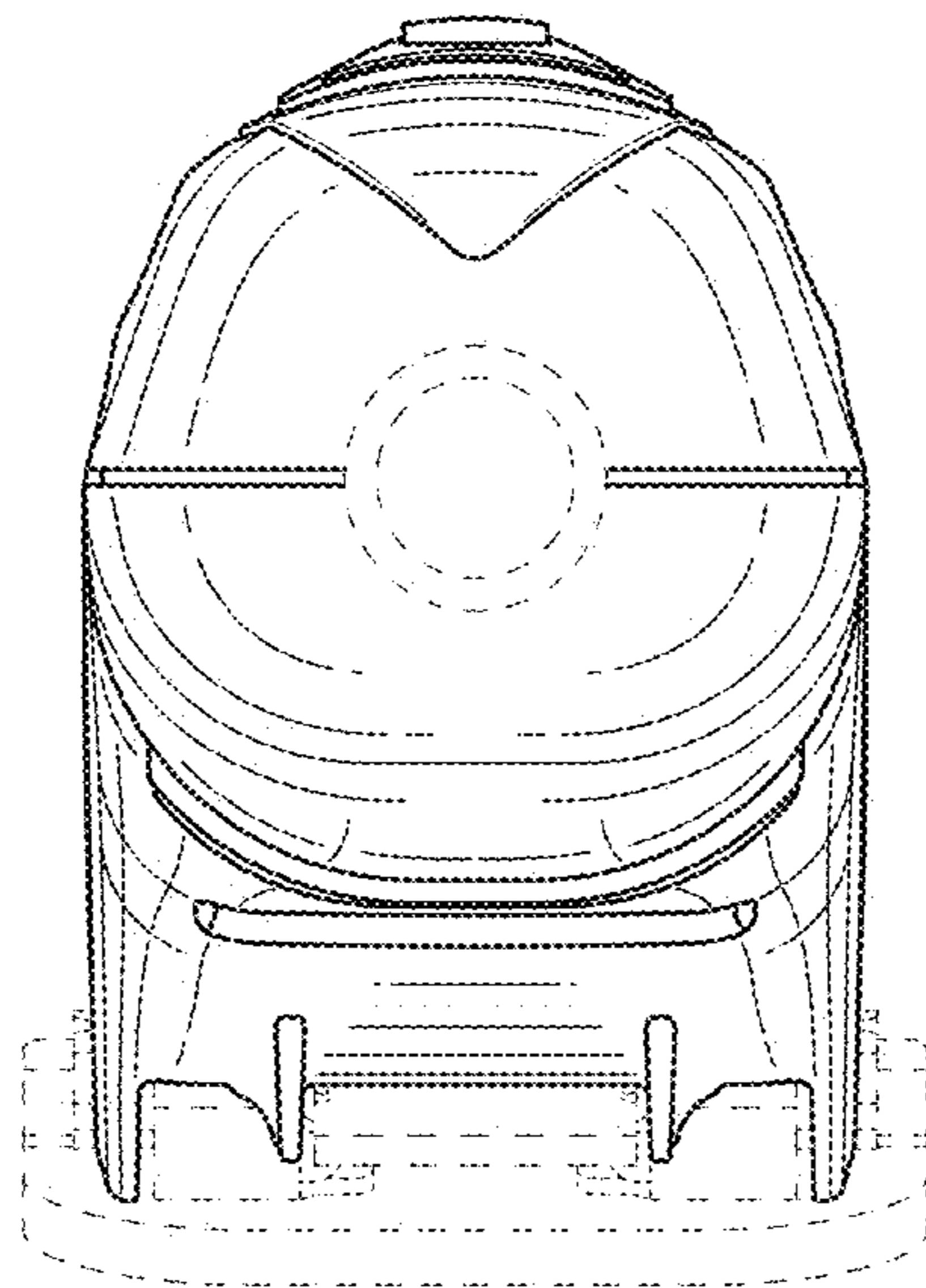


FIG. 7