



US00D749783S

(12) **United States Design Patent**
Norwid

(10) **Patent No.:** **US D749,783 S**

(45) **Date of Patent:** **** Feb. 16, 2016**

(54) **HAIR DRYER TOOL**

(71) Applicant: **Paula Danette Norwid**, Woodway, TX
(US)

(72) Inventor: **Paula Danette Norwid**, Woodway, TX
(US)

(**) Term: **14 Years**

(21) Appl. No.: **29/510,281**

(22) Filed: **Nov. 26, 2014**

(51) **LOC (10) Cl.** **28-03**

(52) **U.S. Cl.**
USPC **D28/18**

(58) **Field of Classification Search**
USPC D28/12-19; 34/96-101; 392/380-385;
219/222

CPC A45D 20/00-20/12
See application file for complete search history.

(56) **References Cited**

U.S. PATENT DOCUMENTS

D377,694 S * 1/1997 Smal D28/18
D381,766 S * 7/1997 Smal D28/18

6,009,883 A * 1/2000 Morrow A45D 2/001
132/211
D425,244 S * 5/2000 Smith D28/18
D426,674 S * 6/2000 Kwong D28/18
D433,182 S * 10/2000 Kwong D28/18
D433,183 S * 10/2000 Kwong D28/18
D670,862 S * 11/2012 Petruccelli, Jr. D28/18

* cited by examiner

Primary Examiner — Zenia Bennett

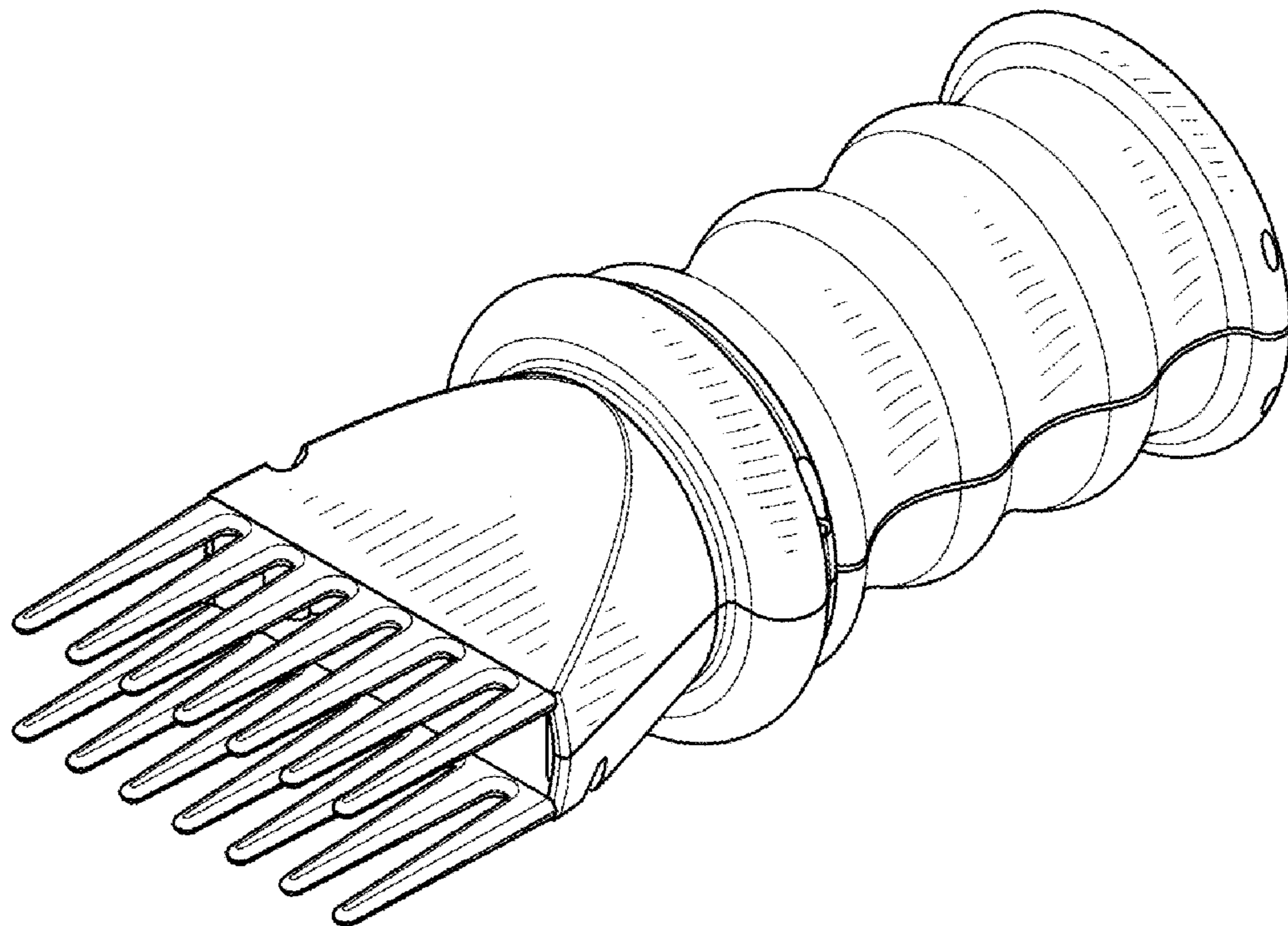
(57) **CLAIM**

The ornamental design for a hair dryer tool, as shown and described.

DESCRIPTION

FIG. 1 is a perspective view of a hair dryer tool, shown in-use; FIG. 2 is a perspective front view of a hair dryer tool; FIG. 3 is a front elevation view of the hair dryer tool; FIG. 4 is a rear elevation view of the hair dryer tool; FIG. 5 is a left elevation view of the hair dryer tool; FIG. 6 is a right elevation view of the hair dryer tool; FIG. 7 is a top elevation view of the hair dryer tool; and, FIG. 8 is a bottom elevation view of the hair dryer tool. The broken lines shown in the drawings illustrate portions of the hair dryer tool that form no part of the claimed design.

1 Claim, 3 Drawing Sheets



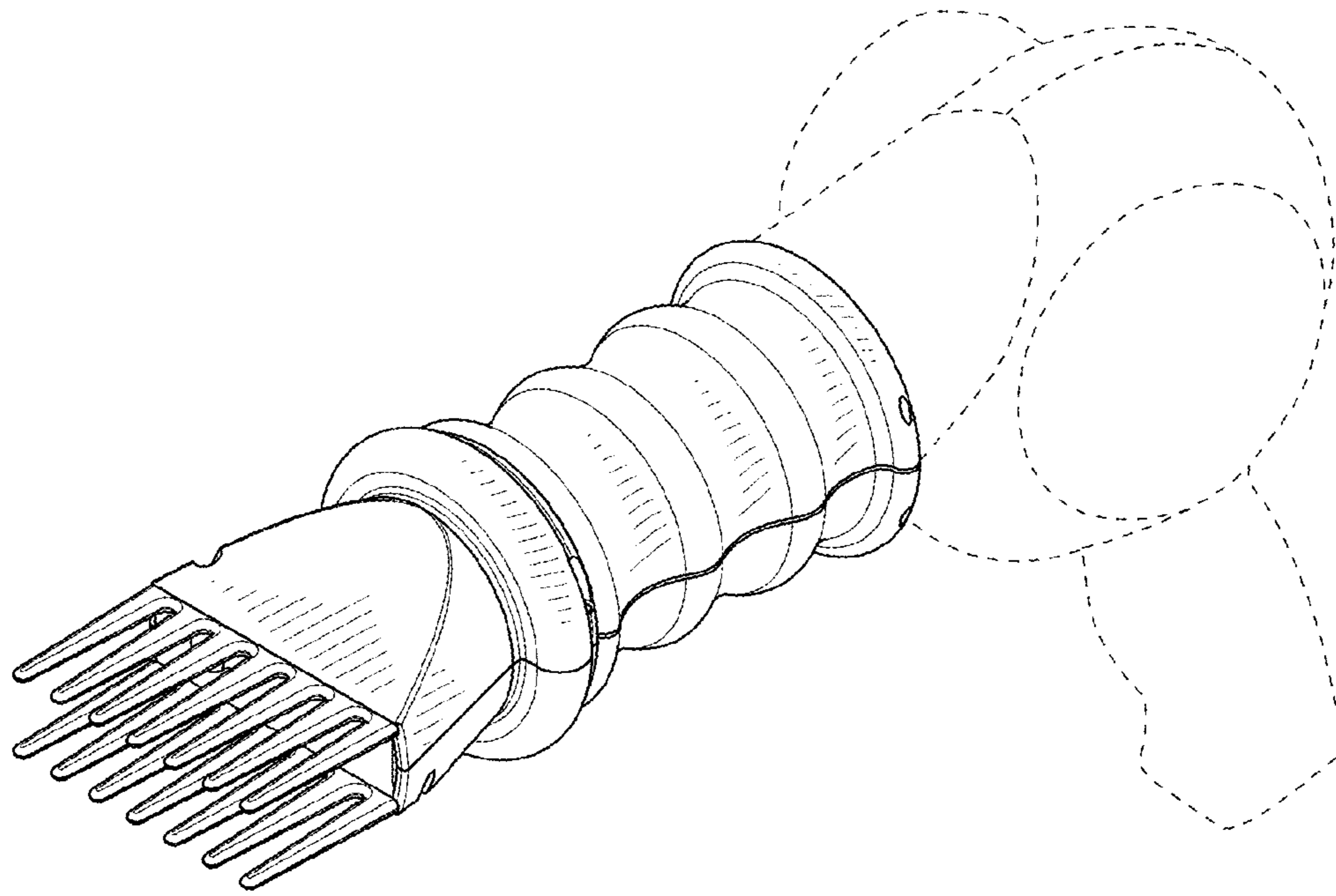


FIG. 1

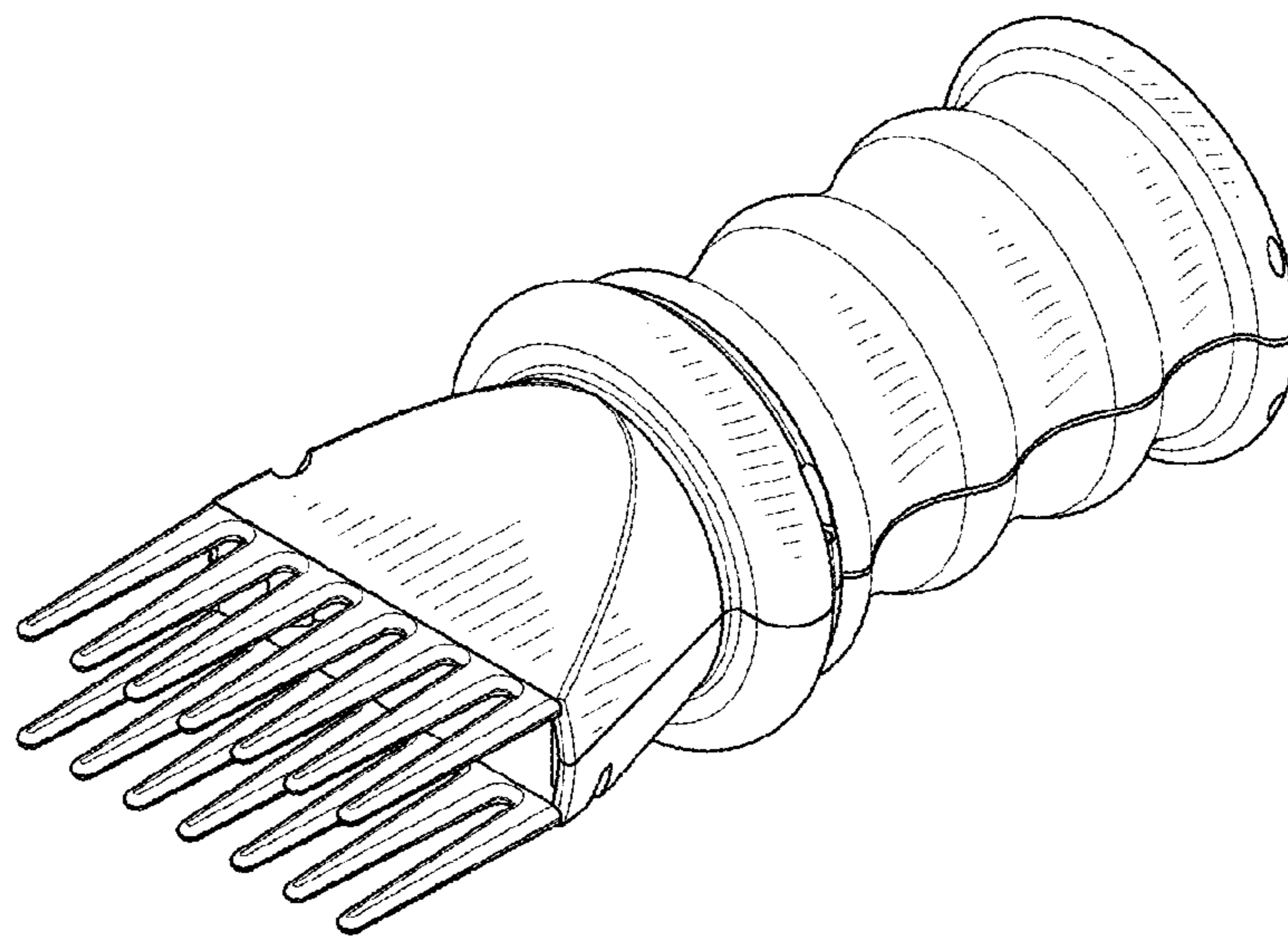


FIG. 2

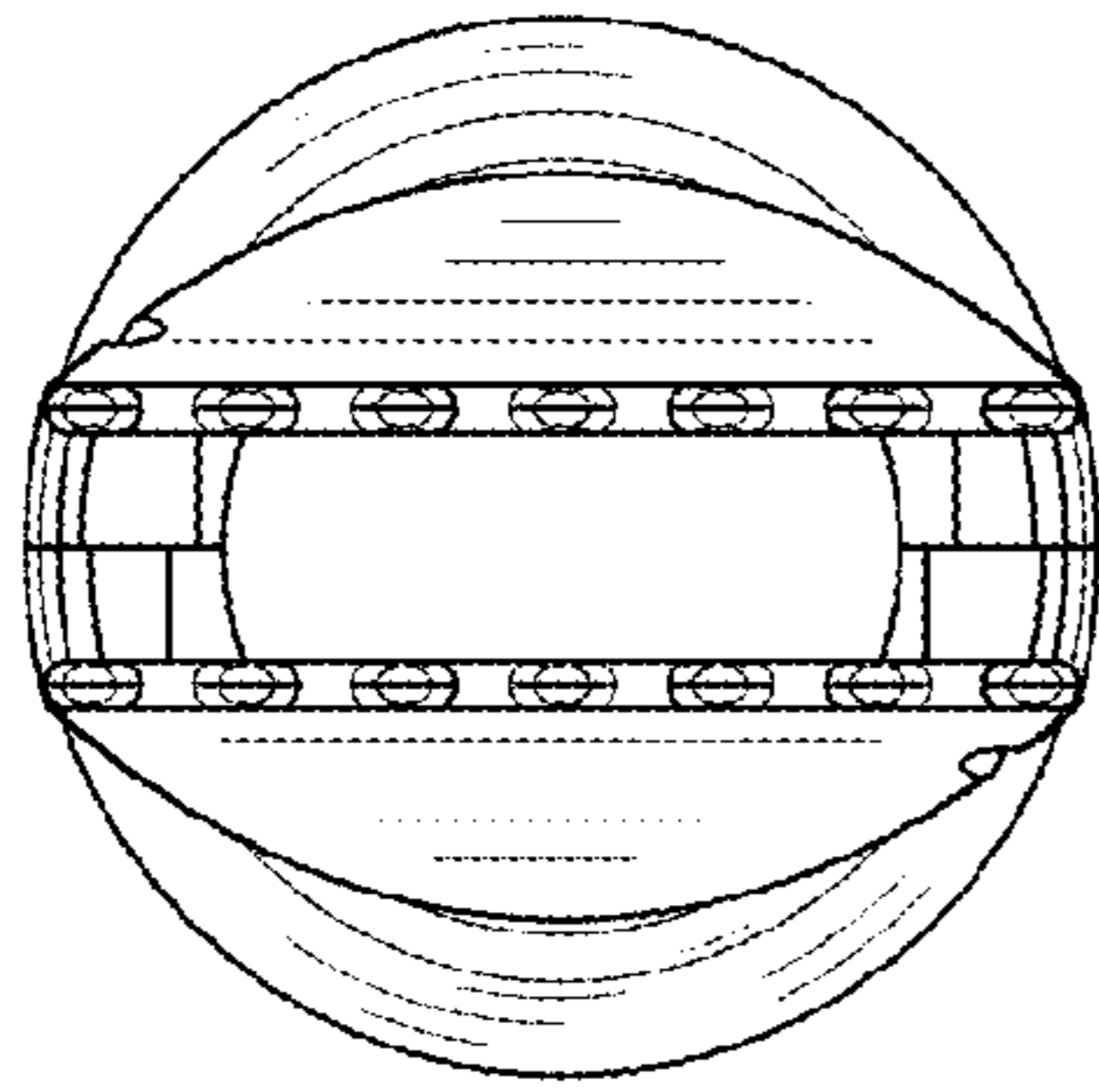


FIG. 3

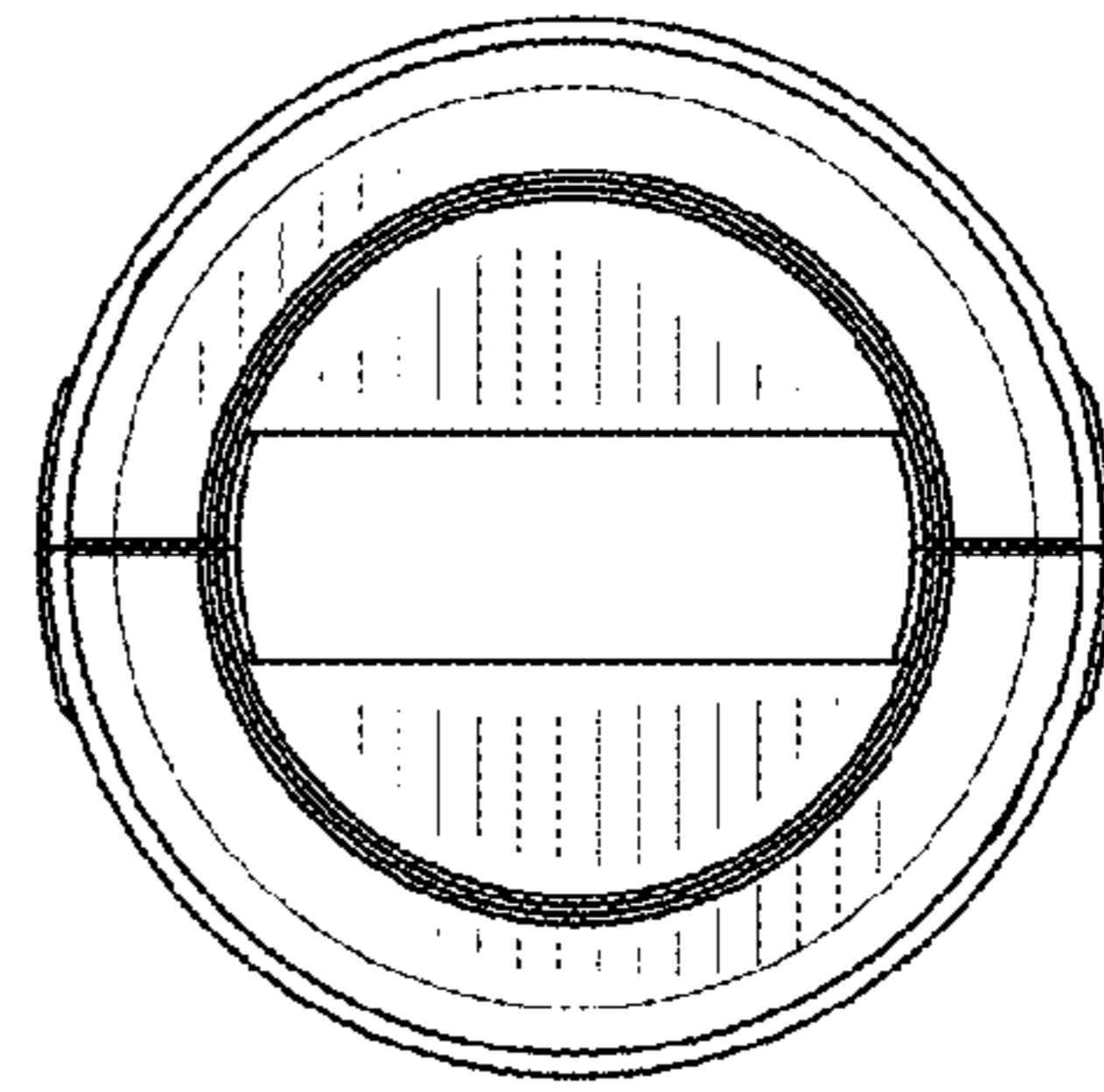


FIG. 4

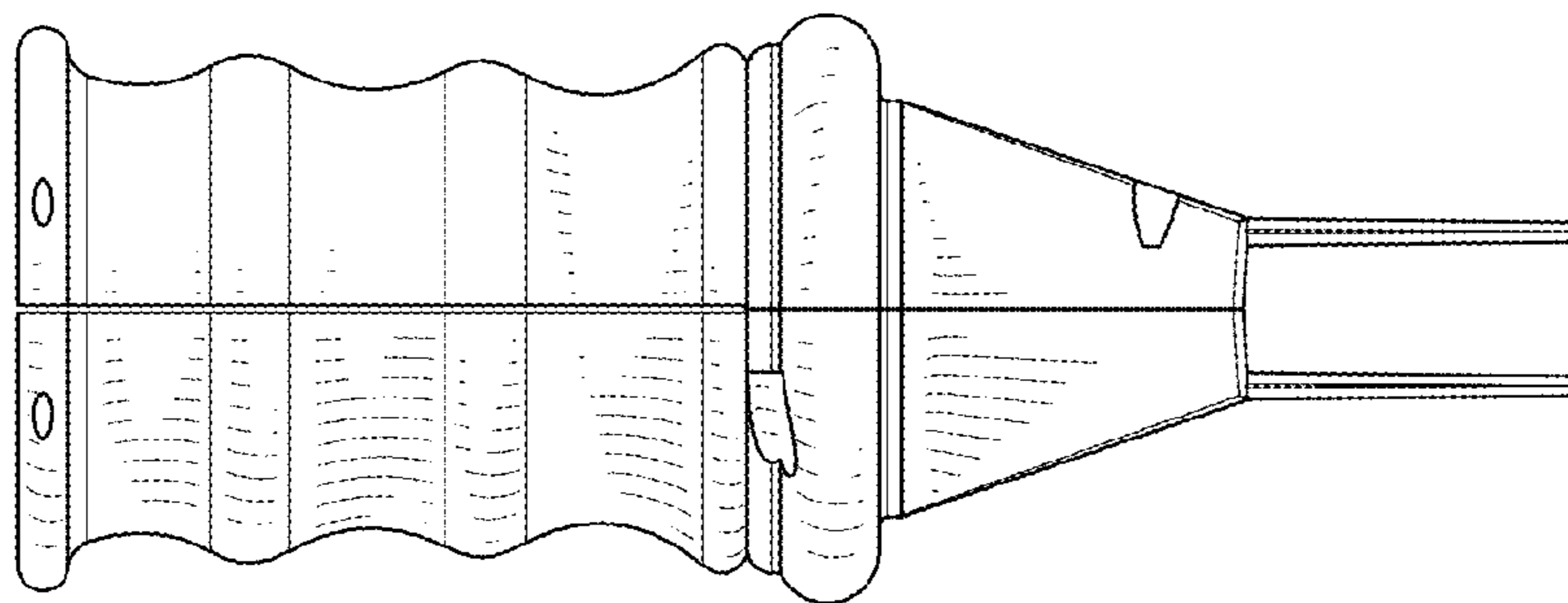


FIG. 5

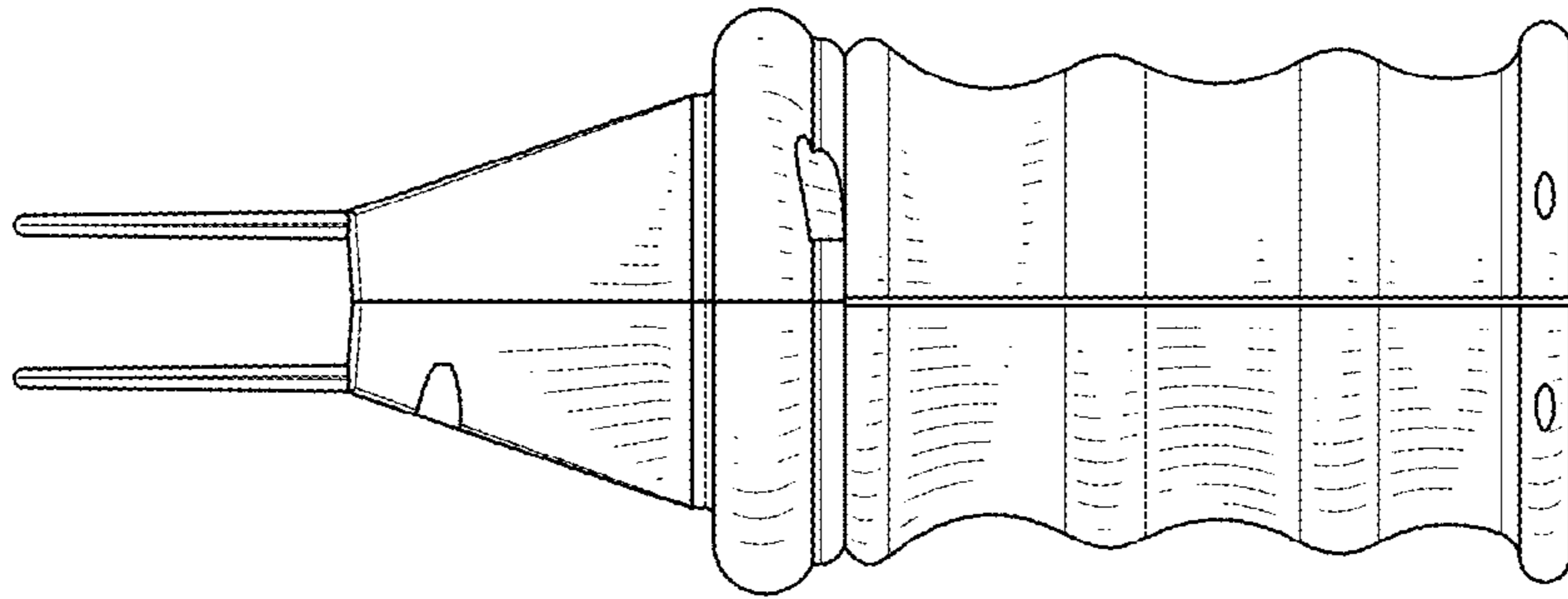


FIG. 6

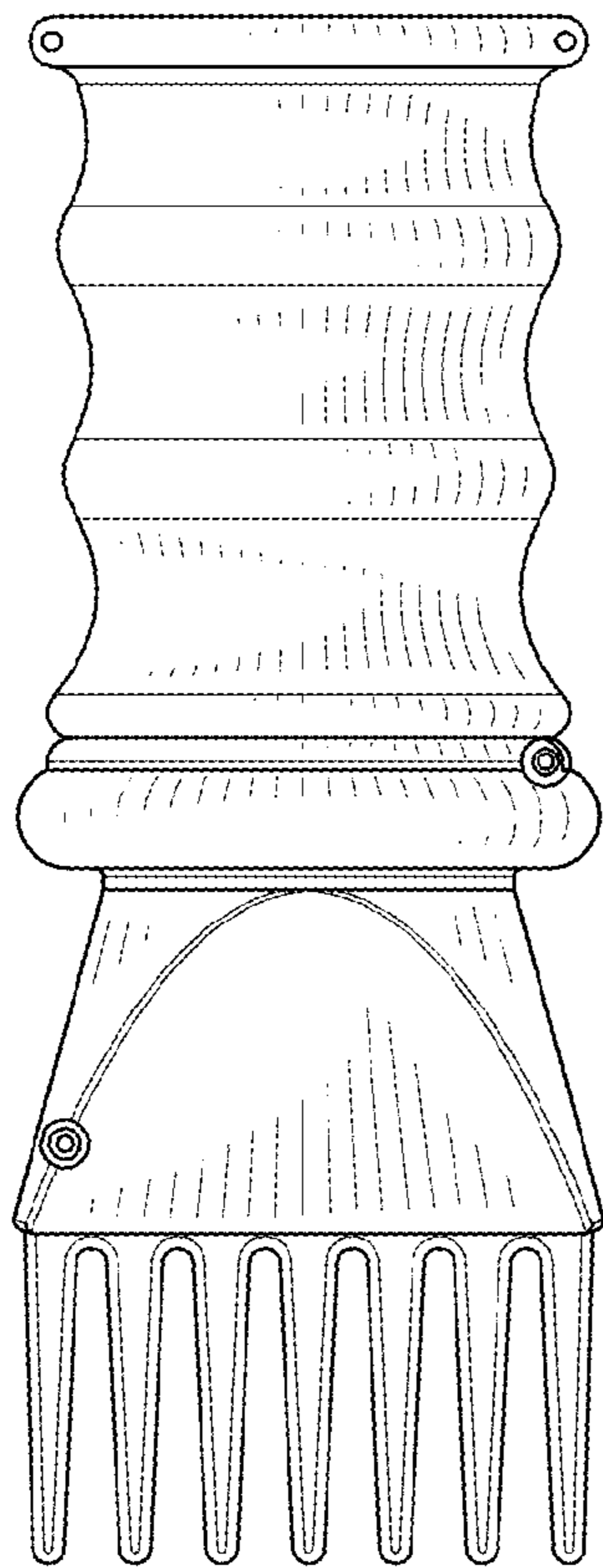


FIG. 7

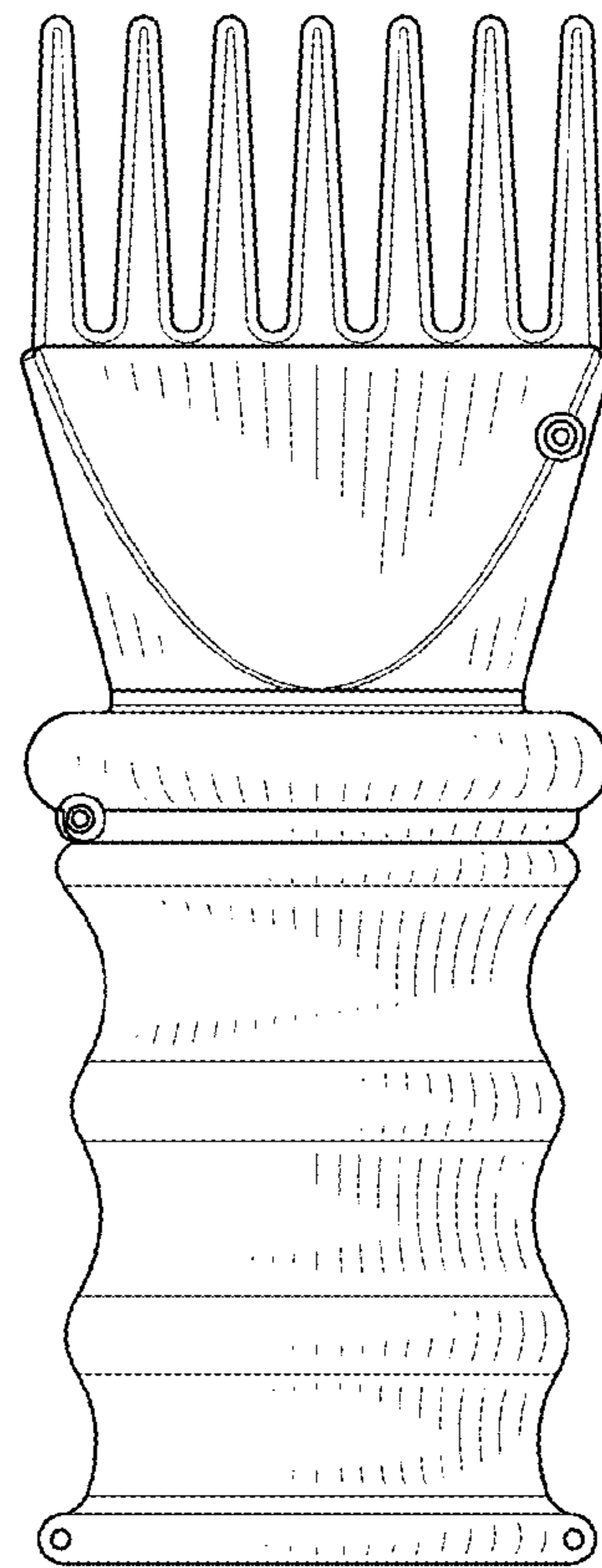


FIG. 8