



US00D749781S

(12) **United States Design Patent**
Lane

(10) **Patent No.:** **US D749,781 S**
(45) **Date of Patent:** **** Feb. 16, 2016**

(54) **ELECTRONIC CIGARETTE HOLDER
NECKLACE**

6,524,288 B1 * 2/2003 Hadley-Fruit 604/322
D473,373 S * 4/2003 Sledge D3/226
D479,647 S * 9/2003 Paura et al. D3/215

(71) Applicant: **Kevin Lane**, Spring Valley, CA (US)

(Continued)

(72) Inventor: **Kevin Lane**, Spring Valley, CA (US)

OTHER PUBLICATIONS

(**) Term: **14 Years**

Electronic Cigarette Necklace Holder I Innokin Carrying Pouch I Innokin, posted at vapercompany.com, posting date not given, © 2015 vapercompany.com, [online], [site visited Oct. 8, 2015]. Available from Internet, <http://www.vapercompany.com/Innokin-Carrying-Pouch-p/p3svd.htm>.*

(21) Appl. No.: **29/486,817**

(Continued)

(22) Filed: **Apr. 2, 2014**

(51) **LOC (10) Cl.** **27-06**

(52) **U.S. Cl.**
USPC **D27/183**

(58) **Field of Classification Search**
USPC D27/103–104, 107–112, 129, 144, 172,
D27/174–175, 180, 183–186, 194; D9/423,
D9/504; D3/294, 215, 226, 228, 229;
131/347, 329–330, 270–273; 206/268;
D11/3, 11

CPC A24F 23/04; A24F 23/00; A24F 15/20;
A24F 15/005; A24F 15/18; A24F 15/14;
A24F 15/12; A24F 15/00; A24F 9/16; A24F
13/14

See application file for complete search history.

Primary Examiner — Manpreet Matharu

Assistant Examiner — Jennifer Wright

(74) *Attorney, Agent, or Firm* — Gary L. Eastman, Esq.

(57) **CLAIM**

The ornamental design for an electronic cigarette holder necklace, as shown and described.

DESCRIPTION

FIG. 1 is a top perspective view of the electronic cigarette necklace showing my new design;

FIG. 2 is a front view of the electronic cigarette holder necklace;

FIG. 3 is a back view of the electronic cigarette holder necklace;

FIG. 4 is a left side view of the electronic cigarette holder necklace;

FIG. 5 is a right side view of the electronic cigarette holder necklace;

FIG. 6 is a top view of the electronic cigarette holder necklace;

FIG. 7 is a bottom view of the electronic cigarette holder necklace; and,

FIG. 8 is a top perspective view of the electronic cigarette holder necklace, shown in an alternate position with an unclaimed environmental electronic cigarette shown in dashed lines.

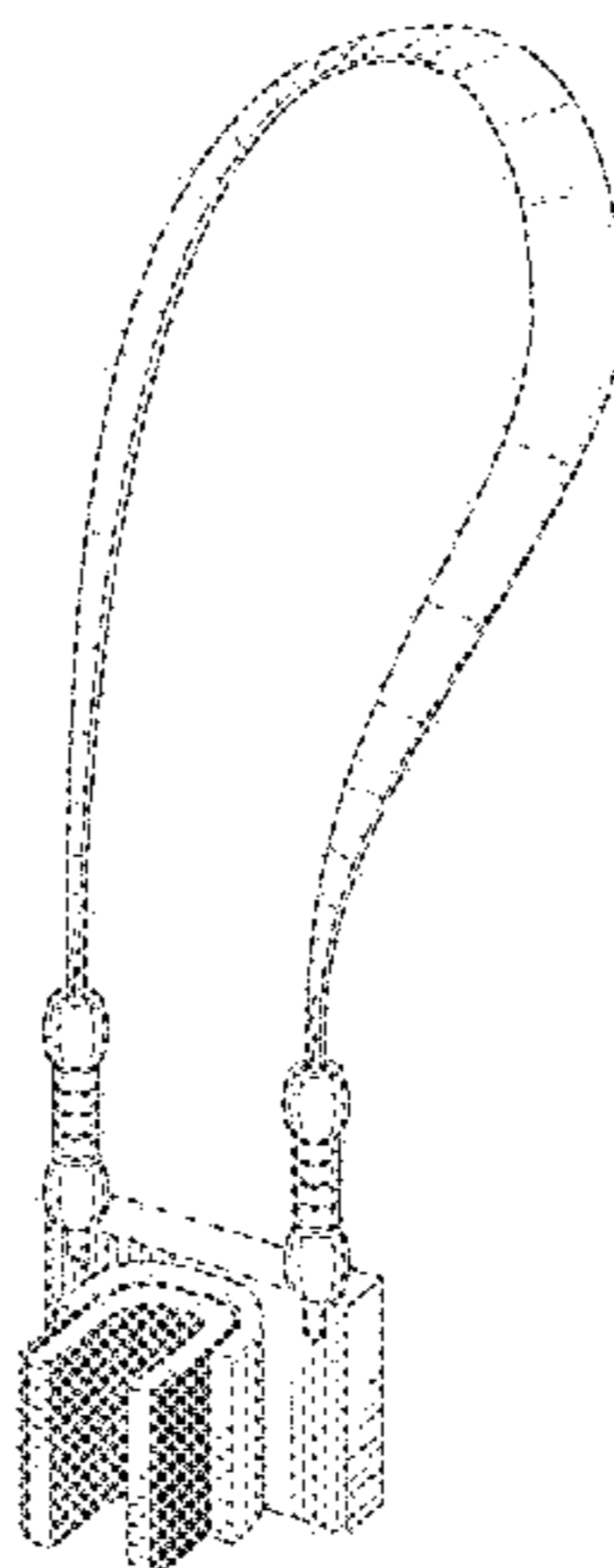
The broken dashed lines in FIG. 8 show an environmental electronic cigarette and form no part of the claimed design.

(56) **References Cited**

U.S. PATENT DOCUMENTS

D247,921 S * 5/1978 Goldberg D3/226
D252,355 S * 7/1979 Uber D3/226
D259,063 S * 4/1981 Manikas D3/229
D262,497 S * 1/1982 Chan D3/229
D304,143 S * 10/1989 Dennis D3/229
D304,890 S * 12/1989 Canaan D3/229
D347,734 S * 6/1994 Patterson et al. D3/229
D393,923 S * 4/1998 Dimonekas D27/183
D396,776 S * 8/1998 Hughes D7/507
D432,785 S * 10/2000 Berg et al. D3/229
D443,387 S * 6/2001 Torres et al. D27/161
6,443,338 B1 * 9/2002 Giacona, III 224/148.6
D468,858 S * 1/2003 Fischer D27/136

1 Claim, 6 Drawing Sheets



(56)

References Cited

U.S. PATENT DOCUMENTS

D486,750 S * 2/2004 Giudicelli D11/3
 D516,803 S * 3/2006 Simon, Jr. D3/215
 D527,299 S * 8/2006 Burich D11/3
 D549,390 S * 8/2007 Tadych et al. D27/183
 D569,547 S * 5/2008 Jones D27/161
 D581,658 S * 12/2008 Leslie D3/229
 D603,563 S * 11/2009 Cho D28/76
 D606,858 S * 12/2009 Kesselman D27/172
 D609,454 S * 2/2010 Porter-Young D3/202
 D617,495 S * 6/2010 LoRe D27/172
 D618,391 S * 6/2010 Moore et al. D27/172
 D620,258 S * 7/2010 Fahrendorff D3/299
 D621,618 S * 8/2010 Fahrendorff et al. D3/303
 D625,513 S * 10/2010 Carnes et al. D3/229
 D648,891 S * 11/2011 Heger D27/161
 D661,015 S * 5/2012 Logue et al. D27/172
 D675,011 S * 1/2013 Stiefel D3/215
 D677,428 S * 3/2013 Chekrallah et al. D27/194
 D680,683 S * 4/2013 Hancock et al. D27/161
 D692,614 S * 10/2013 Robinson D27/183
 D700,400 S * 2/2014 Saman D28/73
 D711,277 S * 8/2014 Slimane D11/8

D729,442 S * 5/2015 Albers D27/161
 D730,513 S * 5/2015 Raouf D24/110.5
 D730,573 S * 5/2015 Shields, Sr. D27/183
 D735,935 S * 8/2015 Burrell D27/183

OTHER PUBLICATIONS

Electronic Cigarette Necklace Holder I Leather Strap Case for TaEco I TaEco, posted at alibaba.com, posting date not given, © 1999-2015 alibaba.com, [online] [site visited Oct. 8, 2015]. Available from Internet, http://www.alibaba.com/product-detail/Leather-strap-case-for-TaEco_114245638/showimage.html.*

Electronic Cigarette Necklace Holder I Halo Tank Leatherette Pouch Lanyard I ECigaretteDirect, posted at ecigarettedirect.co.uk, posting date not given, © N/A ecigarettedirect.co.uk, [online] [site visited, Oct. 20, 2015]. Available from Internet, <http://www.ecigarettedirect.co.uk/e-cig-leatherette-pouch-lanyard>.*

Electronic Cigarette Necklace Holder I E Cigarette Portable Bag I Jasons Vape, posted at aliexpress.com, posting date not given, © 2010-2015 aliexpress.com, [online] [site visited [Oct. 16, 2015] Available from Internet, <http://www.aliexpress.com/item/ECigarettesPortablebagCheapestX6X7PULeatheregomediumbagsECigCarringpouch/32362973323.html>.*

* cited by examiner

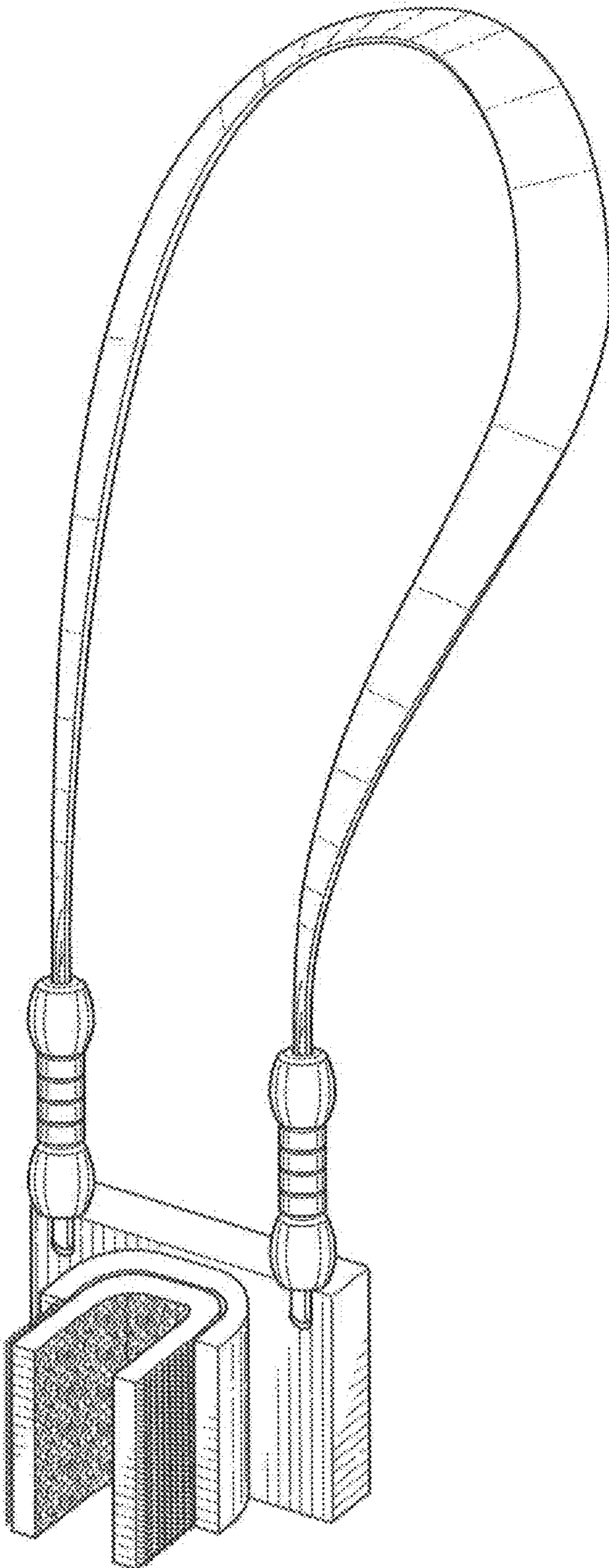


FIG. 1

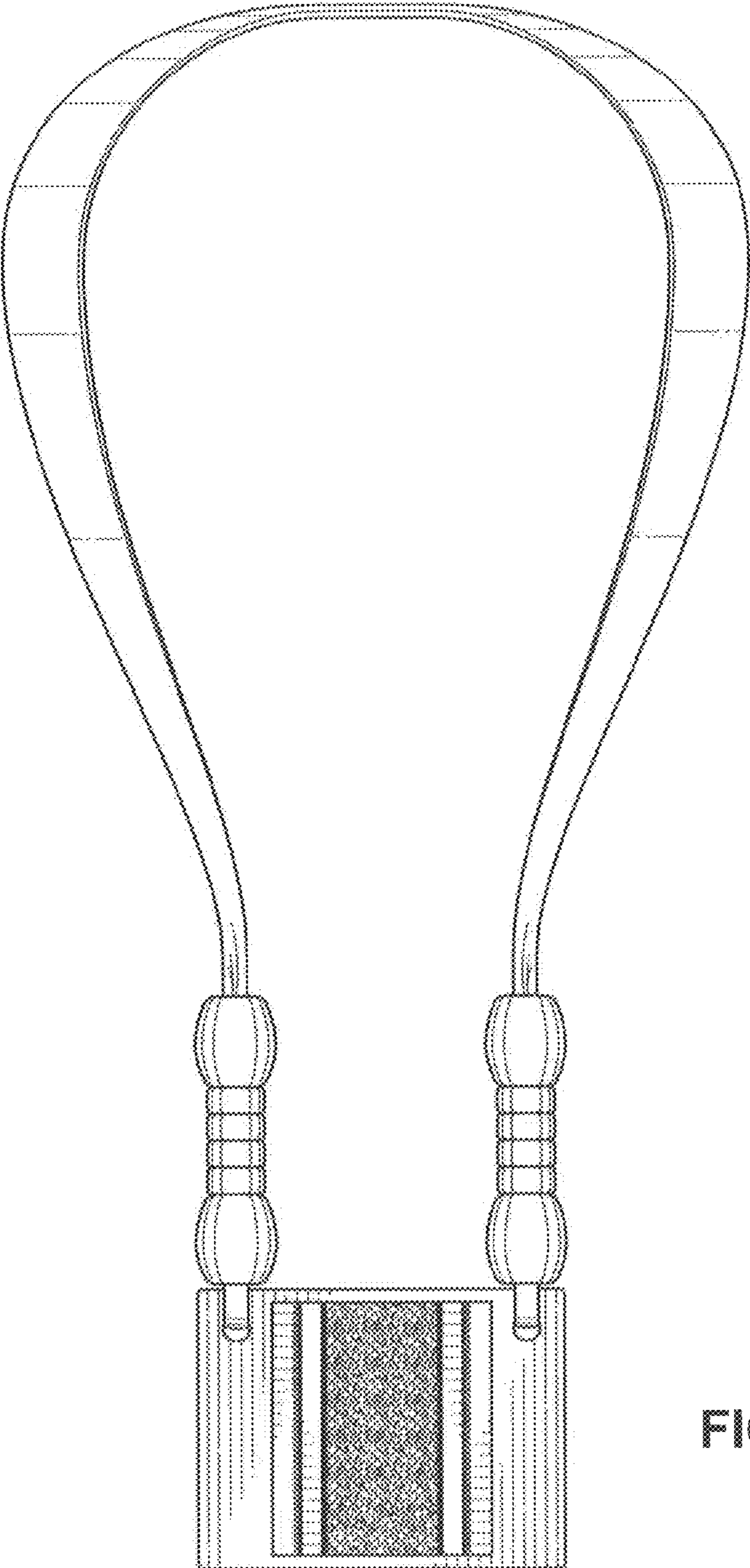


FIG. 2

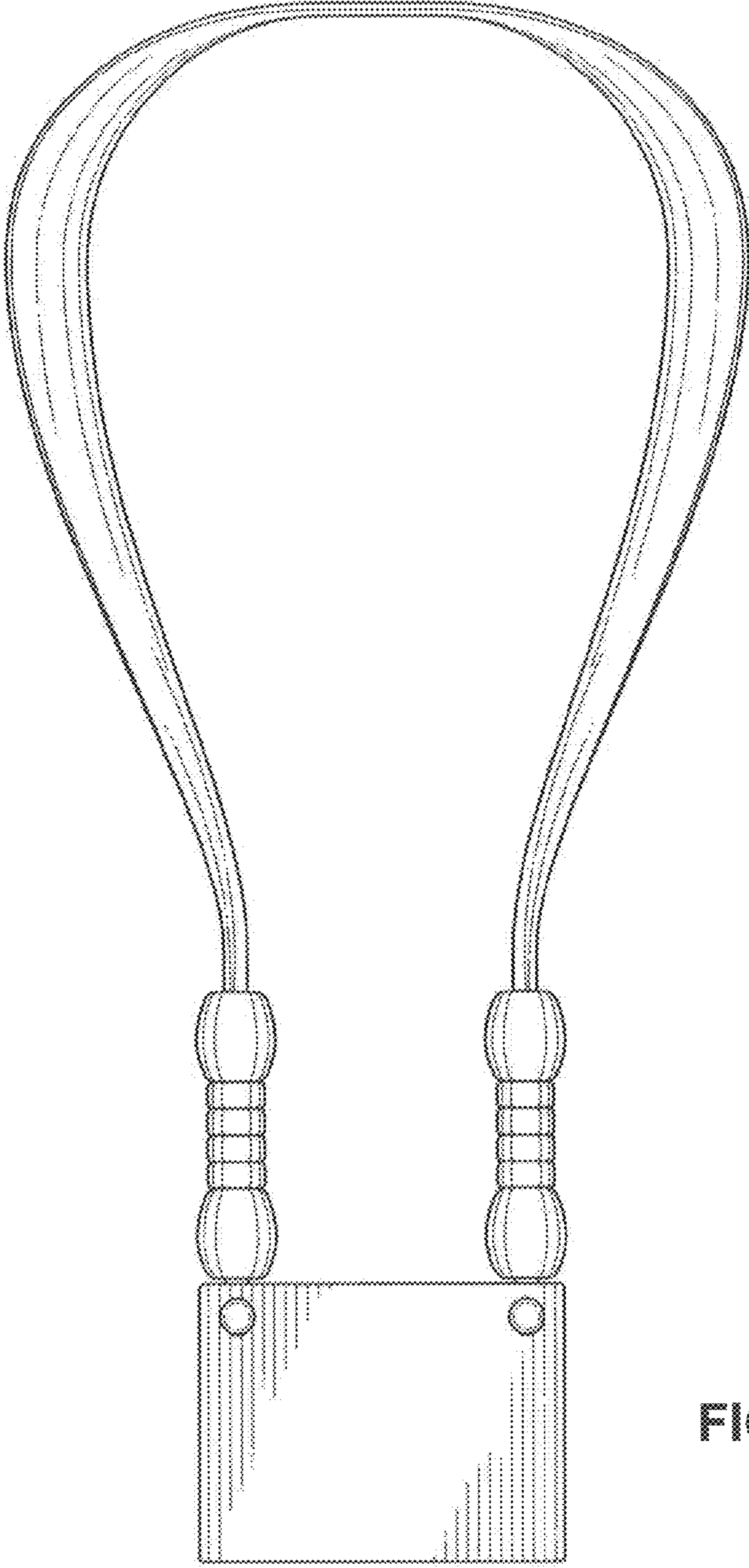
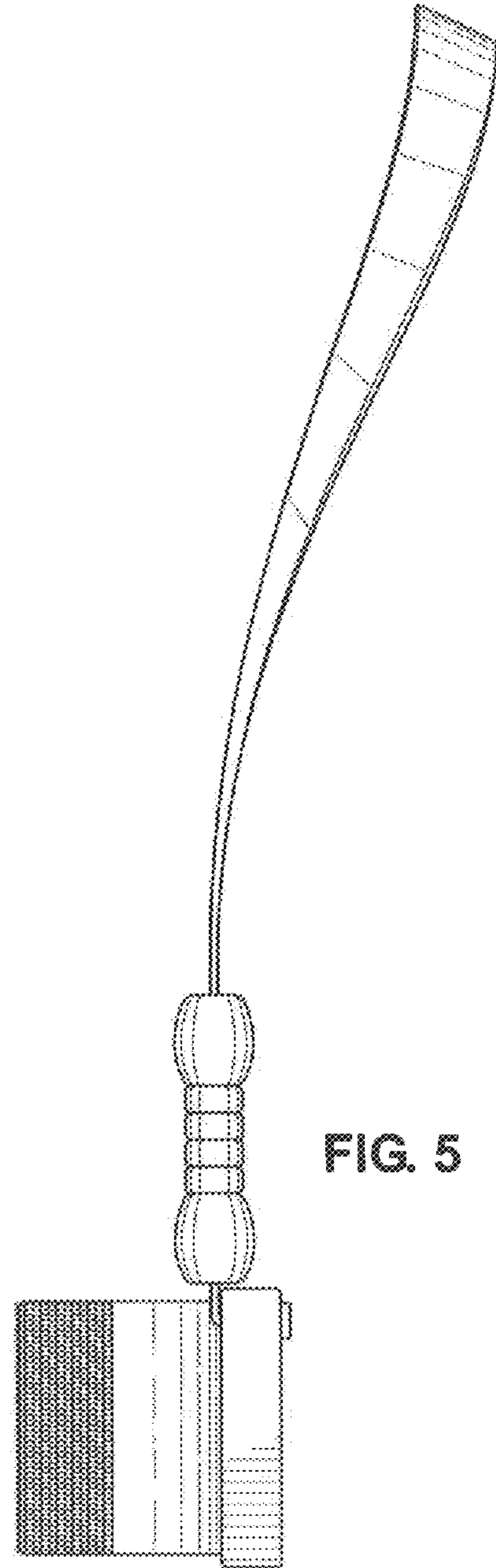
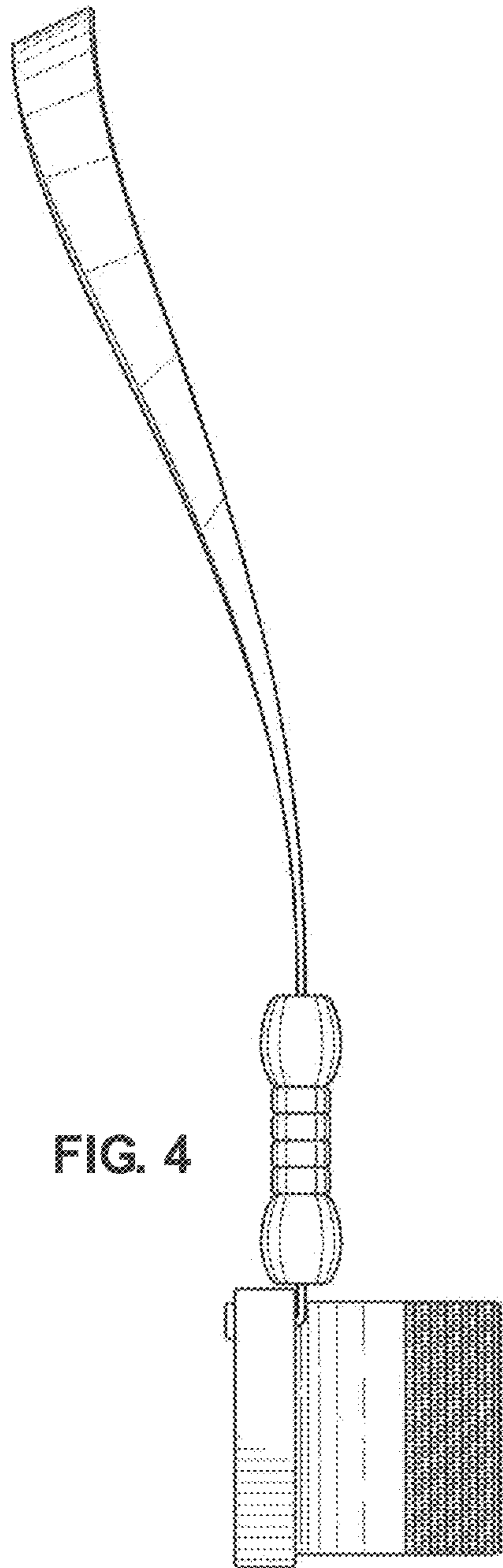


FIG. 3



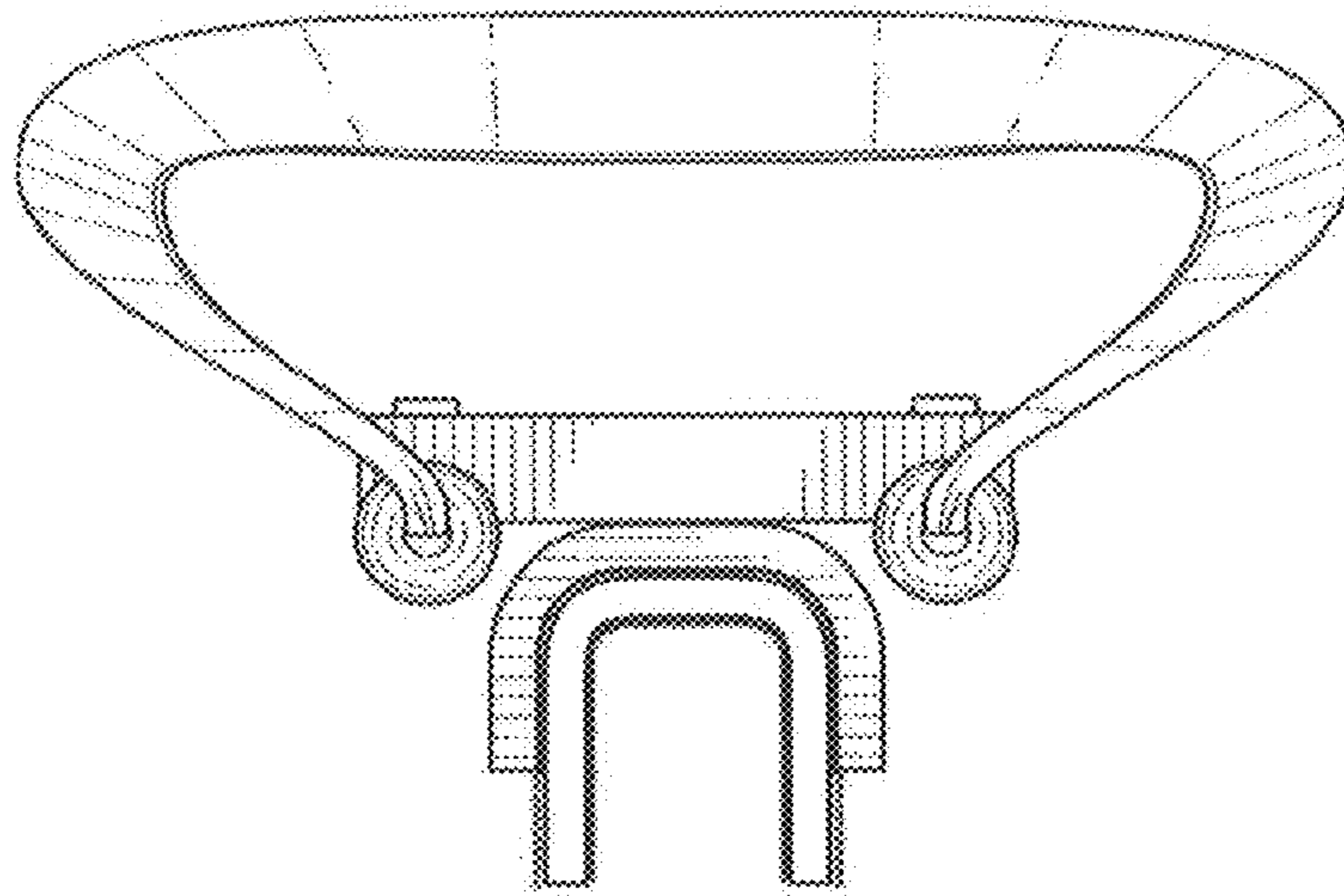


FIG. 6

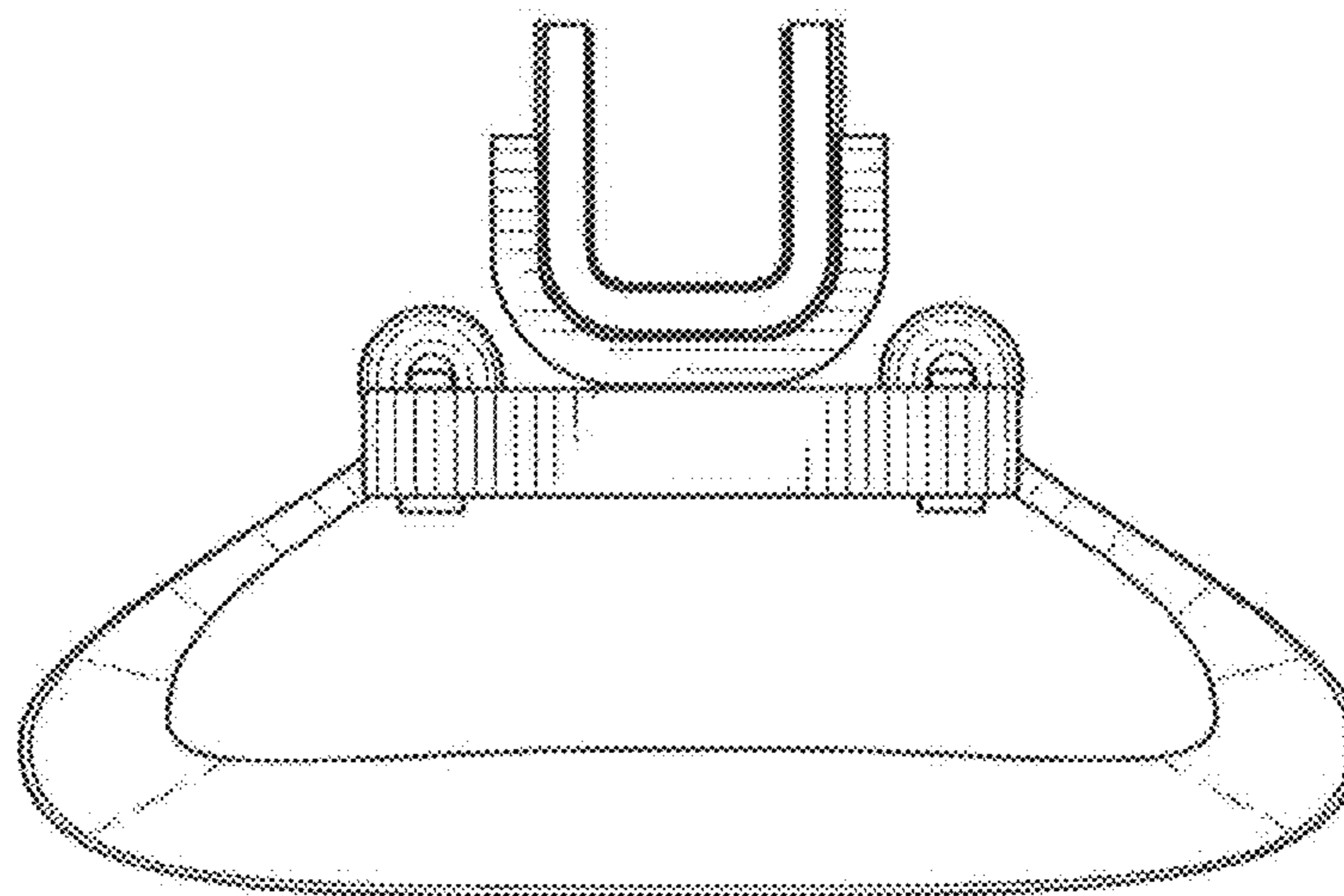


FIG. 7

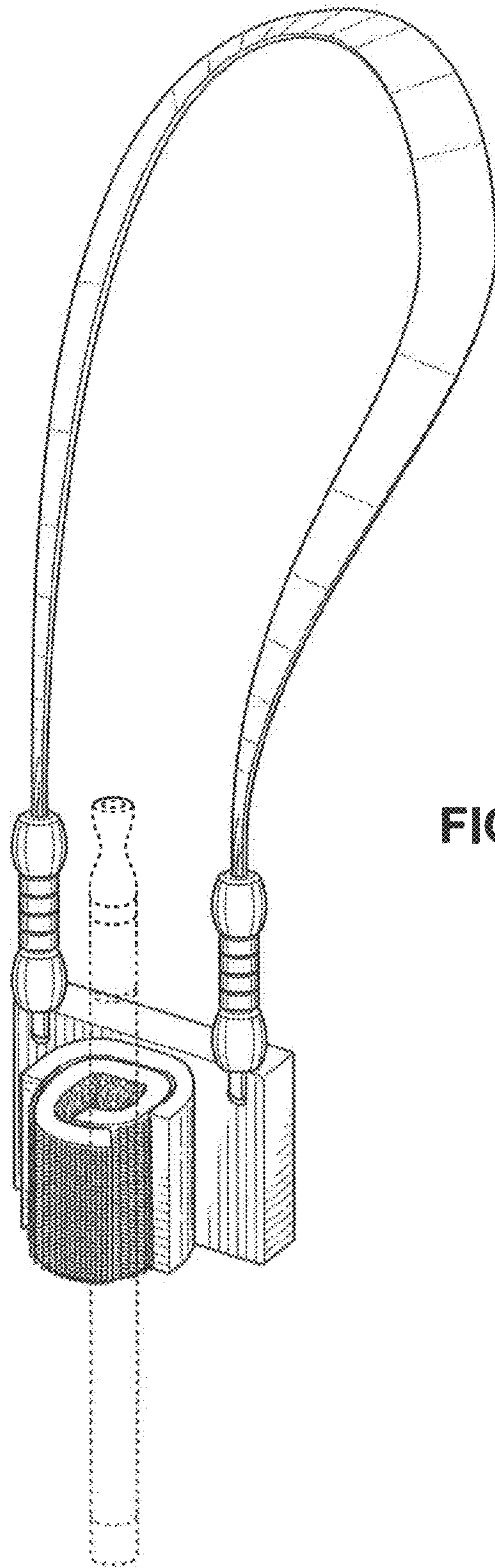


FIG. 8