



US00D749780S

(12) **United States Design Patent**
Bramley et al.

(10) **Patent No.:** **US D749,780 S**

(45) **Date of Patent:** **** Feb. 16, 2016**

- (54) **MOUTHPIECE OF A SMOKING ARTICLE**
- (71) Applicant: **ALTRIA CLIENT SERVICES INC.**,
Richmond, VA (US)
- (72) Inventors: **Alistair Bramley**, Brooklyn, NY (US);
George Stafford, Brooklyn, NY (US);
Eric Hawes, Midlothian, VA (US); **Traci**
Martin, Mechanicsville, VA (US);
Berina Yerkic-Husejnovic, Richmond,
VA (US)
- (73) Assignee: **Altria Client Services LLC**, Richmond,
VA (US)
- (**) Term: **14 Years**
- (21) Appl. No.: **29/471,338**
- (22) Filed: **Oct. 30, 2013**
- (51) **LOC (10) Cl.** **27-02**
- (52) **U.S. Cl.**
USPC **D27/169**; D27/170
- (58) **Field of Classification Search**
USPC D27/101, 162, 163, 167, 169, 170, 171,
D27/172, 183, 193, 194; 131/71, 76, 100,
131/101, 167, 169, 172, 175, 187, 190, 191,
131/202, 227, 229, 333, 347, 361; D24/110
CPC A24F 7/00; A24F 7/02; A24F 7/04;
A24F 13/10; A24F 47/002; A24F 47/008;
A24D 3/04; A24D 3/046; A24D 1/04; A24D
3/00; A61M 15/06
See application file for complete search history.

- D229,725 S * 12/1973 Berger 131/361
- D229,788 S * 1/1974 Berger 131/361
- D229,789 S * 1/1974 Berger 131/361
- D229,790 S * 1/1974 Berger 131/361
- D375,159 S * 10/1996 Johansson D23/266
- D638,194 S * 5/2011 Lichstein D34/39
- D646,431 S * 10/2011 Awty D27/101
- D651,338 S * 12/2011 Awty D27/101
- D685,522 S * 7/2013 Potter D27/101
- 8,499,766 B1 * 8/2013 Newton A24F 47/008
131/273
- 8,539,959 B1 * 9/2013 Scatterday A61M 15/06
131/194
- D691,765 S * 10/2013 Tucker D27/101
- D695,449 S * 12/2013 Tucker D27/101
- D722,196 S * 2/2015 Tucker D27/101
- D724,262 S * 3/2015 Hearn D27/101
- D724,781 S * 3/2015 Hearn D27/101
- D726,364 S * 4/2015 Weigensberg D27/101
- D726,365 S * 4/2015 Weigensberg D27/101
- D728,852 S * 5/2015 Hearn D27/101
- D729,439 S * 5/2015 Scatterday D27/101
- D738,036 S * 9/2015 Tucker D27/101
- D738,566 S * 9/2015 Tucker D27/101
- D738,567 S * 9/2015 Tucker D27/101
- 2014/0238421 A1 * 8/2014 Shapiro A24F 47/008
131/328

* cited by examiner

Primary Examiner — Susan Bennett Hattan

Assistant Examiner — Janice Hallmark

(74) *Attorney, Agent, or Firm* — Harness, Dickey & Pierce,
P.L.C.

(57) **CLAIM**

The ornamental design for a mouthpiece of a smoking article,
as shown and described.

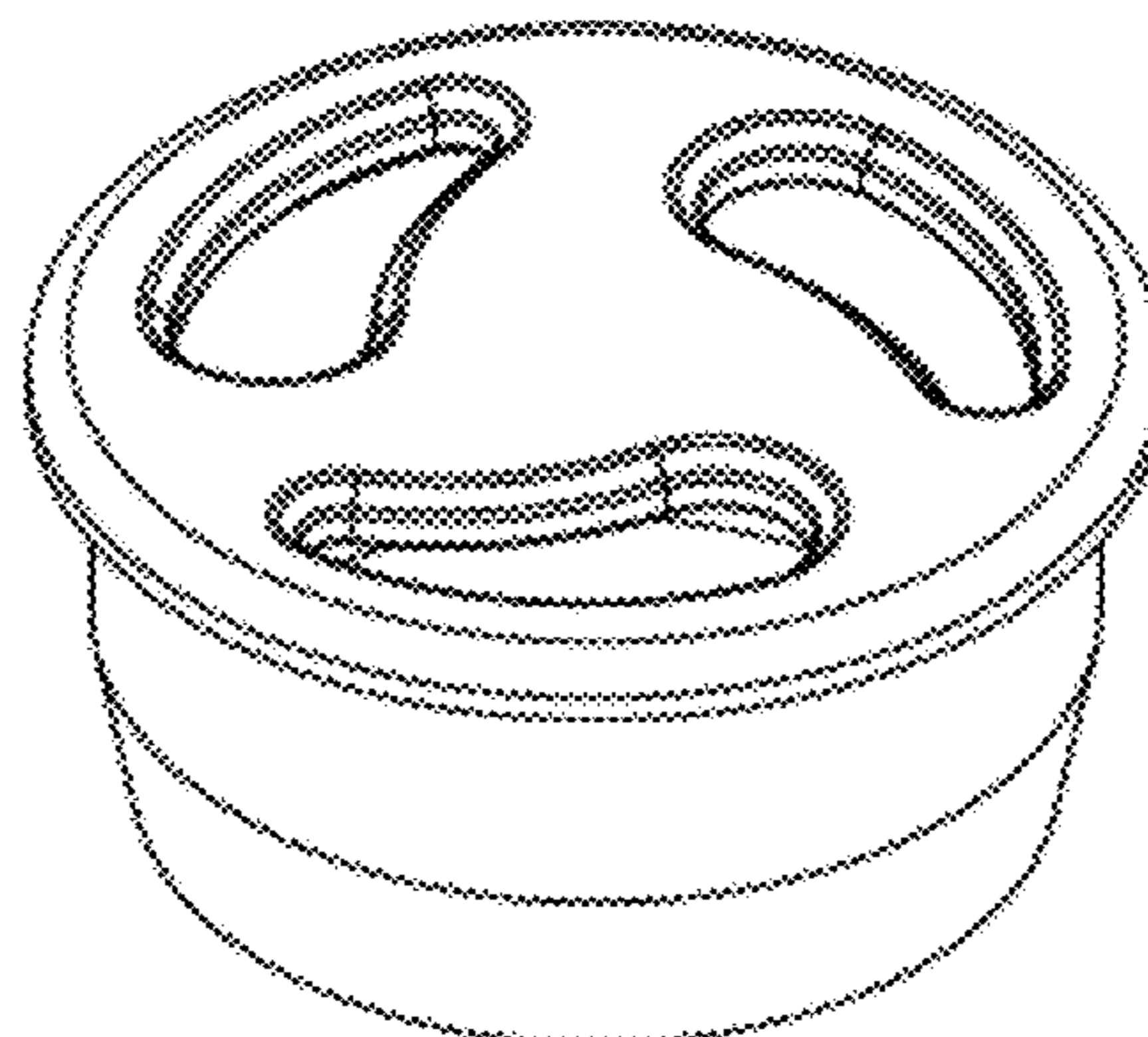
DESCRIPTION

FIG. 1 is a perspective view of a mouthpiece of a smoking
article showing our new design.
FIG. 2 is top plan view thereof; and,
FIG. 3 is a cross-sectional view thereof taken along the line
III-III shown in FIG. 2.

1 Claim, 2 Drawing Sheets

(56) **References Cited**
U.S. PATENT DOCUMENTS

- D125,122 S * 2/1941 Urben 131/187
- 3,396,733 A * 8/1968 Allseits A24D 3/0237
131/336
- 3,587,573 A * 6/1971 Flack A61M 15/06
128/203.21
- D223,879 S * 6/1972 Chernack D27/194
- 3,720,235 A * 3/1973 Schrock F16L 11/121
128/204.18



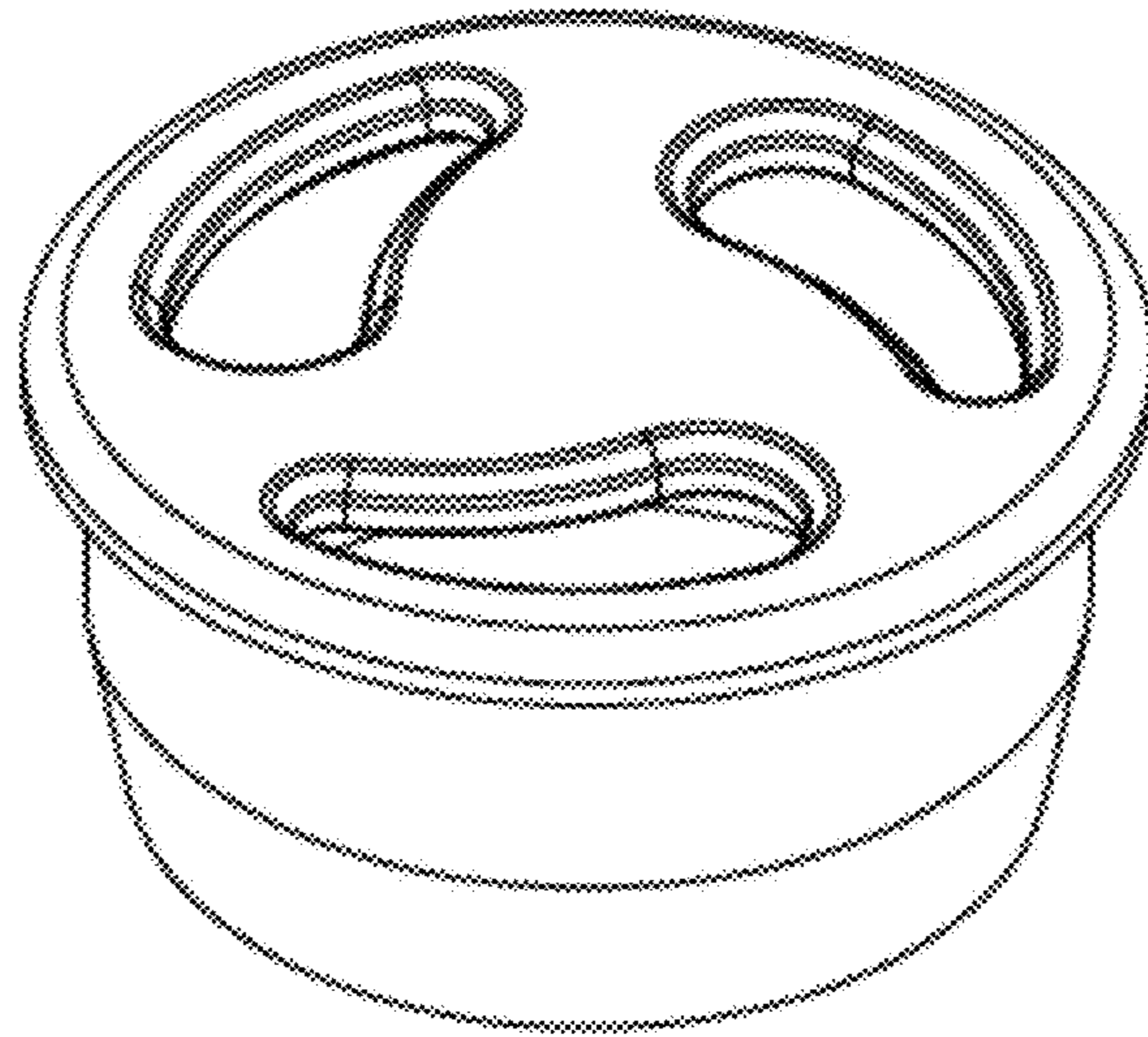


FIG. 1

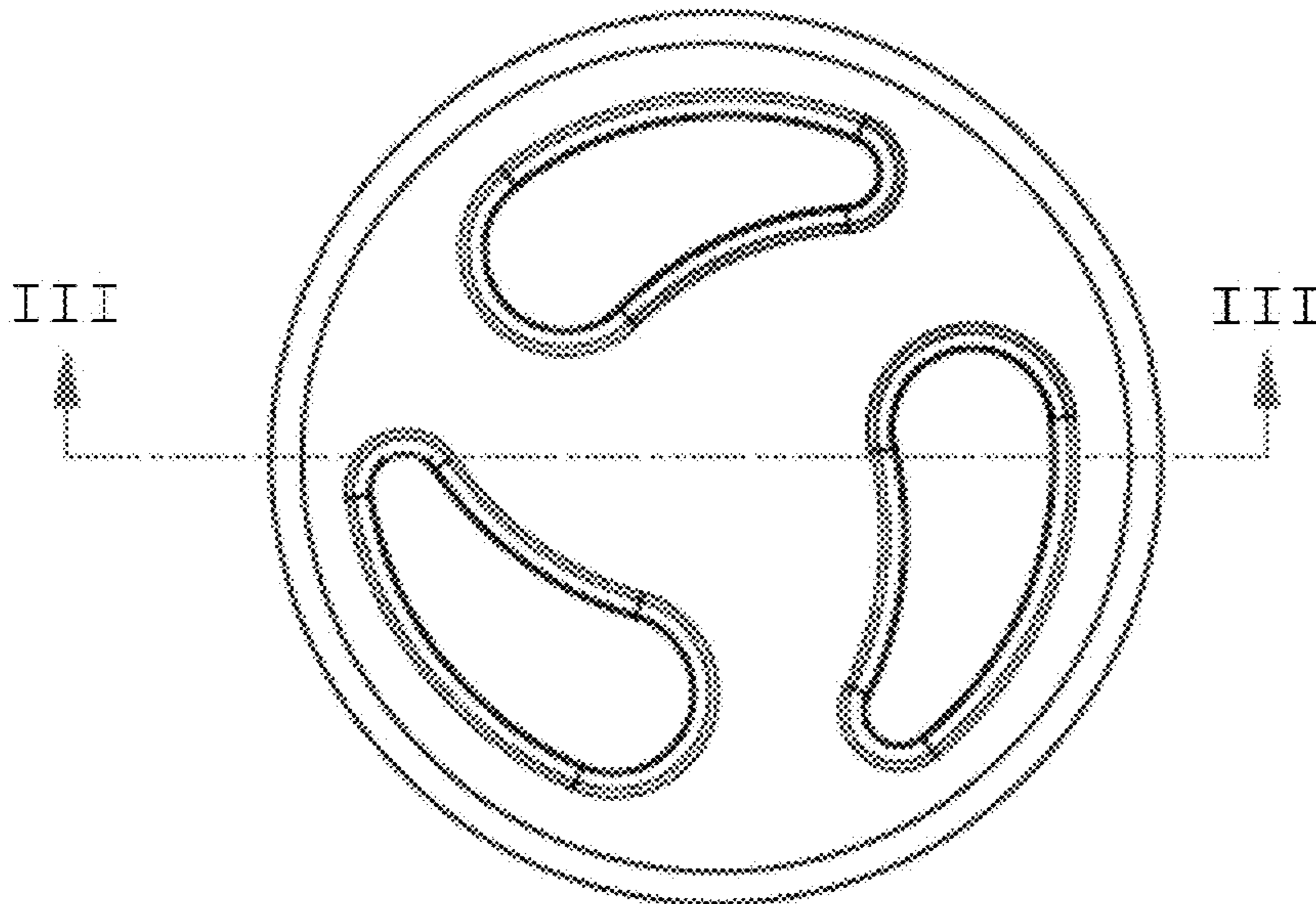


FIG. 2

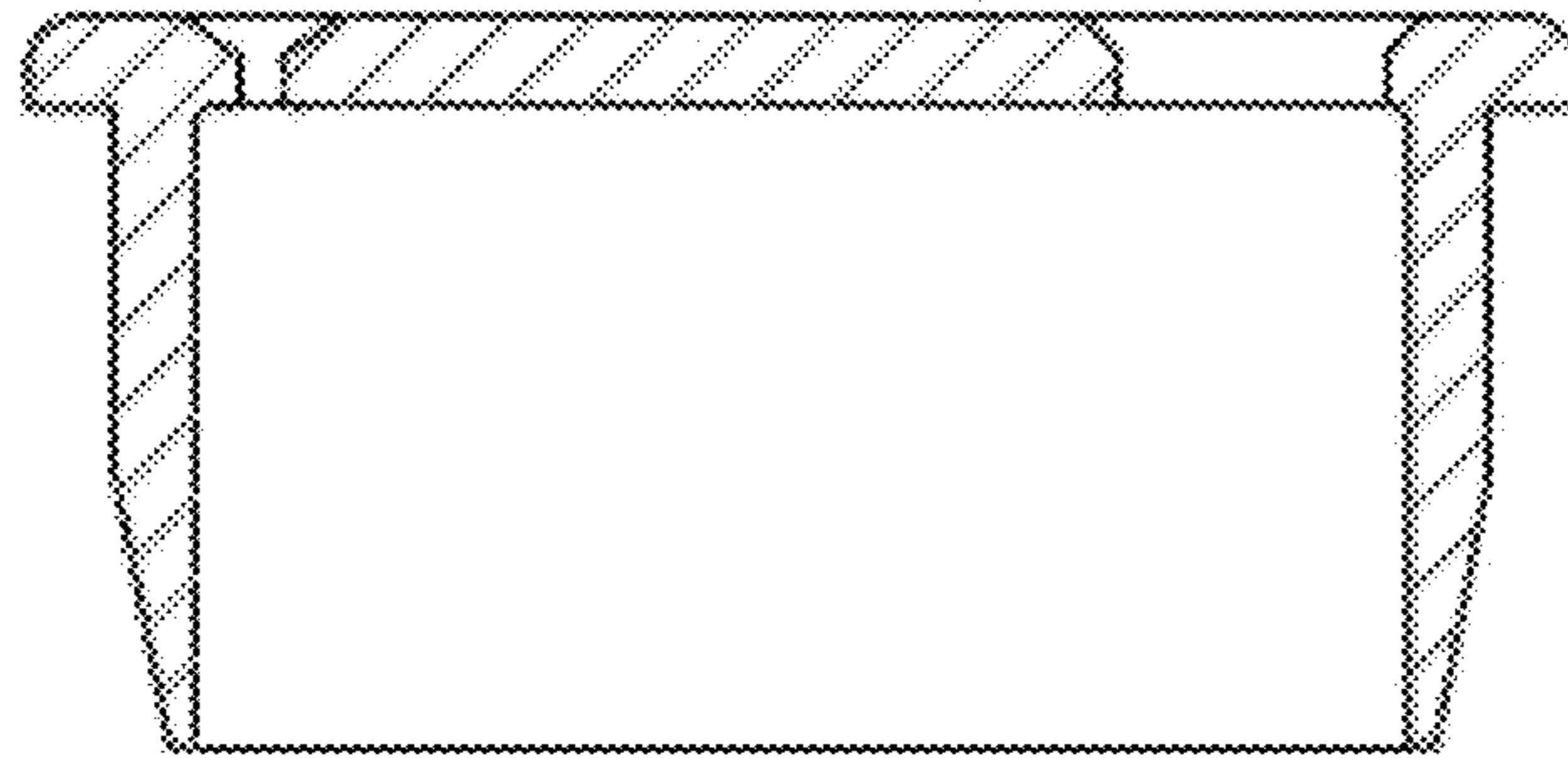


FIG. 3