



US00D749779S

(12) **United States Design Patent**
Ahmad

(10) **Patent No.:** **US D749,779 S**
(45) **Date of Patent:** **** Feb. 16, 2016**

- (54) **ELECTRONIC HOOKAH HEAD**
- (71) Applicant: **Thaer Ahmad**, Pomona, CA (US)
- (72) Inventor: **Thaer Ahmad**, Pomona, CA (US)
- (**) Term: **14 Years**
- (21) Appl. No.: **29/495,820**
- (22) Filed: **Jul. 3, 2014**
- (51) **LOC (10) Cl.** **27-02**
- (52) **U.S. Cl.**
USPC **D27/162**
- (58) **Field of Classification Search**
USPC D27/162-169; 131/173, 178, 214, 222,
131/226, 329, 330; 215/370; D9/500, 516,
D9/519, 557, 558
CPC A24F 1/00; A24F 1/30; A24F 1/32;
A24F 3/00; A24F 5/00; A24F 7/00; A24F
9/00; A24F 9/14
See application file for complete search history.

- 8,464,725 B2 * 6/2013 Badawi A24D 1/14
131/173
- D731,113 S * 6/2015 Wu D27/101
- 2007/0215164 A1 * 9/2007 Mehio A24F 1/30
131/173
- 2015/0075544 A1 * 3/2015 Portz A24D 1/14
131/328
- 2015/0107607 A1 * 4/2015 Mehio A24F 5/00
131/226

* cited by examiner

Primary Examiner — Elizabeth Albert

(74) *Attorney, Agent, or Firm* — Cotman IP Law Group, PLC

(57) **CLAIM**

The ornamental design for an electronic hookah head, as shown and described.

DESCRIPTION

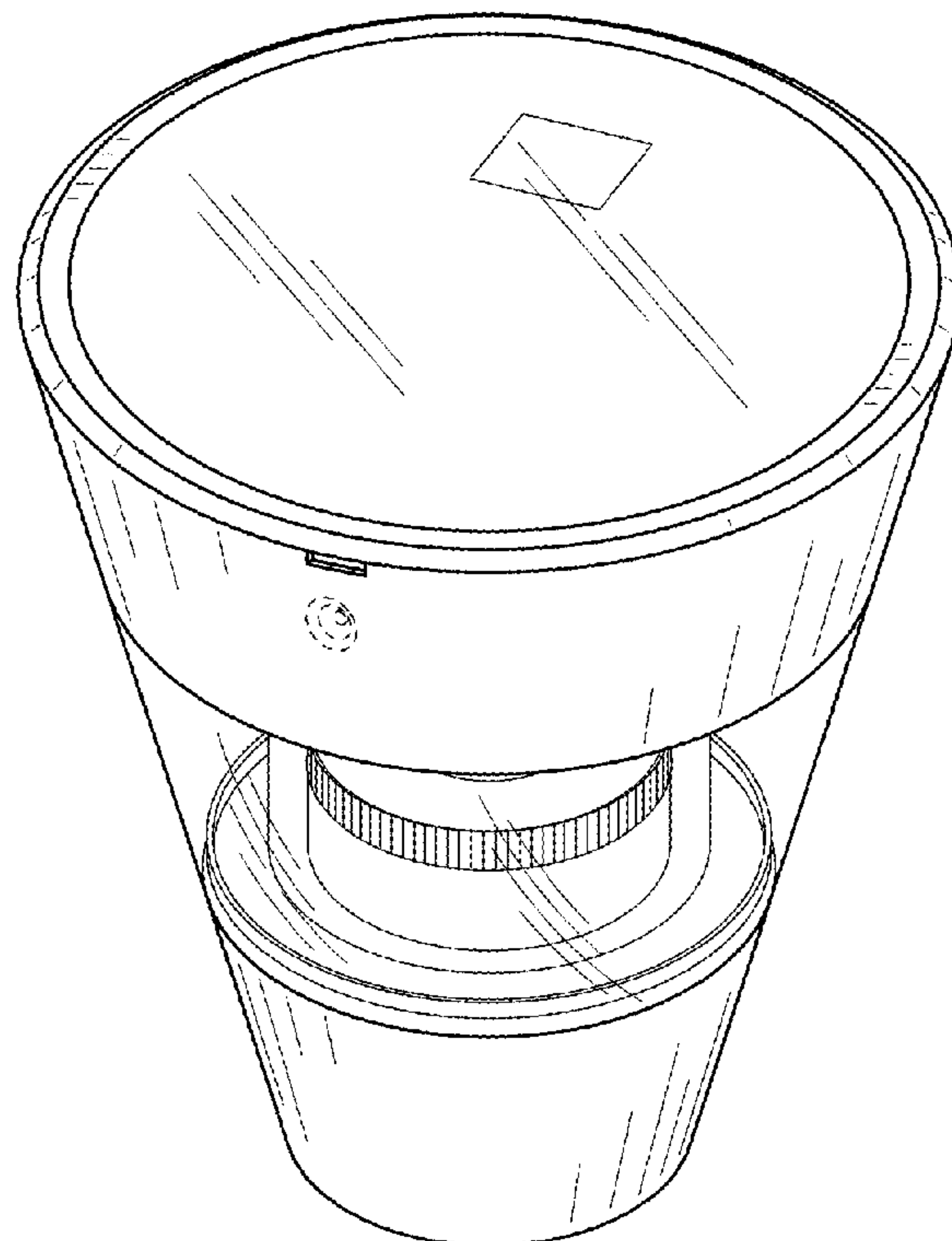
FIG. 1 is a perspective view of an electronic hookah head showing a new design;
 FIG. 2 is a left side elevation view of FIG. 1;
 FIG. 3 is a right side elevation view of FIG. 1;
 FIG. 4 is a top plan view of FIG. 1; and,
 FIG. 5 is a bottom plan view of FIG. 1.
 The broken lines are included for the purpose of showing portions of the electronic hookah head that form no part of the claimed design.

1 Claim, 3 Drawing Sheets

(56) **References Cited**

U.S. PATENT DOCUMENTS

- 1,093,873 A * 4/1914 Mitchell B65D 21/086
220/8
- D220,204 S * 3/1971 Gahm D7/512
- D273,715 S * 5/1984 Sher D27/162
- D317,405 S * 6/1991 Yasika D3/203.2
- D558,919 S * 1/2008 Kassir D27/162



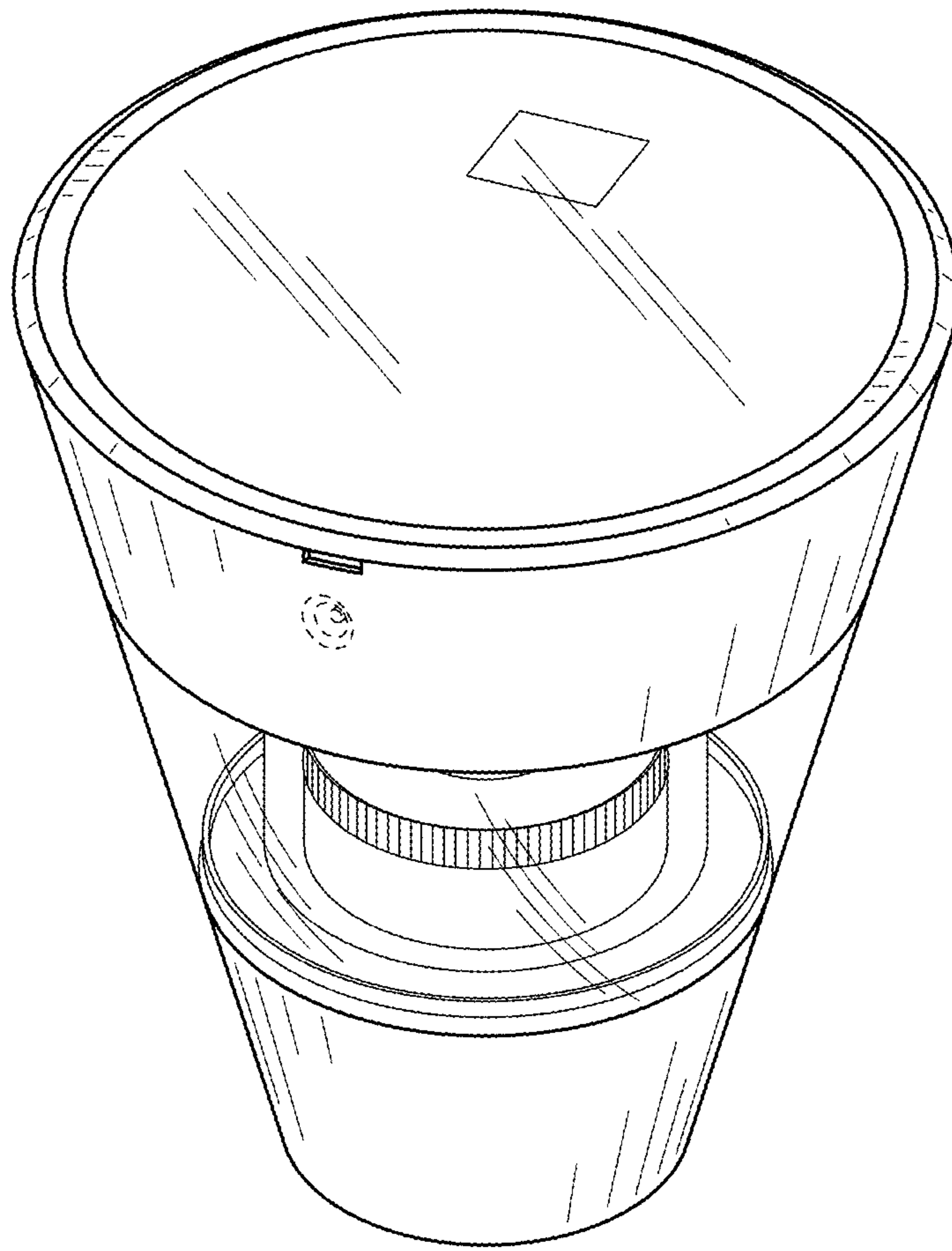


FIG. 1

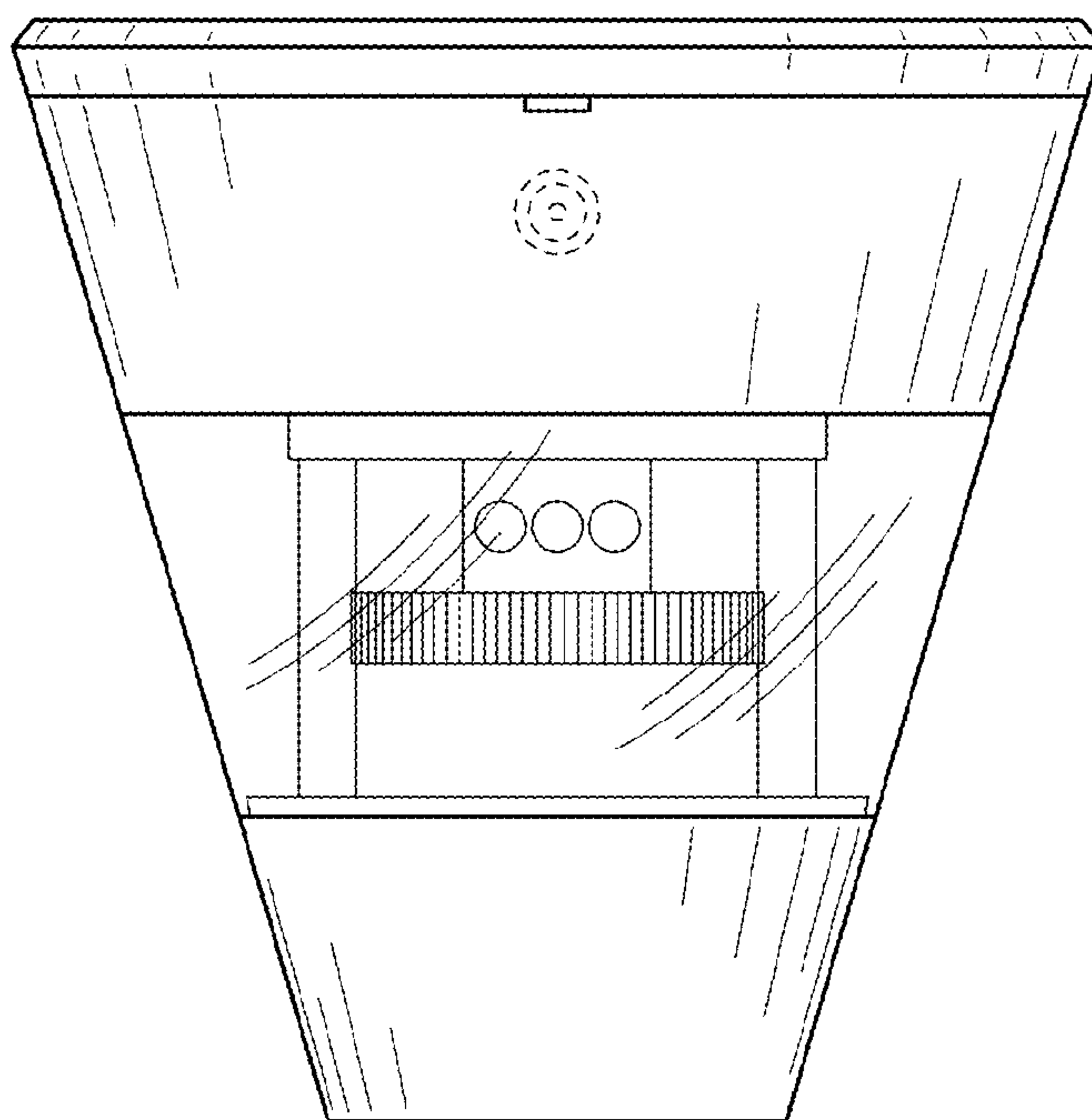


FIG. 2

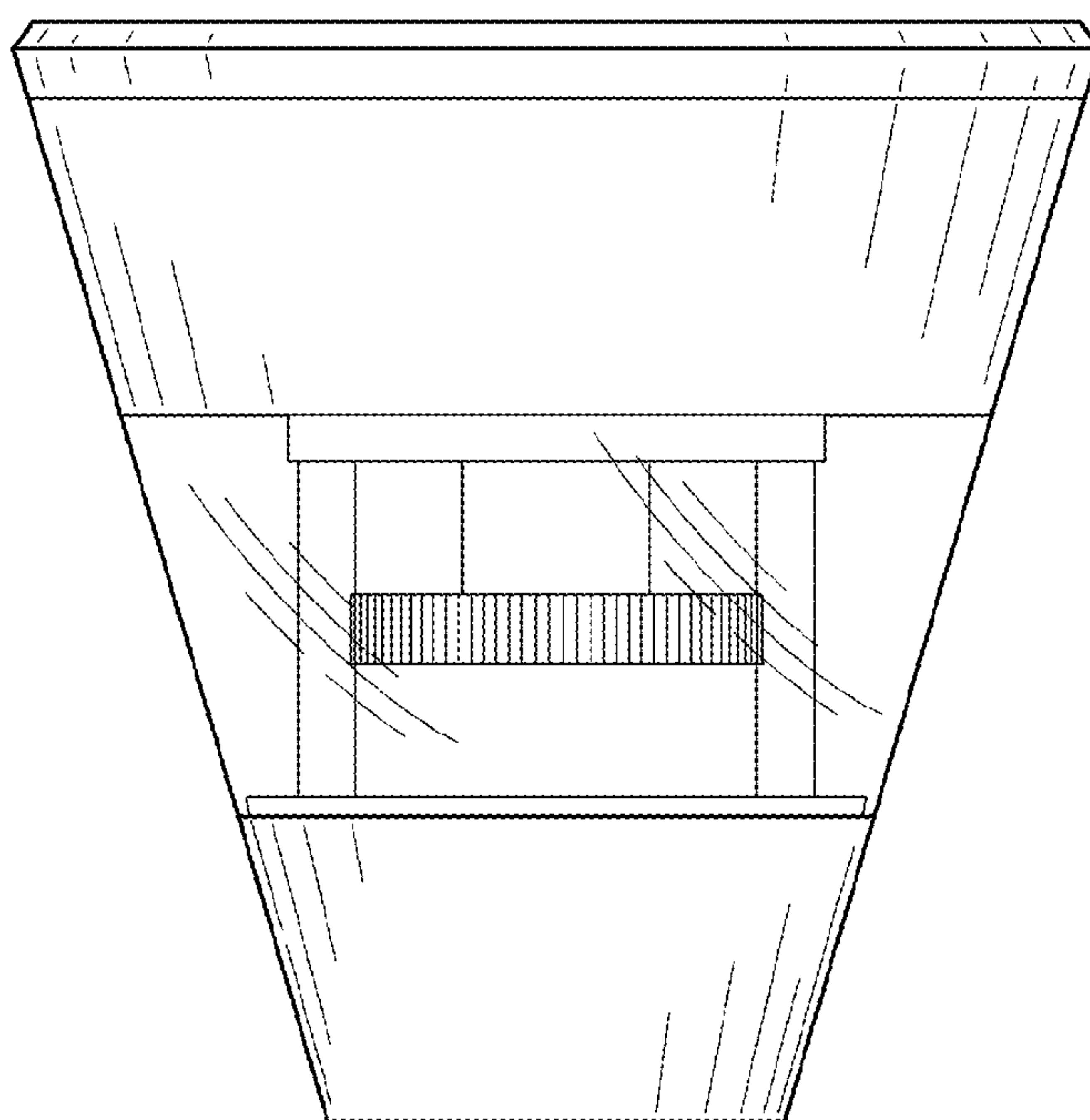


FIG. 3

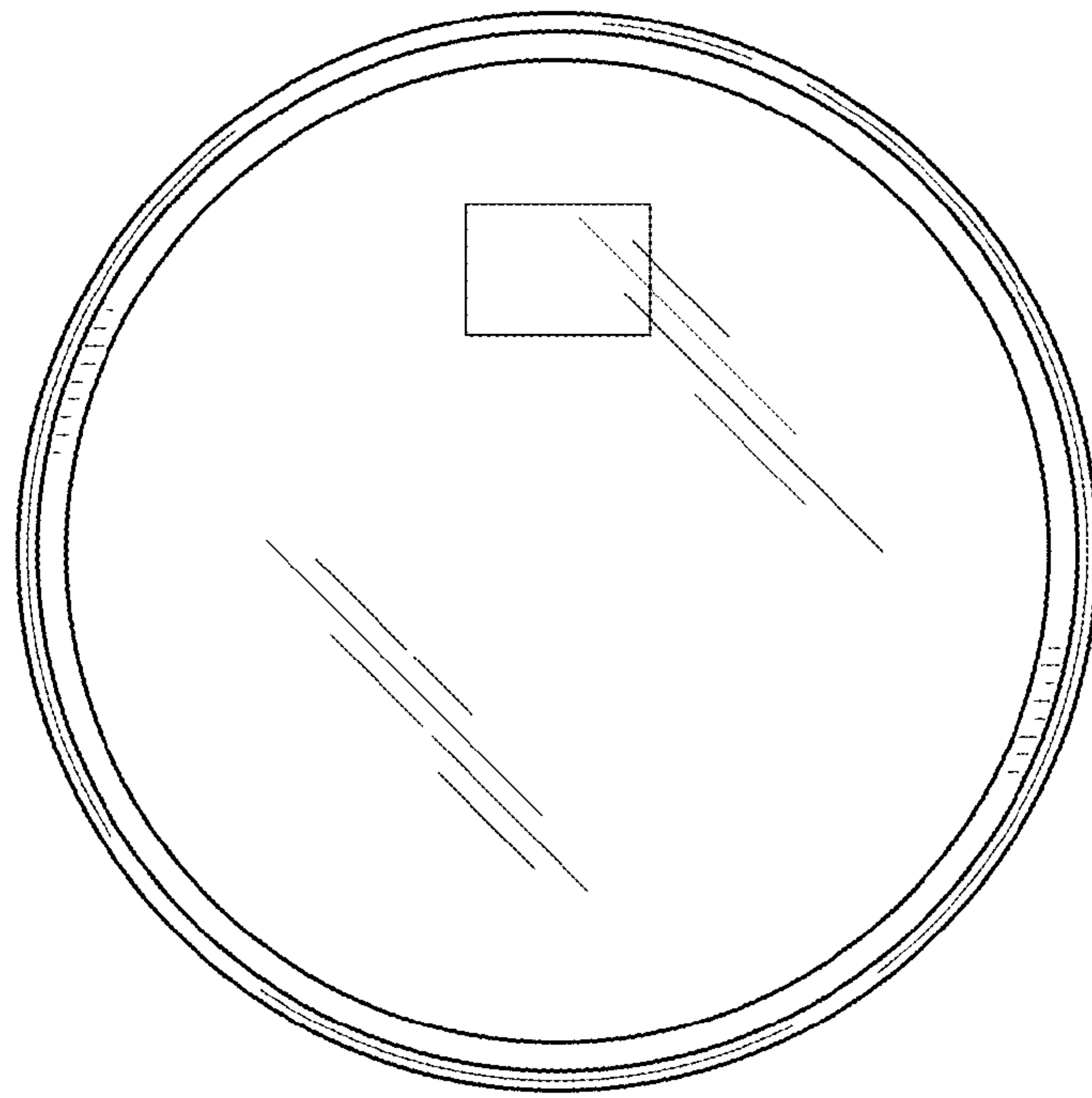


FIG. 4

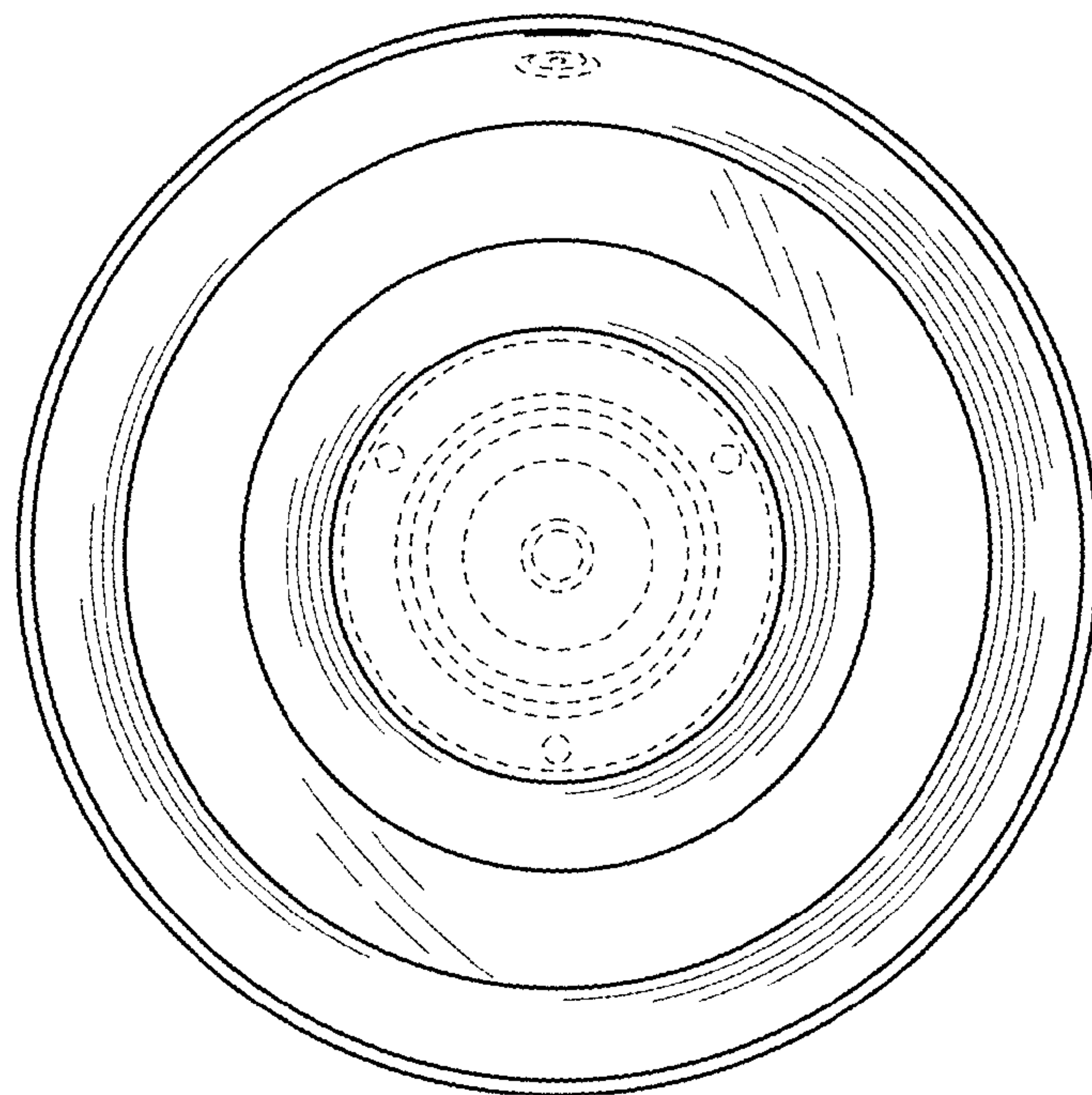


FIG. 5