



US00D749775S

(12) **United States Design Patent**
Provitola

(10) **Patent No.:** **US D749,775 S**
(45) **Date of Patent:** **** Feb. 16, 2016**

- (54) **REFLECTOR FOR HIDDEN LIGHT STRIP**
- (71) Applicant: **Anthony I. Provitola**, DeLand (FI)
- (72) Inventor: **Anthony I. Provitola**, DeLand (FI)
- (**) Term: **15 Years**
- (21) Appl. No.: **29/542,514**
- (22) Filed: **Oct. 14, 2015**

- D201,263 S * 6/1965 Chambers D15/4
- D201,986 S * 8/1965 Wince D26/122
- D204,889 S * 5/1966 Gingher D25/121
- D206,538 S * 12/1966 Hollaeander D6/310
- D207,596 S * 5/1967 Wince D26/122
- 3,369,367 A * 2/1968 Saad C02F 3/10
16/87 R
- D217,247 S * 4/1970 Brown D23/267
- D228,998 S * 11/1973 Rozman D6/310
- D229,457 S * 12/1973 Mathieson D6/390
- D232,910 S * 9/1974 Duperrax D25/119

(Continued)

Related U.S. Application Data

- (62) Division of application No. 29/510,857, filed on Dec. 3, 2014.
- (51) **LOC (10) Cl.** **26-99**
- (52) **U.S. Cl.**
USPC **D26/118**
- (58) **Field of Classification Search**
USPC D26/2, 28, 72, 89, 113, 118, 119, 120,
D26/122, 124, 128, 138, 142, 143, 145, 60;
D13/180
CPC F41C 27/00; F41C 33/0254; G02B 5/045;
G02B 5/189; F21S 8/00; F21S 8/03; F21S
8/026; F21S 8/02; F21S 8/003; F21S 8/043;
F21S 8/06; F21S 8/04; F21V 7/005; F21V
15/01; F21V 15/04; F21V 25/00; G02F
2001/133607; F21Y 2103/00
See application file for complete search history.

(56) **References Cited**

U.S. PATENT DOCUMENTS

- 1,719,104 A * 7/1929 Dolan A01K 1/0356
119/483
- 1,888,103 A * 11/1932 Guth F21V 7/04
362/348
- D132,296 S * 5/1942 Hoeveler D26/122
- 2,401,635 A * 6/1946 Guth F21V 17/00
362/224
- 2,418,195 A * 4/1947 Rolph F21V 7/0091
362/217.05
- D177,532 S * 4/1956 Meyer D26/128

OTHER PUBLICATIONS

Corner Mount Aluminum LED Profile Housing, image post date 2002, site visited Nov. 24, 2015, (online), <<https://www.superbrightleds.com/moreinfo/housings/klus-b5391-eco-series-corner-mount-aluminum-led-profile-housing-tan-c5/1560/>>.*

(Continued)

Primary Examiner — Kevin Rudzinski
Assistant Examiner — Sean D Lough

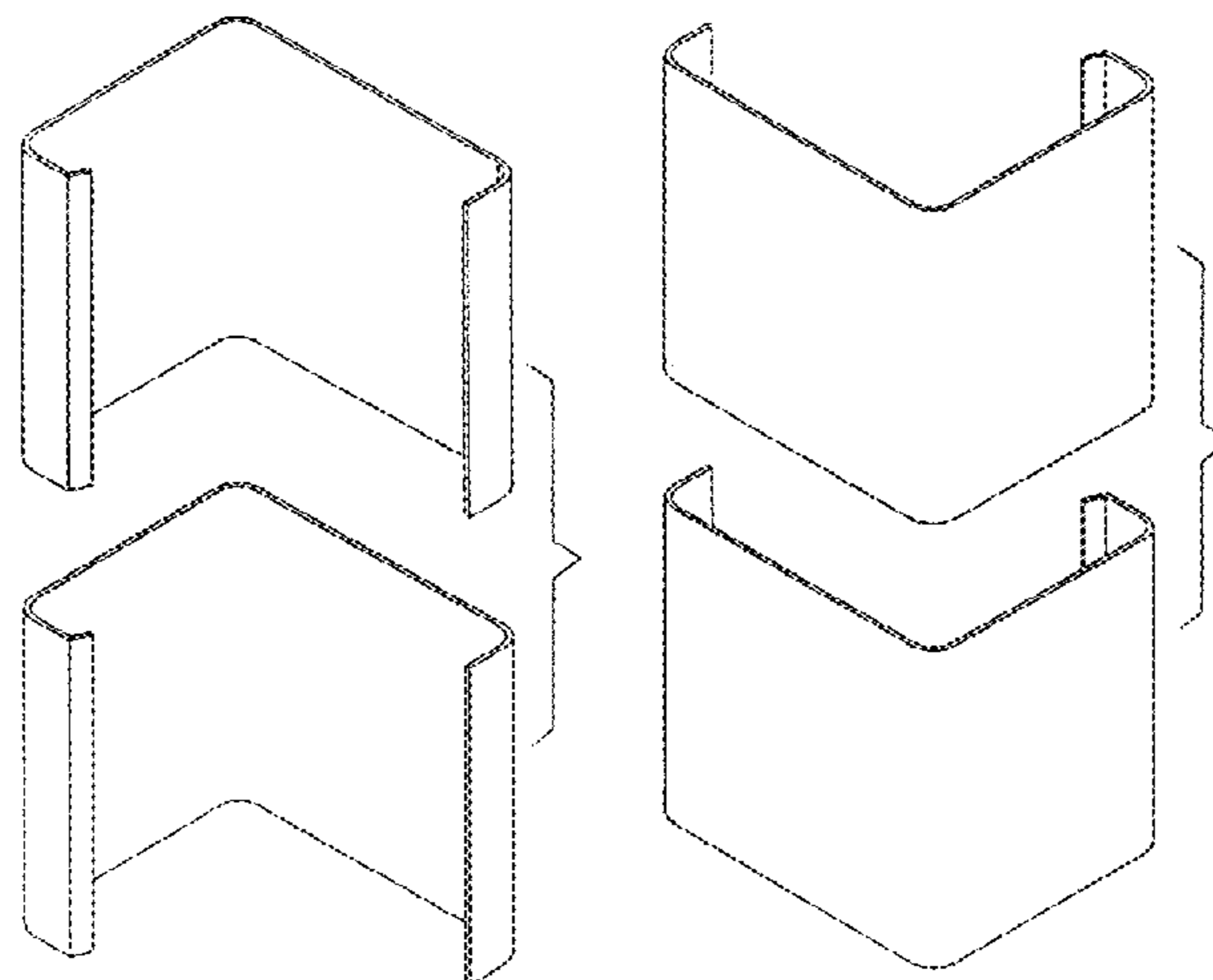
(57) **CLAIM**

The ornamental design for the reflector for hidden light strip, as shown and described.

DESCRIPTION

FIG 1 is a top front southwest isometric perspective view of the reflector for hidden light strip;
FIG. 2 is a top front southeast isometric perspective view of the reflector for hidden light strip;
FIG. 3 is a top rear southeast isometric perspective view of the reflector for hidden light strip; and,
FIG. 4 is a top rear southwest isometric perspective view of the reflector for hidden light strip.
The reflector for hidden light strip is shown with a break in the middle of the design indicated by separations and brackets shown in FIGS. 1-4. The portions of the design not shown form no part of the claimed design.

1 Claim, 1 Drawing Sheet



(56)

References Cited

U.S. PATENT DOCUMENTS

D247,276 S * 2/1978 Smith D6/310
 4,078,169 A * 3/1978 Armstrong A01G 7/045
 362/122
 D251,426 S * 3/1979 Molyneux D14/229
 D252,861 S * 9/1979 Potts D10/94
 D270,375 S * 8/1983 Cavalie D25/121
 4,496,127 A * 1/1985 Nelson A47B 19/10
 211/143
 4,499,529 A * 2/1985 Figueroa F21V 7/005
 362/217.05
 4,599,684 A * 7/1986 Lee F21V 7/0025
 362/217.05
 4,669,033 A * 5/1987 Lee F21S 8/00
 362/217
 4,719,546 A * 1/1988 Spitz F21S 8/02
 362/240
 4,768,140 A * 8/1988 Szpur F21S 6/002
 362/263
 D306,771 S * 3/1990 Gecchelin D25/119
 D311,589 S * 10/1990 Benchimol D25/119
 D314,757 S * 2/1991 Gecchelin D13/155
 D315,481 S * 3/1991 Bradshaw D8/14
 D316,613 S * 4/1991 Stein D26/122
 5,035,092 A * 7/1991 Brant E04D 13/068
 248/48.1
 D328,500 S * 8/1992 Hardy D23/267
 D330,817 S * 11/1992 Lemire D19/86
 5,175,645 A * 12/1992 Bennett G02B 5/124
 356/138
 D342,579 S * 12/1993 Mason D25/119
 5,274,533 A * 12/1993 Neary F21V 7/005
 362/221
 D345,268 S * 3/1994 Pate D25/119
 D360,038 S * 7/1995 Bancroft D25/119
 5,440,466 A * 8/1995 Belisle F21V 17/18
 362/221
 D373,963 S * 9/1996 Nagai D10/85
 D379,237 S * 5/1997 Leonelli D25/119
 D379,524 S * 5/1997 Leonelli D25/119
 5,658,066 A * 8/1997 Hirsch F21S 4/003
 362/219
 D408,578 S * 4/1999 Chen D26/118
 D418,626 S * 1/2000 Herst D26/118
 D425,605 S * 5/2000 Palmisano D23/267
 6,107,576 A * 8/2000 Morton H02G 3/0418
 174/101
 D439,652 S * 3/2001 Schonberger D23/406
 D444,262 S * 6/2001 Eberlein D26/118
 6,257,735 B1 * 7/2001 Baar F21S 2/00
 362/217.05
 6,283,432 B1 * 9/2001 Hoose, Jr. A47B 23/042
 248/441.1
 D454,180 S * 3/2002 Wessels D23/267
 D462,787 S * 9/2002 Scalzott D25/119
 D471,994 S * 3/2003 Chaney D25/124
 D472,667 S * 4/2003 Herst D26/118
 6,554,446 B1 * 4/2003 Walsh 362/131
 D479,751 S * 9/2003 Schofield D23/267
 D489,463 S * 5/2004 Barnett D25/119
 D489,830 S * 5/2004 Barnett D25/119
 D490,167 S * 5/2004 Eichner D25/119
 D494,307 S * 8/2004 Yu D26/118
 D497,758 S * 11/2004 Goldberg D25/119
 D500,882 S * 1/2005 Herst D26/118

6,908,212 B2 * 6/2005 Schultz F21V 15/01
 362/217.06
 D507,131 S * 7/2005 Pingel D6/699.5
 6,948,840 B2 * 9/2005 Grenda G02B 6/0018
 362/555
 D513,008 S * 12/2005 Takizawa D14/447
 D514,979 S * 2/2006 Baghdassarian D11/3
 D524,085 S * 7/2006 Miller D6/580
 D529,298 S * 10/2006 Houssian D25/136
 D538,462 S 3/2007 Verfuert et al.
 D538,948 S * 3/2007 Thimons D25/119
 7,207,690 B2 * 4/2007 Haugaard F21S 8/06
 362/222
 D544,136 S * 6/2007 Hargreaves D26/118
 D544,990 S * 6/2007 Guercio D26/118
 D544,994 S * 6/2007 Hargreaves D26/118
 D545,485 S 6/2007 Hargreaves
 D545,996 S 7/2007 Hargreaves
 D554,422 S * 11/2007 Lin D6/580
 D560,822 S * 1/2008 Flechsig D25/121
 D576,107 S * 9/2008 Sayres D13/155
 D577,857 S * 9/2008 Tress D26/141
 D578,248 S * 10/2008 Lee D26/138
 7,455,431 B2 * 11/2008 Brower F21V 7/0025
 362/297
 D605,341 S * 12/2009 Chung D26/118
 D607,290 S * 1/2010 Casablanca D8/45
 D612,088 S * 3/2010 Wassel D26/76
 D619,446 S * 7/2010 Reti D8/354
 D621,961 S * 8/2010 Gardner D25/119
 D622,079 S * 8/2010 Stukenberg D6/682.4
 D627,095 S * 11/2010 Miyairi D26/120
 D635,847 S * 4/2011 Olsson D8/403
 D637,341 S 5/2011 Wardenburg
 7,972,035 B2 * 7/2011 Boyer F16B 5/0258
 362/244
 8,016,456 B2 * 9/2011 Paravantsos F21V 7/005
 362/217.05
 D649,684 S * 11/2011 Trzesniowski D26/138
 D651,293 S * 12/2011 Sager, Sr. D23/267
 D652,982 S * 1/2012 Chen D26/118
 D654,618 S * 2/2012 Kong D26/122
 D659,280 S 5/2012 Guercio et al.
 D661,010 S * 5/2012 Hamblin D26/138
 8,166,683 B2 * 5/2012 Cheetwood G06F 1/10
 248/441.1
 D661,833 S 6/2012 Imajo et al.
 D665,123 S * 8/2012 Douglas D26/138
 8,376,582 B2 * 2/2013 Catone F21S 8/086
 362/249.03
 D679,417 S * 4/2013 Nolan D25/119
 D684,706 S * 6/2013 Nolan D25/119
 D711,068 S * 8/2014 Jacko D1/199
 D715,078 S * 10/2014 Bibeau D6/678
 D720,505 S * 12/2014 Kersten D30/121
 D725,819 S * 3/2015 Reynolds D26/118
 D732,234 S * 6/2015 Rashidi Doust D26/118
 D739,050 S * 9/2015 Di Marzio D25/164
 D739,595 S * 9/2015 Reynolds D26/118
 D740,479 S * 10/2015 Beno D26/118

OTHER PUBLICATIONS

Barge Capping Roof Flashing, image post date Mar. 22, 2015, site visited Nov. 24, 2015, (online), <<http://web.archive.org/web/20150322161334/http://www.metalroofingonline.com.au/barge-cappings/86-barge-capping-roof-flashing-zincalume.html>>.*

* cited by examiner

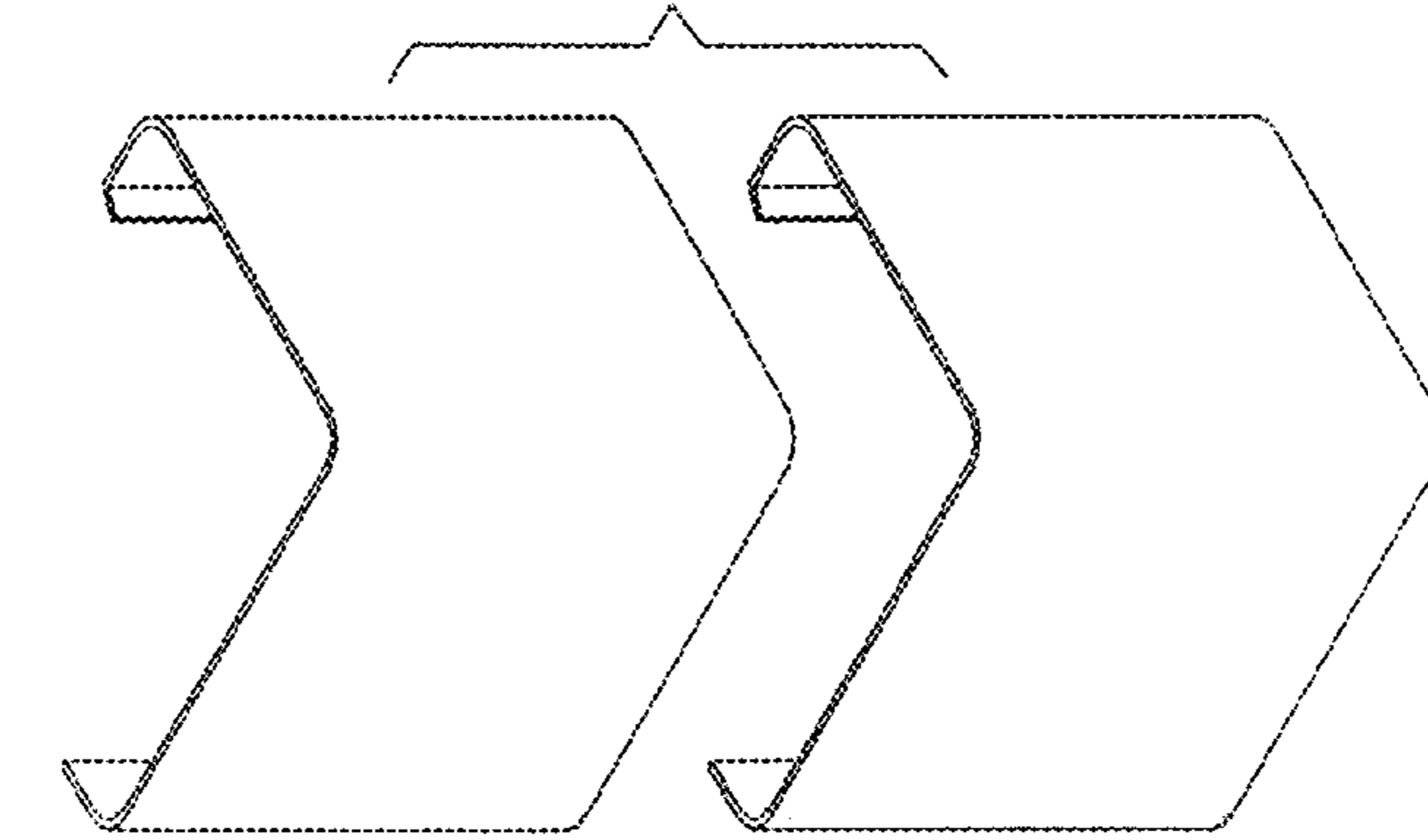


FIG. 4

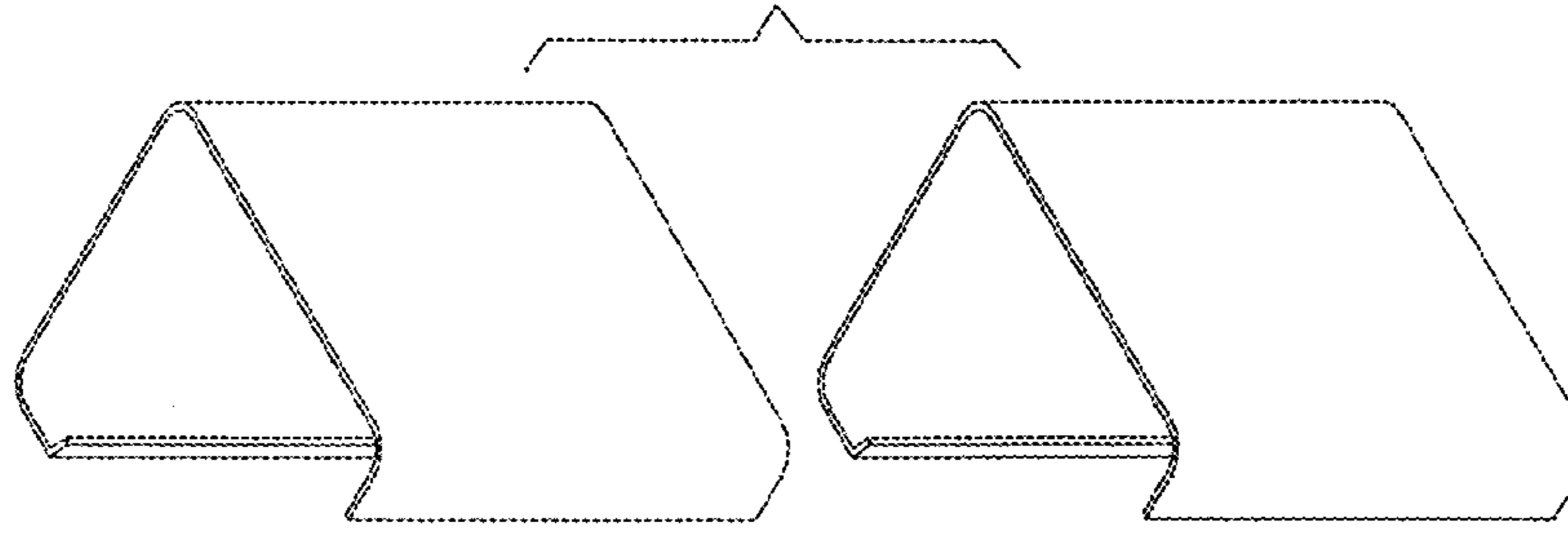


FIG. 3

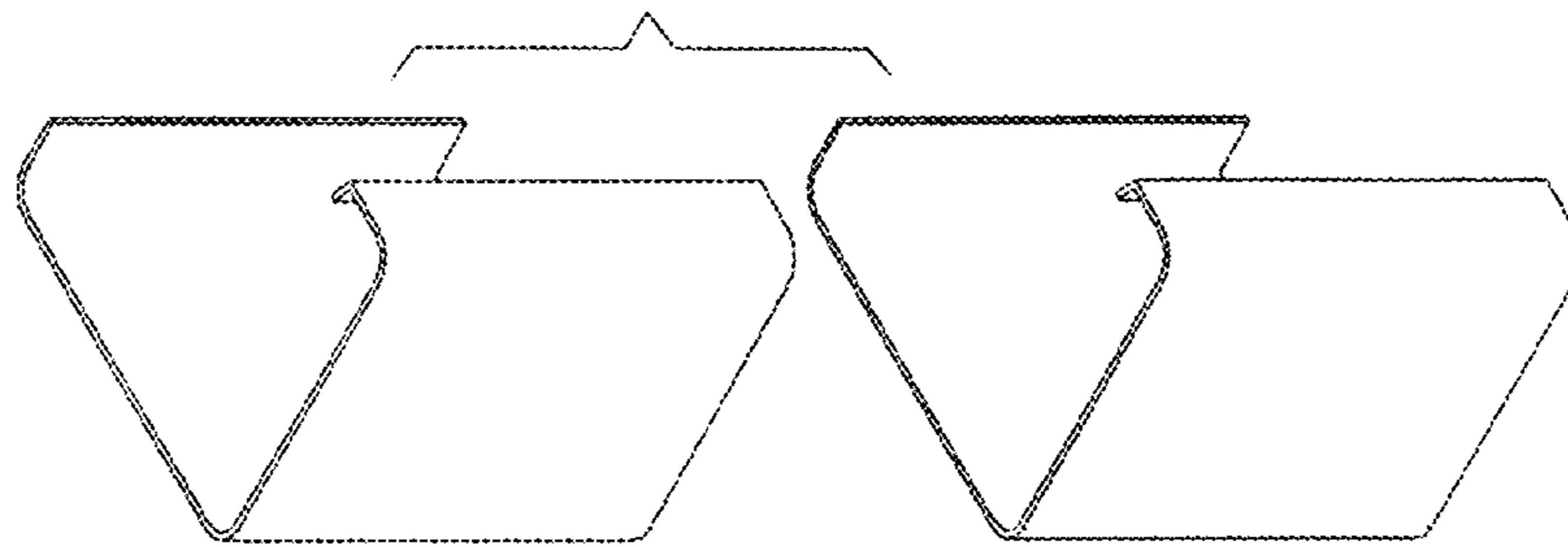


FIG. 2

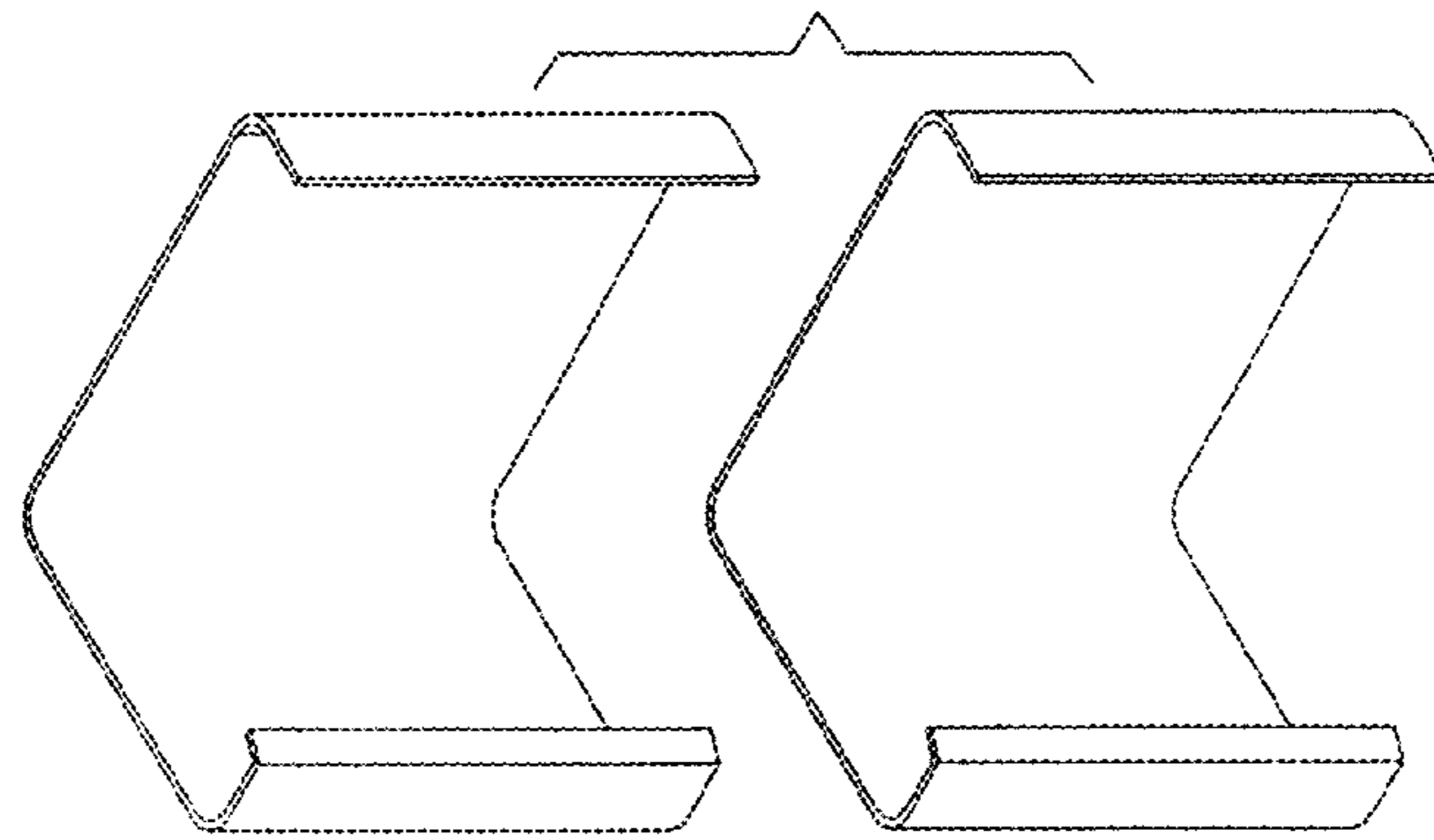


FIG. 1