



US00D749774S

(12) **United States Design Patent**
Provitola

(10) **Patent No.:** **US D749,774 S**
(45) **Date of Patent:** **** Feb. 16, 2016**

(54) **REFLECTOR FOR HIDDEN LIGHT STRIP**

(71) Applicant: **Anthony I. Provitola**, DeLand, FL (US)

(72) Inventor: **Anthony I. Provitola**, DeLand, FL (US)

(**) Term: **14 Years**

(21) Appl. No.: **29/510,857**

(22) Filed: **Dec. 3, 2014**

(51) **LOC (10) Cl.** **26-99**

(52) **U.S. Cl.**
USPC **D26/118**

(58) **Field of Classification Search**

USPC D26/9, 10, 12, 13, 15, 16, 24, 51, 61,
D26/72, 76, 80, 81, 85, 86, 88, 90, 113, 118,
D26/119, 120, 122, 128, 129, 138, 143, 144,
D26/5, 6, 11, 79, 114, 116, 131, 137, 121,
D26/135; D13/180; D10/18, 21, 24, 25, 27,
D10/28, 46, 93, 104.1, 113, 114, 116.1;
D17/99
CPC B60Q 1/26; F21L 19/00; F23D 11/443;
F21V 37/002; F21V 21/04; F21V 29/2212;
F21V 21/02; F21V 29/004; F21V 5/02;
F21V 17/02; F21V 7/0025; F21V 14/06;
F21V 3/02; F21V 13/04; F21V 7/0016;
A61L 9/037; F21S 8/04; F21S 8/026; F21S
8/00; F21Y 2101/02; F21Y 2103/00; F21W
2131/402

See application file for complete search history.

(56) **References Cited**

U.S. PATENT DOCUMENTS

181,877 A * 9/1876 Symmes 362/379
432,305 A * 7/1890 Foley 248/229.26

(Continued)

OTHER PUBLICATIONS

Protracted Round Frosted Lens, image post date 2002, site visited
Aug. 6, 2015, (online), <<https://www.superbrightleds.com/moreinfo/housing-accessories/klus-00413-gip-series-protracted-round-frosted-lens-gip-l/1424/>>.*

com/moreinfo/housing-accessories/klus-00413-gip-series-protracted-round-frosted-lens-gip-l/1424/>.*

(Continued)

Primary Examiner — Kevin Rudzinski

Assistant Examiner — Sean D Lough

(57) **CLAIM**

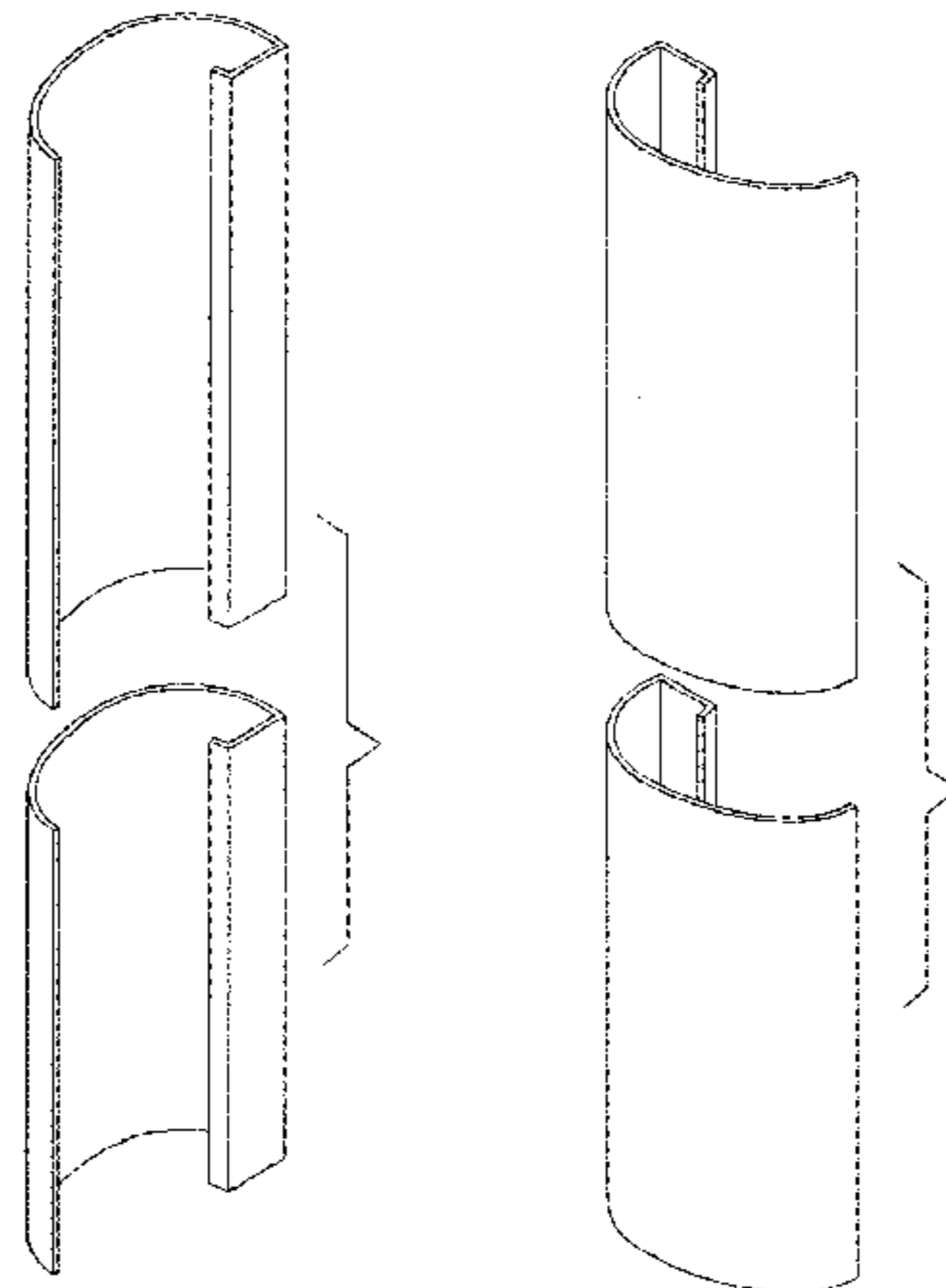
The ornamental design for the reflector for hidden light strip, as shown and described.

DESCRIPTION

FIG. 1 is a top front southwest isometric perspective view of embodiment 1 of the reflector for hidden light strip; FIG. 2 is a top front southwest isometric perspective view of embodiment 2 of the reflector for hidden light strip; FIG. 3 is a top front southwest isometric perspective view of embodiment 3 of the reflector for hidden light strip; FIG. 4 is a top front southwest isometric perspective view of embodiment 4 of the reflector for hidden light strip; FIG. 5 is a top front southeast isometric perspective view of embodiment 1; FIG. 6 is a top front southeast isometric perspective view of embodiment 2; FIG. 7 is a top front southeast isometric perspective view of embodiment 3; FIG. 8 is a top front southeast isometric perspective view of embodiment 4; FIG. 9 is a top rear southeast isometric perspective view of embodiment 1; FIG. 10 is a top rear southeast isometric perspective view of embodiment 2; FIG. 11 is a top rear southeast isometric perspective view of embodiment 3; and, FIG. 12 is a top rear southeast isometric perspective view of embodiment 4.

The reflector for hidden light strip is shown with a break in the middle of the design indicated by separations and brackets shown in FIGS. 1-12. The portions of the design not shown form no part of the claimed design.

1 Claim, 3 Drawing Sheets



(56)

References Cited

U.S. PATENT DOCUMENTS

1,888,103 A * 11/1932 Guth 362/348
 2,160,456 A * 5/1939 Evans A47B 97/02
 40/603
 2,293,672 A * 8/1942 Bookman, Jr. 362/355
 2,824,216 A * 2/1958 Brennan 362/311.03
 D193,022 S * 6/1962 Zurawski D26/76
 3,099,403 A * 7/1963 Strawick 362/224
 D215,157 S * 9/1969 Edmondson et al. D23/267
 D247,636 S * 3/1978 Win D26/152
 D272,802 S * 2/1984 Dall-Winther D8/396
 4,496,127 A * 1/1985 Nelson A47B 19/10
 211/143
 4,499,529 A * 2/1985 Figueroa 362/283
 D285,489 S * 9/1986 Russell D26/86
 4,669,033 A * 5/1987 Lee 362/319
 D298,739 S * 11/1988 Richards, Jr. D8/395
 4,814,954 A * 3/1989 Spitz 362/217.07
 5,222,315 A * 6/1993 Lovison A47G 1/14
 40/745
 D355,497 S * 2/1995 Ancona et al. D26/26
 D386,794 S * 11/1997 Rath D20/41
 D394,728 S * 5/1998 Alexander D26/118
 D399,014 S * 9/1998 Emmerling D26/26
 5,921,667 A * 7/1999 Raby et al. 362/346
 6,053,624 A * 4/2000 Cronk 362/347
 D438,135 S * 2/2001 DiDomizio et al. D10/111
 D452,031 S * 12/2001 Brunner et al. D26/87
 6,382,817 B1 * 5/2002 Chelf 362/322
 6,527,400 B2 * 3/2003 Dickie et al. 362/84
 D486,600 S * 2/2004 Coe D26/85
 D492,799 S * 7/2004 Friedman D26/26
 D507,844 S * 7/2005 Friedman D26/118
 D538,462 S * 3/2007 Verfuert et al.
 7,192,161 B1 * 3/2007 Cleaver et al. 362/260
 D544,131 S * 6/2007 Blackman D26/85
 D544,990 S * 6/2007 Guercio D26/118
 D545,485 S * 6/2007 Hargreaves
 D545,996 S * 7/2007 Hargreaves
 D548,796 S * 8/2007 Sachnoff D20/43
 D550,390 S * 9/2007 Chandler D26/87
 D558,569 S * 1/2008 Hanley D8/400
 D578,248 S * 10/2008 Lee et al. D26/138
 D584,132 S * 1/2009 Judd D8/356
 D589,639 S * 3/2009 Silver D26/85
 7,517,116 B2 * 4/2009 Pfund 362/334
 7,578,607 B2 * 8/2009 Yamashita et al. 362/339

D600,401 S * 9/2009 Varrin D26/138
 D601,746 S * 10/2009 Sabernig D26/120
 D603,079 S * 10/2009 Toot et al. D26/76
 7,600,907 B2 * 10/2009 Liu et al. 362/555
 D605,329 S * 12/2009 Watt et al. D26/76
 D605,343 S * 12/2009 Watt D26/118
 D606,501 S * 12/2009 Plonski et al. D13/179
 D617,749 S * 6/2010 Huang et al. D13/179
 D623,797 S * 9/2010 Boissevain D26/118
 D625,460 S * 10/2010 Boissevain D26/118
 D625,463 S * 10/2010 Klus D26/138
 D627,095 S * 11/2010 Miyairi et al. D26/120
 D627,397 S * 11/2010 Horn D20/39
 D627,398 S * 11/2010 Horn D20/39
 7,828,467 B2 * 11/2010 Lee 362/331
 7,833,645 B2 * 11/2010 Fuglevand et al. 429/492
 D629,959 S * 12/2010 Boissevain D26/120
 D637,341 S * 5/2011 Wardenburg
 D643,571 S * 8/2011 Chen D26/118
 8,016,456 B2 * 9/2011 Paravantsos et al. 362/282
 D652,982 S * 1/2012 Chen D26/118
 D659,280 S * 5/2012 Guercio et al.
 D659,304 S * 5/2012 Vatka et al. D30/155
 D661,833 S * 6/2012 Imajo et al.
 D688,596 S * 8/2013 Dunn D11/184
 D692,685 S * 11/2013 Chou D6/580
 D698,969 S * 2/2014 Johns et al. D26/74
 D709,952 S * 7/2014 Logan et al. D20/10
 D710,535 S * 8/2014 Edwards et al. D26/122
 8,890,186 B2 * 11/2014 Ogata et al. 257/98
 8,894,246 B2 * 11/2014 Son 362/294
 D720,494 S * 12/2014 Okano D26/118
 D723,150 S * 2/2015 Furner et al. D23/366
 D724,192 S * 3/2015 Mecker D23/366
 D731,110 S * 6/2015 Poppenheimer D26/120
 D733,960 S * 7/2015 Howe D26/122
 D734,683 S * 7/2015 Middione et al. D10/116.1
 2010/0085748 A1 * 4/2010 Kelly et al. 362/235

OTHER PUBLICATIONS

C6 Agility Shin Pads, image post date Jul. 30, 2012, site visited Aug. 6, 2015, (online), <<http://soccerreviews.com/the-pep-talk-c6-agility-shin-pads-review/>>.*
 LED strip profile, image post date 2004, site visited Oct. 29, 2015, (online), <<http://www.dhgate.com/product/sales-promotion-50-2m-v-shape-aluminum-led/254400224.html>>.*

* cited by examiner

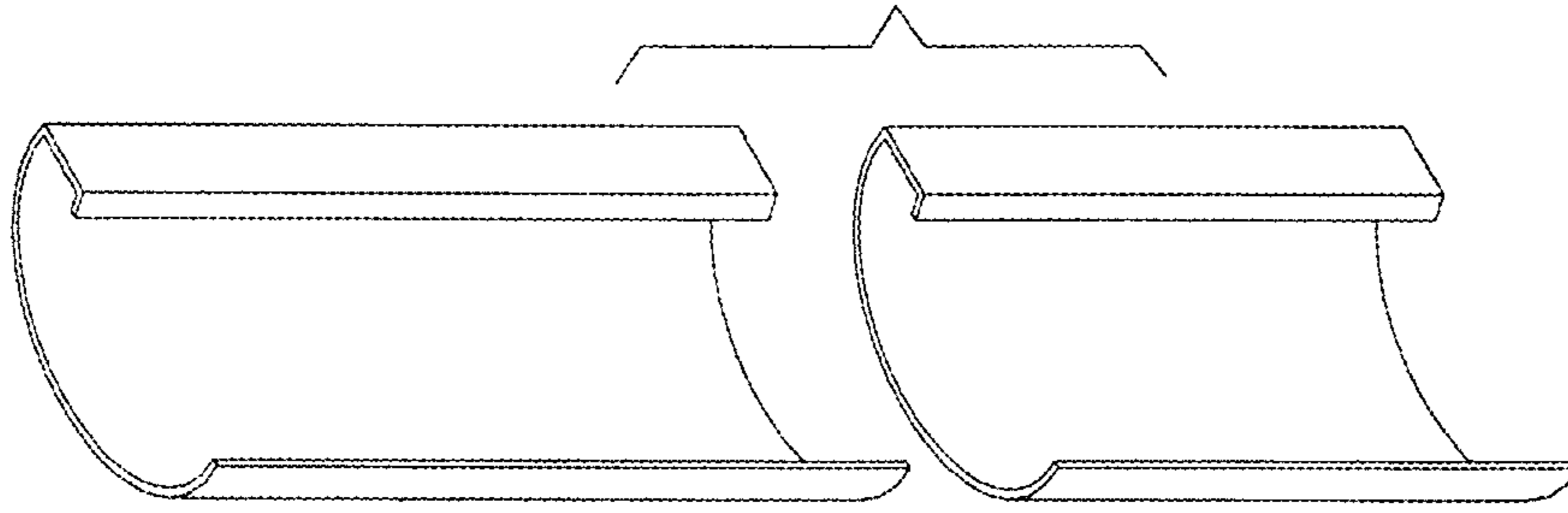


FIG. 4

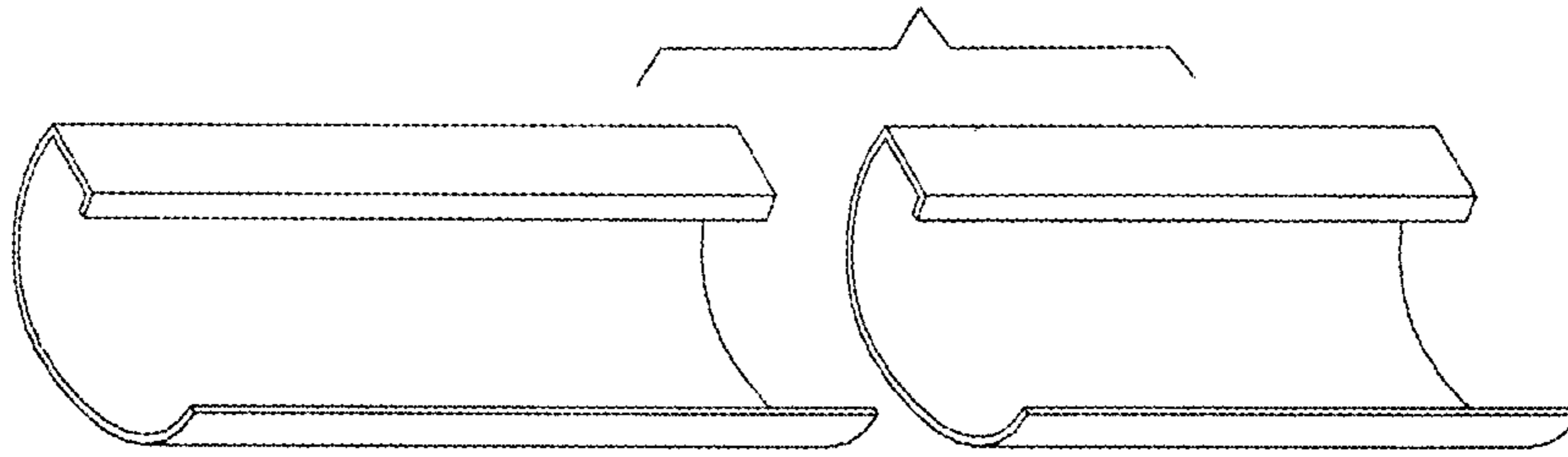


FIG. 3

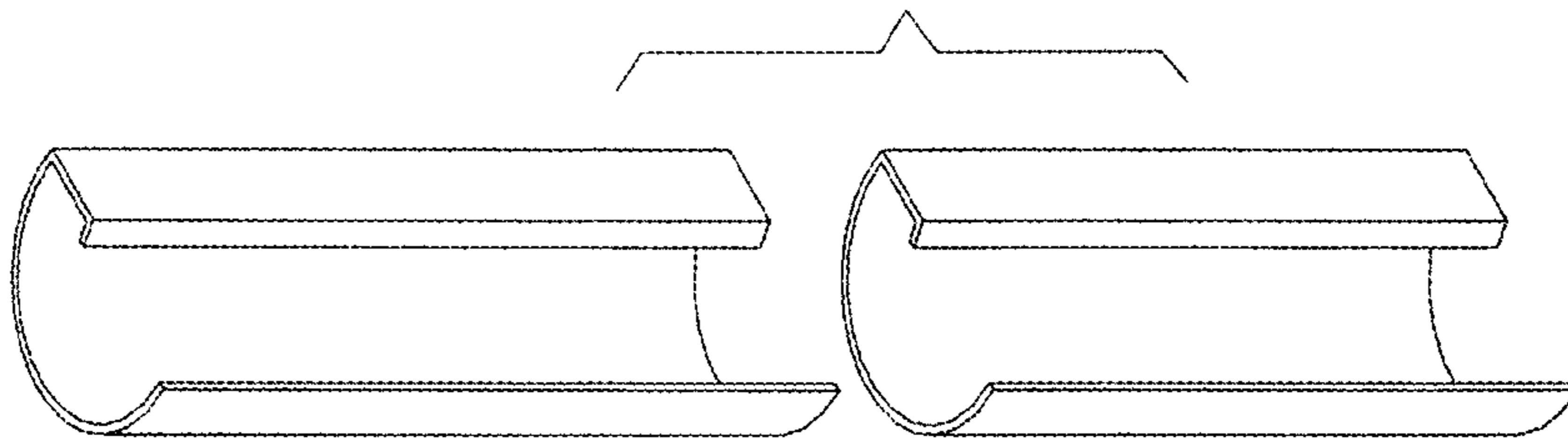


FIG. 2

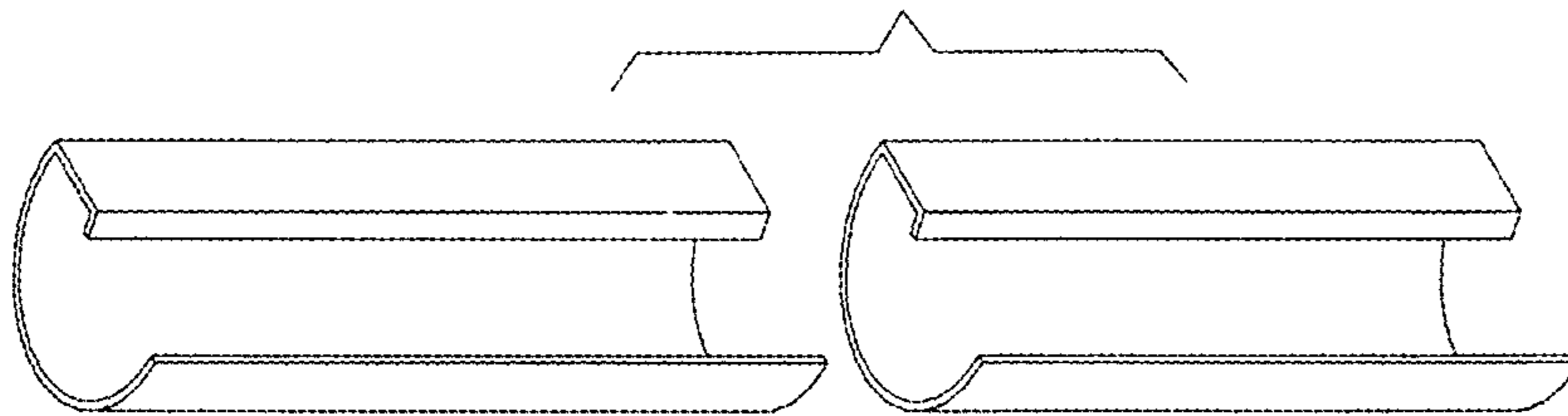


FIG. 1

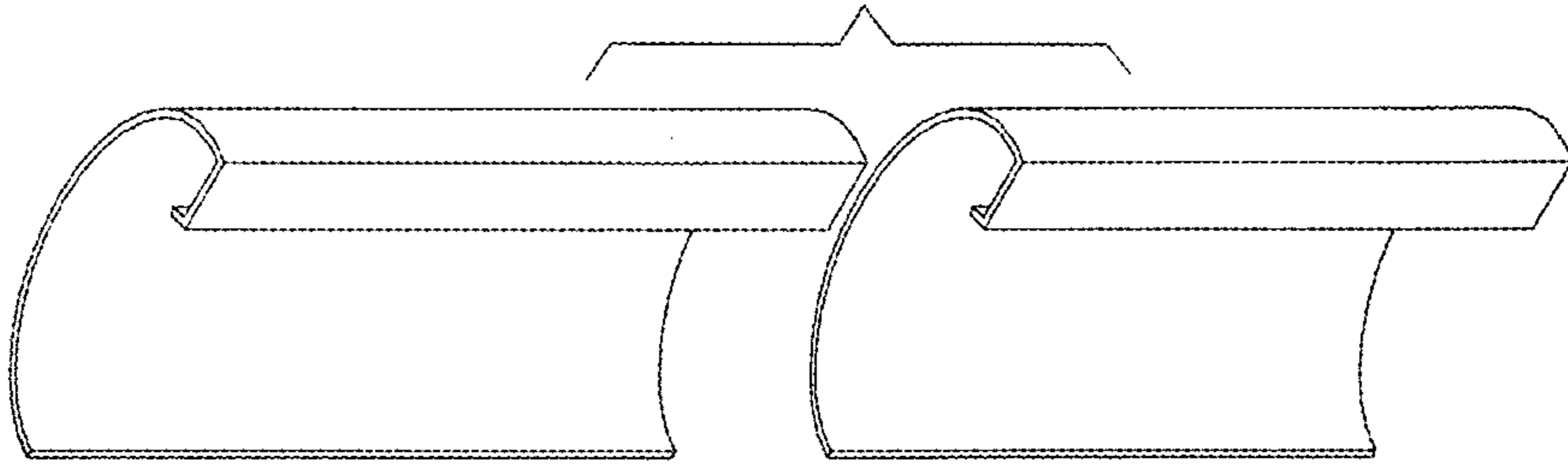


FIG. 8

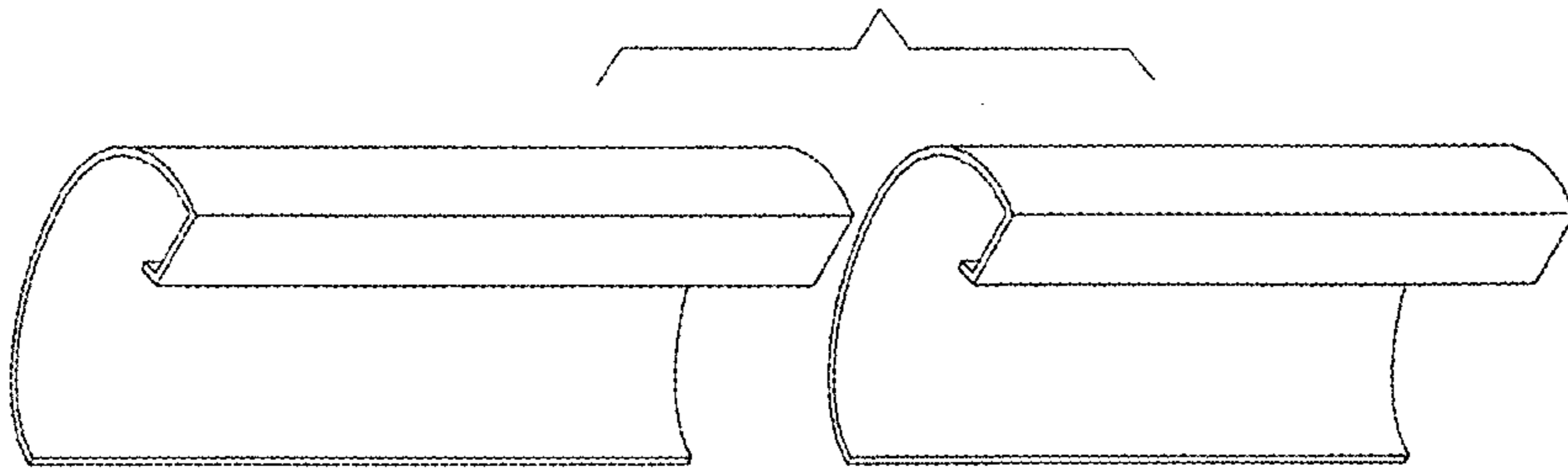


FIG. 7

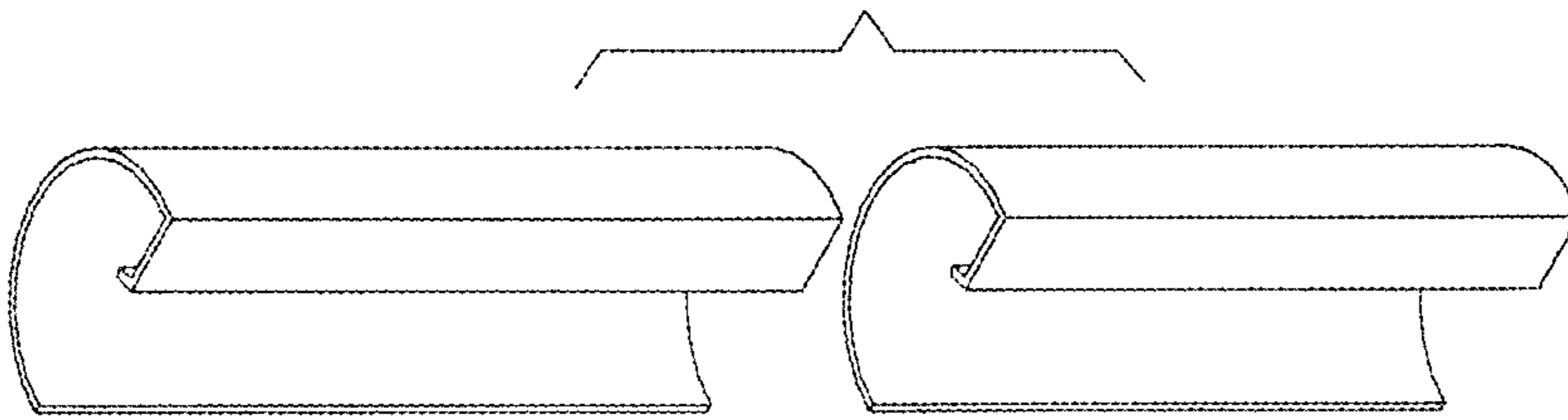


FIG. 6

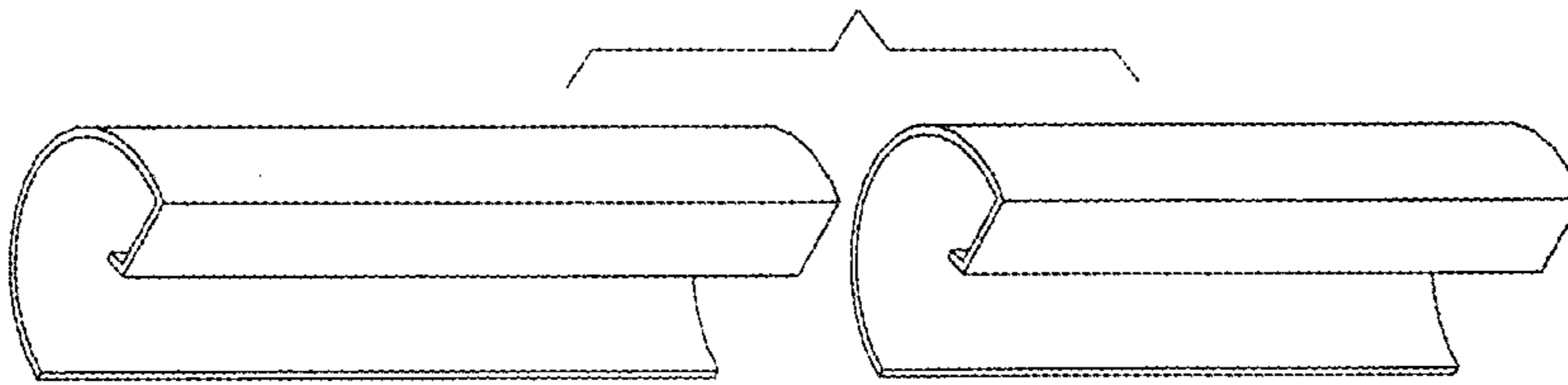


FIG. 5

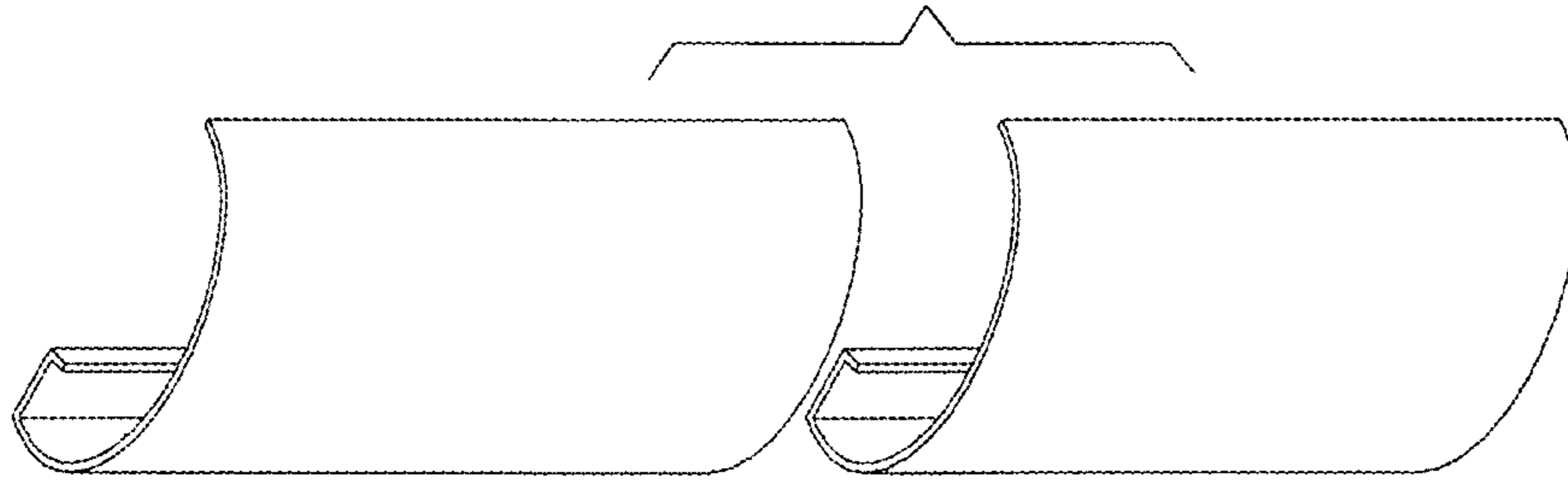


FIG. 9

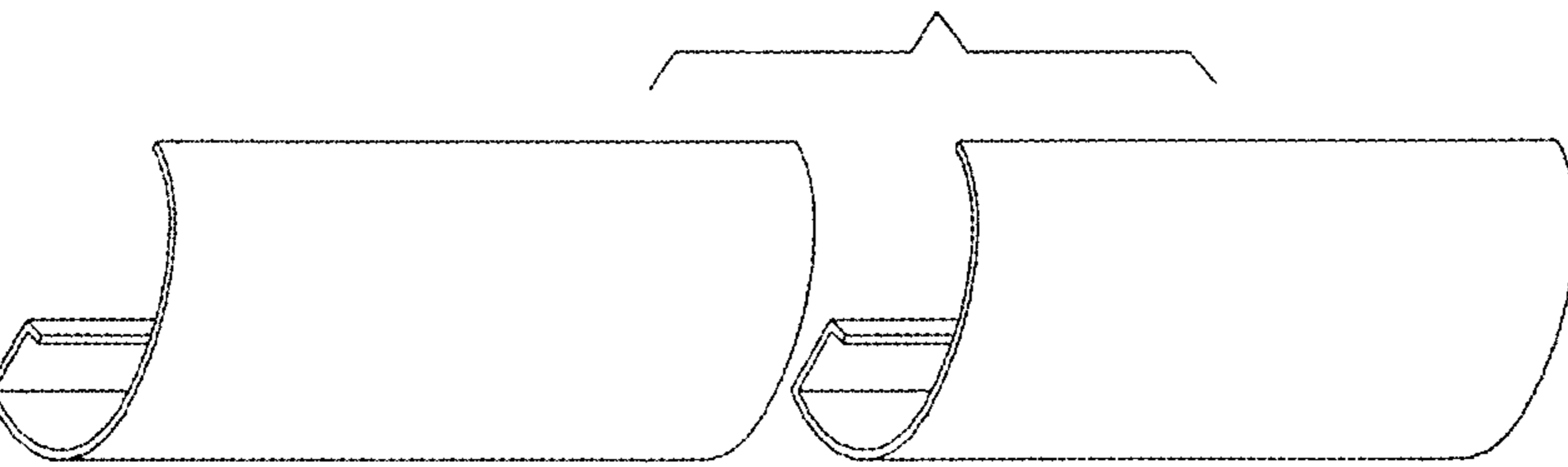


FIG. 10

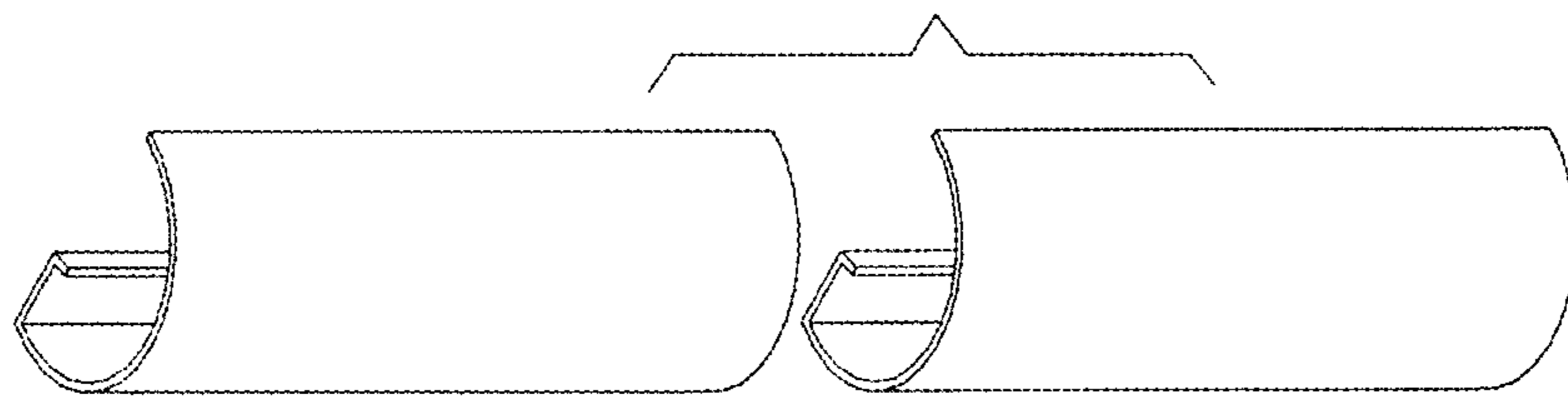


FIG. 11

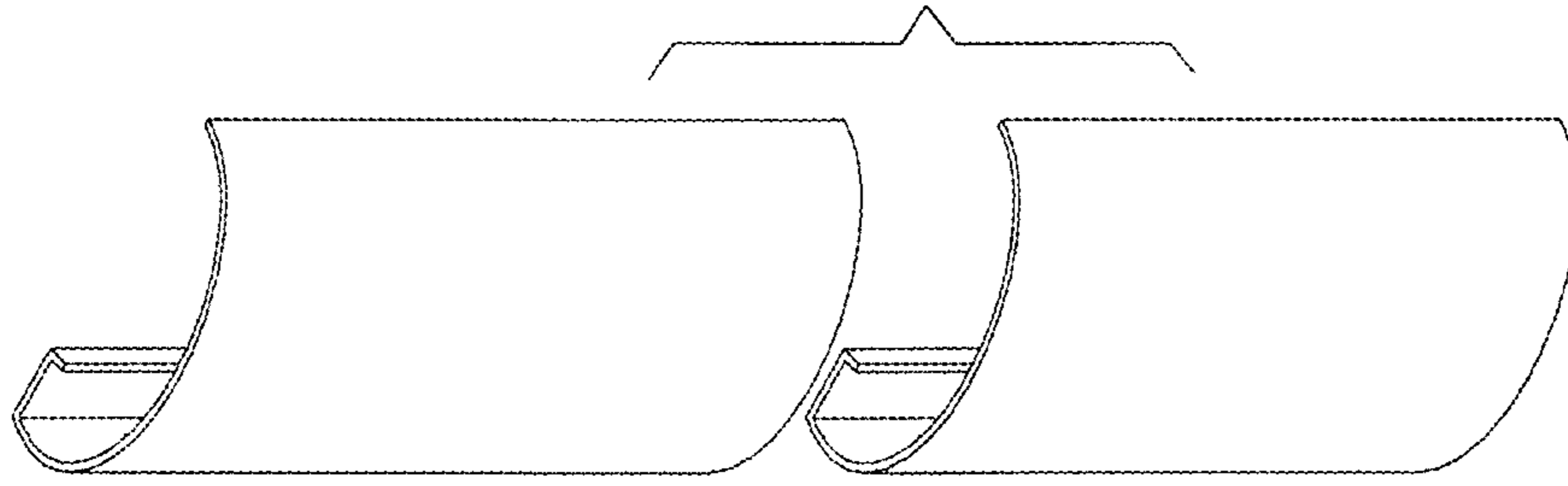


FIG. 12