



US00D749773S

(12) **United States Design Patent**
Waible

(10) **Patent No.:** **US D749,773 S**
(45) **Date of Patent:** **** Feb. 16, 2016**

(54) **AIR-COOLED HORTICULTURE LIGHT REFLECTOR**

(71) Applicant: **Stephen Roy Waible**, Portland, OR (US)

(72) Inventor: **Stephen Roy Waible**, Portland, OR (US)

(**) Term: **14 Years**

(21) Appl. No.: **29/474,397**

(22) Filed: **Sep. 8, 2014**

(51) **LOC (10) Cl.** **26-99**

(52) **U.S. Cl.**
USPC **D26/118**

(58) **Field of Classification Search**
USPC D26/25–26, 28, 51, 55–57, 59–64, 66,
D26/72–91, 93, 113, 118–120, 122, 138,
D26/140–142; 362/145–148, 150–153,
362/153.1, 217.01, 217.02, 217.05–217.07,
362/217.1, 217.15, 218, 223, 241, 249,
362/249.02, 296.07, 296.08, 294, 299,
362/311.02, 362, 373, 600, 608, 609, 640,
362/641; D11/142, 143, 144, 155
See application file for complete search history.

(56) **References Cited**

U.S. PATENT DOCUMENTS

32,722	A *	7/1861	Schmidlin et al.	362/350
D85,049	S *	9/1931	Kopp	D26/128
3,675,008	A *	7/1972	Hill	362/360
D248,359	S *	7/1978	Meyer	D11/155
4,979,086	A *	12/1990	Heinisch	362/297
5,287,259	A *	2/1994	Lautzenheiser	362/341
D400,289	S *	10/1998	Wardenburg et al.	D26/118
D425,652	S *	5/2000	Brok	D26/118
D442,733	S *	5/2001	Minissi et al.	D26/118

D469,564	S *	1/2003	Brok	D26/118
D544,995	S *	6/2007	Hargreaves	D26/118
D545,994	S *	7/2007	Hargreaves	D26/118
7,445,363	B2 *	11/2008	Vanden Eynden	362/297
D614,801	S *	4/2010	Collins et al.	D26/118
D621,993	S *	8/2010	Jong	D26/118
D634,468	S *	3/2011	Hargreaves	D26/118
D650,515	S *	12/2011	Bradley et al.	D26/118
D682,462	S *	5/2013	Tuck et al.	D26/118
D683,064	S *	5/2013	Tuck	D26/118
D687,592	S *	8/2013	Park	D26/118
D717,487	S *	11/2014	Guzzini	D26/118

* cited by examiner

Primary Examiner — Cynthia Ramirez

Assistant Examiner — Llorellys Martinez-Rivera

(74) *Attorney, Agent, or Firm* — Klarquist Sparkman, LLP

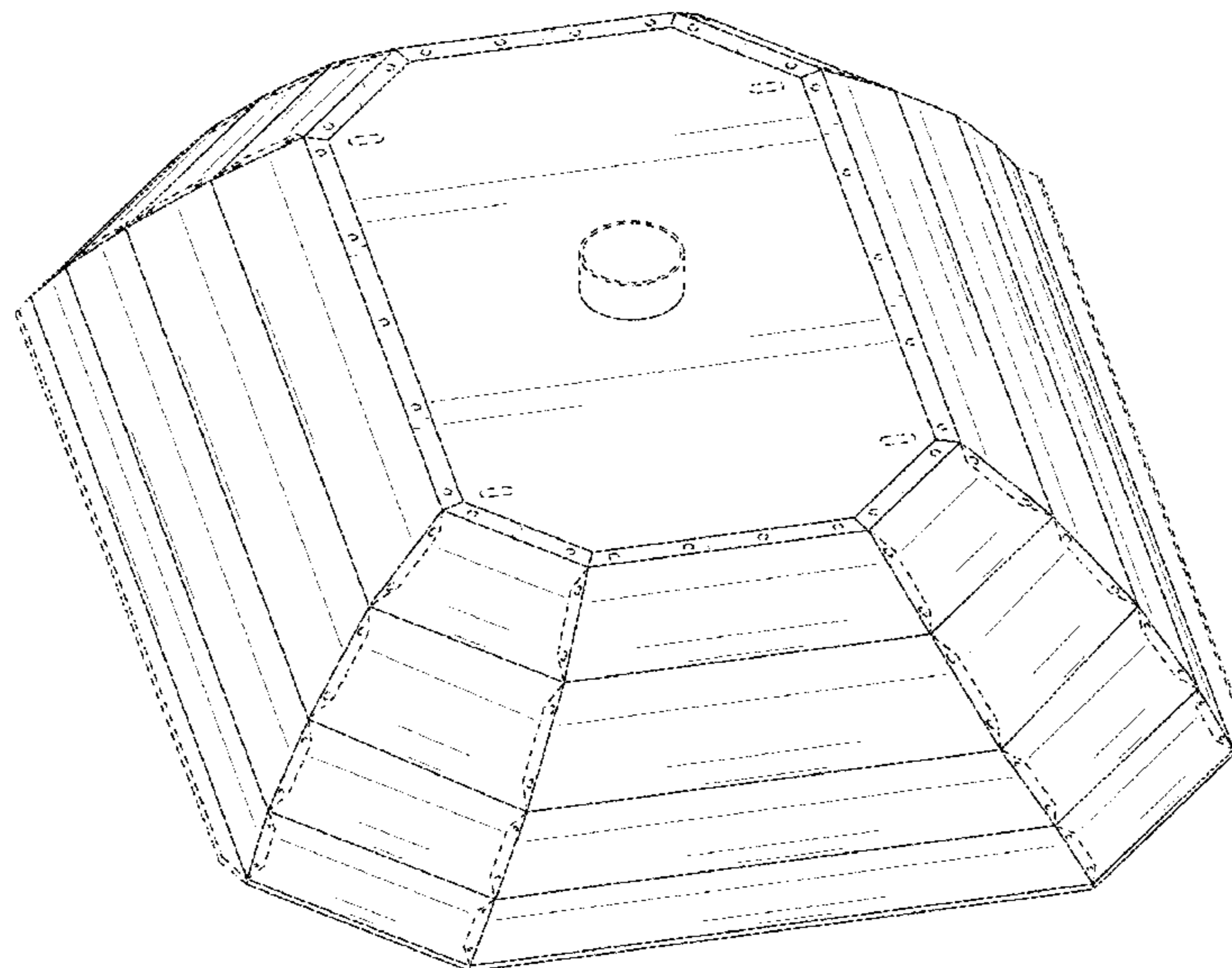
(57) **CLAIM**

The ornamental design for an air-cooled horticulture light reflector, as shown and described.

DESCRIPTION

FIG. 1 is a perspective view of an air-cooled horticulture light reflector showing my new design;
FIG. 2 is a bottom view thereof;
FIG. 3 is a top view thereof;
FIG. 4 is a front view thereof, the rear view being a mirror image thereof;
FIG. 5 is a right elevation view thereof, the left elevation view being a mirror image thereof;
FIG. 6 is a cross-sectional view along line 6-6 of FIG. 3; and,
FIG. 7 is a cross-sectional view along line 7-7 of FIG. 3.
The broken lines shown in FIGS. 1 through 7 illustrate portions of the air-cooled horticulture light reflector which form no part of the claimed design.

1 Claim, 7 Drawing Sheets



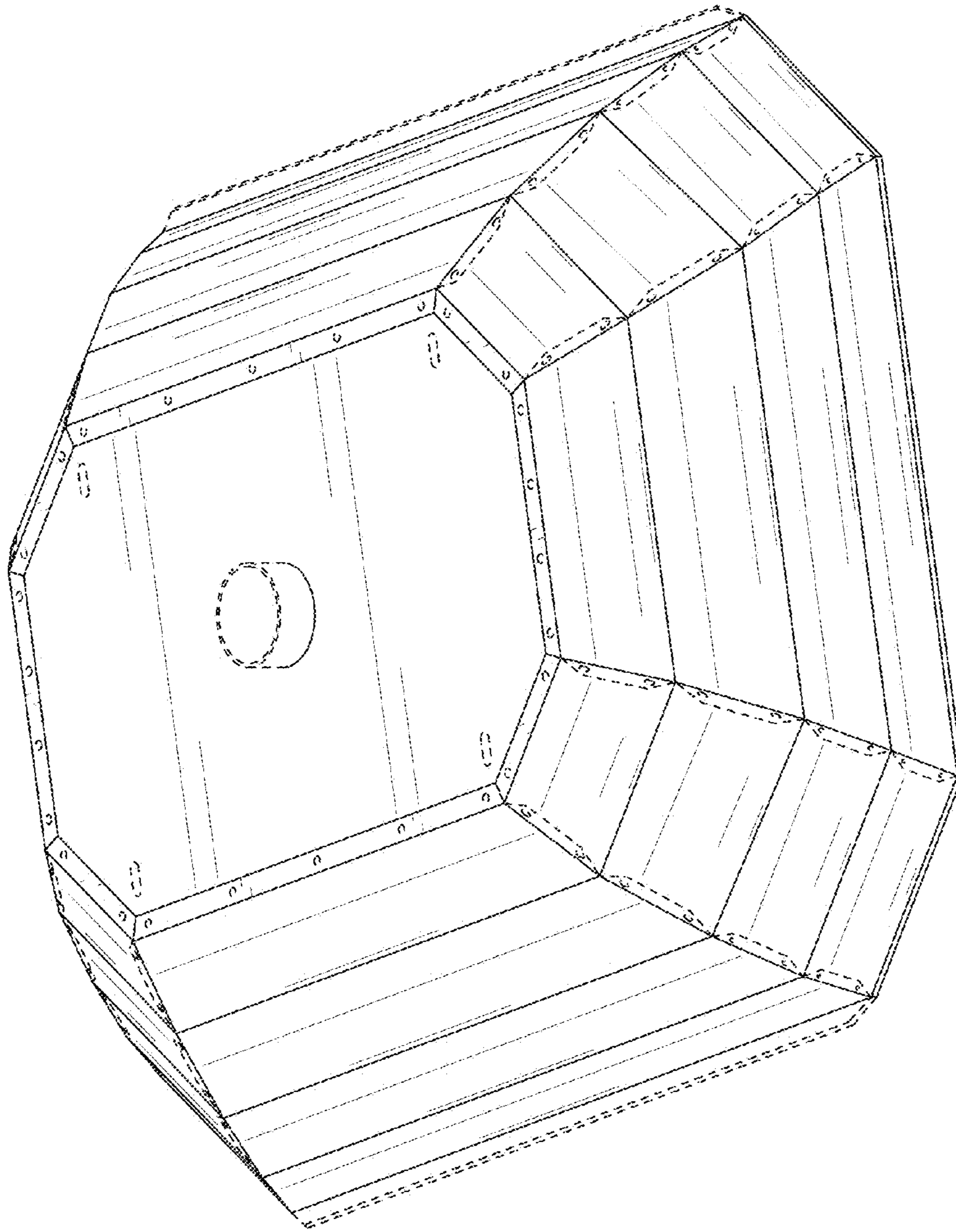


FIG. 1

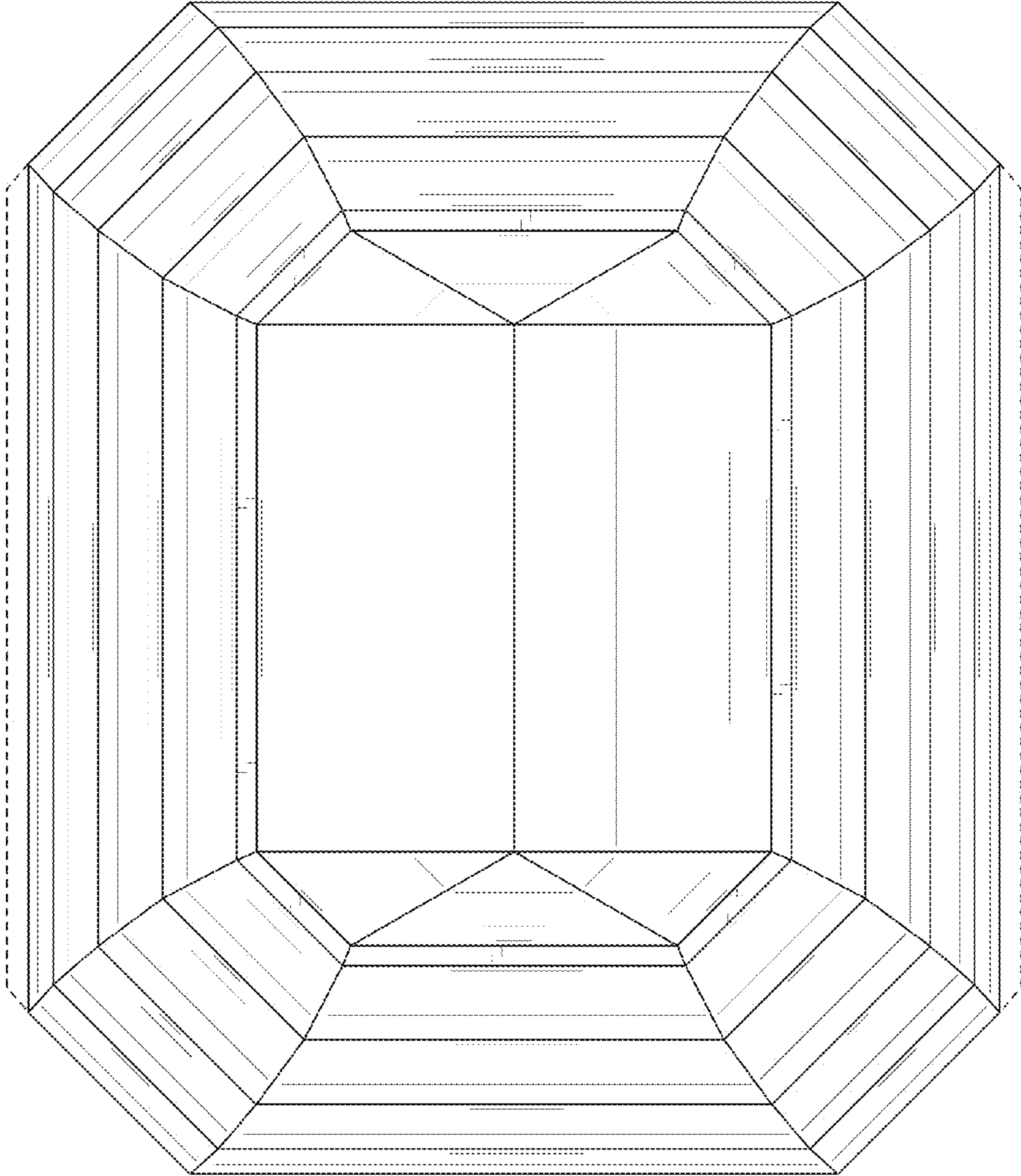


FIG. 2

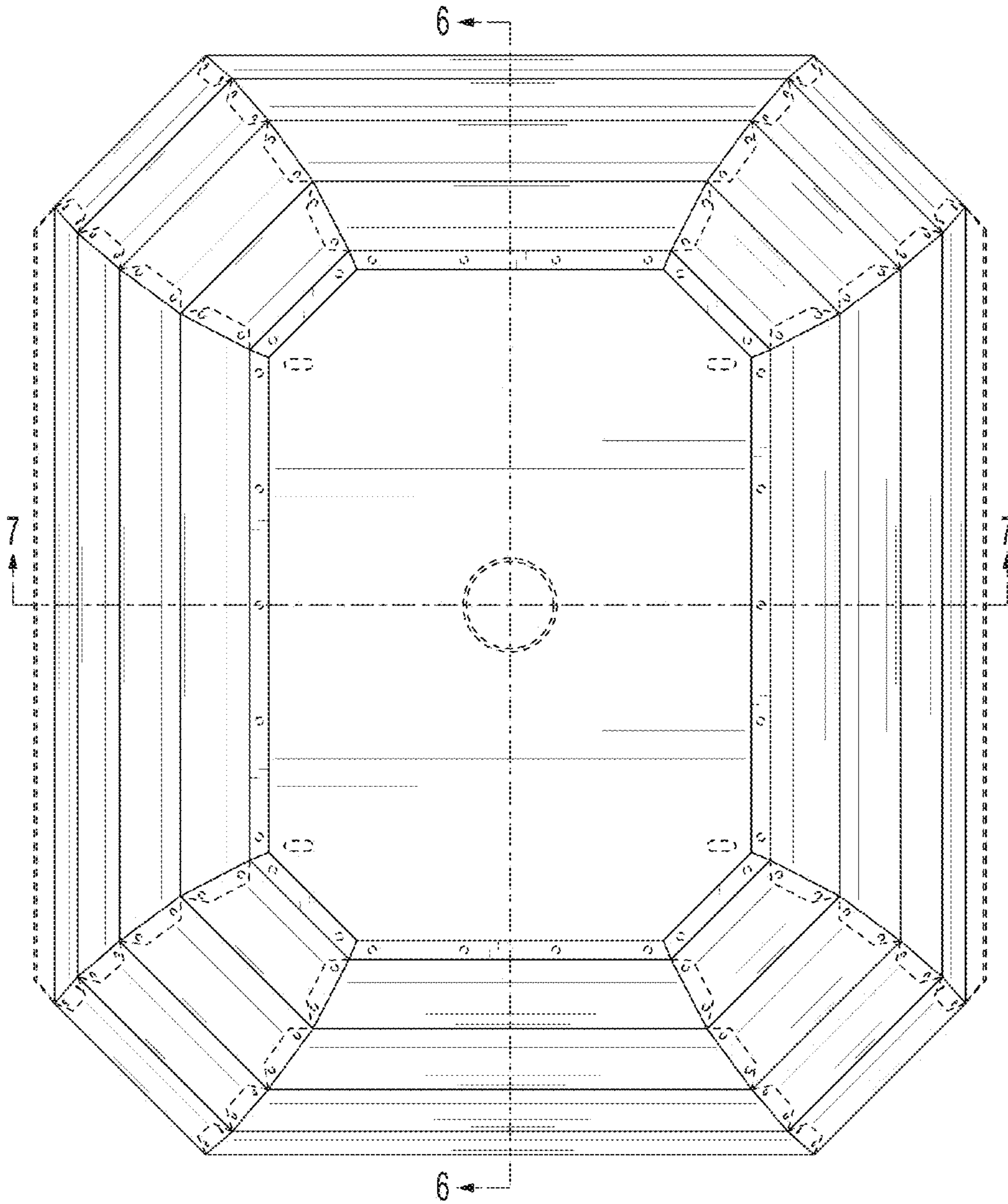


FIG. 3

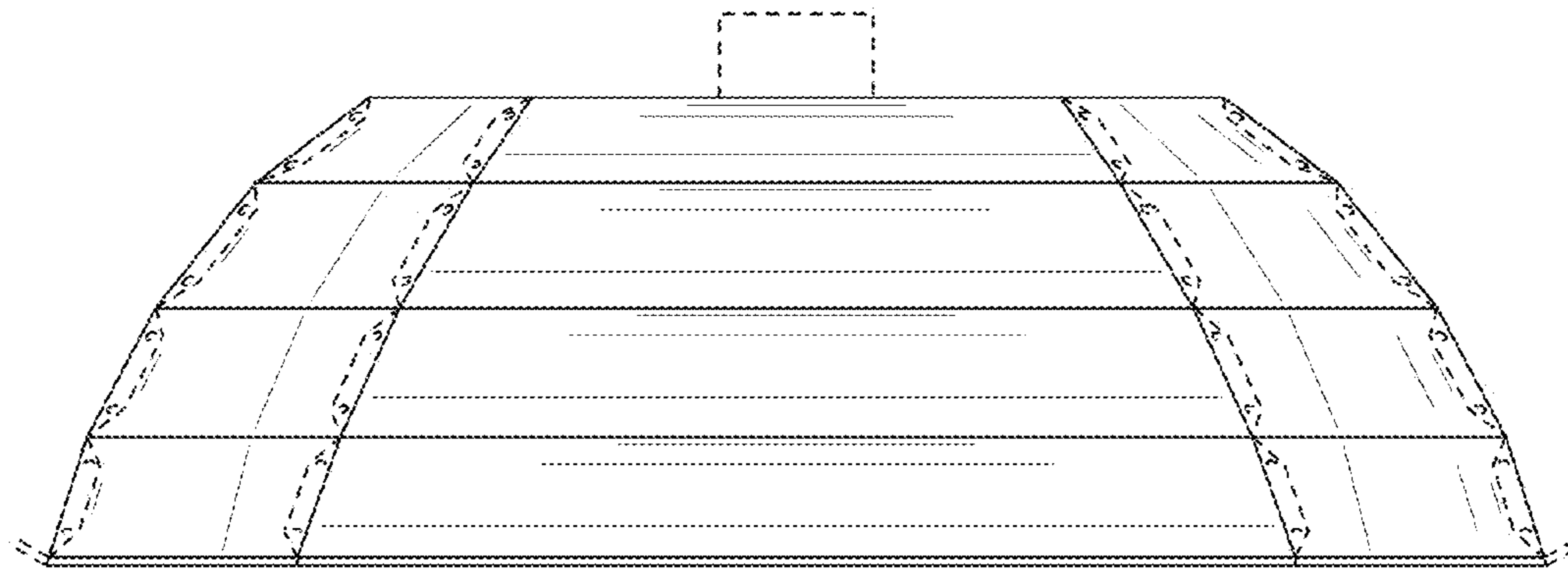


FIG. 4

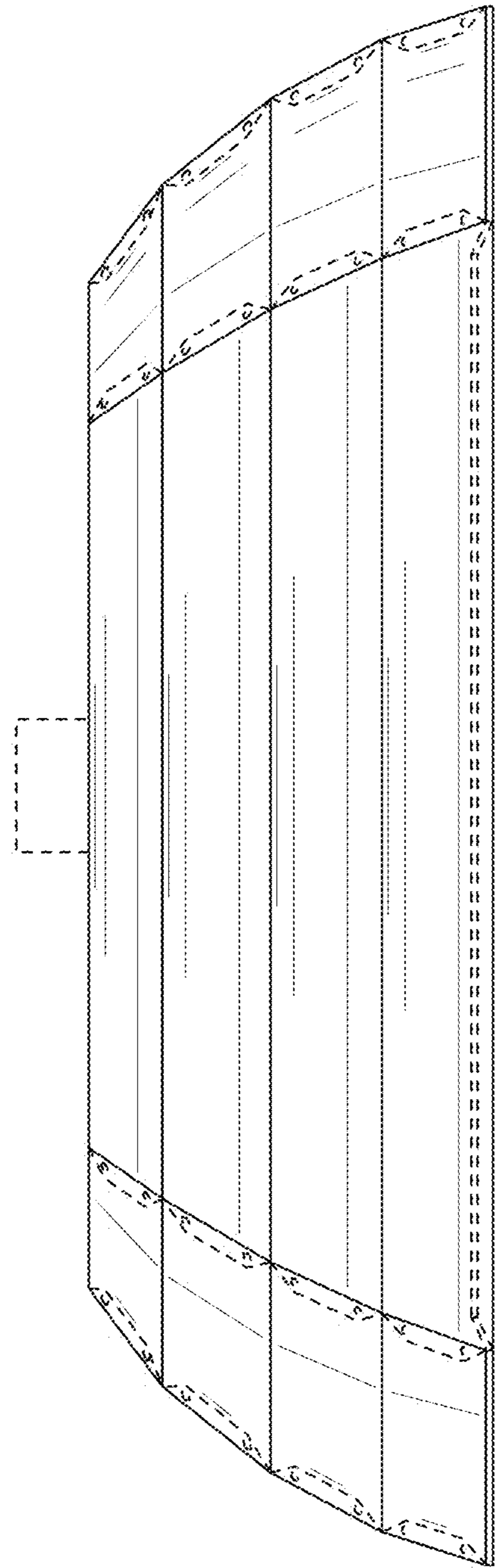


FIG. 5

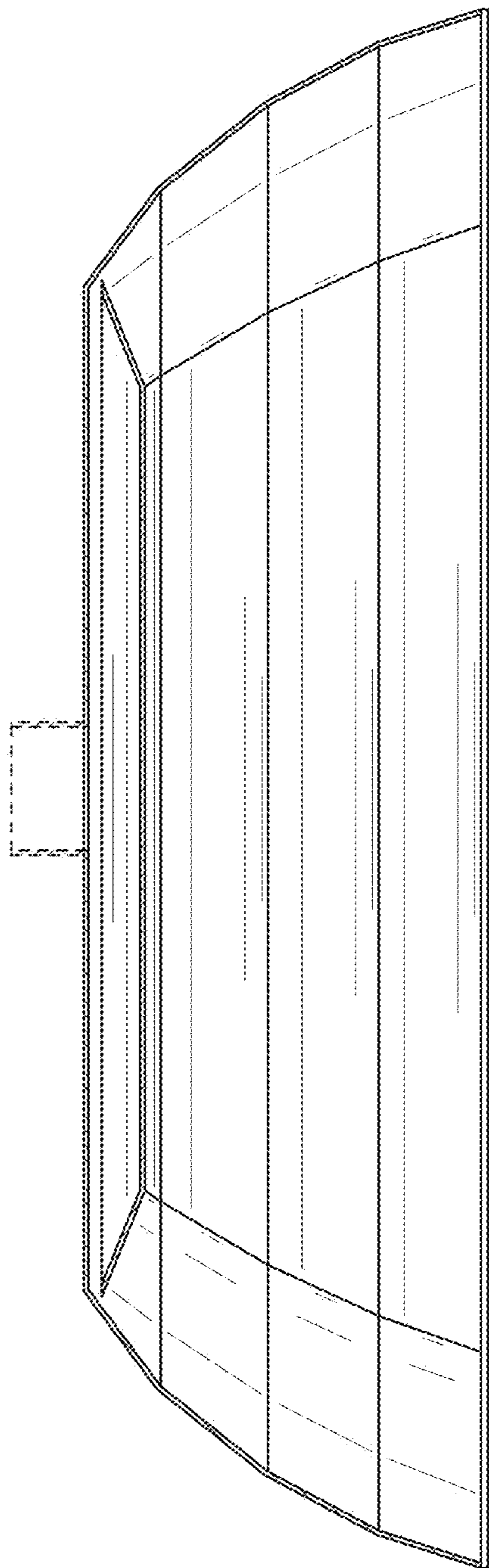


FIG. 6

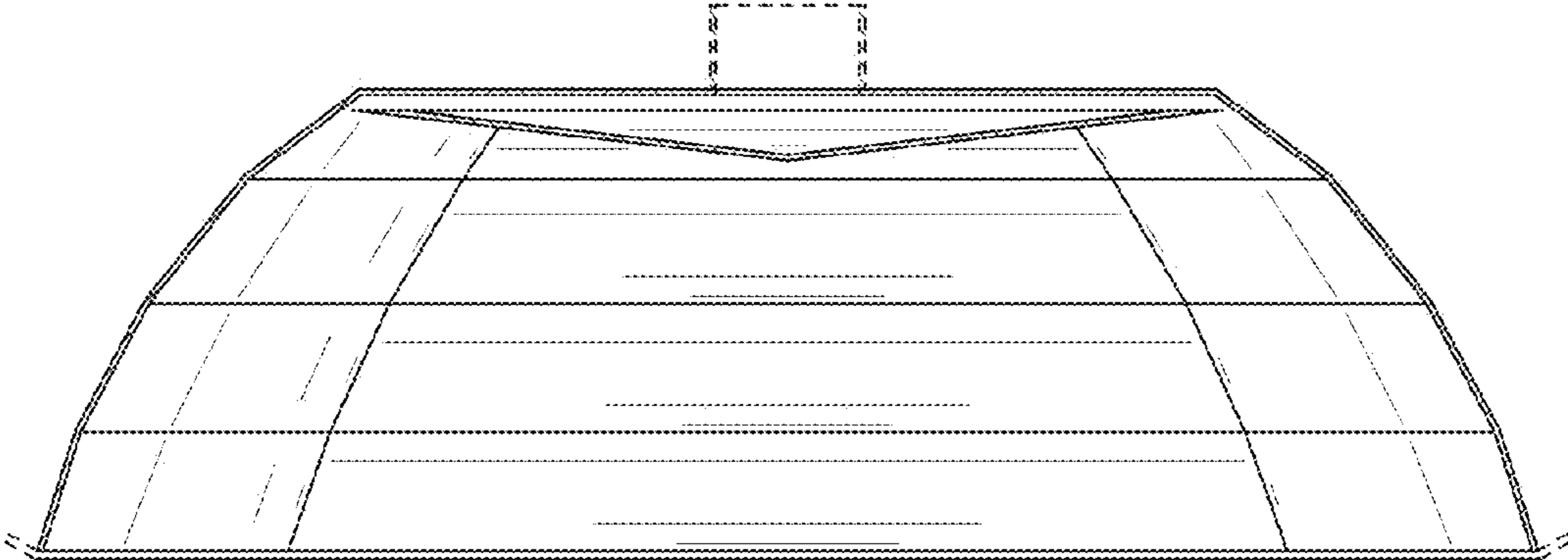


FIG. 7