



US00D749772S

(12) **United States Design Patent**
Kern et al.

(10) **Patent No.:** **US D749,772 S**
(45) **Date of Patent:** **** Feb. 16, 2016**

(54) **LAMP**

(71) Applicant: **Target Brands, Inc.**, Minneapolis, MN (US)

(72) Inventors: **Elizabeth C. Kern**, Minneapolis, MN (US); **Joseph P. Foley**, St. Paul, MN (US); **Joel T. Bodkin**, Minneapolis, MN (US)

(73) Assignee: **Target Brands, Inc.**, Minneapolis, MN (US)

(**) Term: **14 Years**

(21) Appl. No.: **29/479,860**

(22) Filed: **Jan. 21, 2014**

(51) **LOC (10) Cl.** **26-03**

(52) **U.S. Cl.**
USPC **D26/106**

(58) **Field of Classification Search**
USPC D26/24, 93, 106, 138, 141, 142
CPC F21S 6/00; F21S 6/002; F21S 8/043;
F21V 21/02; F21V 21/116; F21W 2131/30
See application file for complete search history.

(56) **References Cited**

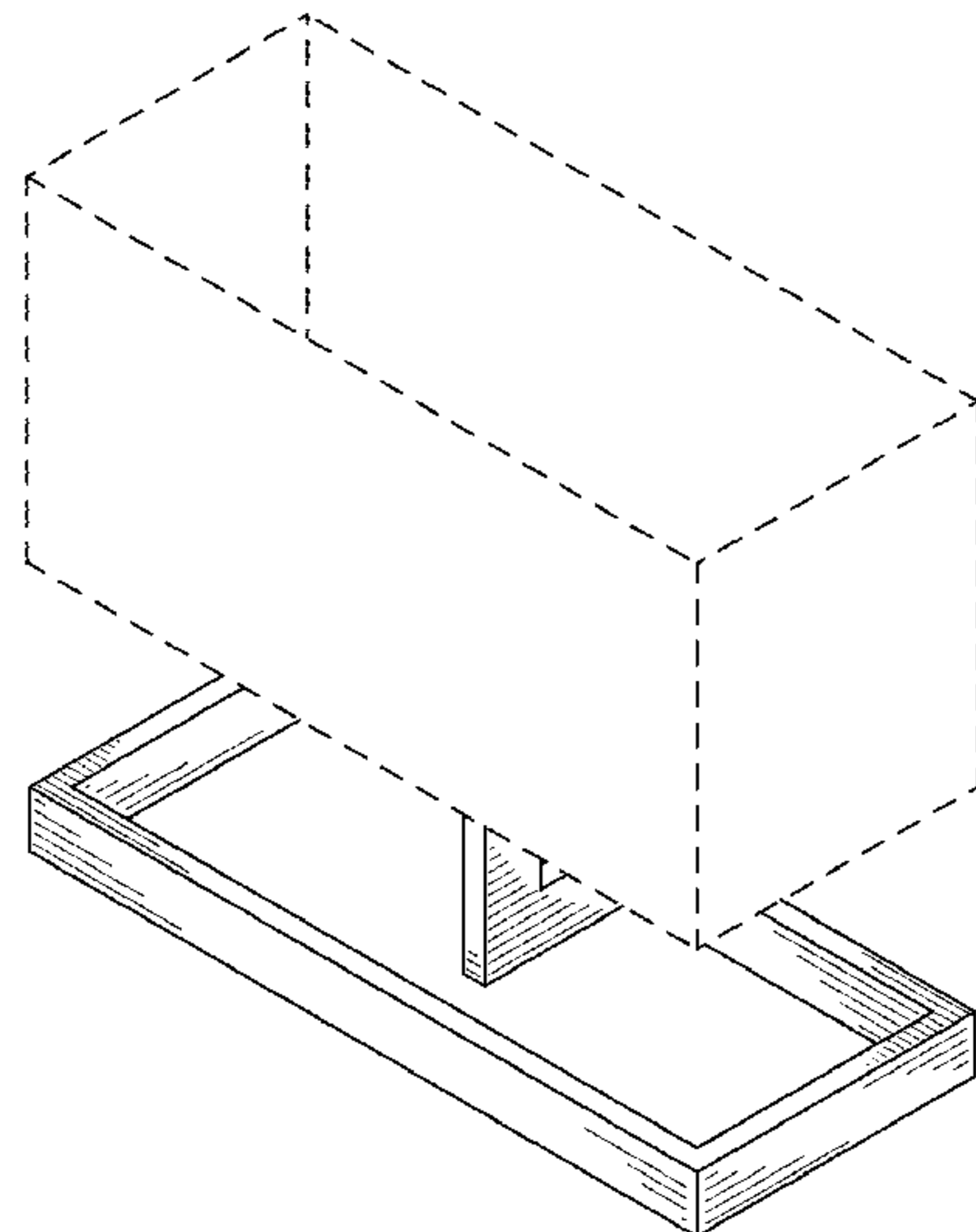
U.S. PATENT DOCUMENTS

D451,627 S *	12/2001	Dolan	D26/106
D553,788 S *	10/2007	Holmes	D26/93
D589,641 S *	3/2009	Sabernig	D26/93
D648,475 S *	11/2011	Heyrman	D26/93
8,291,628 B2	10/2012	Acworth		

OTHER PUBLICATIONS

Office Action from Canadian Patent Application No. 157,708, mailed Dec. 11, 2014 (1 page).

(Continued)



Primary Examiner — Brian N Vinson

(74) *Attorney, Agent, or Firm* — Leanne Taveggia Farrell; Westman, Champlin & Koehler, P.A.

(57) **CLAIM**

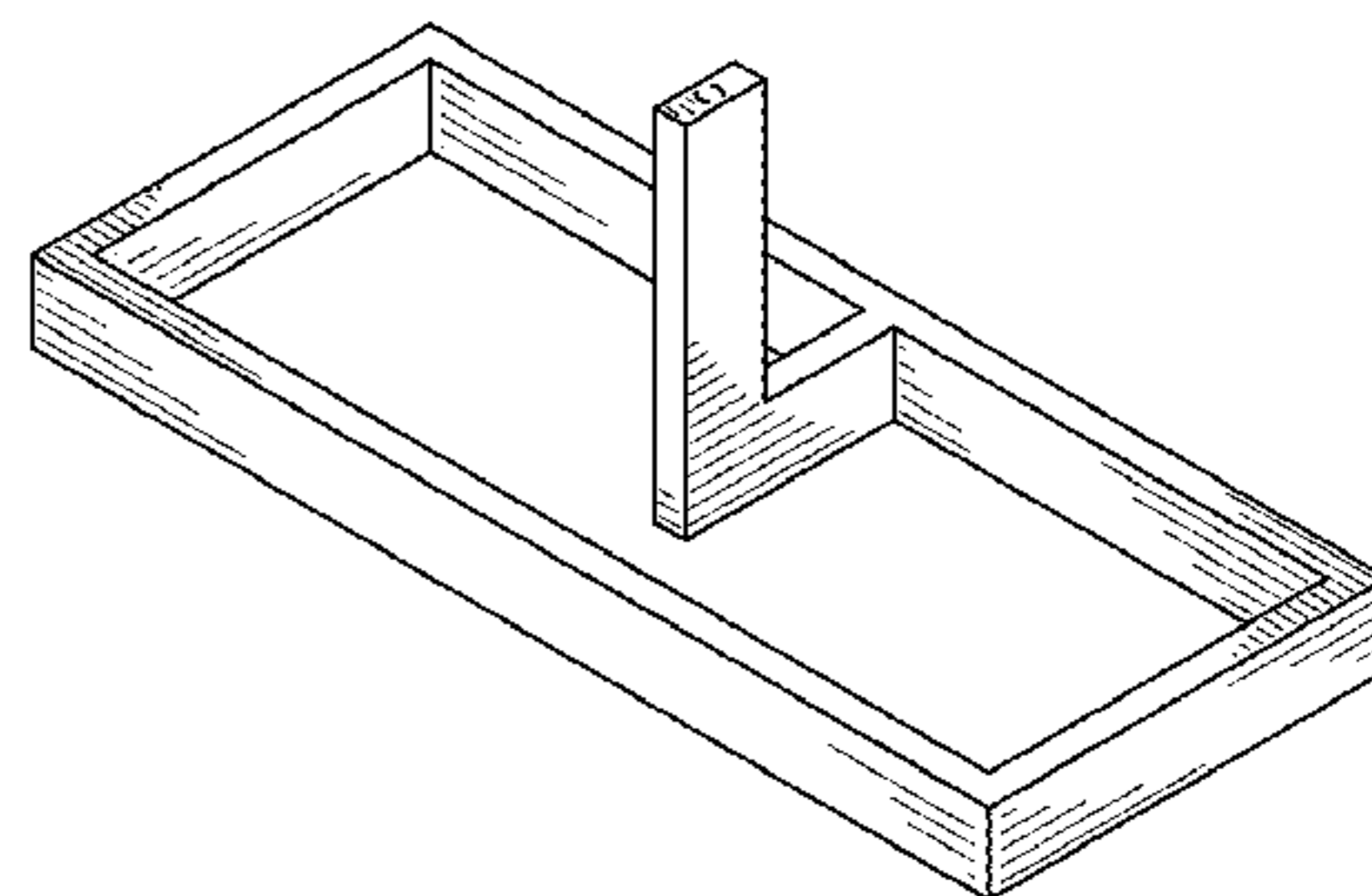
The ornamental design for a lamp, as shown and described.

DESCRIPTION

FIG. 1 is a perspective view of a first embodiment of a lamp with environment showing our new design;
 FIG. 2 is a perspective view thereof without environment;
 FIG. 3 is a front view thereof;
 FIG. 4 is a back view thereof;
 FIG. 5 is a right side view thereof, the opposing left side view being a mirror image;
 FIG. 6 is a top view thereof;
 FIG. 7 is a bottom view thereof;
 FIG. 8 is a perspective view of a second embodiment thereof with environment;
 FIG. 9 is a perspective view of FIG. 8 without environment;
 FIG. 10 is a front view of FIG. 9;
 FIG. 11 is a back view of FIG. 9;
 FIG. 12 is a right side view of FIG. 9, the opposing left side view being a mirror image;
 FIG. 13 is a top view of FIG. 9;
 FIG. 14 is a bottom view of FIG. 9;
 FIG. 15 is a perspective view of a third embodiment thereof;
 FIG. 16 is a front view of FIG. 15;
 FIG. 17 is a back view of FIG. 15;
 FIG. 18 is a right side view of FIG. 15, the opposing left side view being a mirror image;
 FIG. 19 is a top view of FIG. 15; and,
 FIG. 20 is a bottom view of FIG. 15.

The broken lines shown in the drawings are included for purposes of illustrating portions of the lamp and form no part of the claimed design.

1 Claim, 9 Drawing Sheets



(56)

References Cited

OTHER PUBLICATIONS

Bluedot, "Bender Table Lamp," http://www.bludot.com/bender-table-lamp.html?utm_source=Houzz&utm_medium=PPC&utm_campaign=Houzz, at least as early as Jun. 2013, 1 page.

Overstock, "Casa Cortes Nautical Rope Pier Metal Table Lamp," <http://www.overstock.com/Home-Garden/Casa-Cortes-Nautical-Rope-Pier-Metal-Table-Lamp/6748716/product.html>, at least as early as Jun. 2013, 1 page.

UncommonGoods, "Cherry and Raisin Maple Wooden Lamp," <http://www.uncommongoods.com/product/cherry-and-raisin-maple-wooden-lamp>, at least as early as Jun. 2013, 1 page.

Houzz, "Curated Collection: Lamps Bestsellers," <http://www.houzz.com/photos/3054511/Curated-Collection--Lamps-Bestsellers-contemporary-table-lamps-los-angeles>, at least as early as Jun. 2013, 1 page.

Euro Style Lighting, "Jerry Bronze Rectangle Robert Abbey Table Lamp," <http://www.eurostylelighting.com/eu19780.htm>, at least as early as Jun. 2013, 1 page.

Wayfair, "Marset Silo Table Lamp," <http://www.wayfair.co.uk/Marset-Silo-Table-Lamp-A16-RSE1100.html?refid=TDUK1498758>

&tduid=adce0a7f55b3191b845dcbb228bd68f3, at least as early as Jun. 2013, 1 page.

Wayfair, "Sonneman Otto Low Table Lamp," <http://www.wayfair.com/Sonneman-Otto-Low-Table-Lamp-3515.28-SEN1307.html>, at least as early as Jun. 2013, 1 page.

* cited by examiner

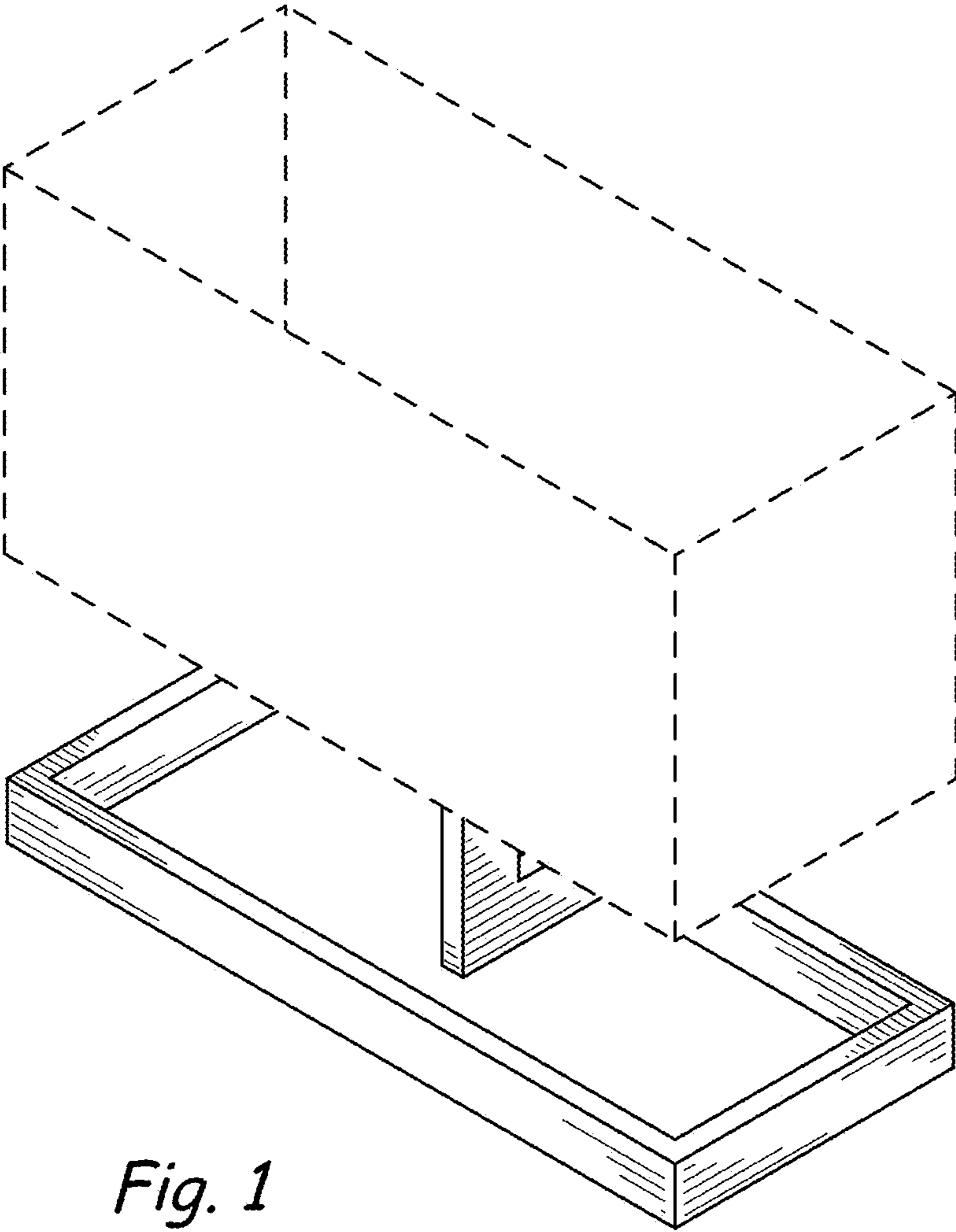


Fig. 1

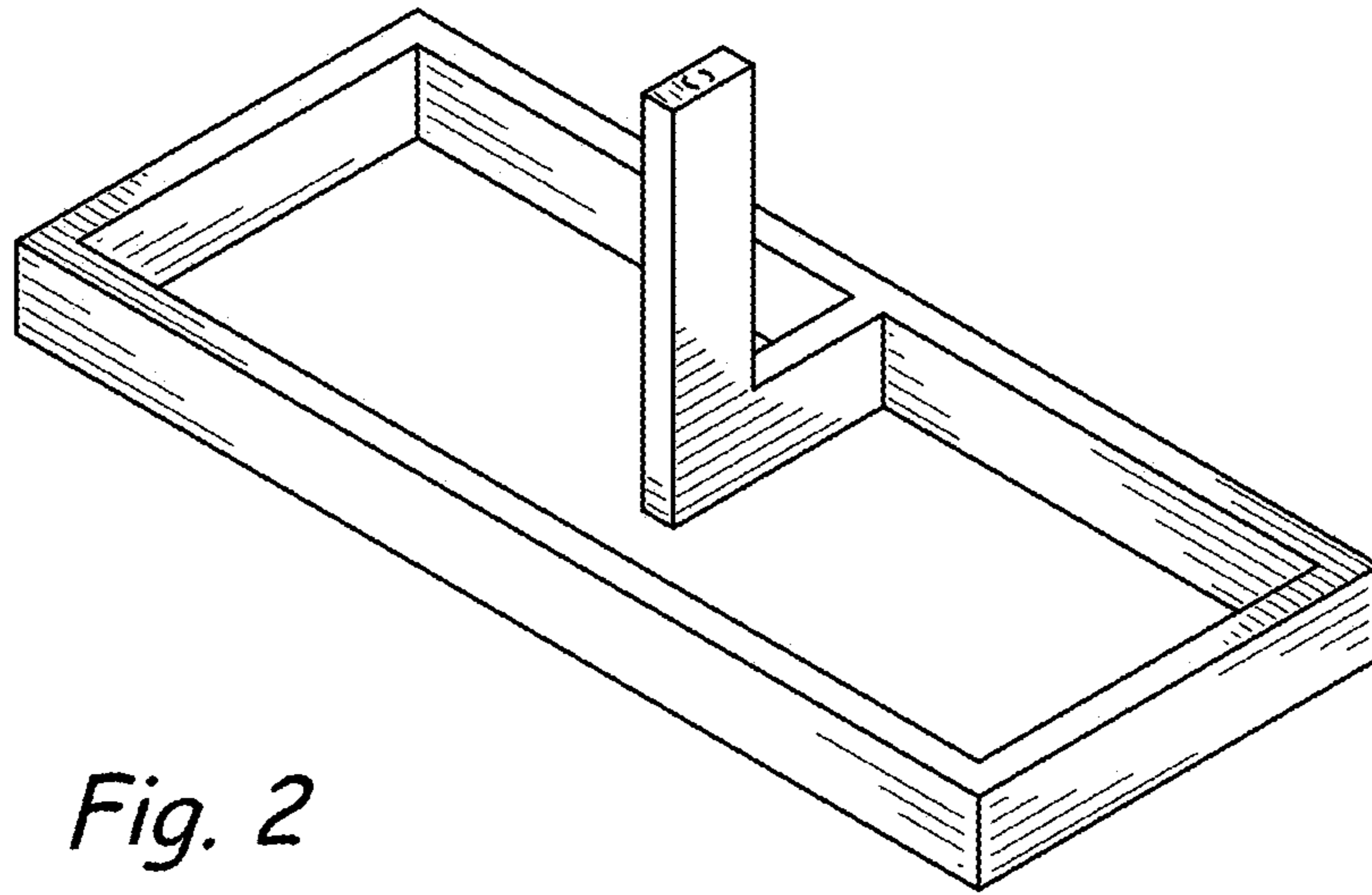


Fig. 2

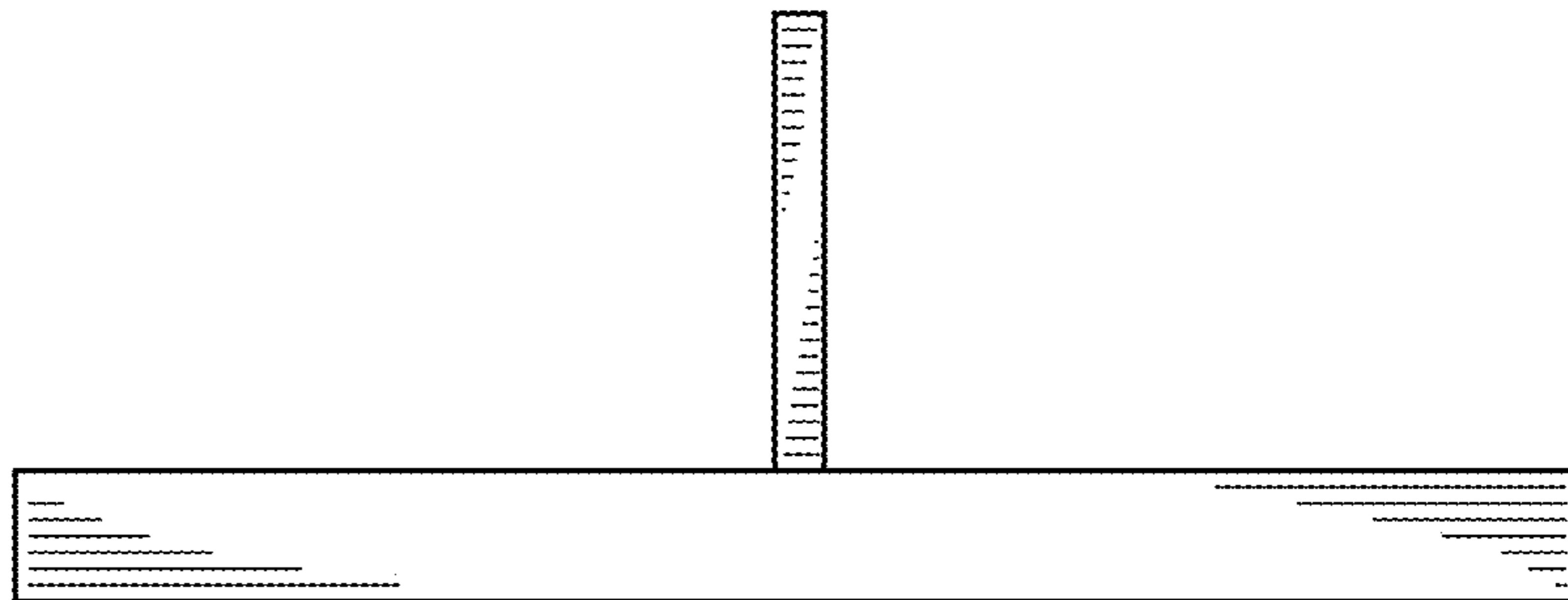


Fig. 3

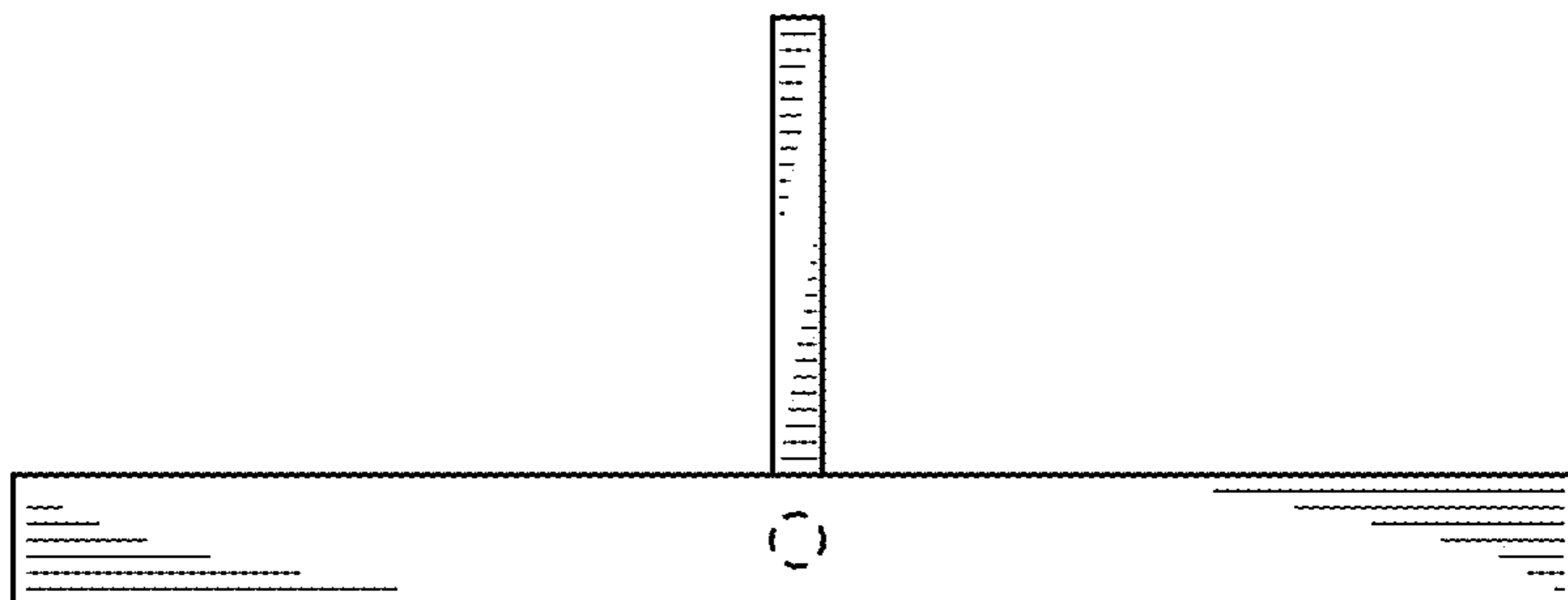


Fig. 4

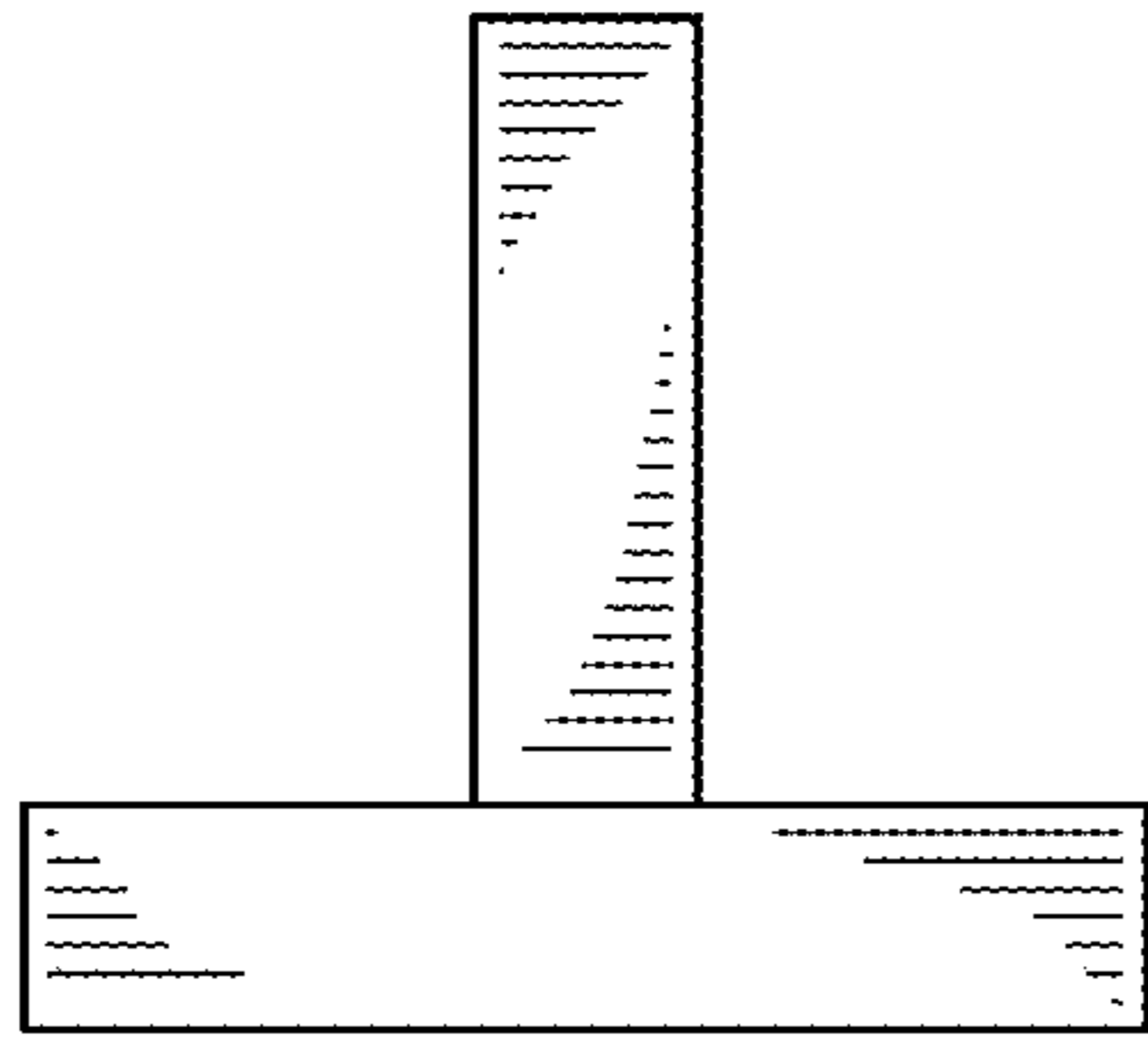


Fig. 5

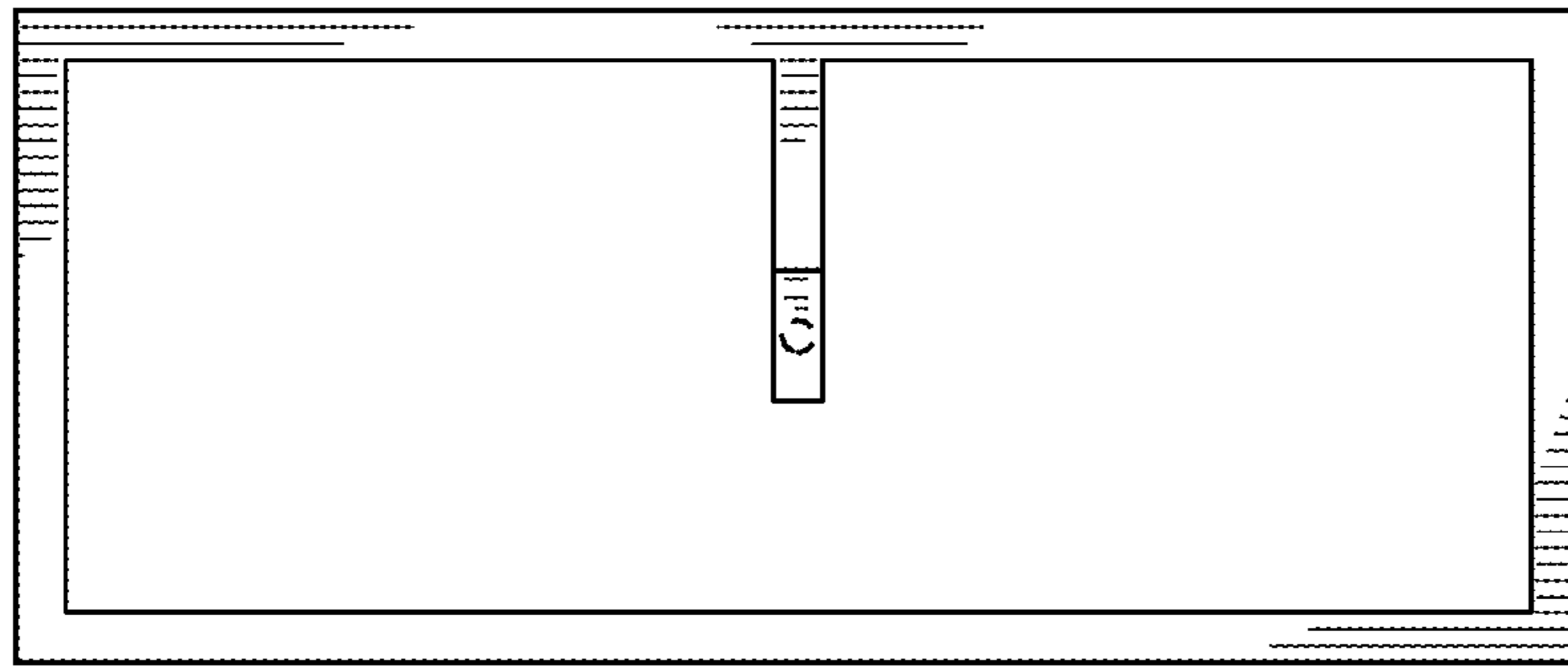


Fig. 6

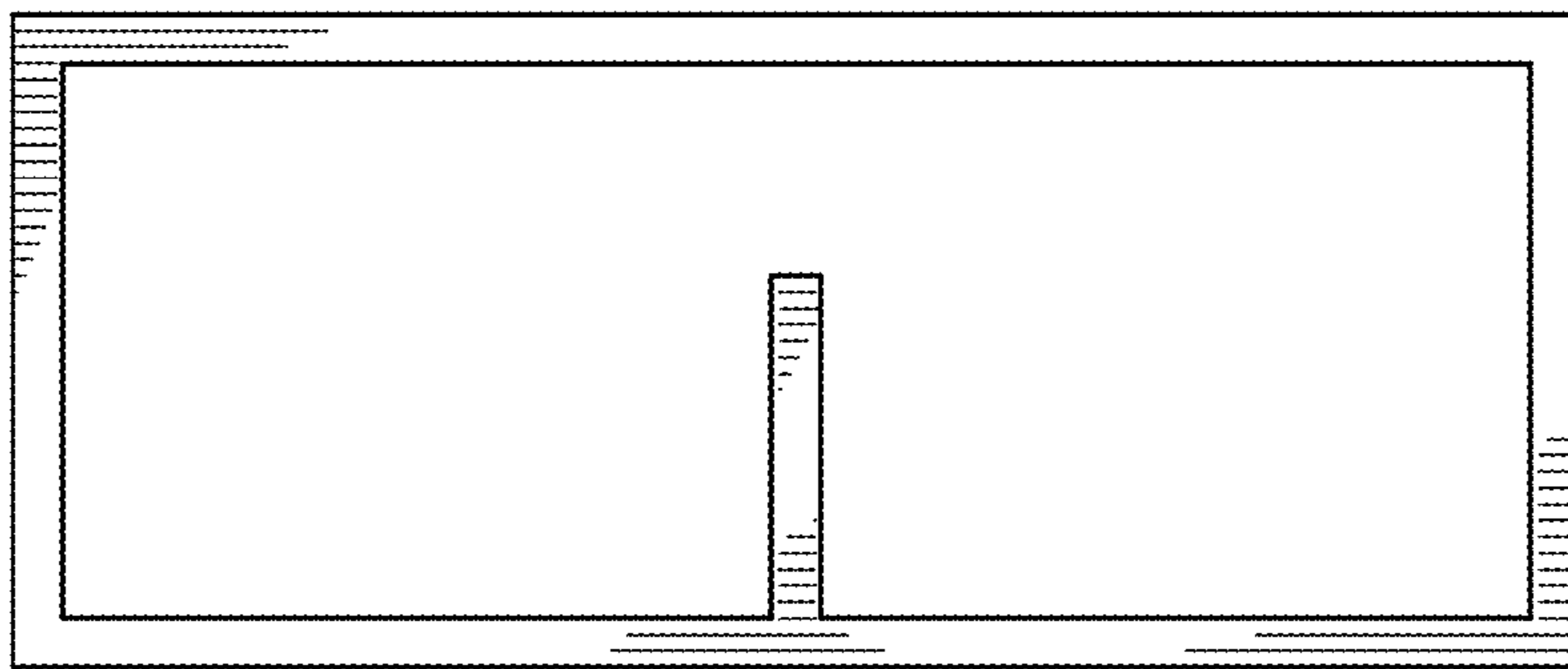


Fig. 7

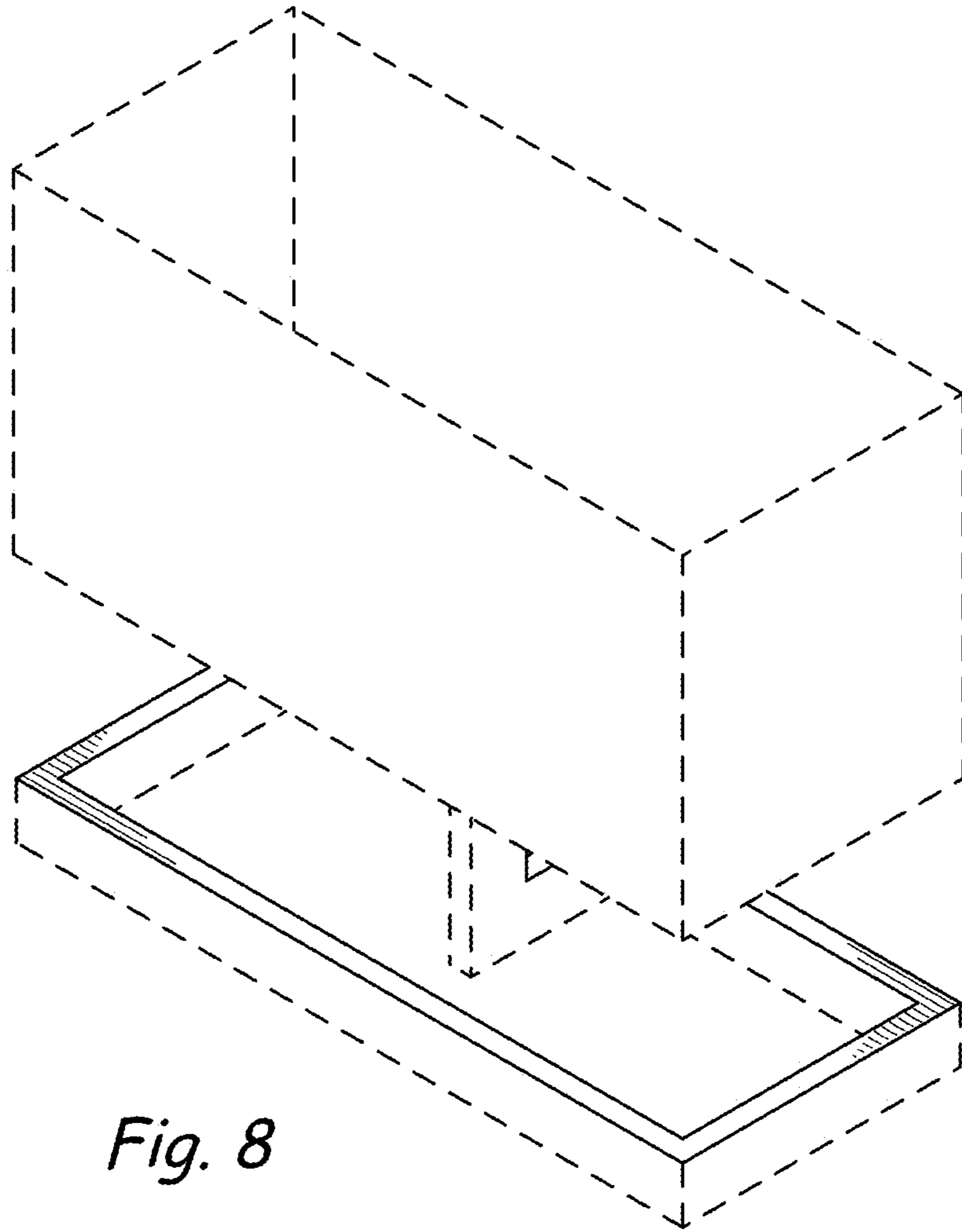


Fig. 8

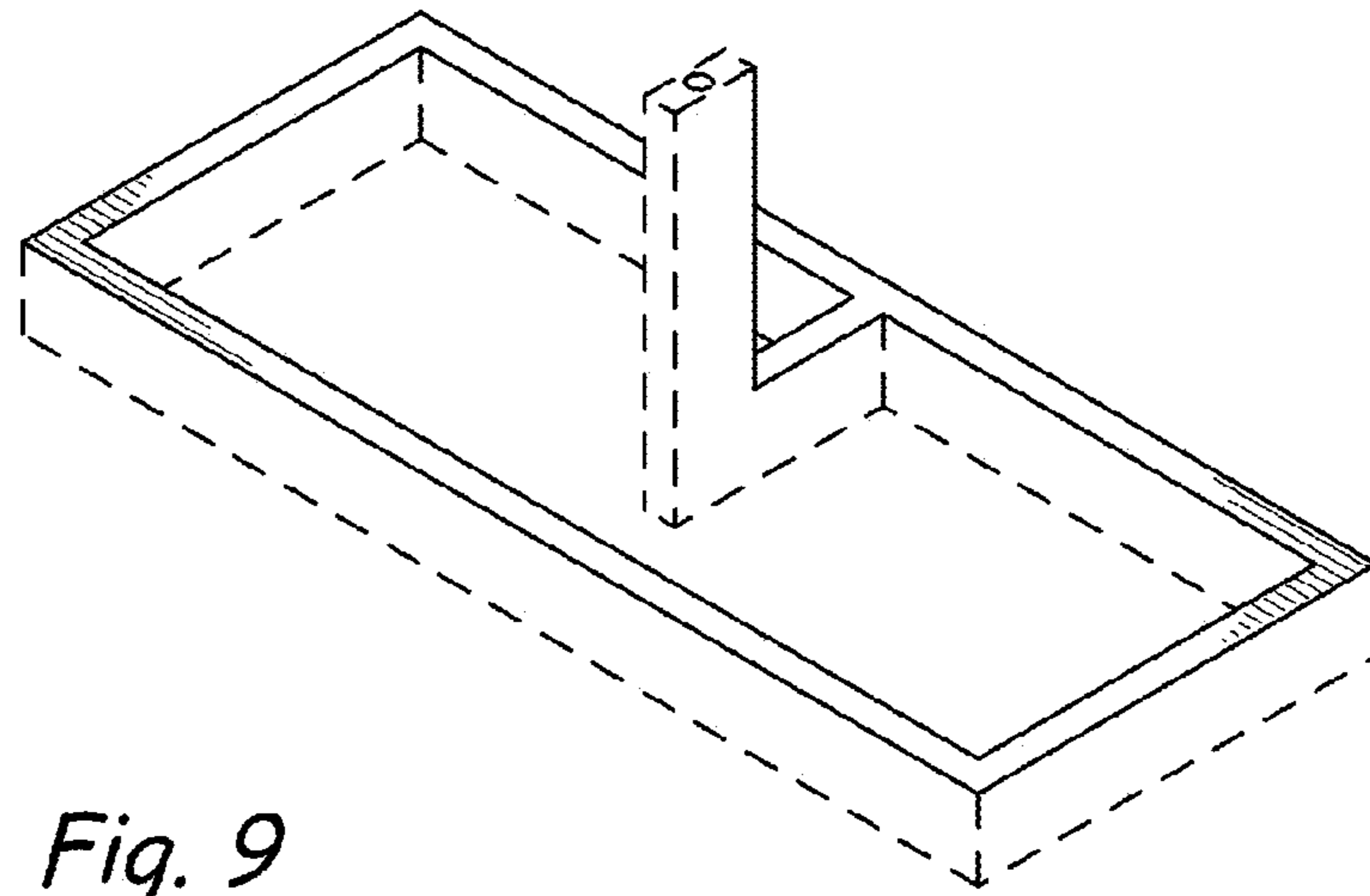


Fig. 9

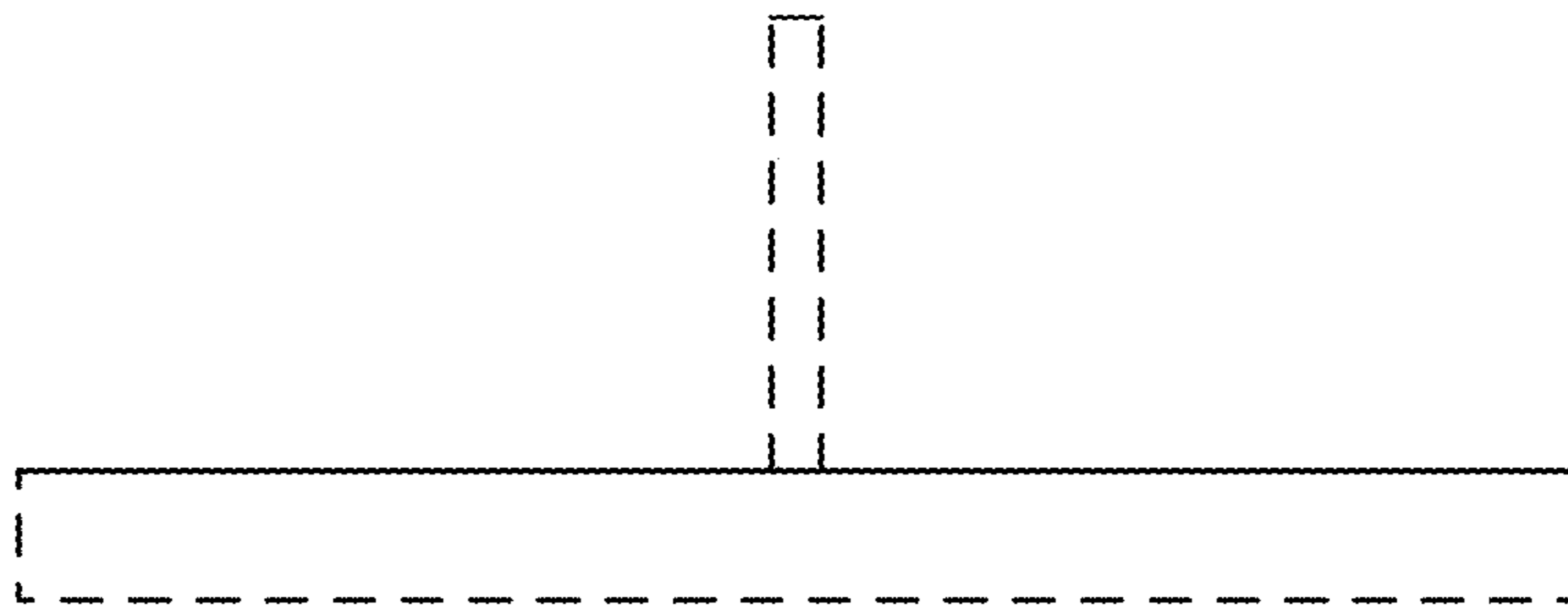


Fig. 10

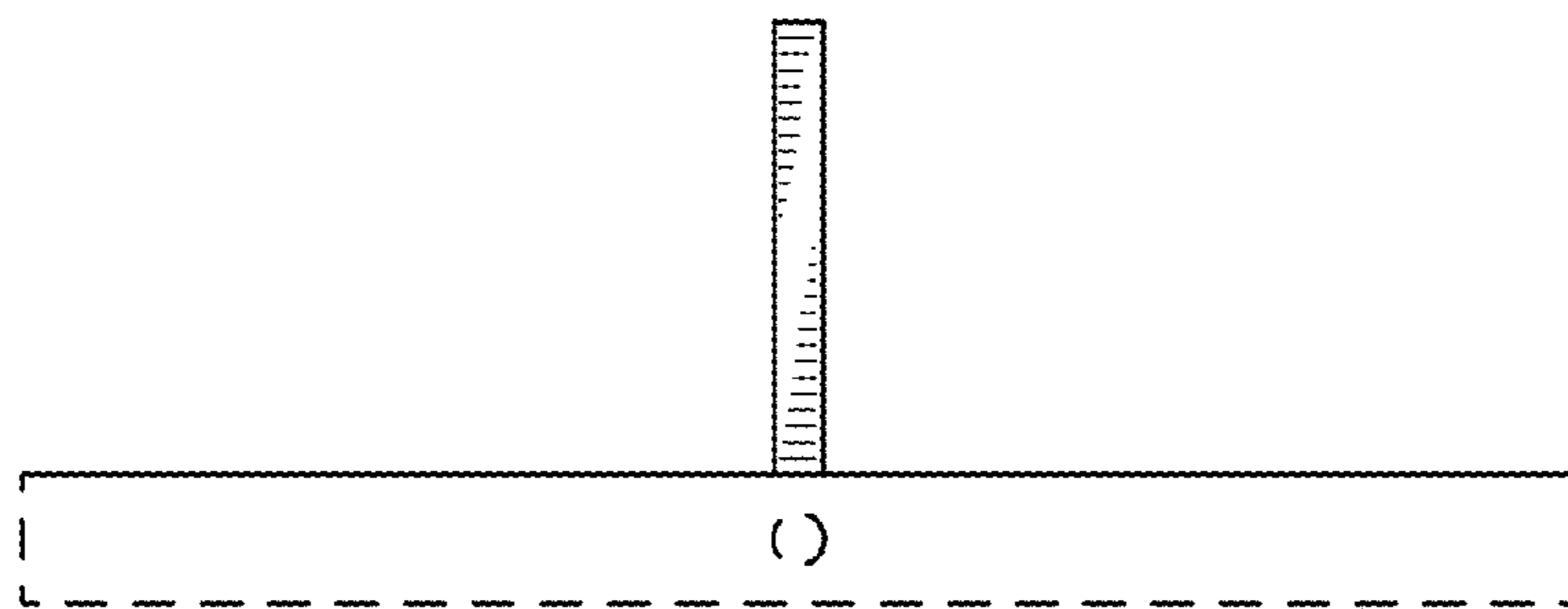


Fig. 11

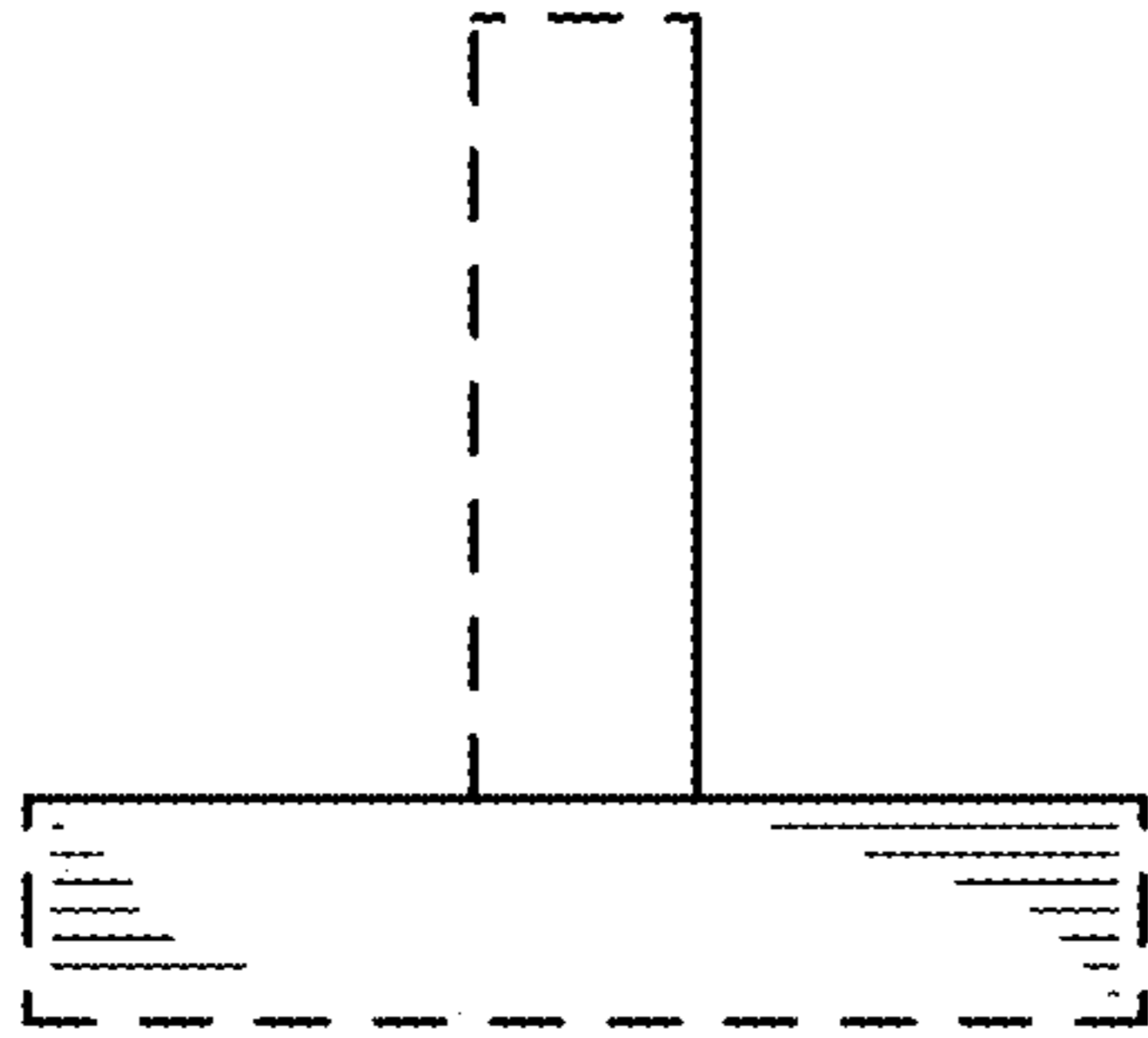


Fig. 12

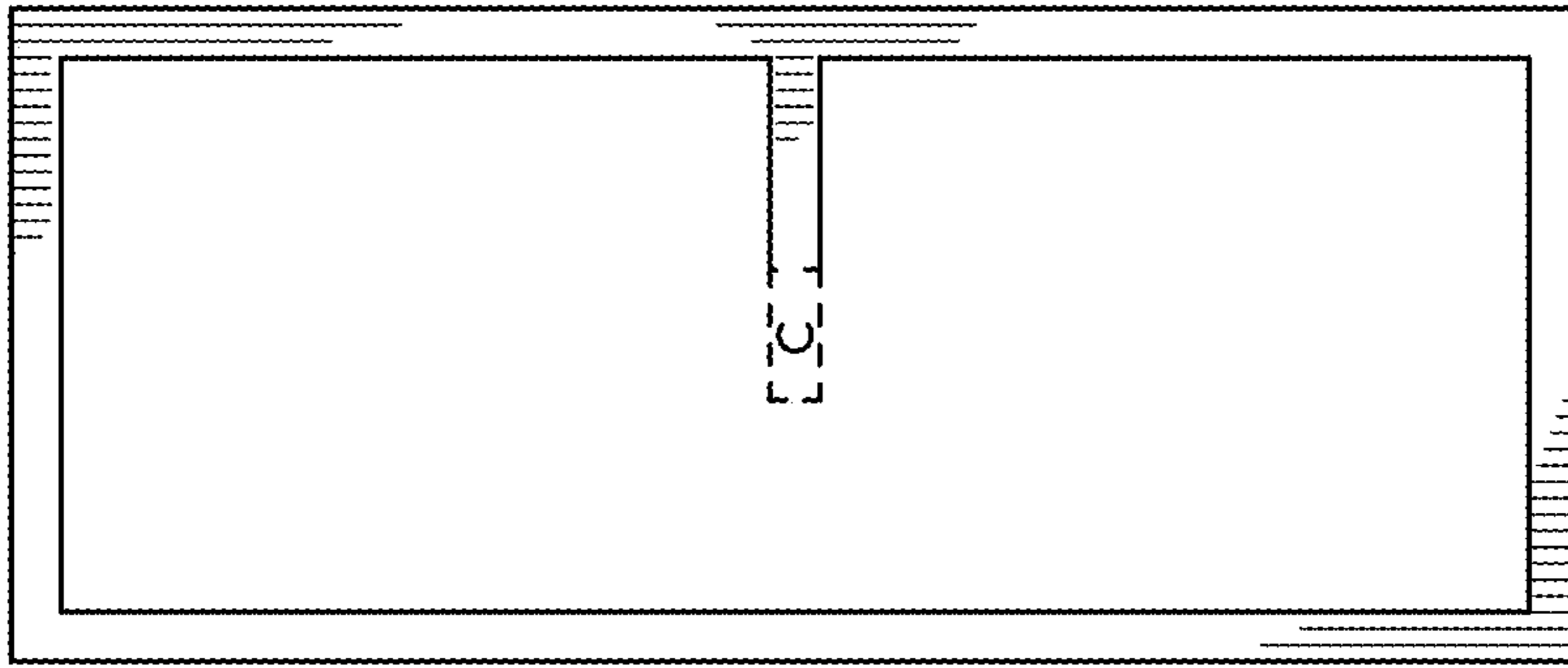


Fig. 13

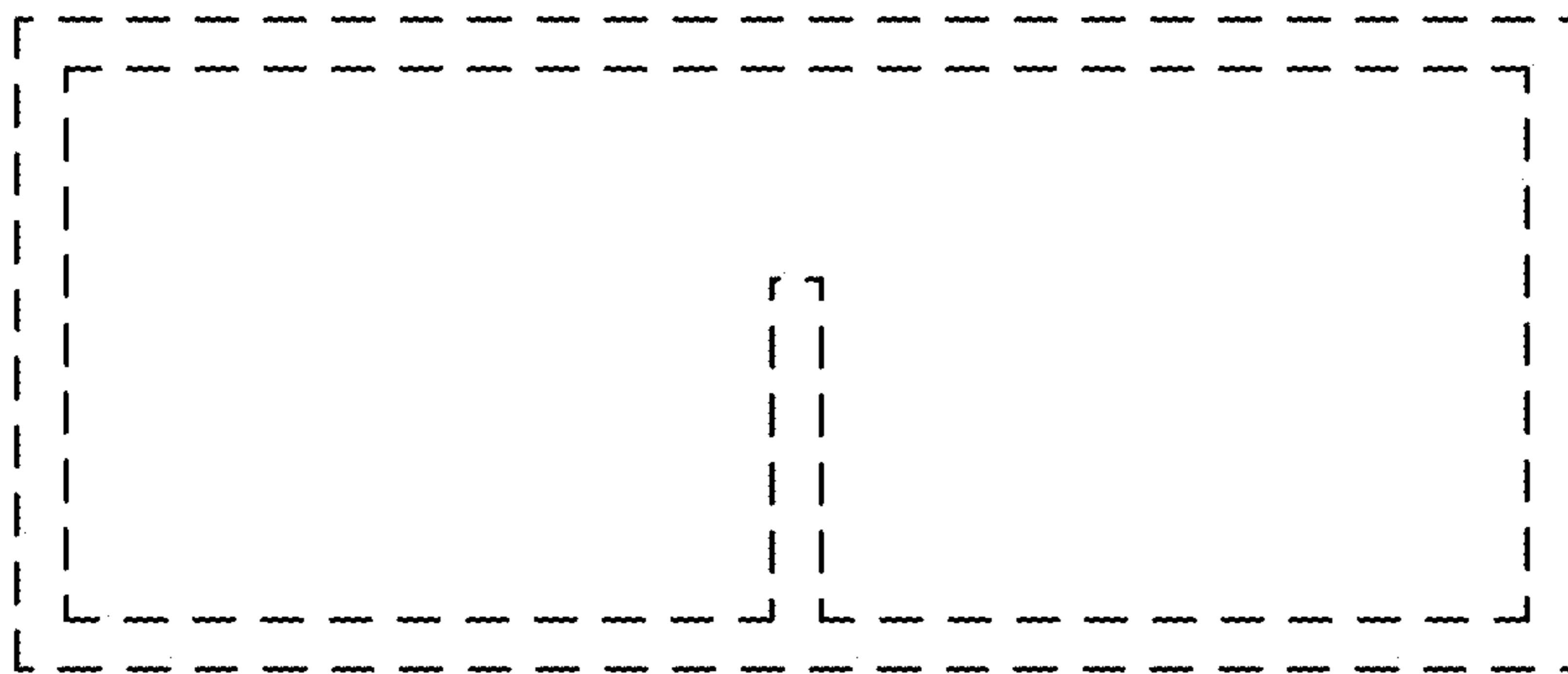


Fig. 14

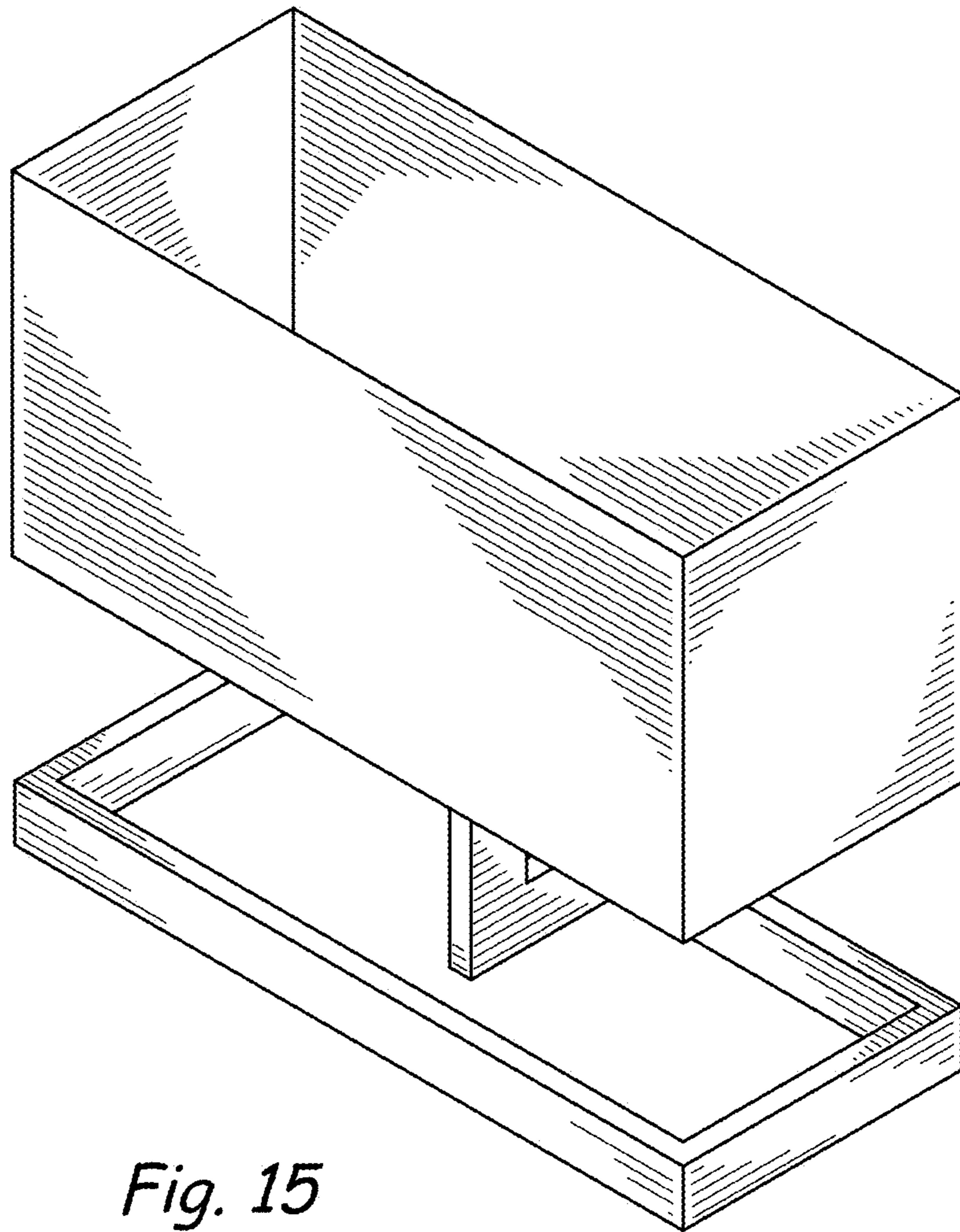


Fig. 15

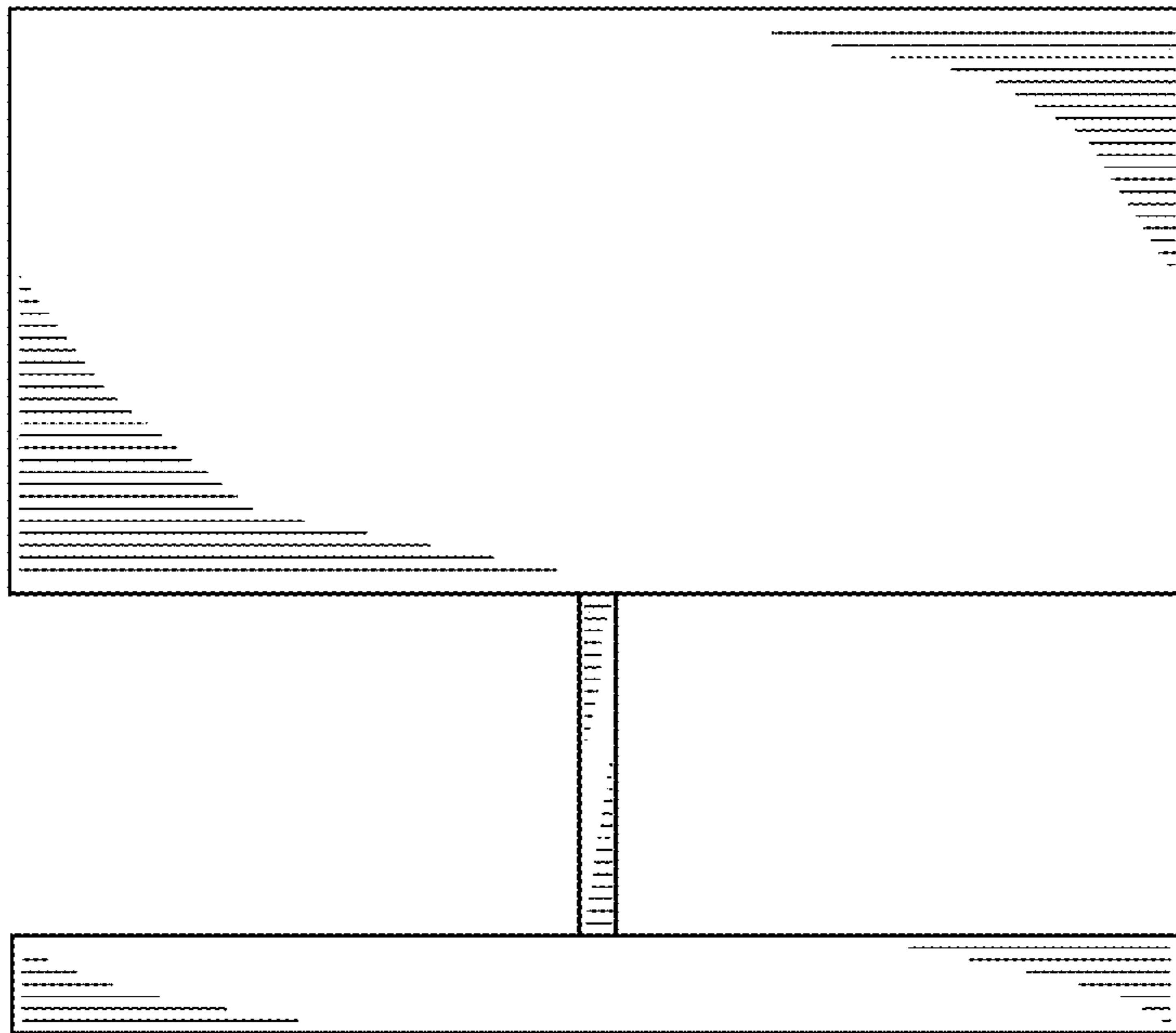


Fig. 16

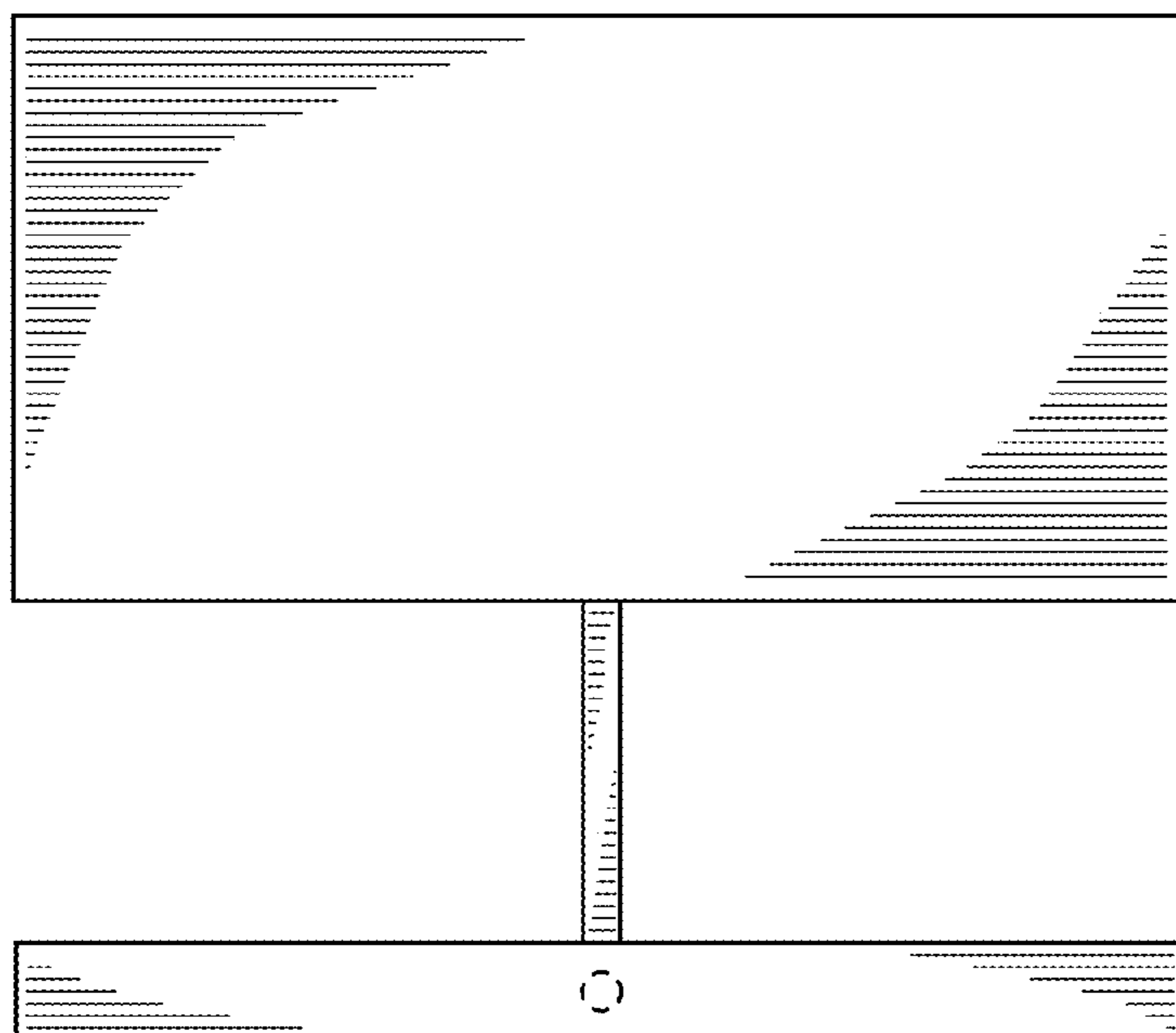


Fig. 17

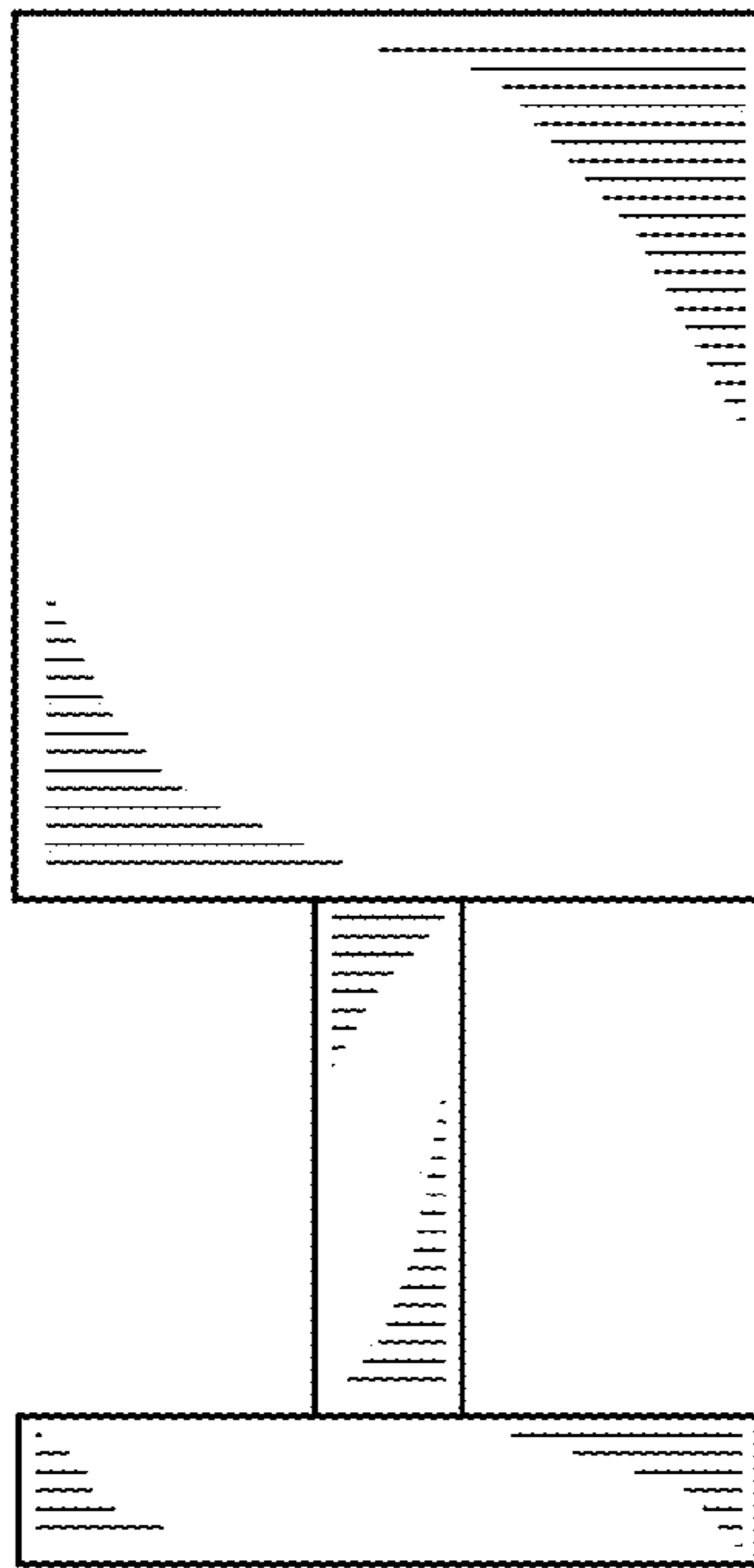


Fig. 18

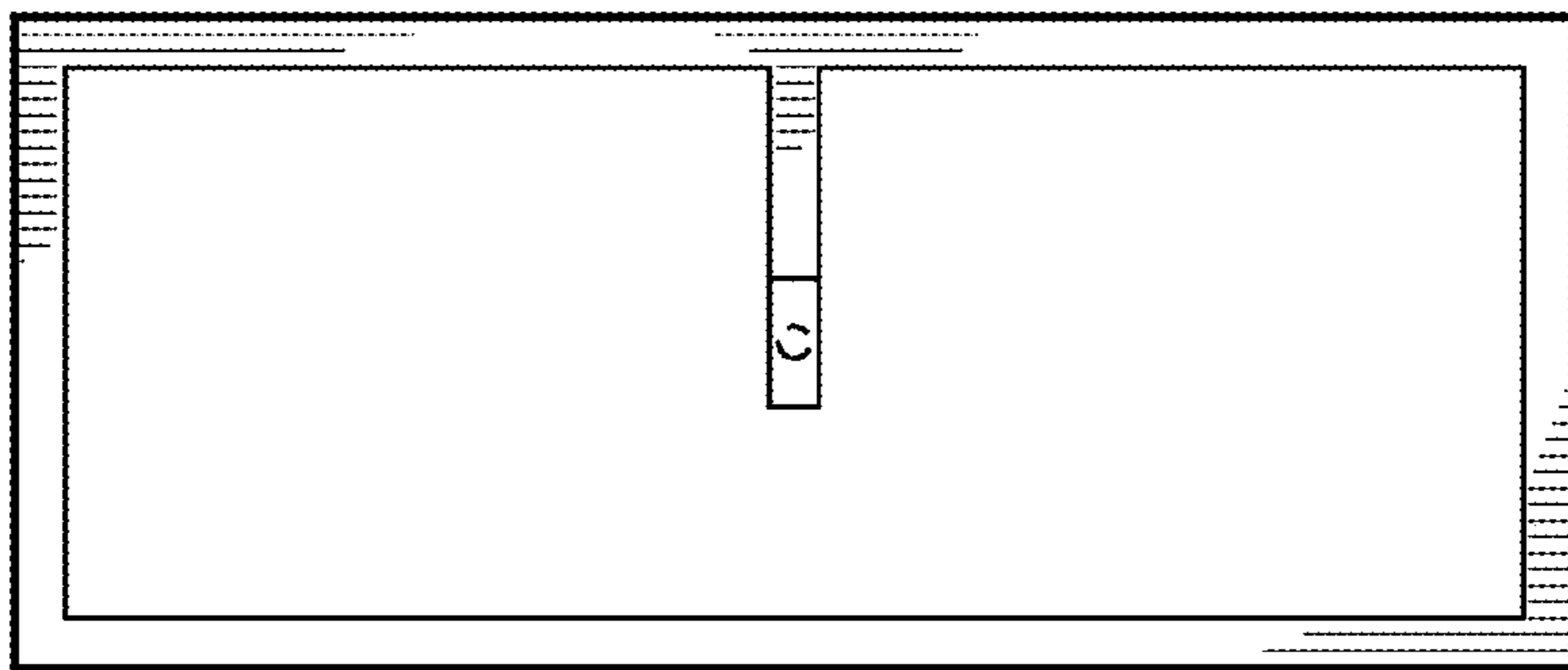


Fig. 19

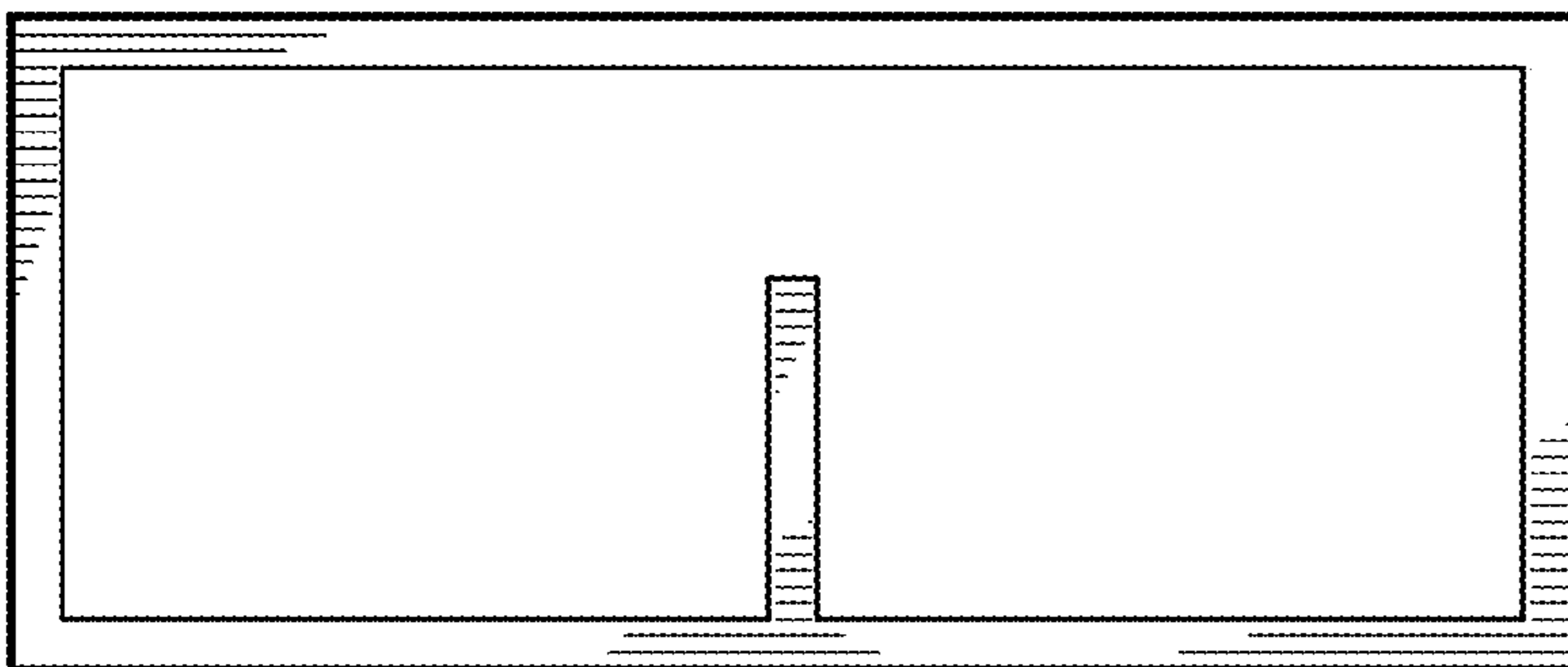


Fig. 20