



US00D749771S

(12) **United States Design Patent**
Kern et al.

(10) **Patent No.:** **US D749,771 S**

(45) **Date of Patent:** **** Feb. 16, 2016**

(54) **LAMP BASE**

(71) Applicant: **Target Brands, Inc.**, Minneapolis, MN
(US)

(72) Inventors: **Elizabeth C. Kern**, Minneapolis, MN
(US); **Joseph P. Foley**, St. Paul, MN
(US); **Joel T. Bodkin**, Minneapolis, MN
(US)

(73) Assignee: **Target Brands, Inc.**, Minneapolis, MN
(US)

(**) Term: **14 Years**

(21) Appl. No.: **29/479,858**

(22) Filed: **Jan. 21, 2014**

(51) **LOC (10) Cl.** **26-03**

(52) **U.S. Cl.**
USPC **D26/106**

(58) **Field of Classification Search**
USPC D26/24, 93, 106, 138, 141, 142
CPC F21S 6/00; F21S 6/002; F21S 8/043;
F21V 21/02; F21V 21/116; F21W 2131/30
See application file for complete search history.

(56) **References Cited**

U.S. PATENT DOCUMENTS

D451,627 S *	12/2001	Dolan	D26/106
D553,788 S *	10/2007	Holmes	D26/93
D589,641 S *	3/2009	Sabernig	D26/93
D648,475 S *	11/2011	Heyrman	D26/93
8,291,628 B2	10/2012	Acworth		

OTHER PUBLICATIONS

Bluedot, "Bender Table Lamp," http://www.bluedot.com/bender-table-lamp.html?utm_source=Houzz&utm_medium=PPC&utm_campaign=Houzz, at least as early as Jun. 2013, 1 page.

Overstock, "Casa Cortes Nautical Rope Pier Metal Table Lamp," <http://www.overstock.com/Home-Garden/Casa-Cortes-Nautical-Rope-Pier-Metal-Table-Lamp/6748716/product.html>, at least as early as Jun. 2013, 1 page.

UncommonGoods, "Cherry and Raisin Maple Wooden Lamp," <http://www.uncommongoods.com/product/cherry-and-raisin-maple-wooden-lamp>, at least as early as Jun. 2013, 1 page.

Houzz, "Curated Collection: Lamps Bestsellers," <http://www.houzz.com/photos/3054511/Curated-Collection--Lamps-Bestsellers-contemporary-table-lamps-los-angeles>, at least as early as Jun. 2013, 1 page.

(Continued)

Primary Examiner — Brian N Vinson

(74) *Attorney, Agent, or Firm* — Leanne Taveggia Farrell; Westman, Champlin & Koehler, P.A.

(57) **CLAIM**

The ornamental design for a lamp base, as shown and described.

DESCRIPTION

FIGS. 1 and 2 are perspective views of a lamp base, showing our new design;

FIG. 3 is a front view thereof;

FIG. 4 is a back view thereof;

FIG. 5 is a right side view thereof, the opposing left side view being a mirror image;

FIG. 6 is a top view thereof;

FIG. 7 is a bottom view thereof;

FIGS. 8 and 9 are perspective views of a second embodiment thereof;

FIG. 10 is a front view of FIG. 9;

FIG. 11 is a back view of FIG. 9;

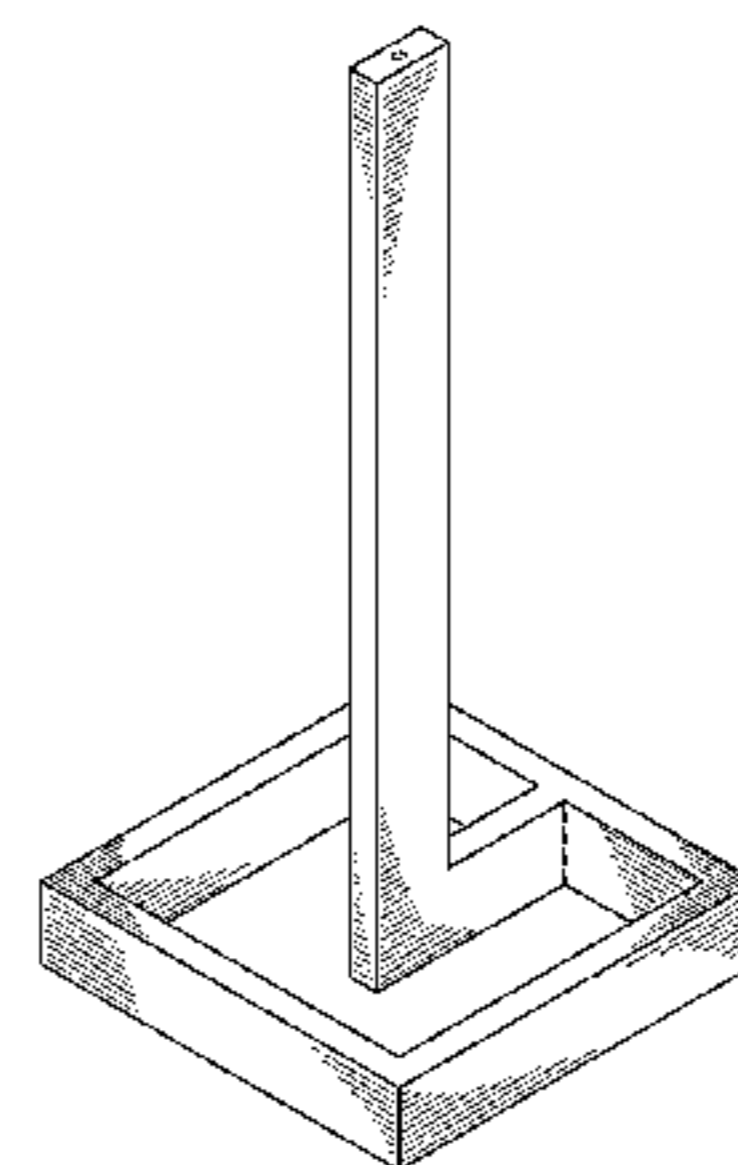
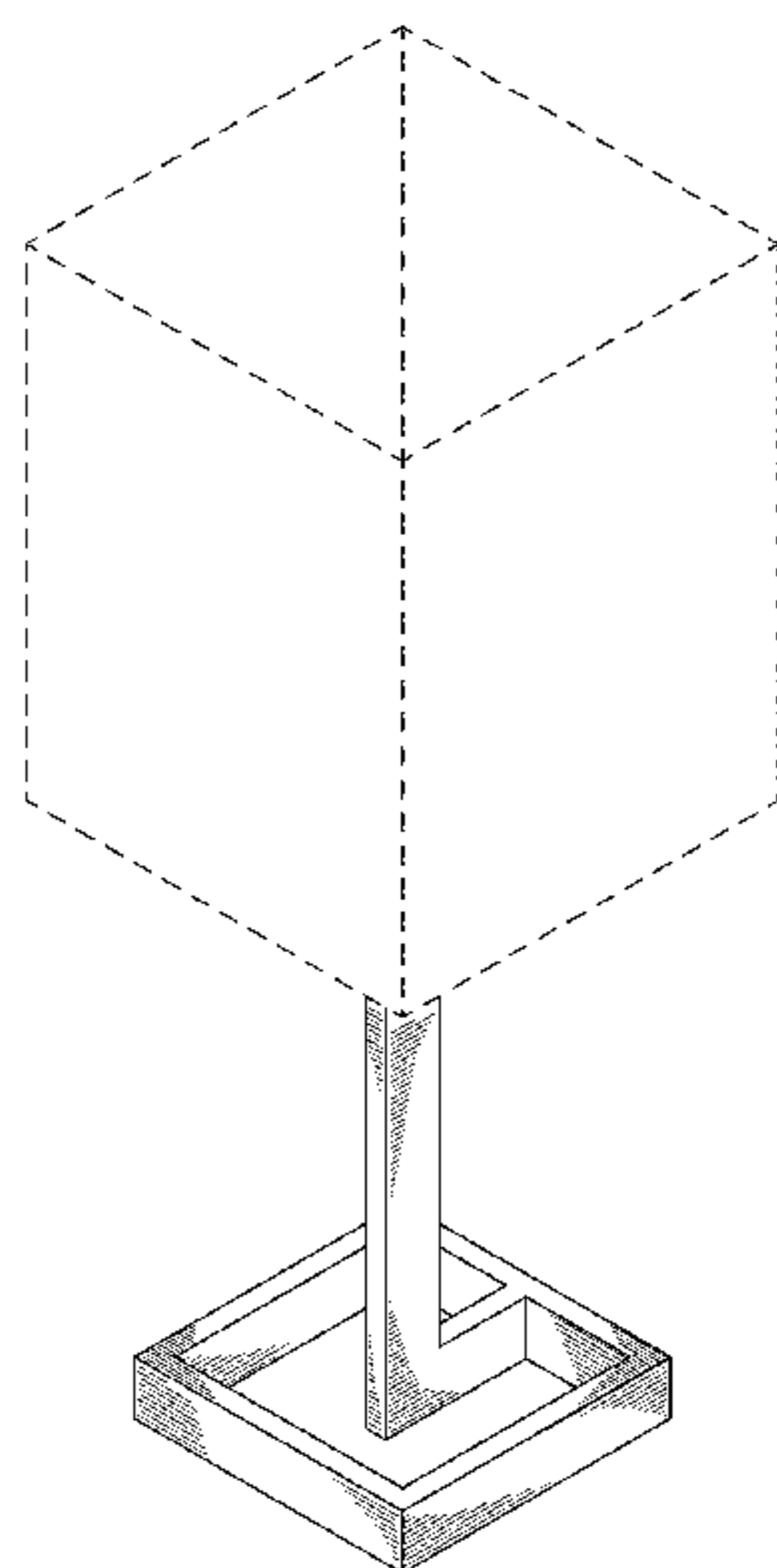
FIG. 12 is a right side view of FIG. 9, the opposing left side view being a mirror image;

FIG. 13 is a top view of FIG. 9; and,

FIG. 14 is a bottom view of FIG. 9.

The broken lines shown in the drawings are included for purposes of illustrating environment or portions of the lamp base and form no part of the claimed design.

1 Claim, 6 Drawing Sheets



(56)

References Cited

OTHER PUBLICATIONS

Euro Style Lighting, "Jerry Bronze Rectangle Robert Abbey Table Lamp," <http://www.eurostylelighting.com/eu19780.htm>, at least as early as Jun. 2013, 1 page.

Wayfair, "Marset Silo Table Lamp," <http://www.wayfair.co.uk/Marset-Silo-Table-Lamp-A16-RSE1100.html?refid=TDUK1498758>

&tduid=adce0a7f55b3191b845dcb228bd68f3, at least as early as Jun. 2013, 1 page.

Wayfair, "Sonneman Otto Low Table Lamp," <http://www.wayfair.com/Sonneman-Otto-Low-Table-Lamp-3515.28-SEN1307.html>, at least as early as Jun. 2013, 1 page.

Office Action from Canadian Patent Application No. 155885, mailed Oct. 4, 2014 (2 pages).

* cited by examiner

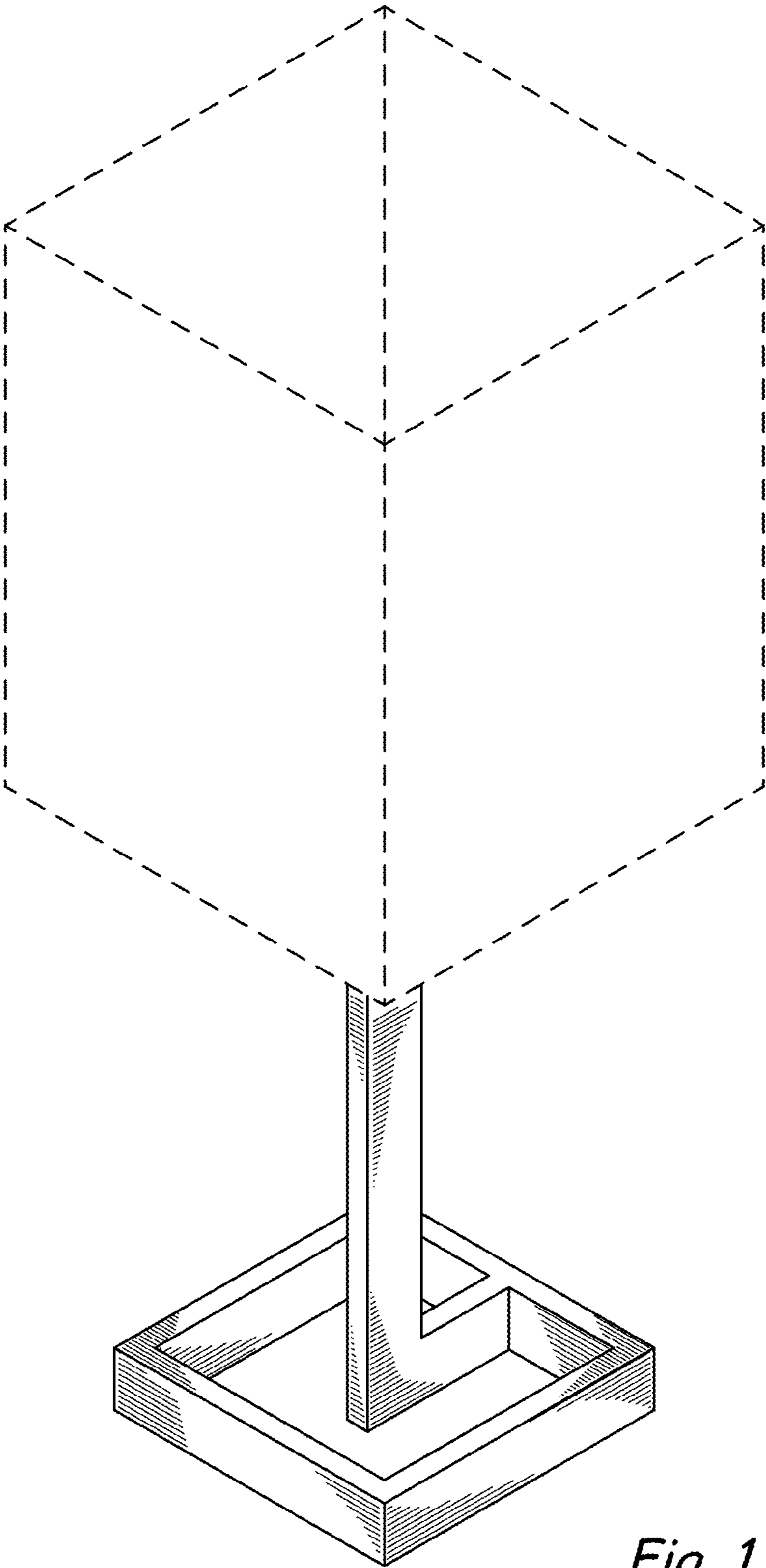


Fig. 1

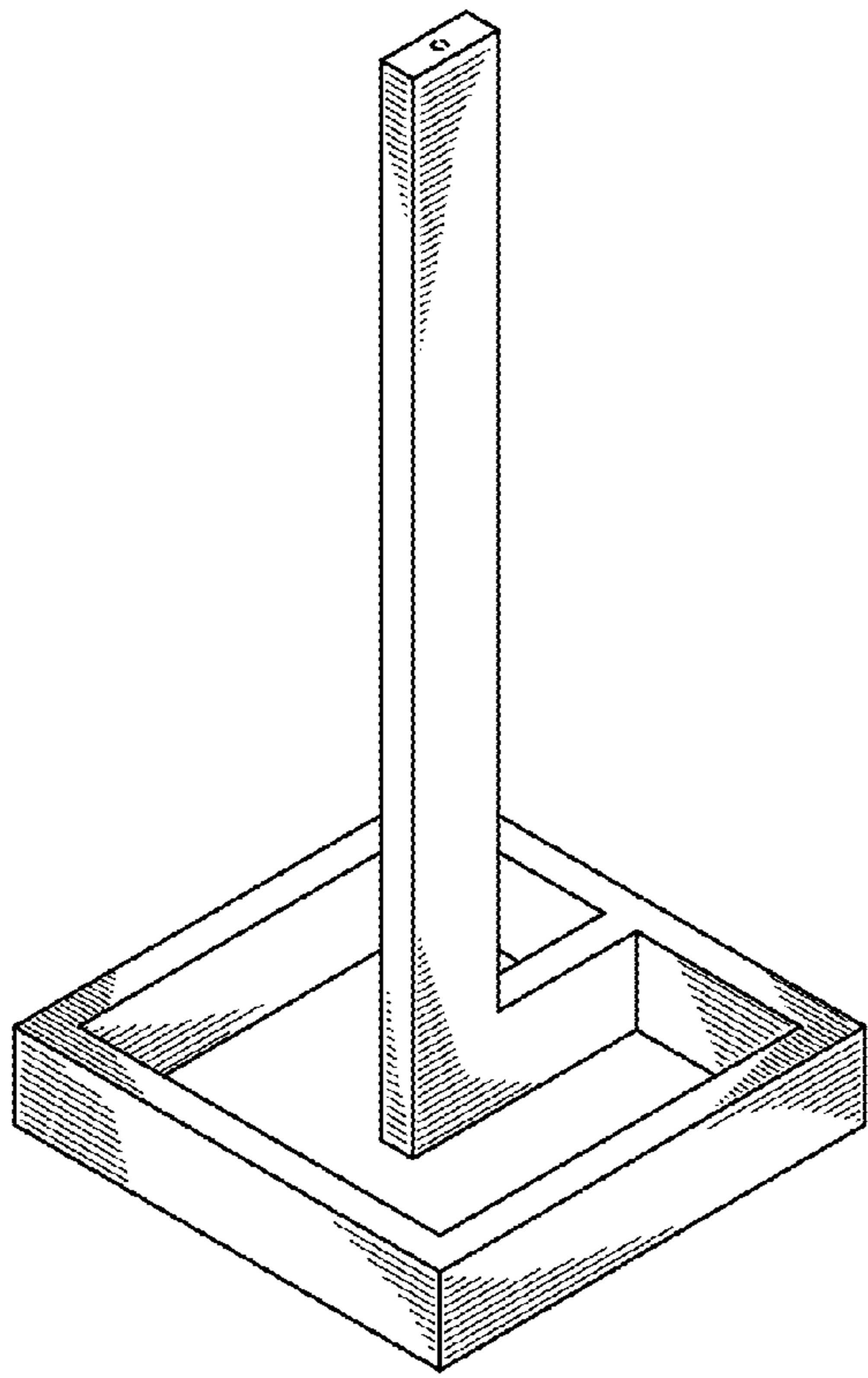


Fig. 2

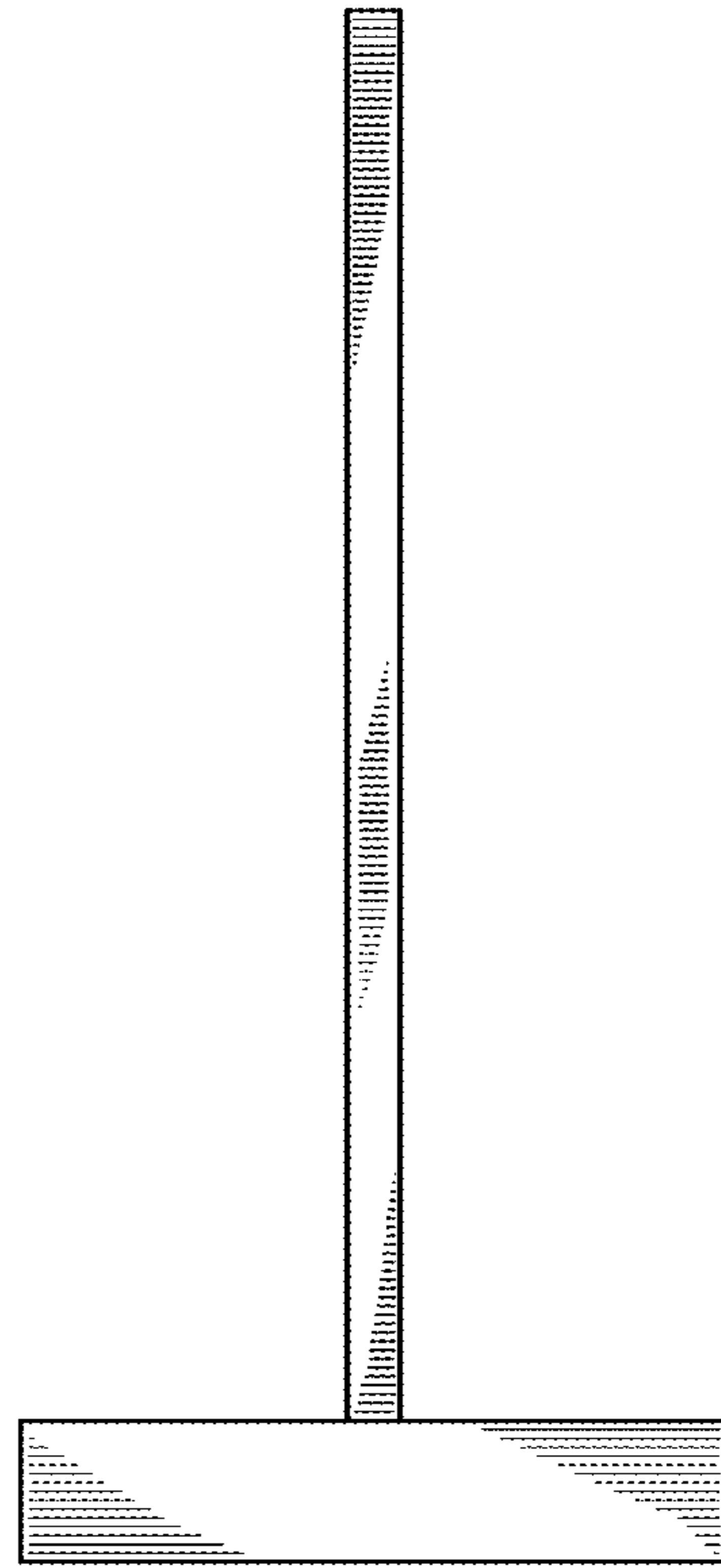


Fig. 3

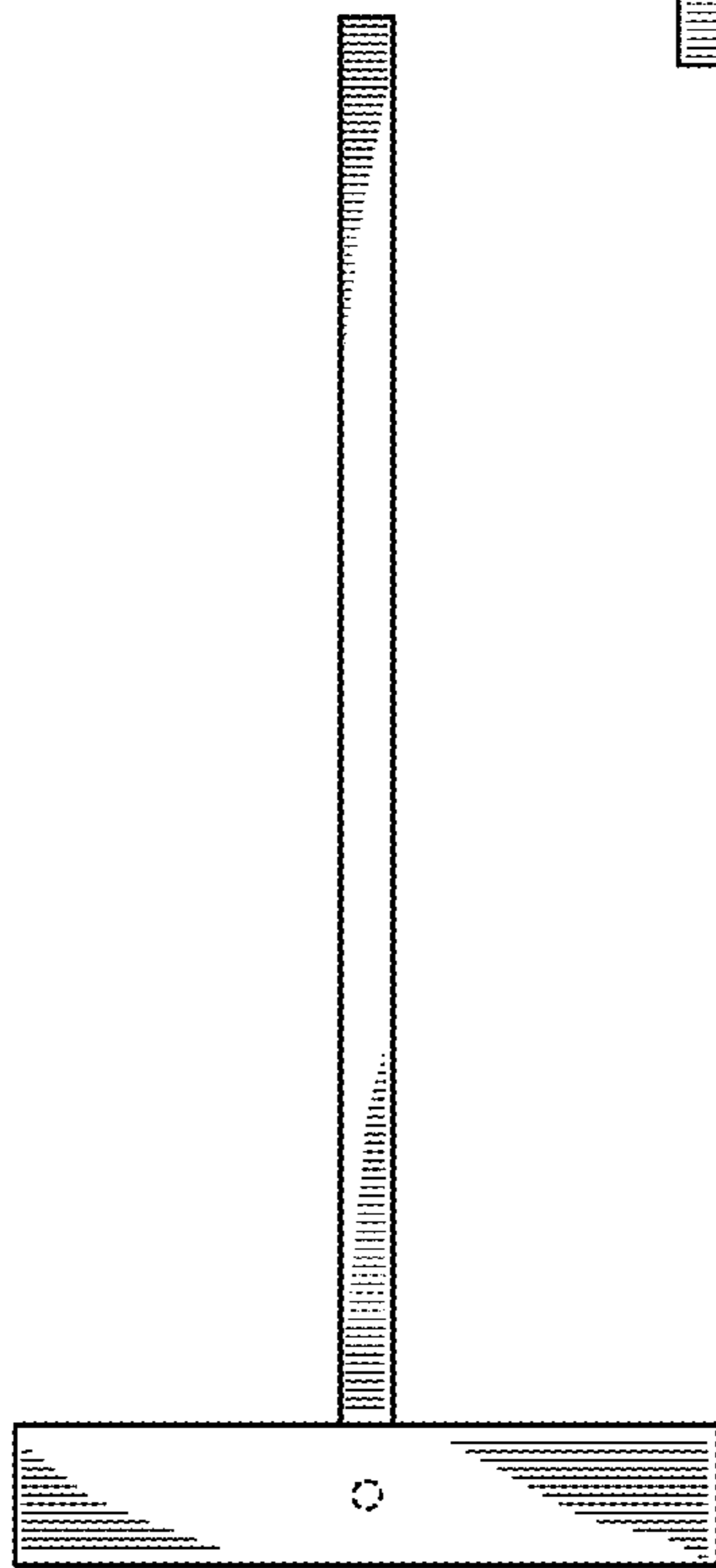


Fig. 4

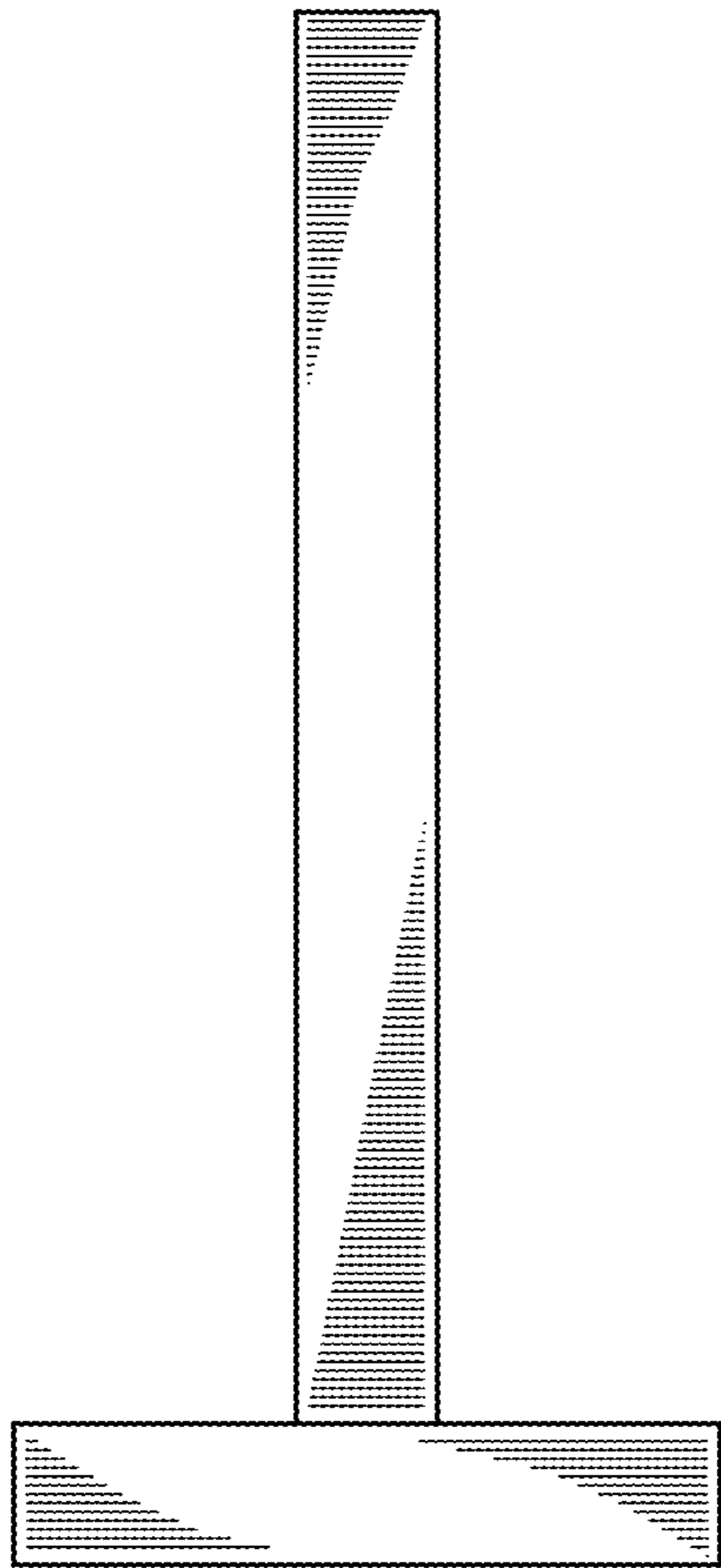


Fig. 5

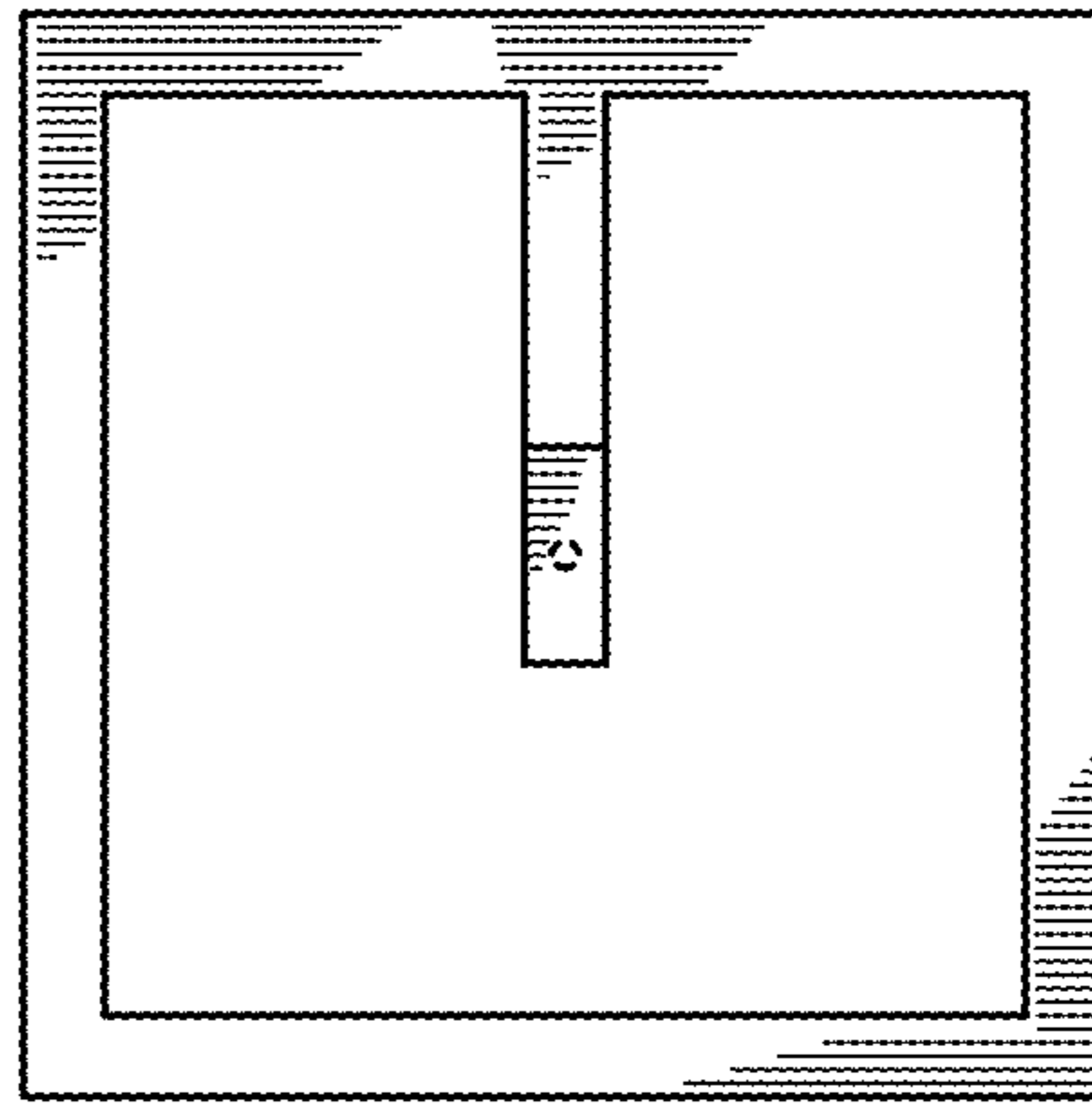


Fig. 6

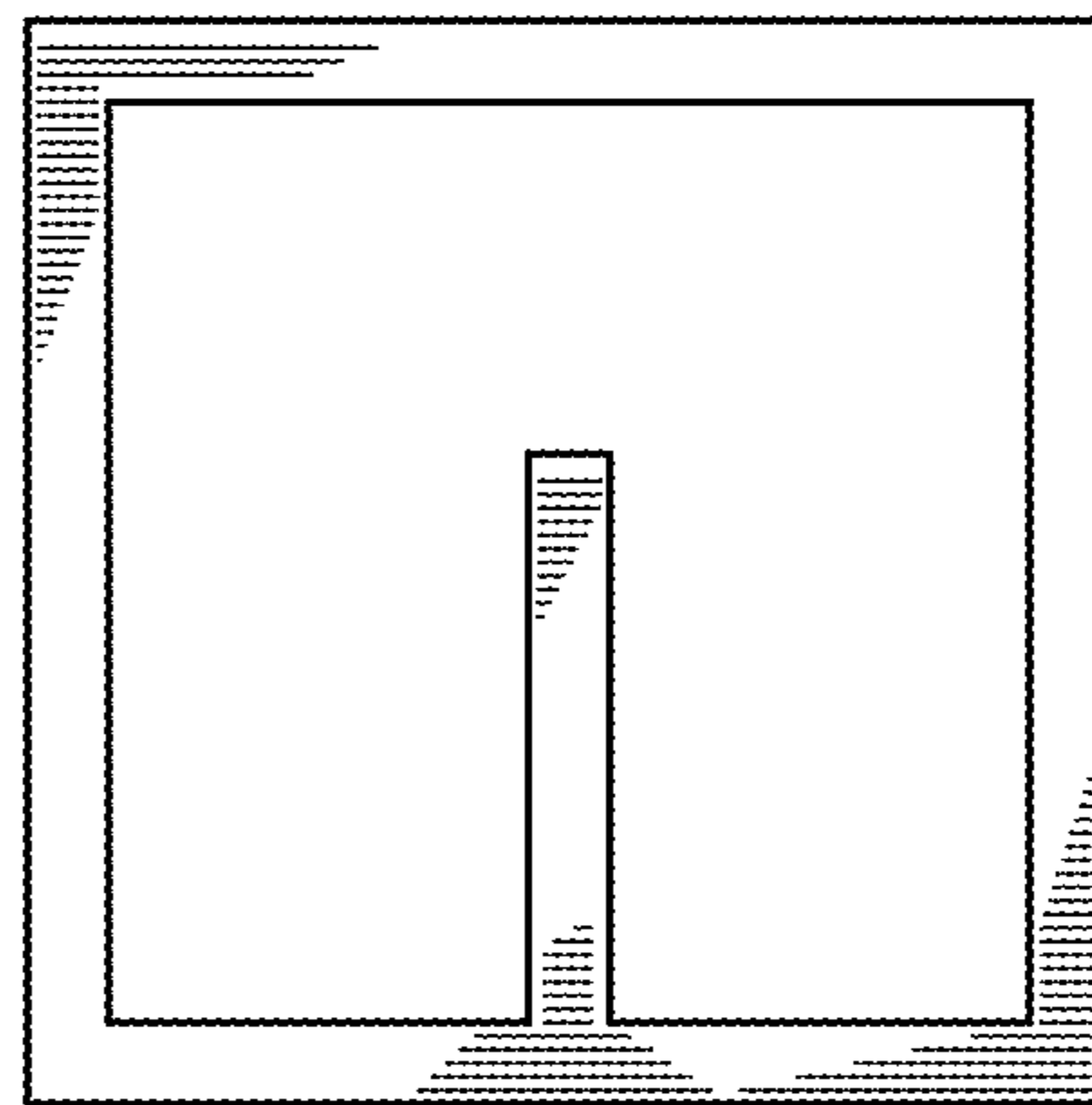


Fig. 7

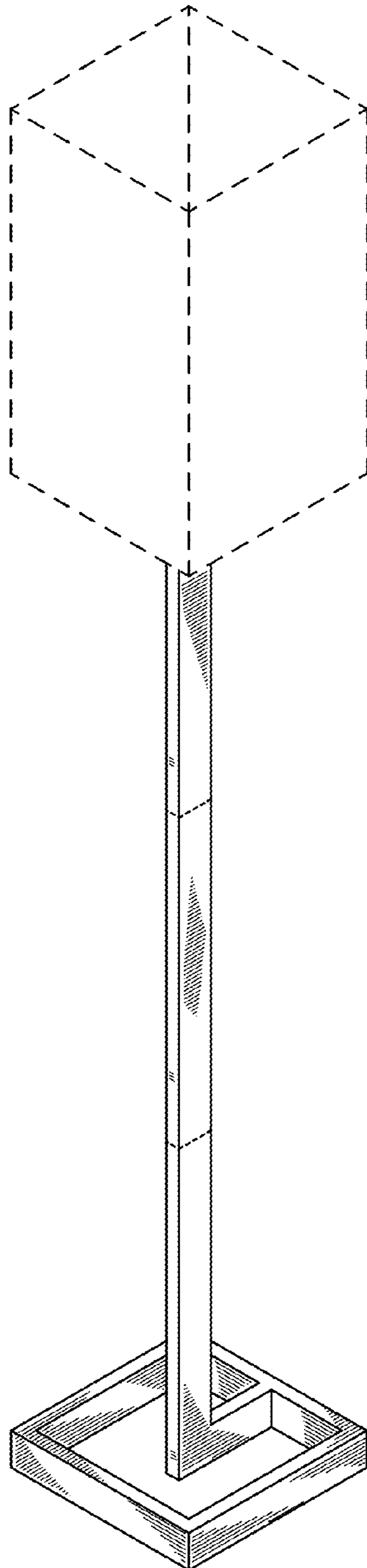


Fig. 8

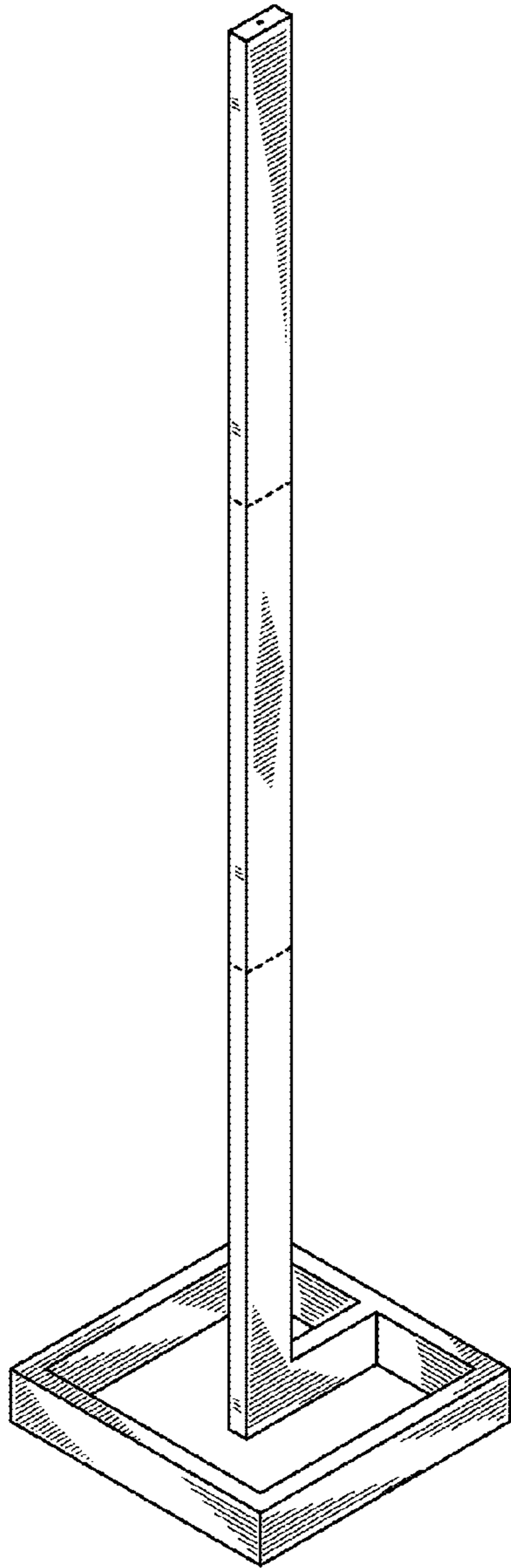


Fig. 9

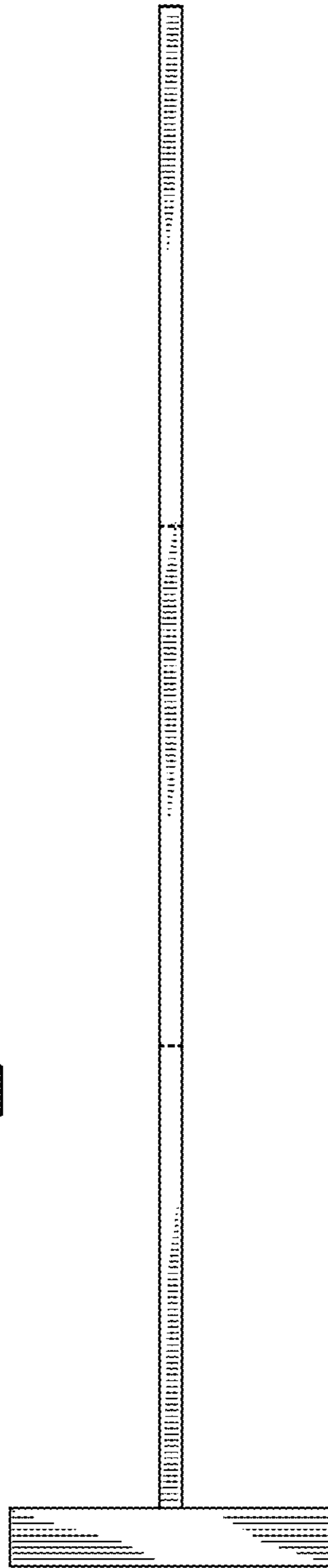


Fig. 10

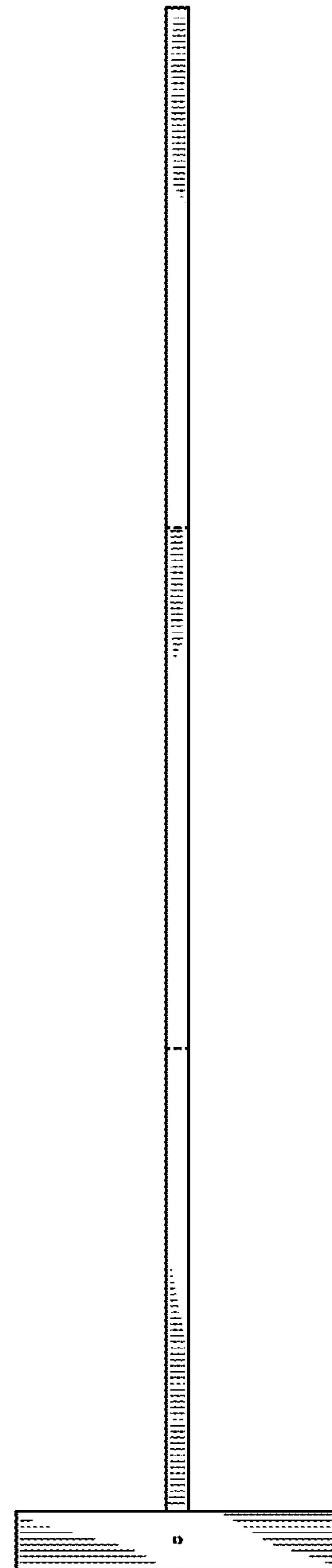


Fig. 11

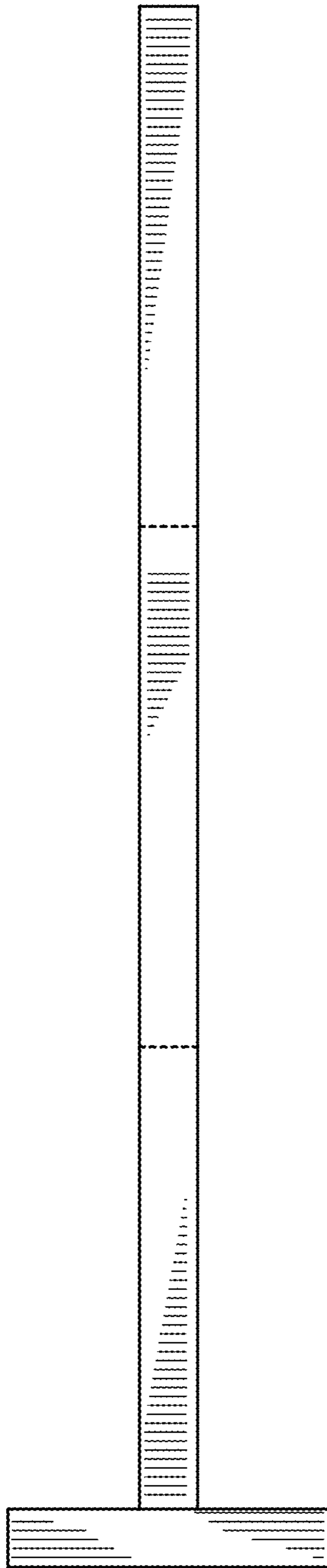


Fig. 12

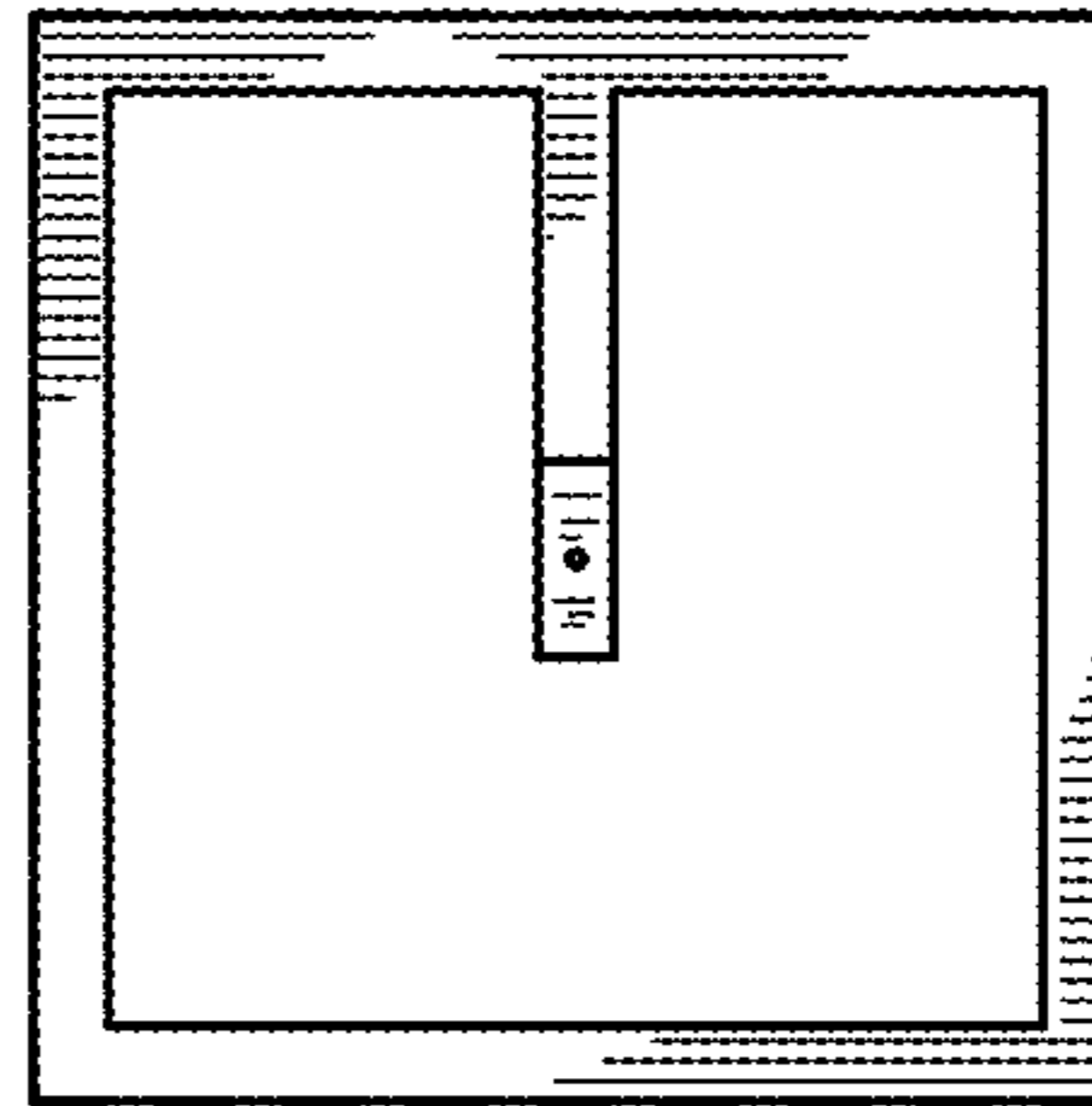


Fig. 13

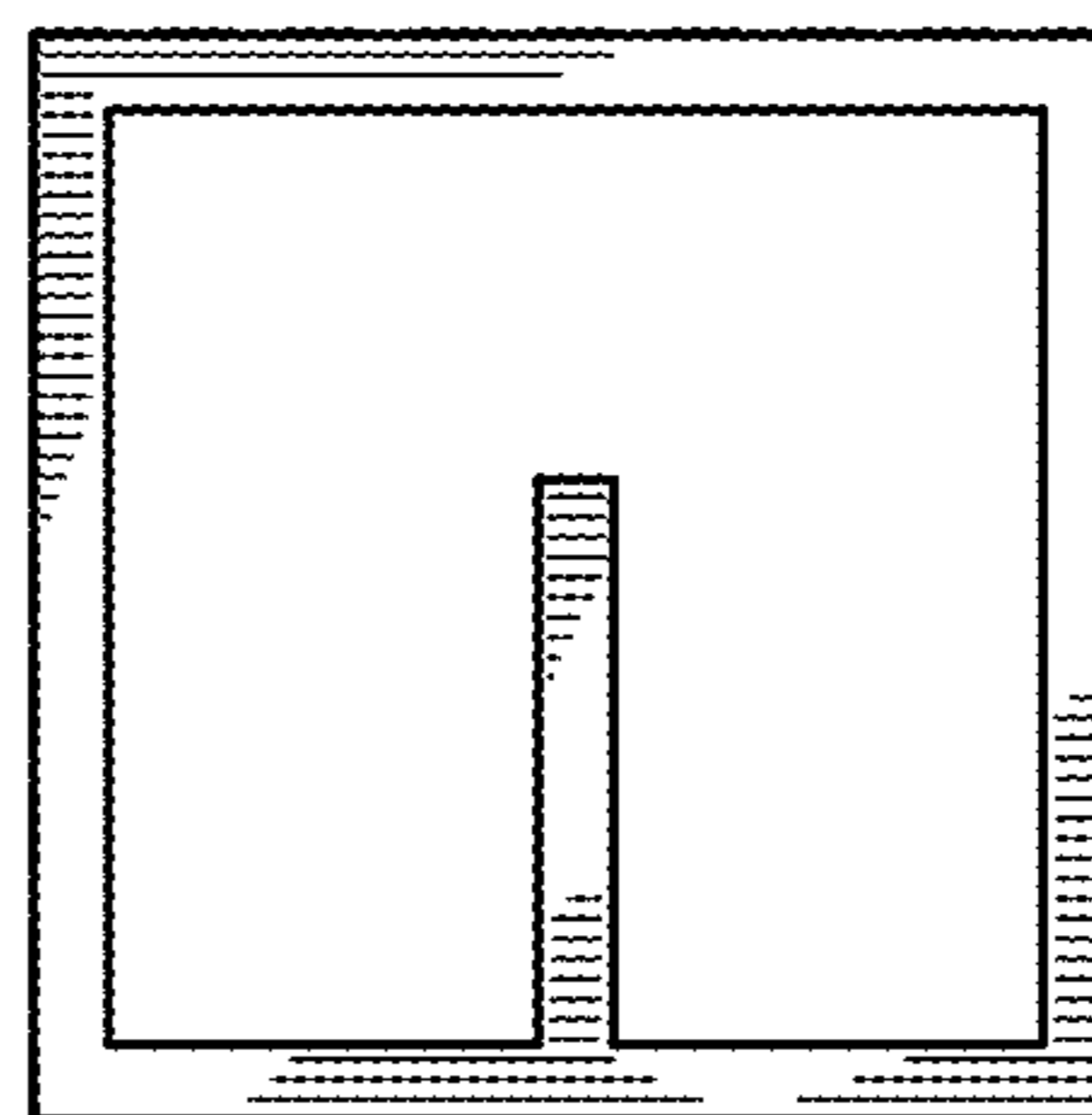


Fig. 14