



US00D749770S

(12) **United States Design Patent**
Mateus

(10) **Patent No.:** **US D749,770 S**

(45) **Date of Patent:** **** Feb. 16, 2016**

(54) **HAT LAMP**

(71) Applicant: **Silvio Carlos Mello Mateus,**
Londrina-Paraná (BR)

(72) Inventor: **Silvio Carlos Mello Mateus,**
Londrina-Paraná (BR)

(**) Term: **14 Years**

(21) Appl. No.: **29/490,245**

(22) Filed: **May 8, 2014**

(51) **LOC (10) Cl.** **26-03**

(52) **U.S. Cl.**
USPC **D26/94**

(58) **Field of Classification Search**
USPC D26/93, 94, 107; D2/888
CPC F21S 6/00; F21S 6/002; F21S 6/08;
F21V 1/00; F21V 21/02; F21V 33/0008;
F21W 2131/30

See application file for complete search history.

(56) **References Cited**

U.S. PATENT DOCUMENTS

D226,676 S *	4/1973	Felsen	D26/94
D360,272 S *	7/1995	Chur	D26/94
D387,465 S *	12/1997	Copland et al.	D26/94
D473,334 S *	4/2003	Conser	D26/94
D538,513 S *	3/2007	Serratelli	D2/888

* cited by examiner

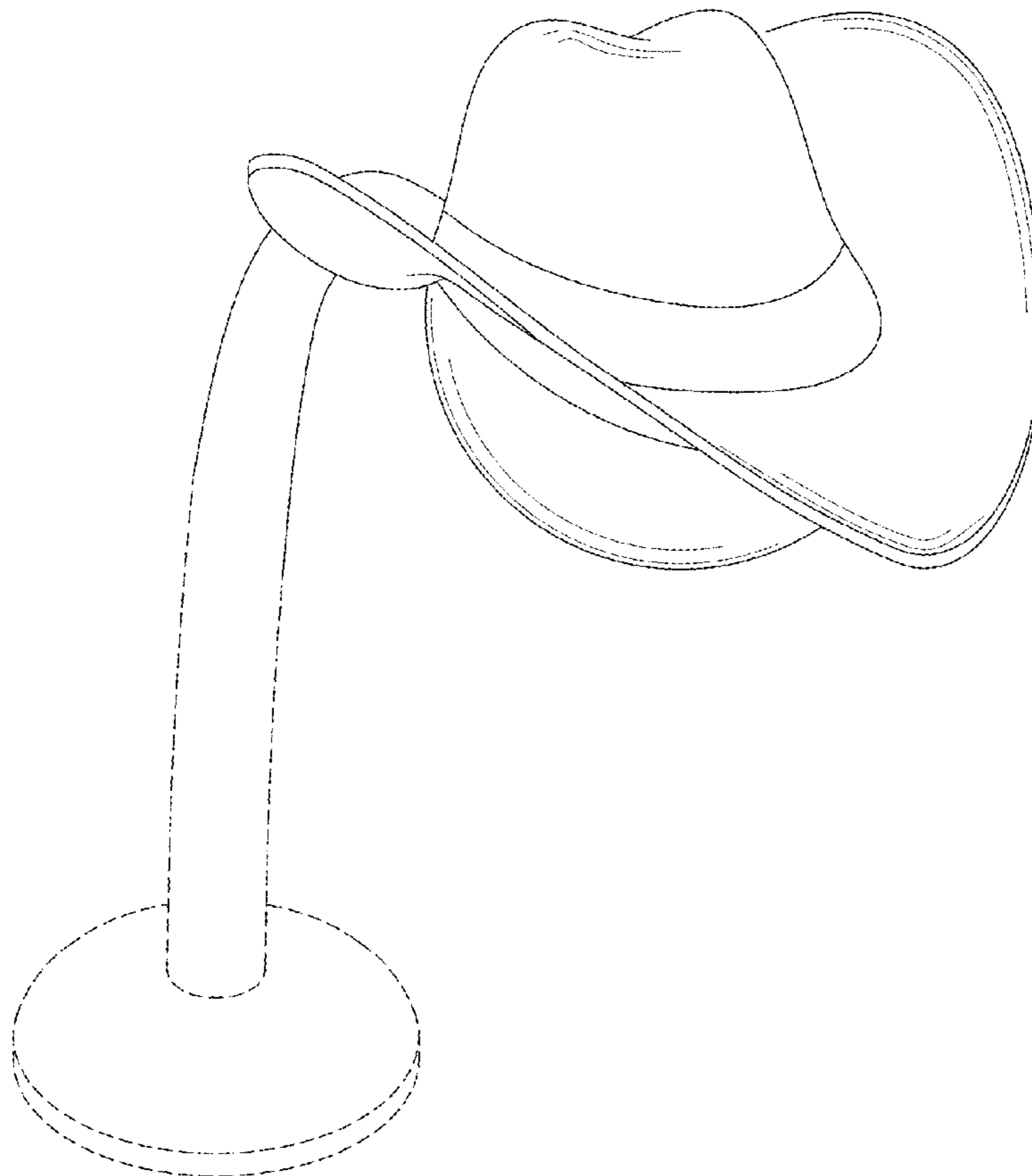
Primary Examiner — Brian N Vinson
(74) *Attorney, Agent, or Firm* — Baker and Rannells, PA

(57) **CLAIM**
The ornamental design for a hat lamp, as shown and described.

DESCRIPTION

FIG. 1 is an isometric view of a hat lamp in accordance with the new design;
FIG. 2 is a front view thereof;
FIG. 3 is a rear view thereof;
FIG. 4 is a right side elevational view thereof;
FIG. 5 is a left side elevational view thereof;
FIG. 6 is a top plan view thereof; and,
FIG. 7 is a bottom plan view thereof.
The broken-line disclosure represents portions of the article which forms no part of the claimed design.

1 Claim, 4 Drawing Sheets



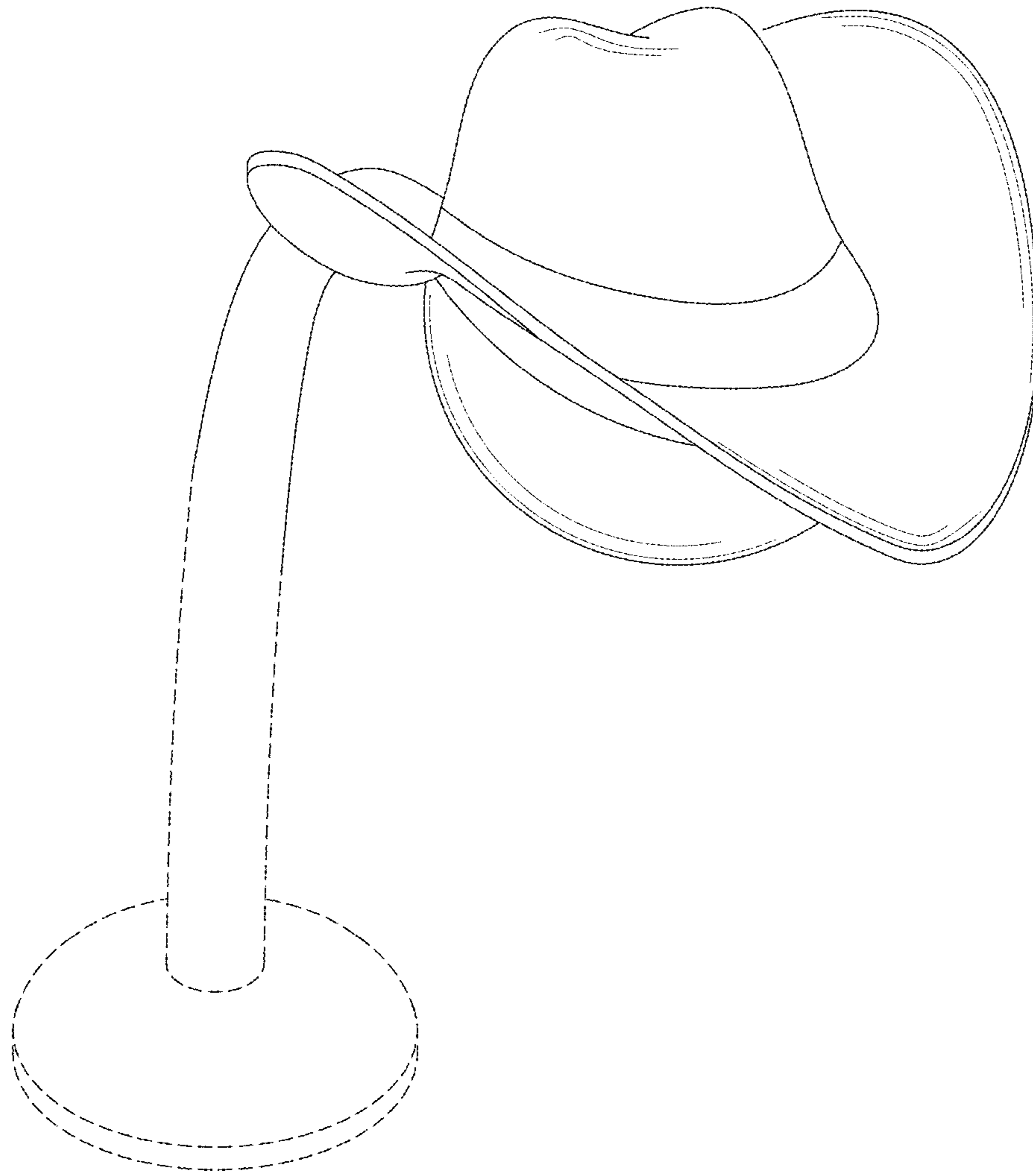


Fig. 1

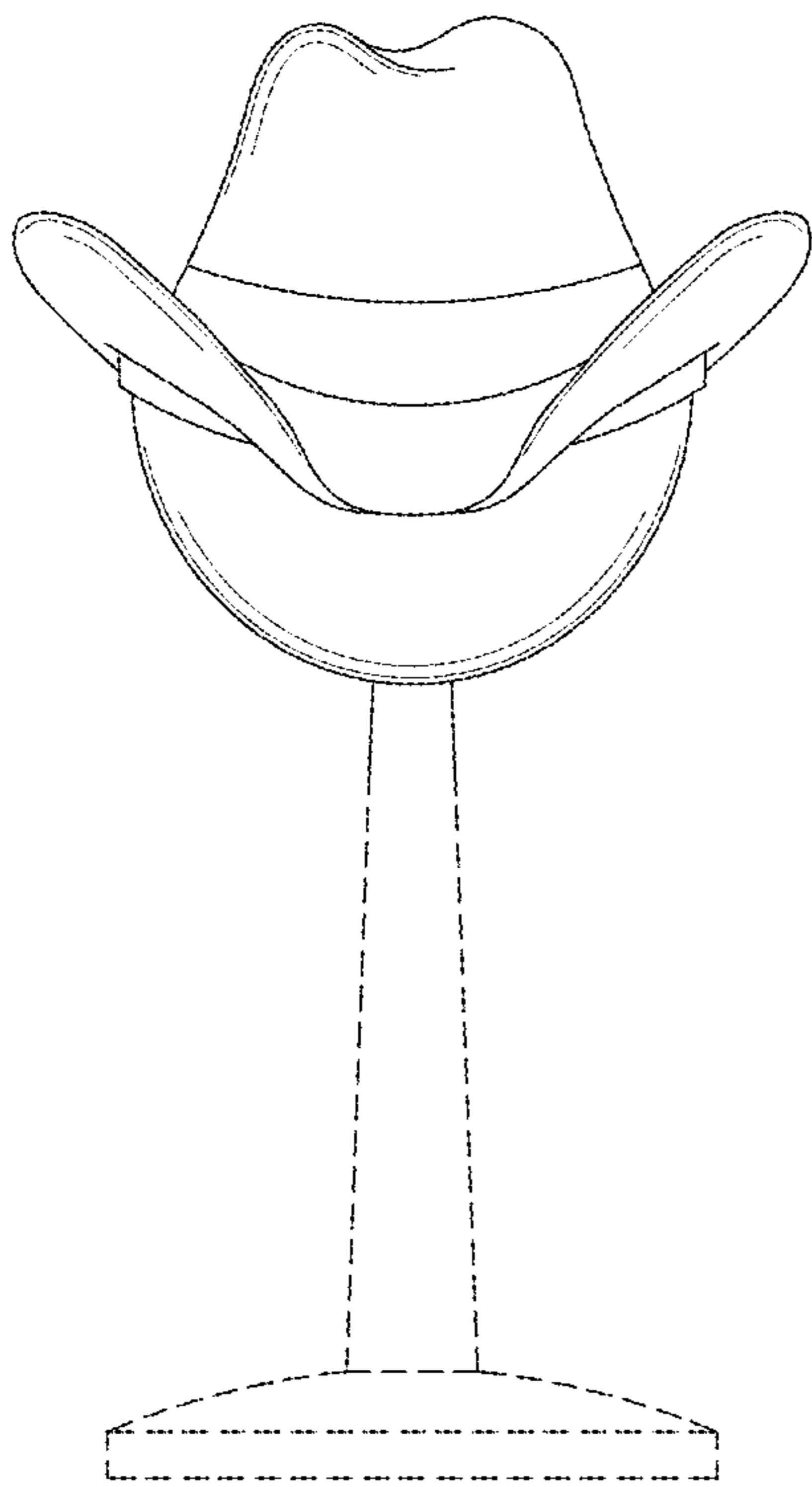


Fig. 2

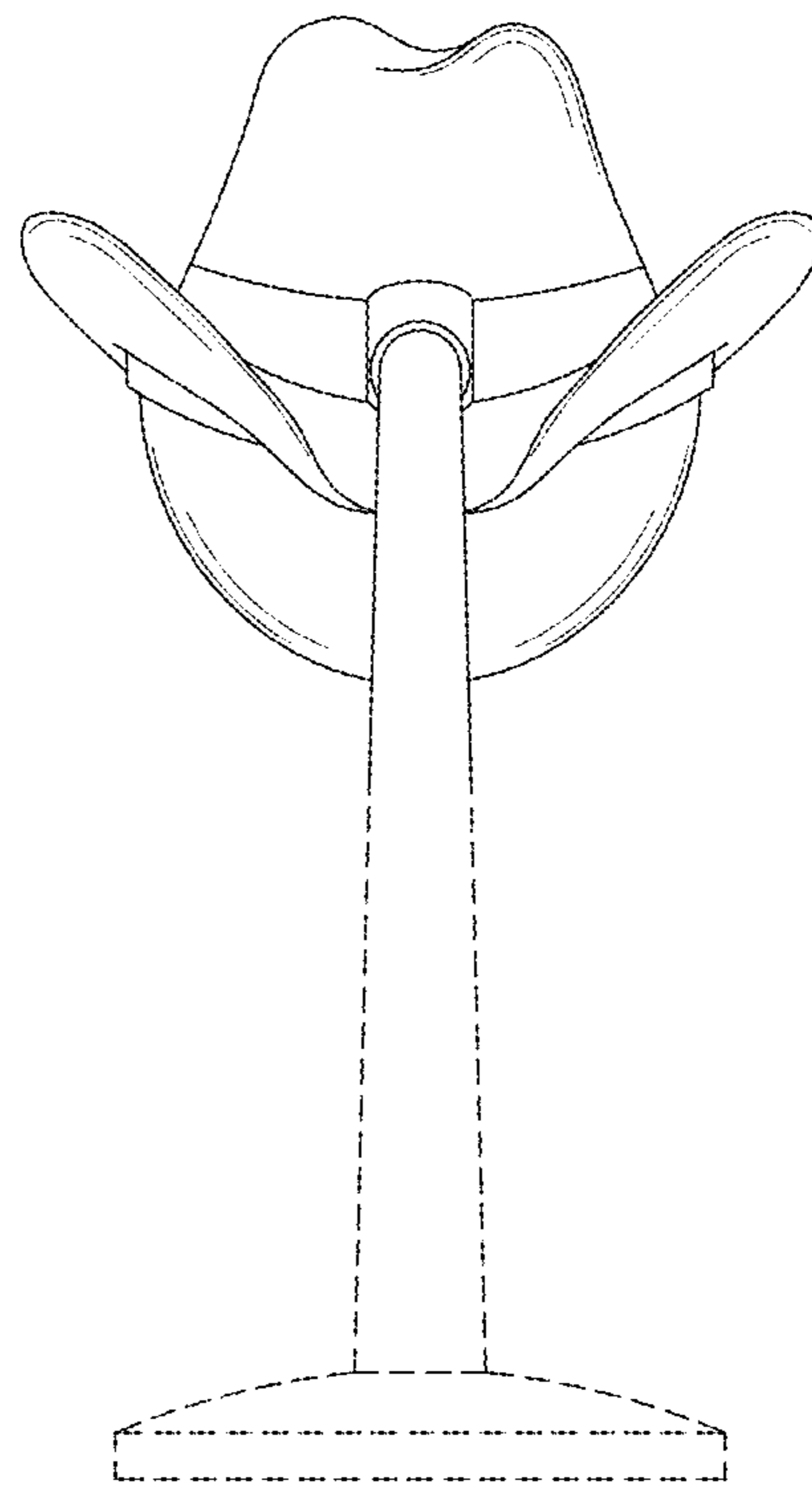
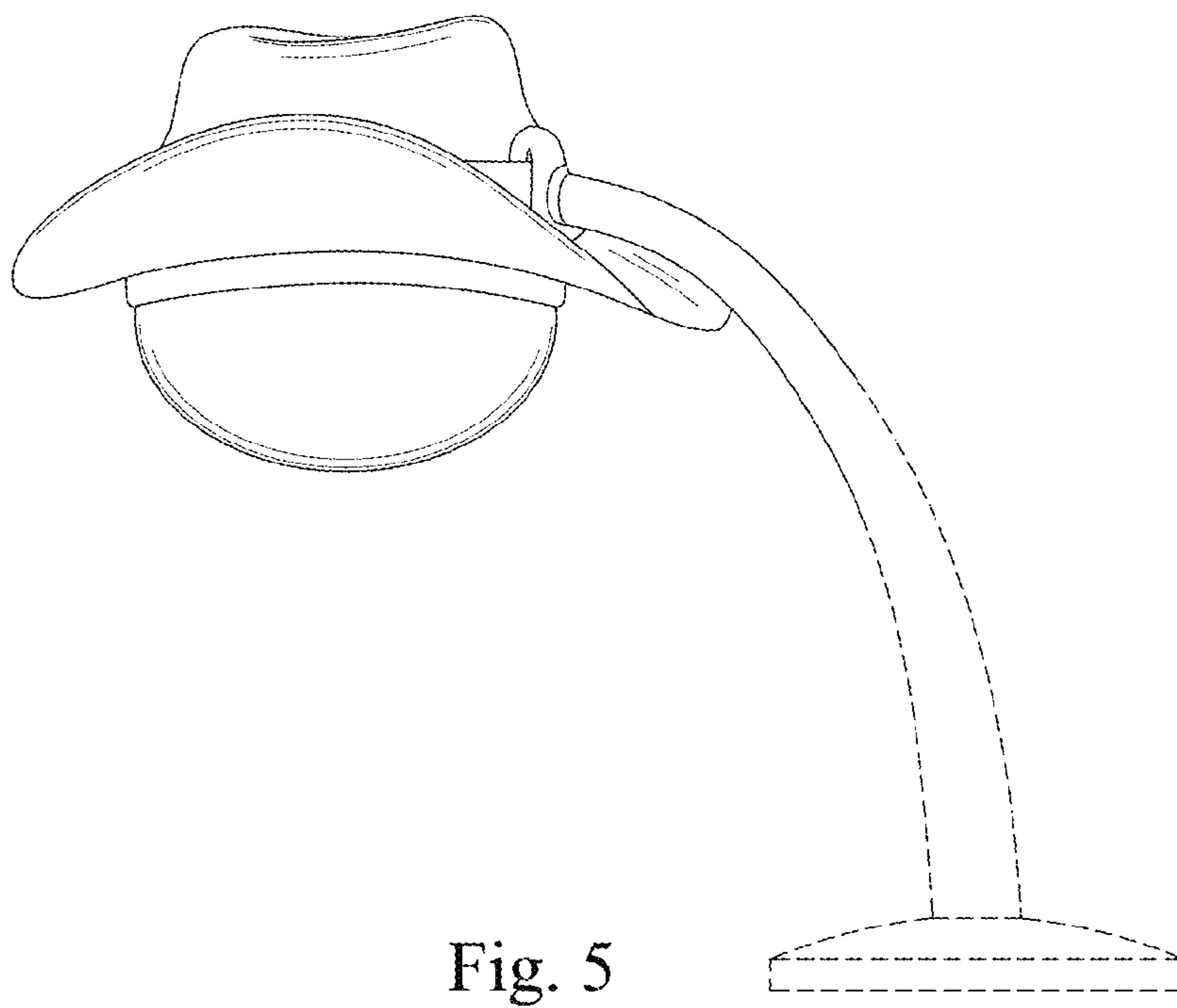
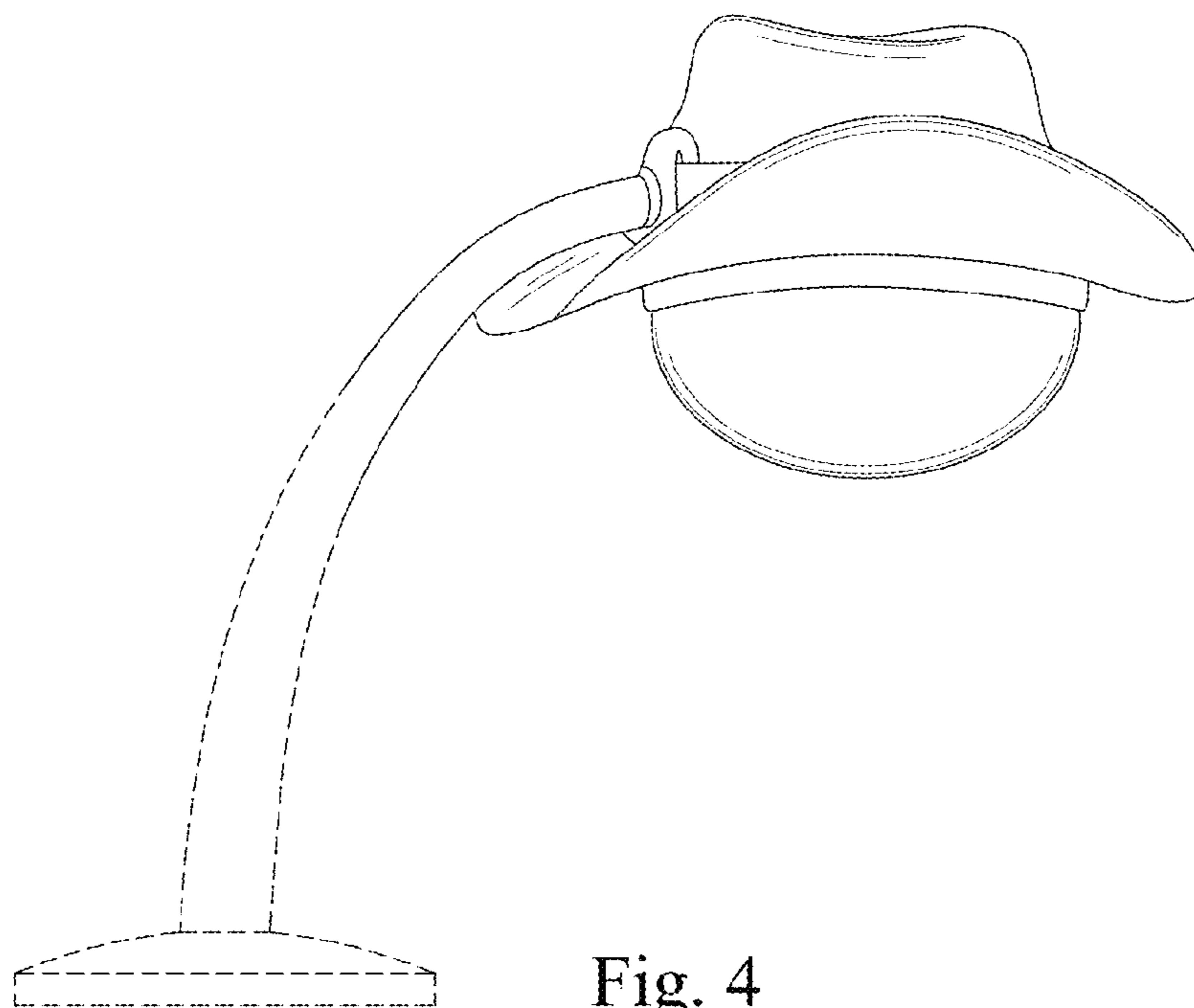


Fig. 3



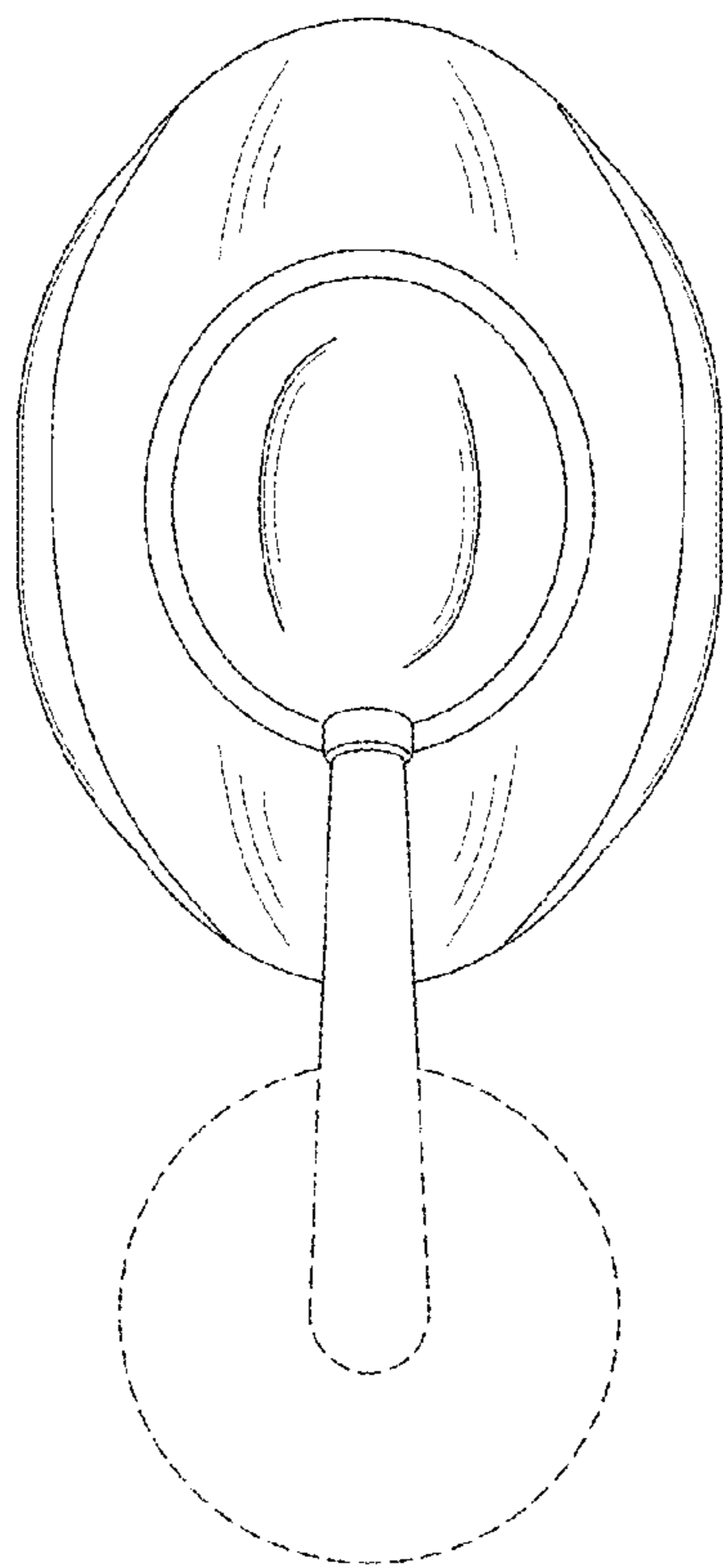


Fig. 6

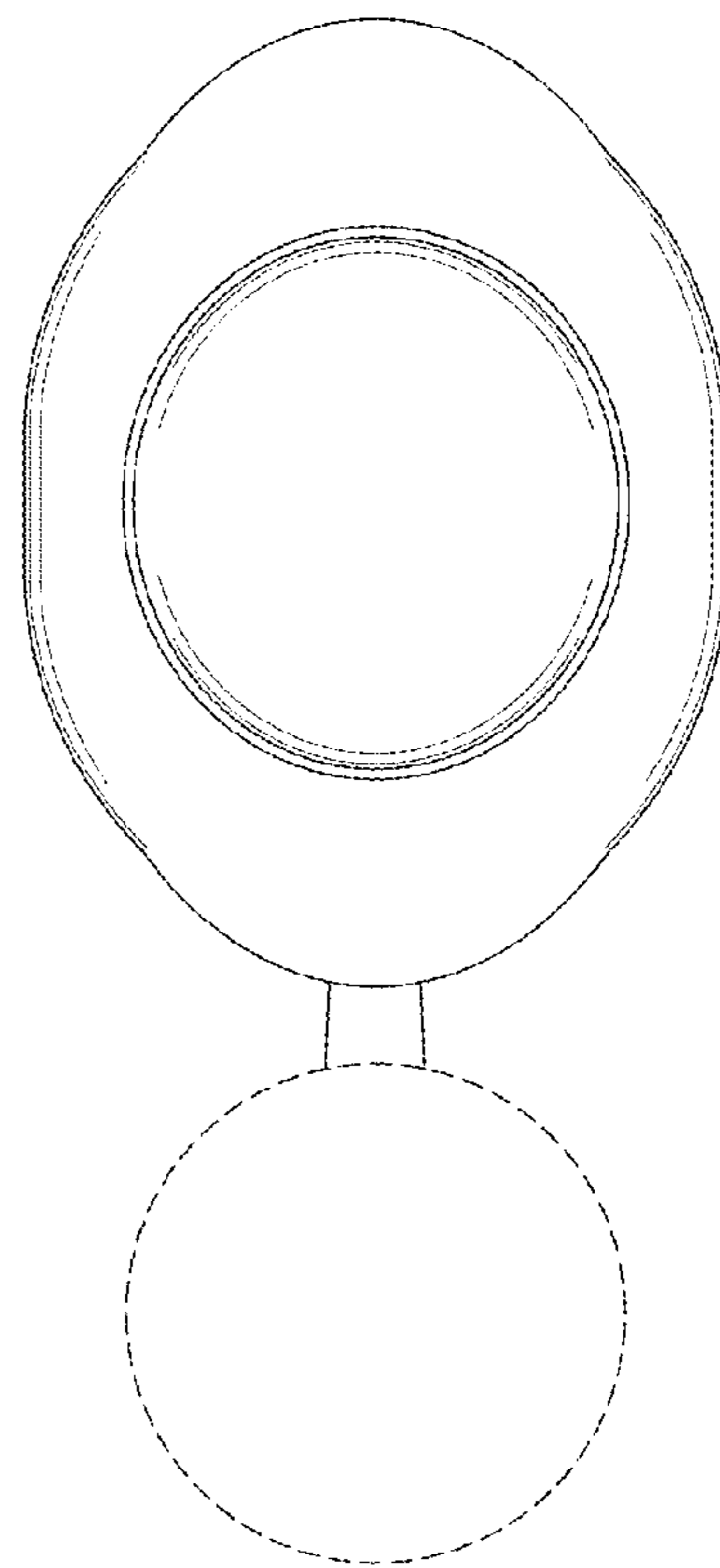


Fig. 7