



US00D749768S

(12) **United States Design Patent**  
**Snell et al.**

(10) **Patent No.:** **US D749,768 S**

(45) **Date of Patent:** **\*\* Feb. 16, 2016**

(54) **TROFFER-STYLE LIGHT FIXTURE WITH SENSORS**

(71) Applicant: **CREE, INC.**, Durham, NC (US)

(72) Inventors: **Nathan Snell**, Raleigh, NC (US); **Brian Kinnune**, Racine, WI (US)

(73) Assignee: **CREE, INC.**, Durham, NC (US)

(\*\*) Term: **14 Years**

(21) Appl. No.: **29/481,543**

(22) Filed: **Feb. 6, 2014**

(51) **LOC. Cl.** ..... **26-03**

(52) **U.S. Cl.** ..... **D26/76**

(58) **Field of Classification Search**

USPC ..... D26/24, 39, 59, 67, 68, 69, 70, 71, 72,  
D26/74, 76, 77, 80, 88, 89, 138, 139, 140,  
D26/141, 142, 151, 152; 362/126, 294, 355

CPC ..... F24S 4/001; F24S 4/005; F24S 8/00;  
F24S 8/04; F24S 8/043; F24S 8/046; F24S  
8/06-8/065; F24S 13/02; F24S 13/04; F24S  
13/06

See application file for complete search history.

(56) **References Cited**

**U.S. PATENT DOCUMENTS**

D85,382 S 10/1931 Guth ..... D26/24  
2,356,654 A 8/1944 Cullman ..... 362/223

(Continued)

**FOREIGN PATENT DOCUMENTS**

CN 1762061 4/2006  
CN 1934389 3/2007

(Continued)

**OTHER PUBLICATIONS**

Office Action from U.S. Appl. No. 13/787,727, dated Jan. 29, 2015.

(Continued)

*Primary Examiner* — George D Kirschbaum

*Assistant Examiner* — Natasha Vujcic

(74) *Attorney, Agent, or Firm* — Koppel, Patrick, Heybl & Philpott

(57) **CLAIM**

The ornamental design for a troffer-style light fixture with sensors, as shown and described herein.

**DESCRIPTION**

FIG. 1 is a perspective view of a first embodiment of the troffer-style light fixture with sensors:

FIG. 2 is an enlarged view of a portion of the design shown in FIG. 1;

FIG. 3 is a left side elevation view of the design shown in FIG. 1, with the right side being a mirror image;

FIG. 4 is a front end elevation view of the design shown in FIG. 1;

FIG. 5 is a back end elevation view of the design shown in FIG. 1;

FIG. 6 is a bottom plan view of the design shown in FIG. 1;

FIG. 7 is a top plan view of the design shown in FIG. 1;

FIG. 8 is a perspective view of a second embodiment of the troffer-style light fixture with sensors:

FIG. 9 is an enlarged view of a portion of the design shown in FIG. 8;

FIG. 10 is a left side elevation view of the design shown in FIG. 8, with the right side being a mirror image;

FIG. 11 is a front end elevation view of the design shown in FIG. 8;

FIG. 12 is a back end elevation view of the design shown in FIG. 8;

FIG. 13 is a bottom plan view of the design shown in FIG. 8;

FIG. 14 is a top plan view of the design shown in FIG. 8;

FIG. 15 is a perspective view of the third embodiment of a troffer-style light fixture with sensors;

FIG. 16 is an enlarged view of a portion of the design shown in FIG. 15;

FIG. 17 is a left side elevation view of the design shown in FIG. 15, with the right side being a mirror image;

FIG. 18 is a front end elevation view of the design shown in FIG. 15;

FIG. 19 is a back end elevation view of the design shown in FIG. 15;

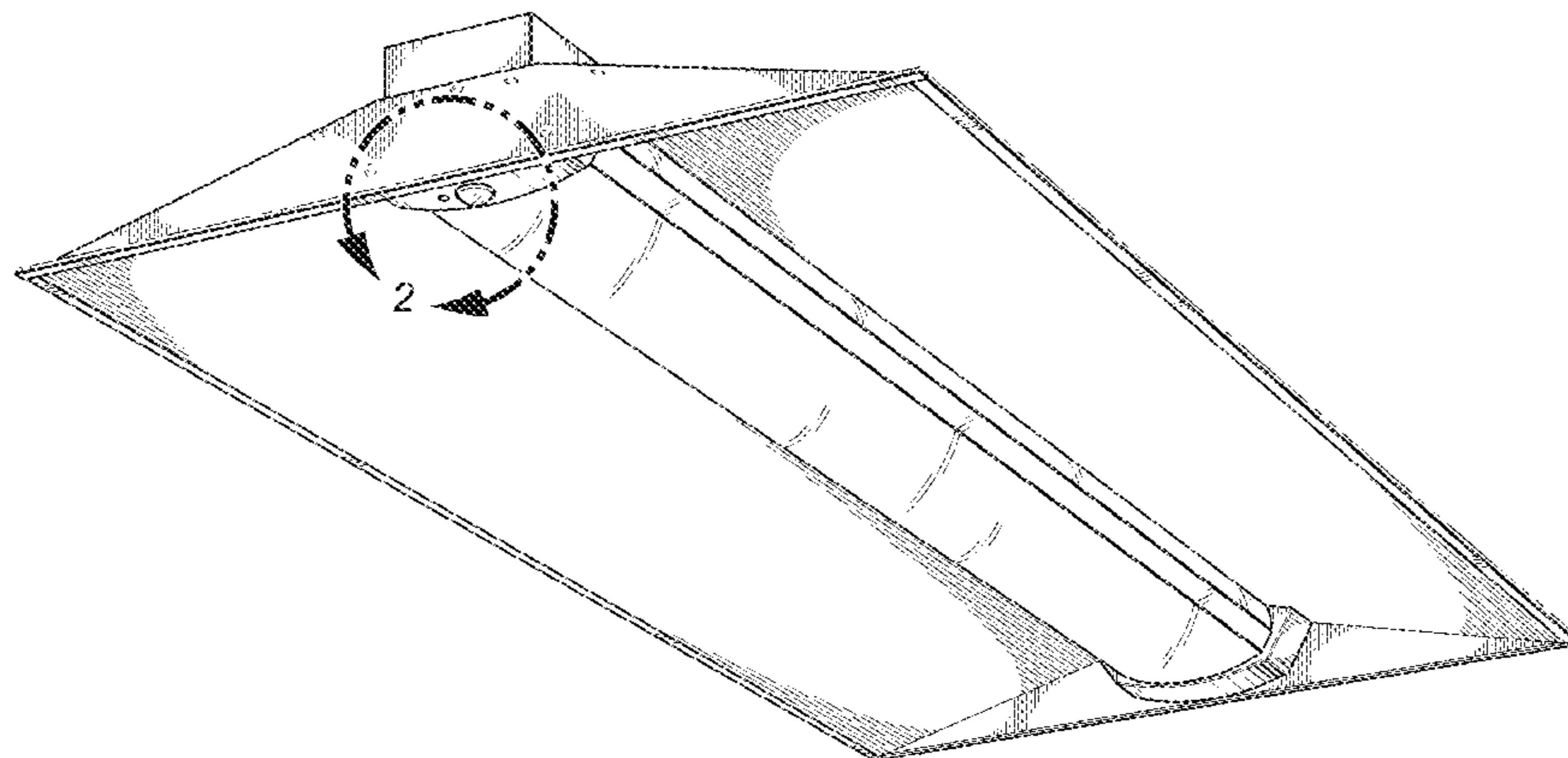
FIG. 20 is a bottom plan view of the design shown in FIG. 15; and,

FIG. 21 is a top plan view of the design shown in FIG. 15.

Some elements of the fixtures in some of the figures are in broken lines for illustrative purposes only and form no part of the claimed design.

The use of separation and a bracket in some of the figures indicates, for ease of illustration, an embodiment in which the precise length of the light fixture is not claimed.

**1 Claim, 10 Drawing Sheets**



(56)

References Cited

U.S. PATENT DOCUMENTS

3,381,124	A	4/1968	Eisenberg	362/354	D672,079	S *	12/2012	Kong	D26/74
4,939,627	A	7/1990	Herst et al.	362/299	D673,711	S *	1/2013	Pickard	D26/74
5,025,356	A	6/1991	Gawad	362/221	D679,848	S	4/2013	Pickard et al.	D26/74
5,823,663	A	10/1998	Bell et al.	362/362	8,410,514	B2	4/2013	Kim	257/99
D407,473	S	3/1999	Wimbock	D23/328	D684,291	S	6/2013	Goelz et al.	D26/74
D413,402	S *	8/1999	Ranieri	D26/74	8,591,058	B2	11/2013	Concepcion	362/231
6,149,283	A	11/2000	Conway et al.	362/236	8,591,071	B2	11/2013	Hochstein	362/294
6,155,699	A	12/2000	Miller et al.	362/293	D698,975	S	2/2014	Blessitt et al.	D26/74
6,210,025	B1	4/2001	Schmidt et al.	362/362	8,641,243	B1	2/2014	Rashidi	362/373
6,234,643	B1	5/2001	Lichon, Jr.	362/147	D701,341	S *	3/2014	Mayfield, III	D26/74
6,402,347	B1	6/2002	Maas et al.	362/294	D701,988	S	4/2014	Clements	D26/74
6,523,974	B2	2/2003	Engel	362/224	8,696,154	B2	4/2014	Hutchens	362/217.05
6,578,979	B2	6/2003	Truttmann-Battig	362/92	8,702,264	B1	4/2014	Rashidi	362/147
D496,121	S *	9/2004	Santoro	D26/76	D707,873	S *	6/2014	Boyer	D26/74
6,871,983	B2	3/2005	Jacob et al.	362/364	8,764,244	B2	7/2014	Jeon	362/218
7,021,797	B2	4/2006	Minano et al.	362/355	D714,988	S *	10/2014	Park	D26/74
7,049,761	B2	5/2006	Timmermans et al.	315/246	D721,198	S *	1/2015	Glasbrenner	D26/76
7,063,449	B2	6/2006	Ward	345/102	9,052,075	B2 *	6/2015	Demuyneck	F21S 9/022
7,175,296	B2	2/2007	Cok	362/147	9,127,826	B2 *	9/2015	Boyer	F21V 7/0008
7,213,940	B1	5/2007	Van de Ven et al.	362/231	2004/0001344	A1	1/2004	Hecht	
7,217,004	B2	5/2007	Park et al.	362/240	2004/0085779	A1	5/2004	Pond et al.	362/516
7,237,924	B2	7/2007	Martineau et al.	362/231	2004/0240230	A1	12/2004	Kitajima	
D553,781	S *	10/2007	Pickard	D26/74	2005/0264716	A1	12/2005	Kim et al.	
D556,358	S *	11/2007	Santoro	D26/76	2005/0281023	A1	12/2005	Gould	362/217
7,338,182	B1	3/2008	Hastings et al.	362/150	2006/0221611	A1	10/2006	Noh et al.	362/247
D572,858	S *	7/2008	Santoro	D26/120	2006/0262521	A1	11/2006	Pieprgras et al.	362/149
7,510,299	B2	3/2009	Timmermans et al.	362/225	2006/0291206	A1	12/2006	Angelini et al.	362/244
7,520,636	B2	4/2009	Van der Poel	362/290	2007/0070625	A1	3/2007	Bang	362/240
D593,246	S	5/2009	Fowler et al.	D26/76	2007/0109779	A1	5/2007	Sekiguchi et al.	
7,559,672	B1	7/2009	Parkyn et al.	362/244	2007/0115670	A1	5/2007	Roberts et al.	
7,594,736	B1	9/2009	Kassay et al.	362/225	2007/0115671	A1	5/2007	Roberts et al.	
D604,446	S	11/2009	Fowler et al.	D26/76	2007/0211457	A1	9/2007	Mayfield et al.	362/223
7,618,157	B1	11/2009	Galvez et al.	362/294	2007/0253205	A1	11/2007	Welker	362/373
7,618,160	B2	11/2009	Chinniah et al.	362/326	2007/0297181	A1	12/2007	Mayfield et al.	362/342
D608,490	S *	1/2010	Chung	D26/118	2008/0019147	A1	1/2008	Erchak	362/607
D608,932	S	1/2010	Castelli	D26/76	2008/0049422	A1	2/2008	Trenchard et al.	362/238
7,654,702	B1	2/2010	Ding et al.	362/249.02	2008/0232093	A1	9/2008	Kim	362/147
7,661,844	B2	2/2010	Sekiguchi et al.	362/249.02	2008/0278943	A1	11/2008	Van Der Poel	362/240
D611,183	S	3/2010	Duarte	D26/76	2009/0034247	A1	2/2009	Boyer	362/225
7,674,005	B2	3/2010	Chung et al.	362/223	2009/0073693	A1	3/2009	Nall	362/249.02
7,686,470	B2	3/2010	Chiang	362/147	2009/0161356	A1	6/2009	Negley et al.	362/231
7,686,484	B2	3/2010	Heiking et al.	362/375	2009/0168439	A1	7/2009	Chiang	362/404
7,712,918	B2	5/2010	Siemiet et al.	362/241	2009/0196024	A1	8/2009	Heiking et al.	362/150
7,722,220	B2	5/2010	Van de Ven	362/294	2009/0225543	A1	9/2009	Jacobson et al.	
7,722,227	B2	5/2010	Zhang et al.	362/364	2009/0237958	A1	9/2009	Kim	
D617,487	S	6/2010	Fowler et al.	D26/76	2009/0262543	A1	10/2009	Ho	362/373
7,768,192	B2	8/2010	Van de Ven et al.	313/503	2009/0296388	A1	12/2009	Wu et al.	362/235
7,815,338	B2	10/2010	Siemiet et al.	362/218	2009/0310354	A1	12/2009	Zampini et al.	362/235
7,824,056	B2	11/2010	Madireddi et al.	362/125	2009/0323334	A1	12/2009	Roberts et al.	
7,828,468	B2	11/2010	Mayfield et al.	362/342	2010/0061108	A1	3/2010	Zhang et al.	362/364
D633,247	S *	2/2011	Kong	D26/76	2010/0097794	A1	4/2010	Teng et al.	362/231
7,922,354	B2	4/2011	Everhart	362/235	2010/0103678	A1	4/2010	Van de Ven et al.	362/294
7,926,982	B2	4/2011	Liu	362/294	2010/0110679	A1	5/2010	Teng et al.	
7,988,321	B2	8/2011	Wung et al.	362/218	2010/0172133	A1	7/2010	Liu	362/235
7,988,335	B2	8/2011	Liu et al.	362/294	2010/0177532	A1	7/2010	Simon et al.	362/555
7,991,257	B1	8/2011	Coleman	264/1.24	2010/0188609	A1	7/2010	Matsuki et al.	
7,993,034	B2	8/2011	Wegner	362/296.05	2010/0253591	A1	10/2010	Hwu et al.	345/1.3
8,038,314	B2	10/2011	Ladewig		2010/0254128	A1	10/2010	Pickard et al.	362/231
8,038,321	B1	10/2011	Franck et al.	362/249.02	2010/0254145	A1	10/2010	Yamaguchi	
8,058,659	B2	11/2011	Bisberg		2010/0254146	A1	10/2010	McCanless	
8,070,326	B2	12/2011	Lee	362/307	2010/0270903	A1	10/2010	Jao et al.	313/46
D653,376	S	1/2012	Kong et al.	D26/76	2010/0271843	A1	10/2010	Holten et al.	362/609
8,092,043	B2	1/2012	Lin et al.	362/249	2010/0277905	A1	11/2010	Janik et al.	362/235
8,092,049	B2	1/2012	Kinnune et al.	362/294	2010/0295468	A1	11/2010	Pedersen et al.	315/294
8,096,671	B1	1/2012	Cronk	362/147	2010/0327768	A1	12/2010	Kong et al.	315/294
D657,488	S	4/2012	Lown et al.	D26/120	2011/0032714	A1	2/2011	Chang	362/373
8,162,504	B2	4/2012	Zhang et al.	362/217	2011/0043132	A1	2/2011	Kim et al.	362/235
8,186,855	B2	5/2012	Wassel et al.	362/373	2011/0141722	A1	6/2011	Acampora et al.	362/218
8,197,086	B2	6/2012	Watanabe et al.	362/218	2011/0141734	A1	6/2011	Li et al.	362/235
8,201,968	B2	6/2012	Maxik et al.		2011/0156584	A1	6/2011	Kim	315/32
8,215,799	B2	7/2012	Vanden Eynden et al.	362/294	2011/0164417	A1	7/2011	Huang	362/235
8,246,219	B2	8/2012	Teng et al.	362/311.03	2011/0175533	A1	7/2011	Holman	315/130
8,256,927	B2	9/2012	Hu et al.	362/294	2011/0199005	A1	8/2011	Bretschneider et al.	
D670,849	S	11/2012	Lay et al.	D26/74	2011/0199769	A1	8/2011	Bretschneider et al.	
8,317,354	B2	11/2012	Gassner et al.	362/147	2011/0246146	A1	10/2011	Kauffman et al.	703/2
					2011/0255292	A1	10/2011	Shen	362/311
					2011/0267810	A1	11/2011	Higman et al.	362/218
					2011/0267823	A1	11/2011	Angelini et al.	362/277
					2011/0305024	A1	12/2011	Chang	362/294

(56)

## References Cited

## U.S. PATENT DOCUMENTS

2012/0033420	A1	2/2012	Kim et al.	362/235
2012/0038289	A1	2/2012	Jee et al.	315/291
2012/0051041	A1*	3/2012	Edmond	F21S 8/026 362/231
2012/0127714	A1	5/2012	Rehn	
2012/0134146	A1	5/2012	Smith	362/225
2012/0140442	A1	6/2012	Woo	362/95
2012/0140461	A1	6/2012	Huang et al.	
2013/0235568	A1	9/2013	Green et al.	362/218
2013/0258652	A1	10/2013	Hsieh	362/225
2014/0265930	A1	9/2014	Harris	315/307
2015/0016100	A1	1/2015	Ishii	362/223

## FOREIGN PATENT DOCUMENTS

CN	1963289	A	5/2007
CN	101188261		5/2008
CN	101660715		3/2010
CN	101776254		7/2010
CN	101790660		7/2010
CN	102072443		5/2011
CN	202580962		12/2012
DE	102007030186		1/2009
DE	202010001832		7/2010
EP	1298383	A2	4/2003
EP	1357335	A2	10/2003
EP	1653254		3/2006
EP	1737051		12/2006
EP	1847762	A2	10/2007
EP	1860467		11/2007
EP	2636945	A2	9/2013
JP	2002344027		11/2002
JP	U3097327		8/2003
JP	2004140324		5/2004
JP	2004345615		12/2004
JP	2006173624		6/2006
JP	2009295577		12/2009
JP	2010103687		5/2010
JP	2011018571		8/2011
JP	2011018573		8/2011
TW	201018826		5/2010
WO	WO 03102467		11/2003
WO	WO 03102467		12/2003
WO	WO2009030233		3/2009
WO	WO2009140761	A1	11/2009
WO	WO 2009157999		12/2009
WO	WO2009157999	A1	12/2009
WO	WO 2010024583		3/2010
WO	WO2010042216		4/2010
WO	WO2010042216	A2	4/2010
WO	WO2011074424	A1	6/2011
WO	WO2011096098	A1	8/2011
WO	WO2011098191		8/2011
WO	WO2011118991	A2	9/2011
WO	WO2011140353	A2	11/2011

## OTHER PUBLICATIONS

Office Action from U.S. Appl. No. 13/429,080, dated Feb. 18, 2015.  
Office Action from U.S. Appl. No. 13/453,924, dated Mar. 10, 2015.  
Office Action from Japanese Design Patent Application No. 2011-18570.  
Reason for Rejection from Japanese Design Patent Application No. 2011-18571.  
Reason for Rejection from Japanese Design Patent Application No. 2011-18572.  
International Search Report and Written Opinion for PCT Application No. PCT/US2011/062396, dated Jul. 13, 2012.  
U.S. Appl. No. 12/873,303, filed Aug. 31, 2010 to Edmond, et al.  
U.S. Appl. No. 12/961,385, filed Dec. 6, 2010 to Pickard, et al.  
Cree's XLamp XP-E LED's, data sheet, pp. 1-17.  
Cree's XLamp XP-G LED's, data sheet, pp. 1-12.  
International Search Report and Written Opinion for Patent Application No. PCT/US2011/001517, dated: Feb. 27, 2012.

U.S. Appl. No. 12/418,796, filed Apr. 6, 2009.  
U.S. Appl. No. 13/429,080, filed Mar. 23, 2012.  
U.S. Appl. No. 13/028,946, filed Feb. 16, 2011.  
U.S. Appl. No. 13/306,589, filed Nov. 29, 2011.  
U.S. Appl. No. 13/649,052, filed Oct. 10, 2012, Lowes, et al.  
U.S. Appl. No. 13/649,067, filed Oct. 10, 2012, Lowes, et al.  
U.S. Appl. No. 13/207,204, filed Aug. 10, 2011, Athalye, et al.  
U.S. Appl. No. 13/365,844.  
U.S. Appl. No. 13/662,618, filed Oct. 29, 2012, Athalye, et al.  
U.S. Appl. No. 13/462,388, filed May 2, 2012.  
U.S. Appl. No. 13/842,150, filed Mar. 15, 2013, Dixon, et al.  
U.S. Appl. No. 13/770,389, filed Feb. 19, 2013, Lowes, et al.  
U.S. Appl. No. 13/782,820, filed Mar. 1, 2013, Dixon, et al.  
XLamp® C family from Cree®, Inc., Product Family Data Sheet, 15 pages.  
XLamp® M family from Cree®, Inc., Product Family Data Sheet, 14 pages.  
XLamp® X family from Cree®, Inc., Product Family Data Sheet, 17 pages.  
Energy Star® Program Requirements for Solid State Lighting Luminaires, Eligibility Criteria—Version 1.1, final: Dec. 19, 2008.  
Assist Recommends . . . LED Life for General Lighting: Definition of Life. vol. 1, Issue 1, Feb. 2005.  
“IES Approved Method for Measuring Lumen Maintenance of LED light Sources”, Sep. 22, 2006. ISBN No. 978-0-87995-227-3, (LM-80).  
International Search Report and Written Opinion from PCT Application No. PCT/US2013/021053, dated Apr. 17, 2013.  
Search Report and Written Opinion from PCT Patent Appl. No. PCT/US2012/047084, dated Feb. 27, 2013.  
Search Report and Written Opinion from PCT Patent Appl. No. PCT/US2012/071800, dated Mar. 25, 2013.  
U.S. Appl. No. 12/074,762, filed Mar. 2008, Jacobson, et al.  
U.S. Appl. No. 13/442,311, filed Apr. 2012, Lu, et al.  
U.S. Appl. No. 13/763,270, filed Feb. 2010, Heeter, et al.  
Citadel(tm) SLP Lighting (<http://www.slplighting.com/enclosures.html>).  
Final Rejection issued in Korean Design Appl. No. 30-2011-0038114, dated Jun. 14, 2013.  
Final Rejection issued in Korean Design Appl. No. 30-2011-0038115, dated Jun. 14, 2013.  
Final Rejection issued in Korean Design Appl. No. 30-2011-0038116, dated Jun. 17, 2013.  
International Search Report and Written Opinion from PCT Patent Appl. No. PCT/US2013/035668, dated Jul. 12, 2013.  
Notice to Submit a Response from Korean Patent Application No. 30-2011-0038115, dated Dec. 12, 2012.  
Notice to Submit a Response from Korean Patent Application No. 30-2011-0038116, dated Dec. 12, 2012.  
International Search Report and Written Opinion from Appl. No. PCT/CN2013/072772, dated Dec. 19, 2013.  
International Search Report and Written Opinion from PCT/US2013/049225, dated Oct. 24, 2013.  
Office Action from U.S. Appl. No. 29/387,171, dated May 2, 2012.  
Response to OA from U.S. Appl. No. 29/287,171, filed Aug. 2, 2012.  
Office Action from U.S. Appl. No. 12/961,385, dated Apr. 26, 2013.  
Response to OA from U.S. Appl. No. 12/961,385, filed Jul. 24, 2013.  
Office Action from U.S. Appl. No. 13/464,745, dated Jul. 16, 2013.  
Office Action from U.S. Appl. No. 29/368,970, dated Jun. 19, 2012.  
Office Action from U.S. Appl. No. 29/368,970, dated Aug. 24, 2012.  
Response to OA from Patent Appl. No. 29/368,970, filed Nov. 26, 2012.  
Office Action from U.S. Appl. No. 12/961,385, dated Nov. 6, 2013.  
White97 film Technical Data Sheet from WhiteOptics, LLC of New Castel.  
U.S. Appl. No. 14/145,559, filed Dec. 31, 2013, Lui, et al.  
U.S. Appl. No. 12/463,709, filed May 11, 2009, Donofrio, et al.  
U.S. Appl. No. 11/656,759, filed Jan. 22, 2007, Chitnis, et al.  
U.S. Appl. No. 11/899,790, filed Sep. 7, 2007, Chitnis, et al.  
U.S. Appl. No. 12/566,195, filed Sep. 24, 2009, Van de Ven, et al.  
U.S. Appl. No. 12/704,730, filed Feb. 12, 2010, Van de Ven, et al.  
U.S. Appl. No. 14/145,355, filed Dec. 31, 2013, Van de Ven, et al.  
U.S. Appl. No. 13/828,348, filed Mar. 14, 2013, Edmond, et al.

(56)

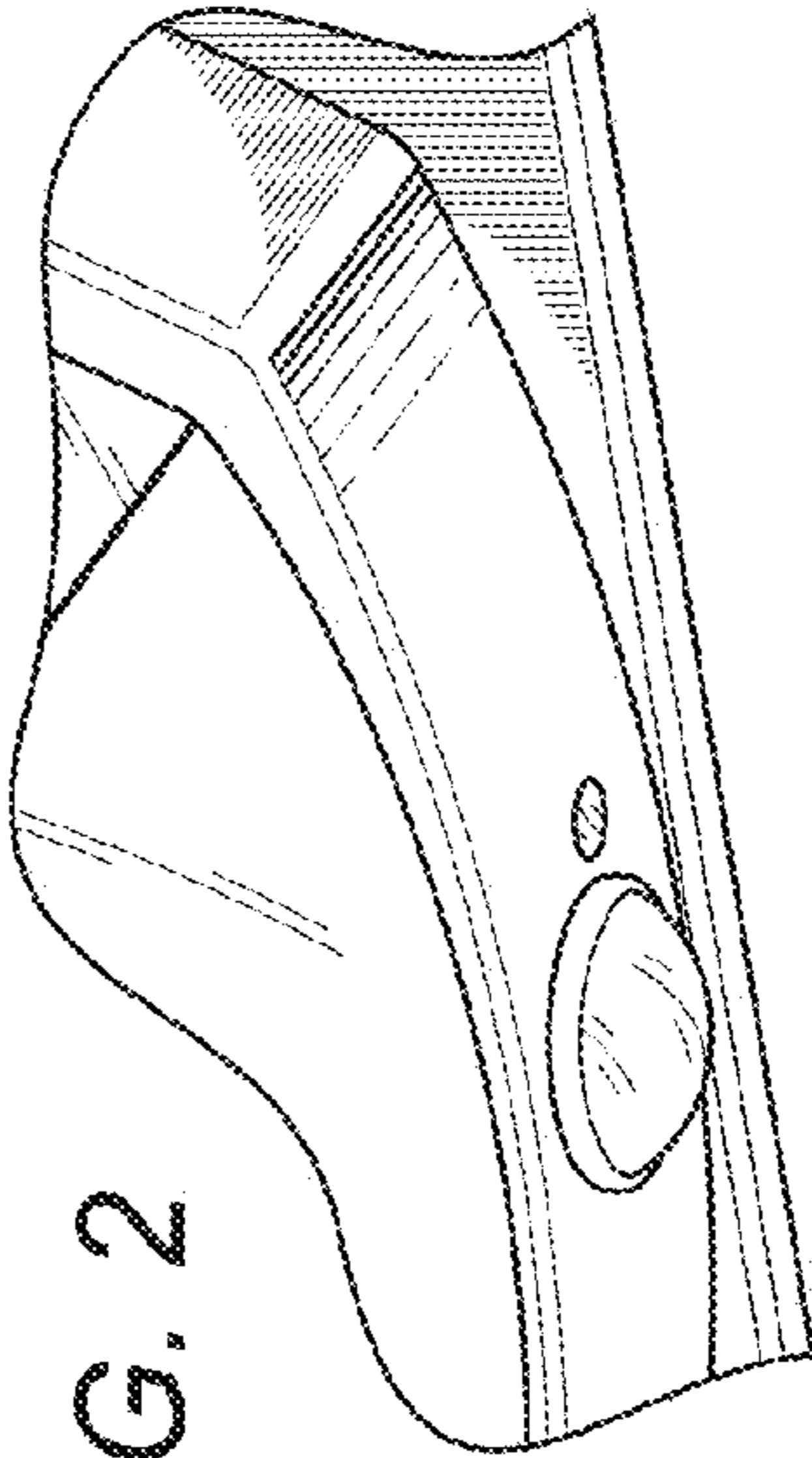
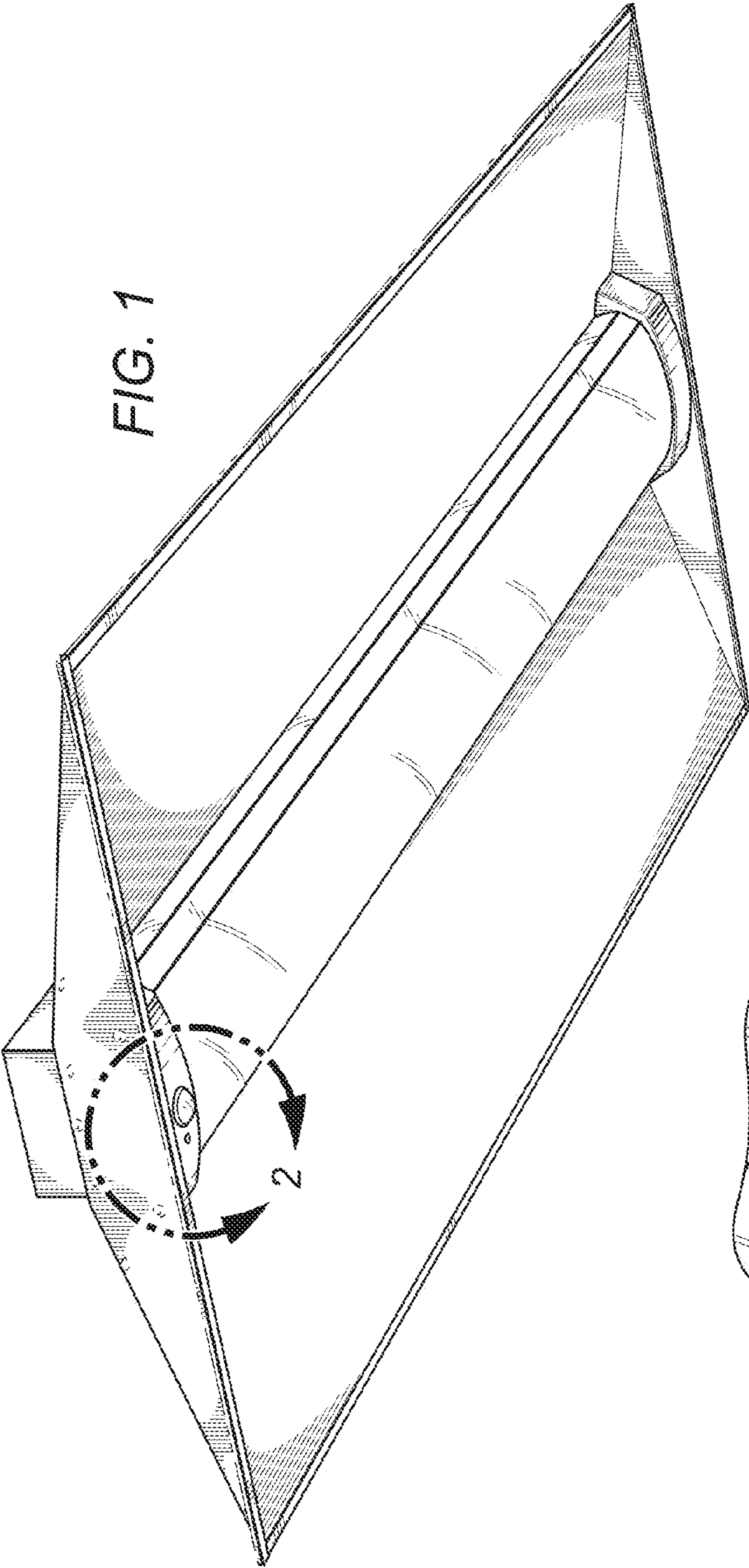
**References Cited**

## OTHER PUBLICATIONS

U.S. Appl. No. 13/345,215, filed Jan. 6, 2012, Lu, et al.  
 International Preliminary Report on Patentability from PCT/US2012/071800 dated Jul. 10, 2014.  
 Office Action from Patent Application No. 13/189,535, dated Jun. 20, 2014.  
 Office Action from U.S. Appl. No. 13/453,924, dated Jun. 25, 2014.  
 Office Action from U.S. Appl. No. 13/443,630, dated Jul. 1, 2014.  
 First Office Action from Chinese Patent Appl. No. 2012800369142, dated Mar. 26, 2015.  
 Office Action from U.S. Appl. No. 13/464,745, dated Apr. 2, 2015.  
 Office Action from U.S. Appl. No. 13/442,746, dated Apr. 28, 2015.  
 Office Action from U.S. Appl. No. 13/368,217, dated May 13, 2015.  
 Office Action from U.S. Appl. No. 13/828,348, dated May 27, 2015.  
 Reasons for Rejection from Japanese Patent Appl. No. 2013-543207, dated May 20, 2014.  
 First Office Action from Chinese Patent Appl. No. 2011800529984, dated May 4, 2014.  
 Office Action from U.S. Appl. No. 13/544,662, dated May 5, 2014.  
 Office Action from U.S. Appl. No. 13/844,431, dated May 15, 2014.  
 Office Action from U.S. Appl. No. 13/341,741, dated Jun. 6, 2014.  
 Notice of Completion of Pretrial Re-examination from Japanese Patent appl. No. 2013-543207, dated Jun. 30, 2015.  
 Pretrial Report from Japanese Appl. No. 2013-543207, dated Jun. 19, 2015.  
 Decision of Rejection from Chinese Patent Appl. No. 201180052998.4, dated Jul. 16, 2015.  
 Office Action from U.S. Appl. No. 12/873,303, dated Jun. 22, 2015.  
 Response to OA from U.S. Appl. No. 12/873,303, filed Aug. 21, 2015.  
 Office Action from U.S. Appl. No. 13/341,741, dated Jun. 22, 2015.  
 Office Action from U.S. Appl. No. 13/443,630, dated Jun. 23, 2015.  
 Response to OA from U.S. Appl. No. 13/443,630, filed Aug. 21, 2015.  
 Office Action from U.S. Appl. No. 13/189,535, dated Jul. 14, 2015.  
 Office Action from U.S. Appl. No. 13/453,924, dated Jul. 21, 2015.  
 Office Action from U.S. Appl. No. 13/442,746, dated Jul. 27, 2015.  
 Office Action from U.S. Appl. No. 14/020,757, dated Aug. 3, 2015.  
 Second Office Action and Search Report from Chinese Appl. No. 2011800529984, dated Dec. 26, 2014.  
 Grant Notice from European Appl. No. 13701525.1, dated Nov. 19, 2014.

International Report and Written Opinion from PCT/US2013/049225, dated Jan. 22, 2015.  
 Office Action from U.S. Appl. No. 13/828,348, dated Nov. 20, 2014.  
 Office Action from U.S. Appl. No. 12/873,303, dated Nov. 28, 2014.  
 Office Action from U.S. Appl. No. 13/464,745, dated Dec. 10, 2014.  
 Office Action from U.S. Appl. No. 13/341,741, dated Dec. 24, 2014.  
 Office Action from U.S. Appl. No. 13/189,535, dated Jan. 13, 2015.  
 First Official Action from European Patent Appl. No. 12 743 003.1-1757, dated Jan. 16, 2015.  
 Preliminary Report and Written Opinion from PCT appl. No. PCT/US2012/047084, dated Feb. 6 2014.  
 Office Action from U.S. Appl. No. 13/464,745, dated Jul. 16, 2014.  
 International Preliminary Report on Patentability and Written Opinion from PCT/US2013/021053, dated Aug. 21, 2014.  
 Communication from European Patent Appl. No. 13701525.1-1757, dated Sep. 26, 2014.  
 Decision of Rejection from Japanese Appl. No. 2013-543207, dated Nov. 25, 2014.  
 Office Action from Mexican Appl. No. 100881, dated Nov. 28, 2014.  
 Grant Notice from European Appl. No. 13701525.1-1757, dated Nov. 24, 2014.  
 Preliminary Report on Patentability from PCT/US2013/035668, dated Oct. 14, 2014.  
 Office Action from U.S. Appl. No. 13/442,746, dated Sep. 15, 2014.  
 Office Action from U.S. Appl. No. 13/429,080, dated Sep. 16, 2014.  
 Office Action from U.S. Appl. No. 13/844,431, dated Oct. 10, 2014.  
 Office Action from U.S. Appl. No. 13/443,630, dated Oct. 10, 2014.  
 Office Action from U.S. Appl. No. 13/368,217, dated Oct. 22, 2014.  
 Office Action from U.S. Appl. No. 12/961,385, dated Nov. 6, 2014.  
 Office Action from U.S. Appl. No. 13/453,924, dated Nov. 7, 2014.  
 Office Action from U.S. Appl. No. 13/429,080, dated Apr. 18, 2014.  
 Office Action from U.S. Appl. No. 12/961,385, dated Mar. 11, 2014.  
 Office Action from U.S. Appl. No. 13/429,080, dated Sep. 1, 2015.  
 Office Action from U.S. Appl. No. 14/716,480, dated Sep. 24, 2015.  
 Office Action from U.S. Appl. No. 14/170,627, dated Oct. 5, 2015.  
 Office Action from U.S. Appl. No. 13/368.217, dated Oct. 8, 2015.  
 Office Action from U.S. Appl. No. 13/464,745, dated Oct. 8, 2015.  
 Office Action from U.S. Appl. No. 29/466,391, dated Oct. 14, 2015.  
 Office Action from U.S. Appl. No. 12/961,385, dated Nov. 27, 2015.  
 Office Action from U.S. Appl. No. 13/828,348, dated Nov. 4, 2015.  
 Office Action from U.S. Appl. No. 14/020,757, dated Nov. 24, 2014.  
 First Office Action from Chinese Patent Appl. No. 2011800588770, dated Sep. 25, 2015.

\* cited by examiner



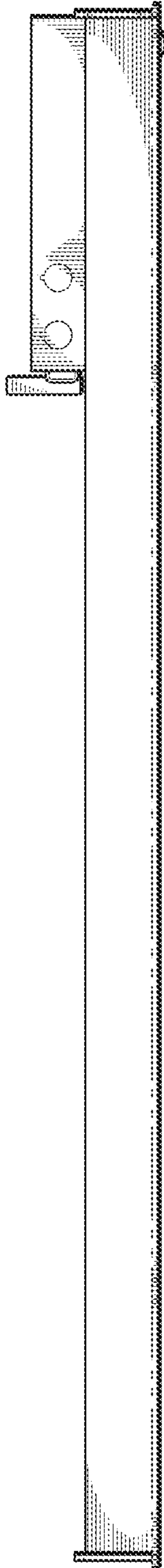


FIG. 3

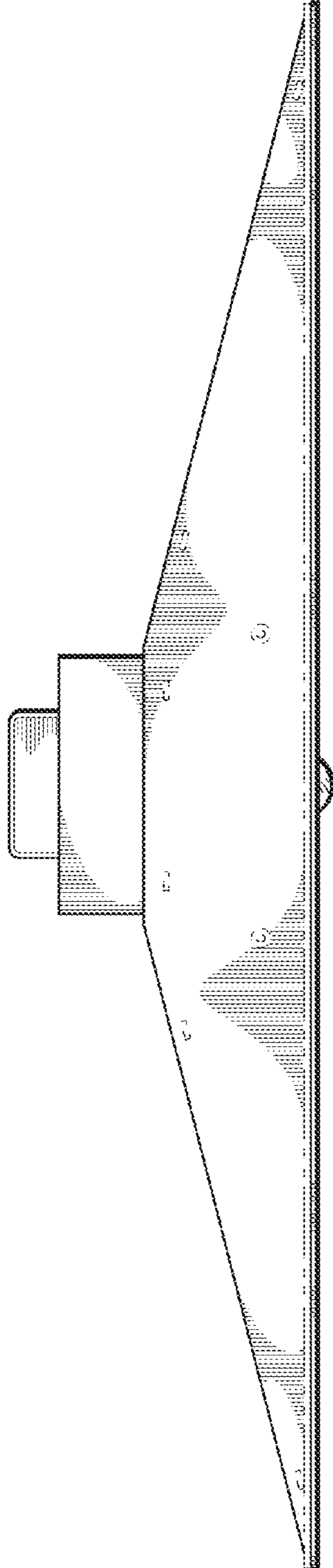


FIG. 4

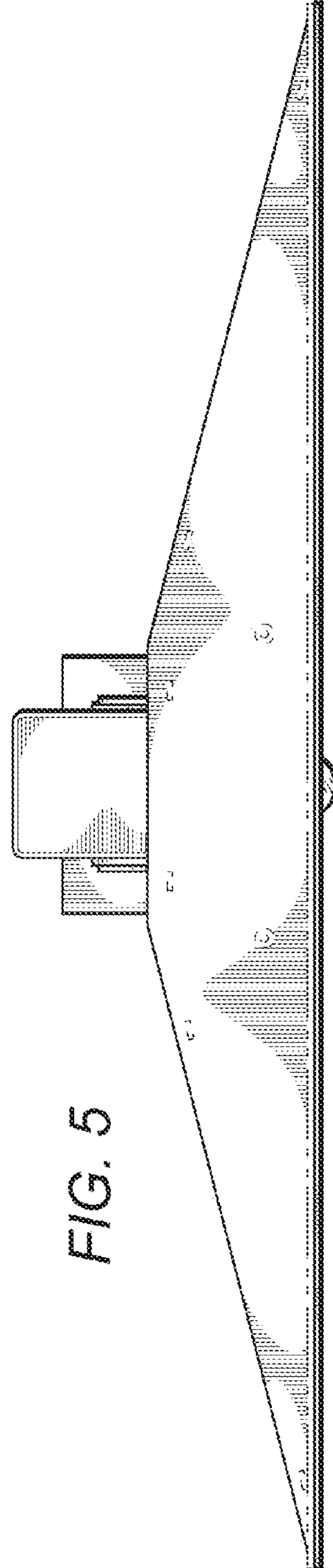
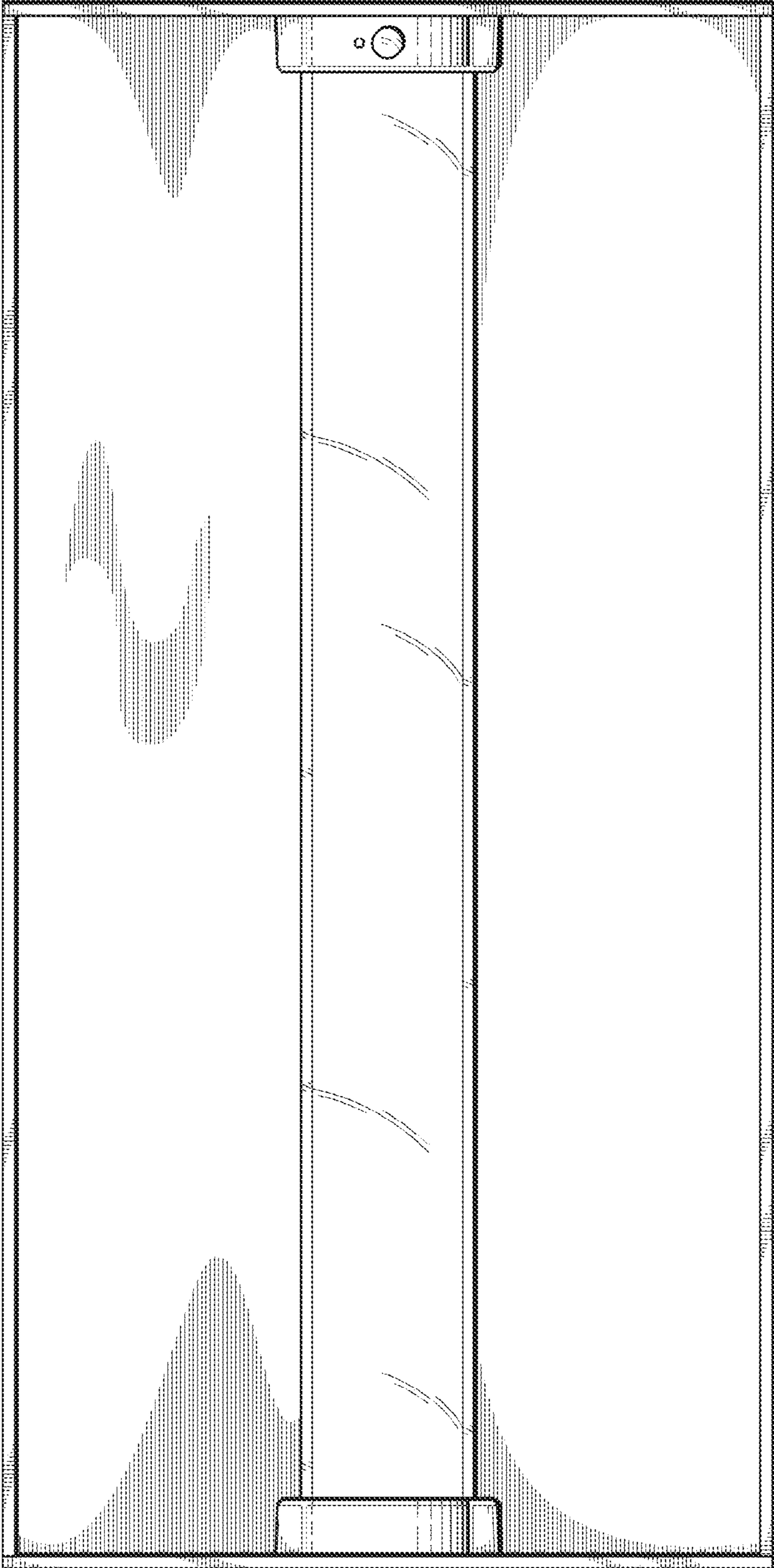


FIG. 5

FIG. 6



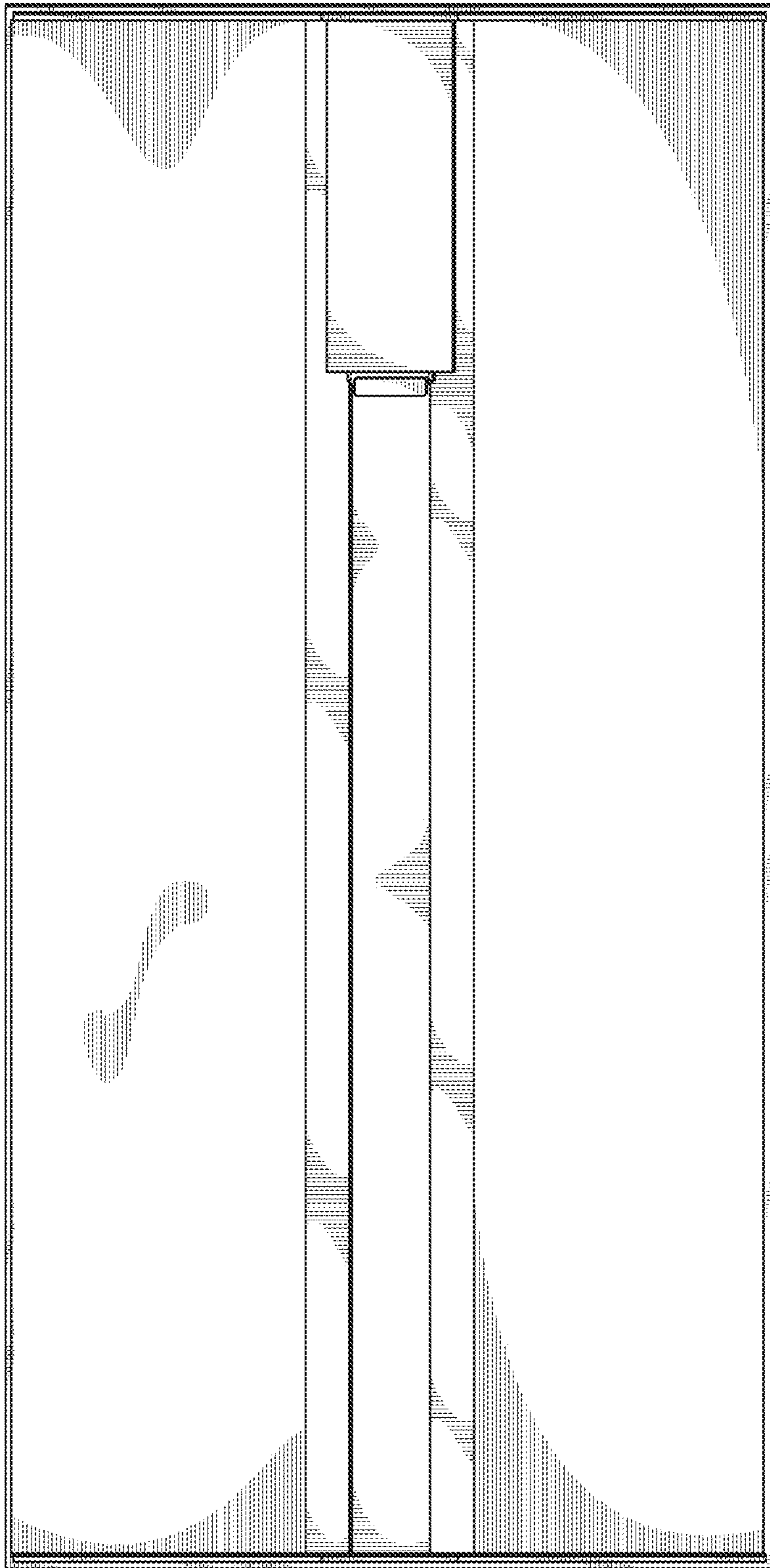


FIG. 7



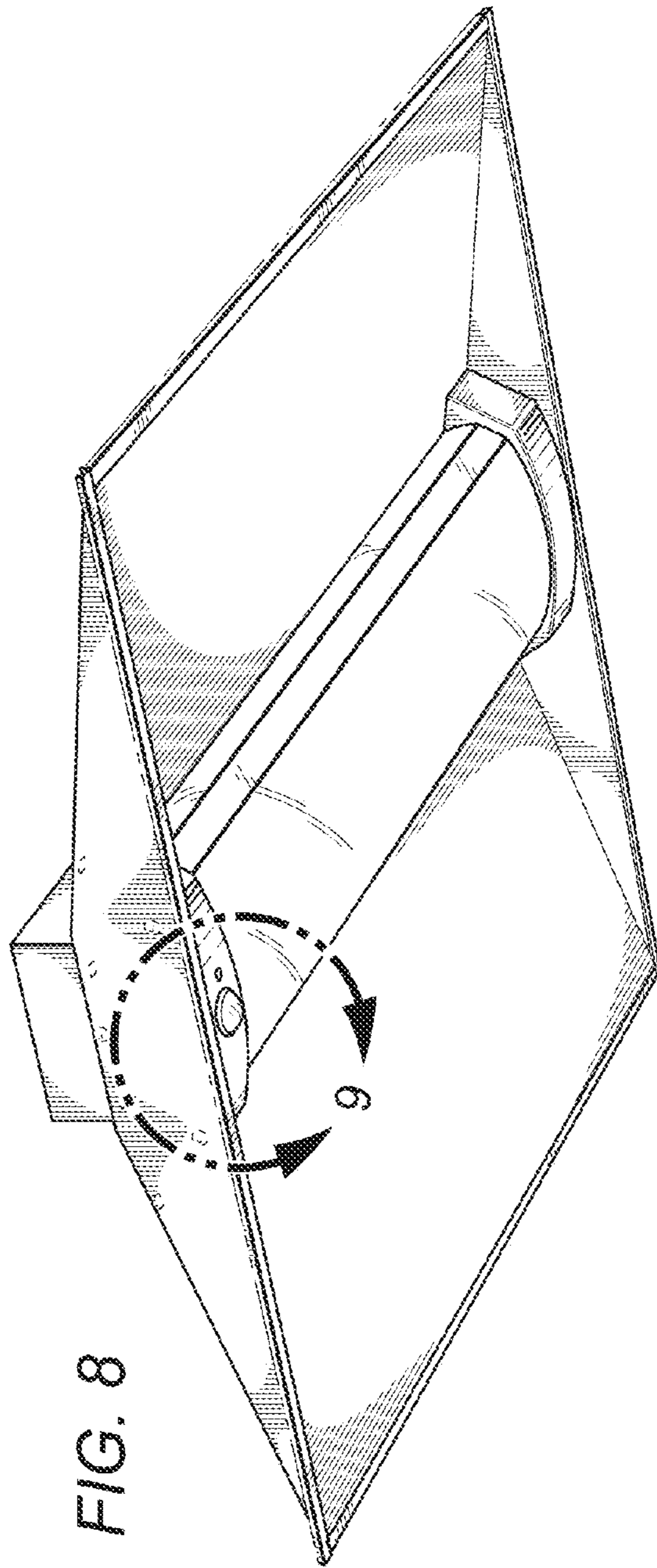


FIG. 8

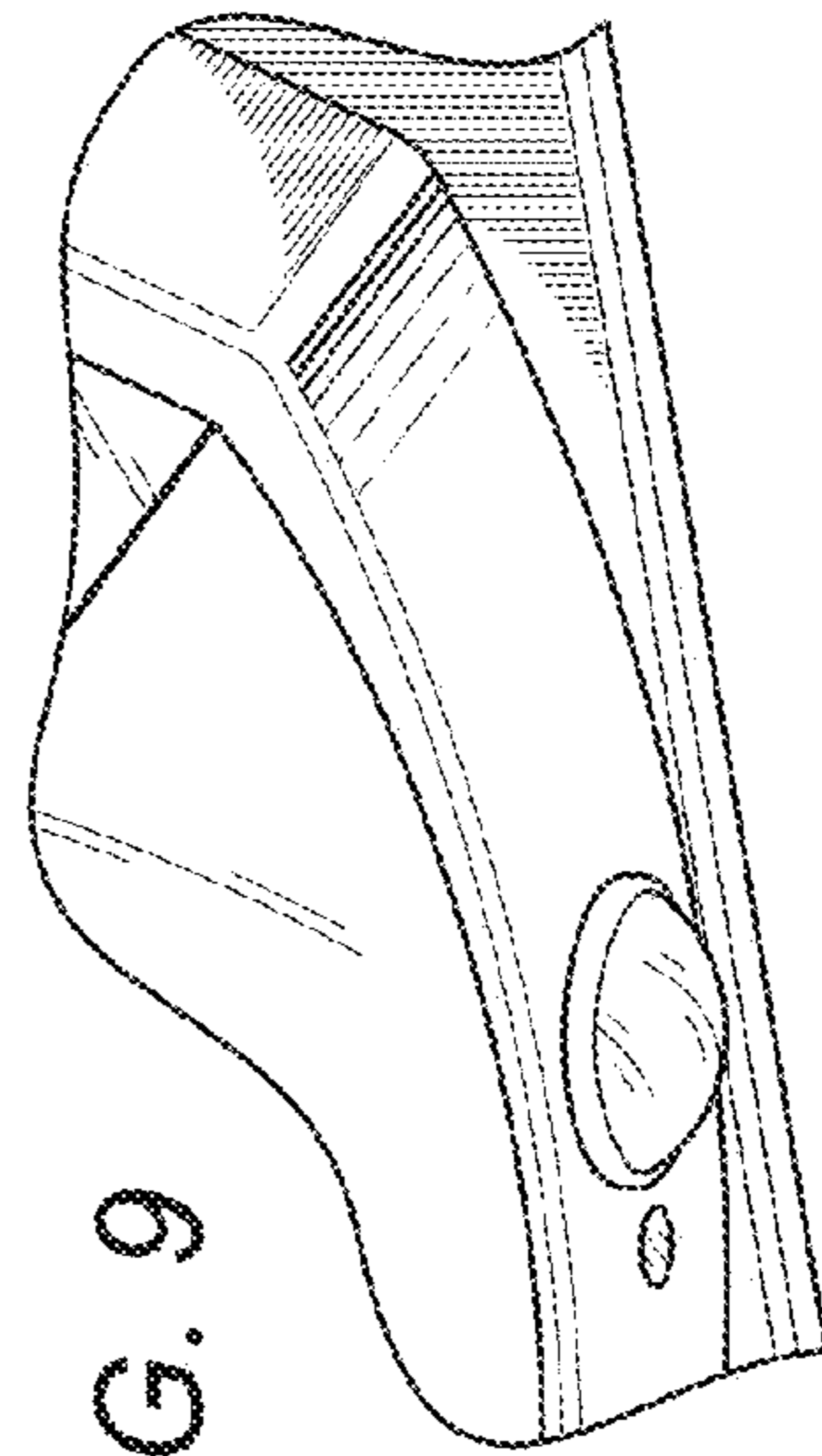


FIG. 9

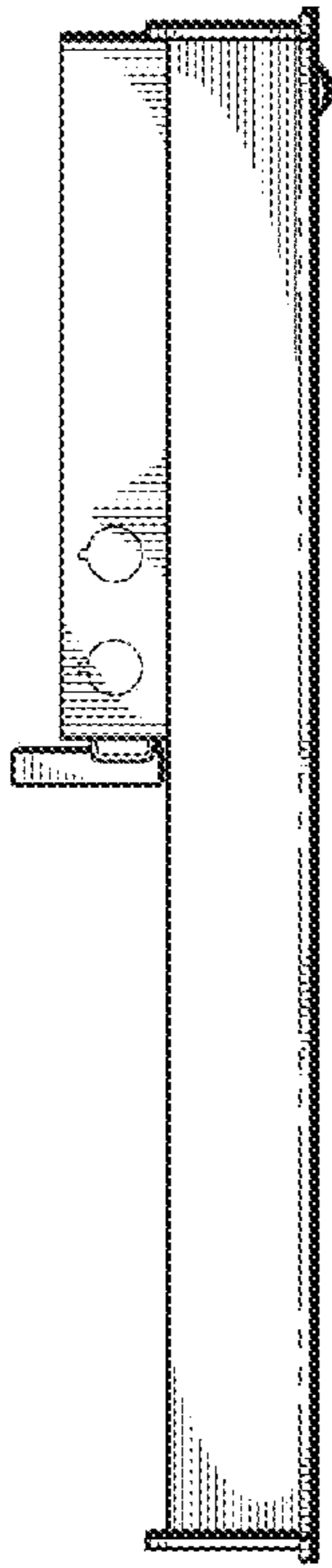


FIG. 10

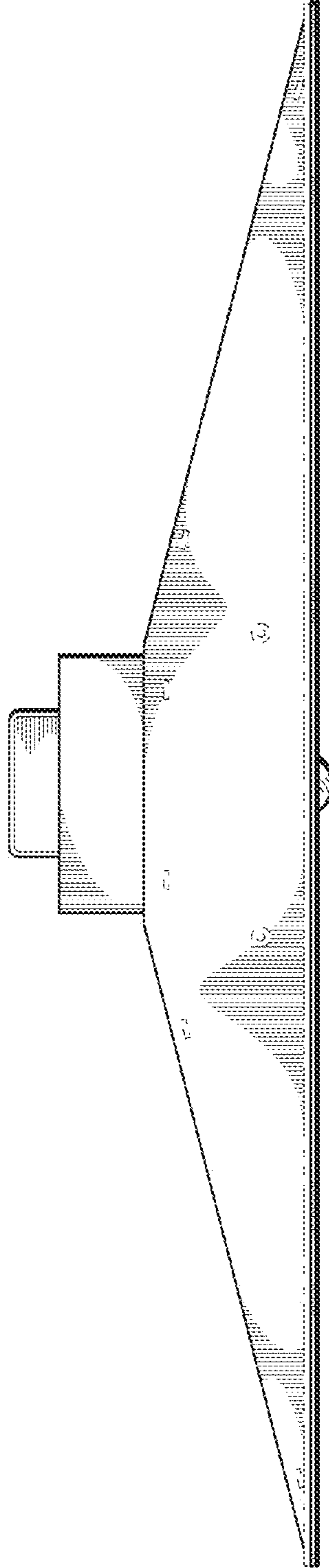


FIG. 11

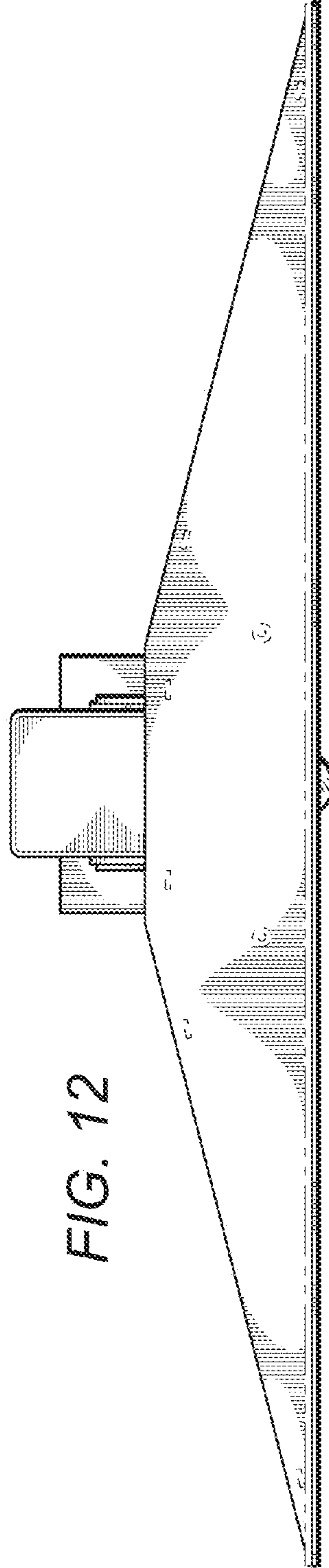


FIG. 12

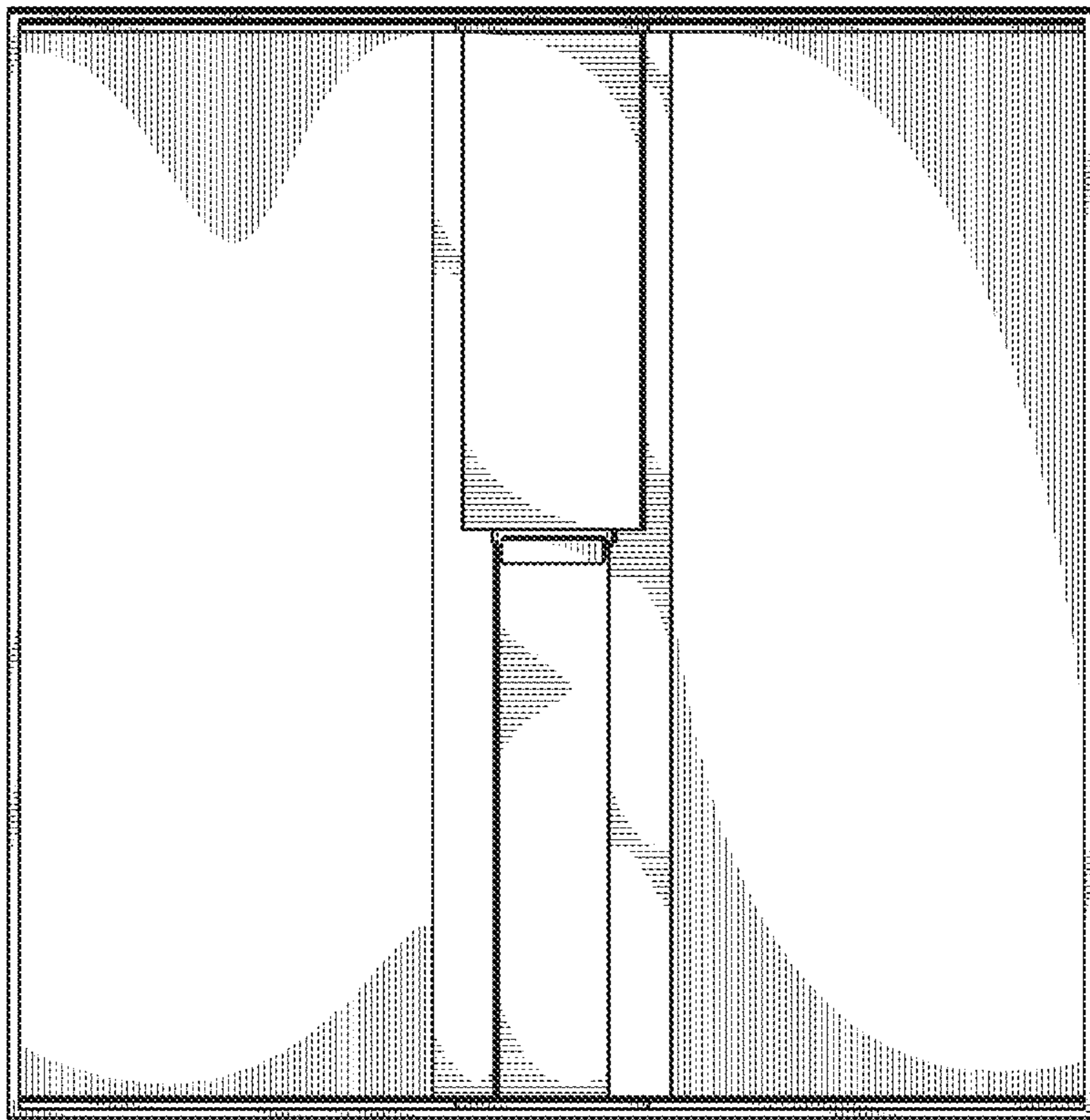


FIG. 14

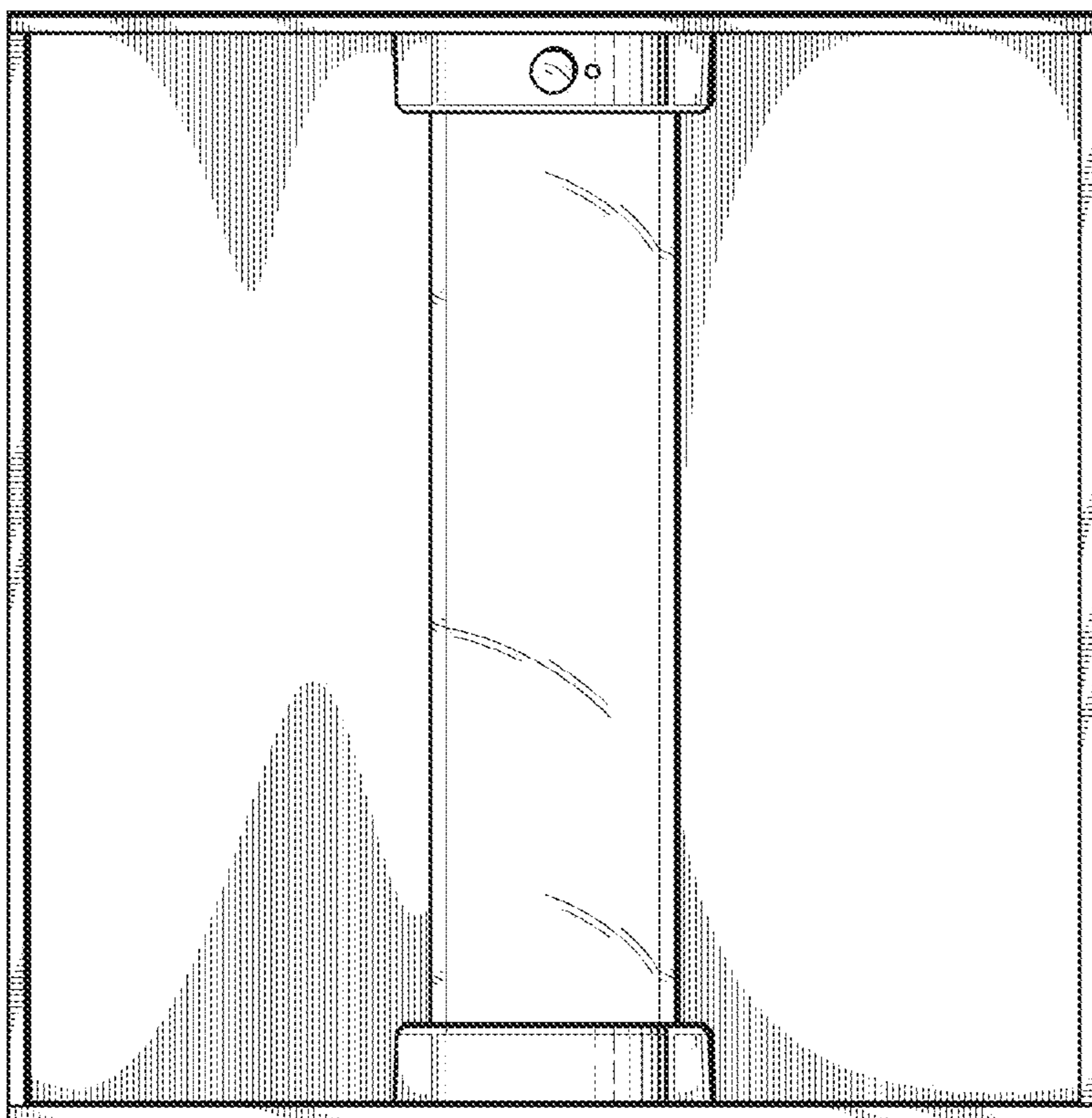


FIG. 13

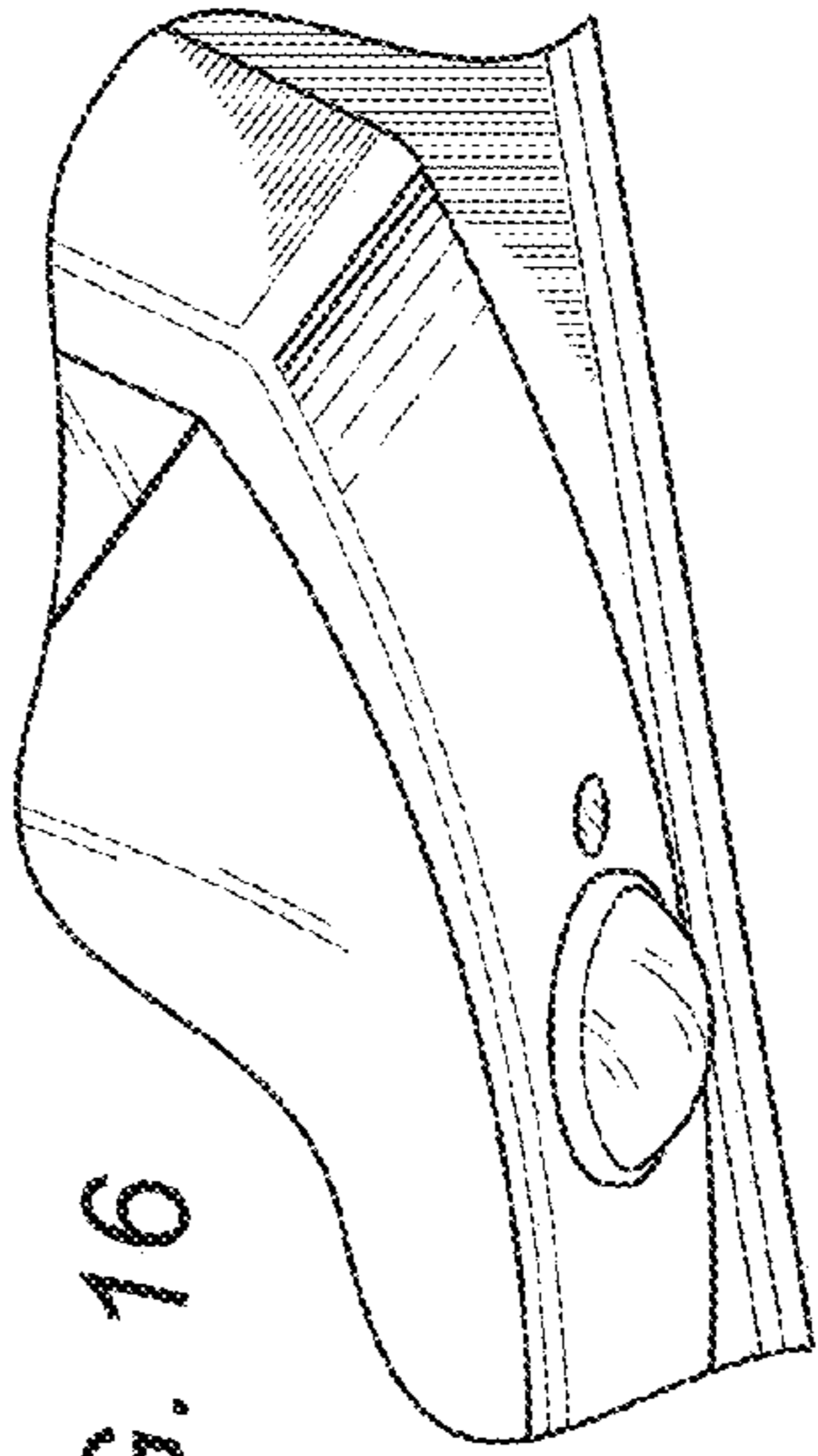
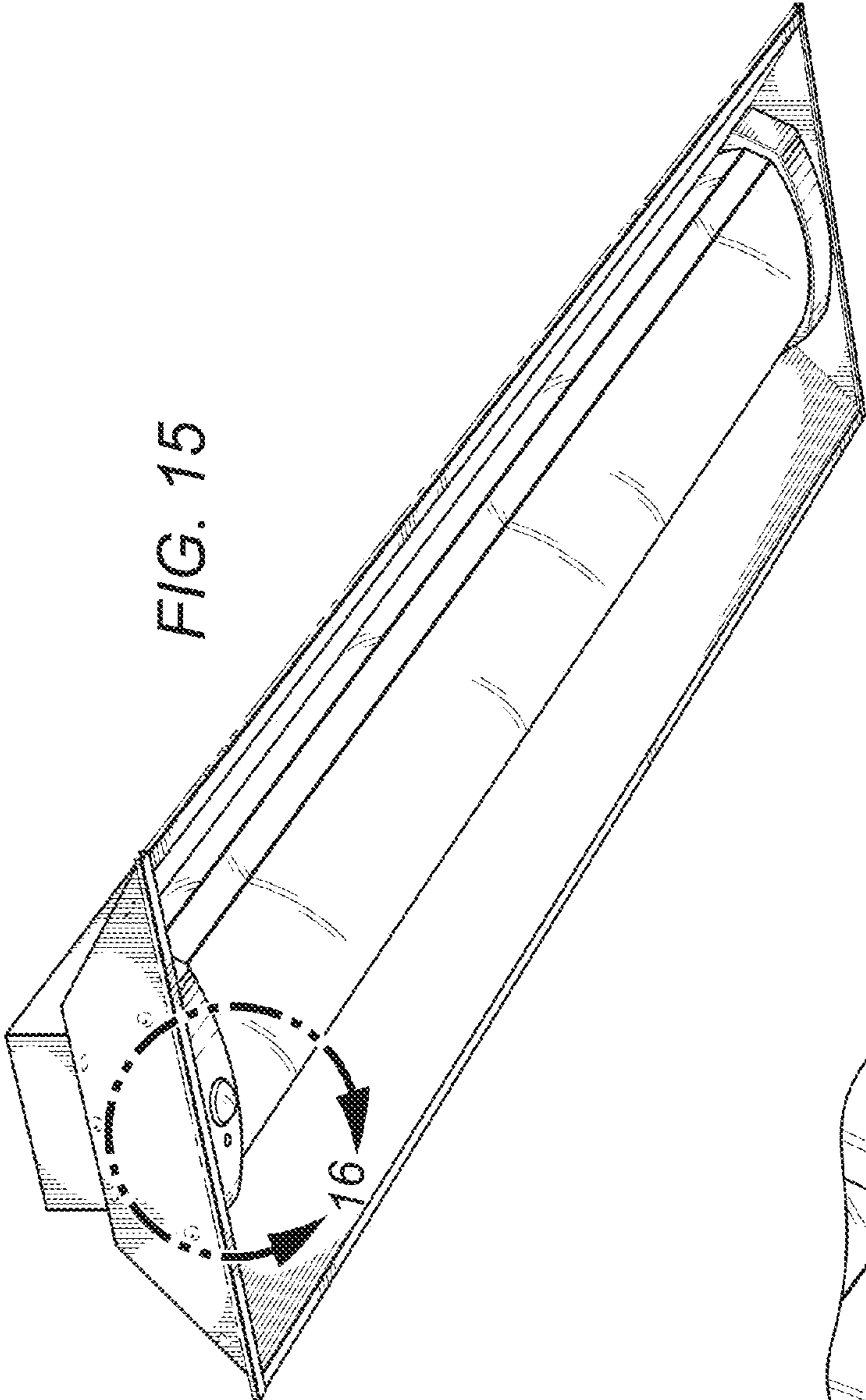


FIG. 15

FIG. 16

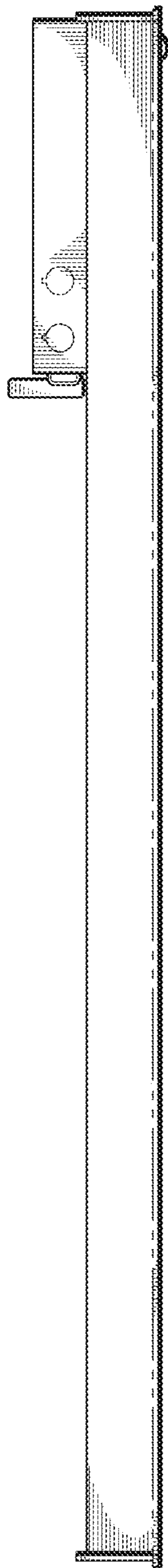


FIG. 17

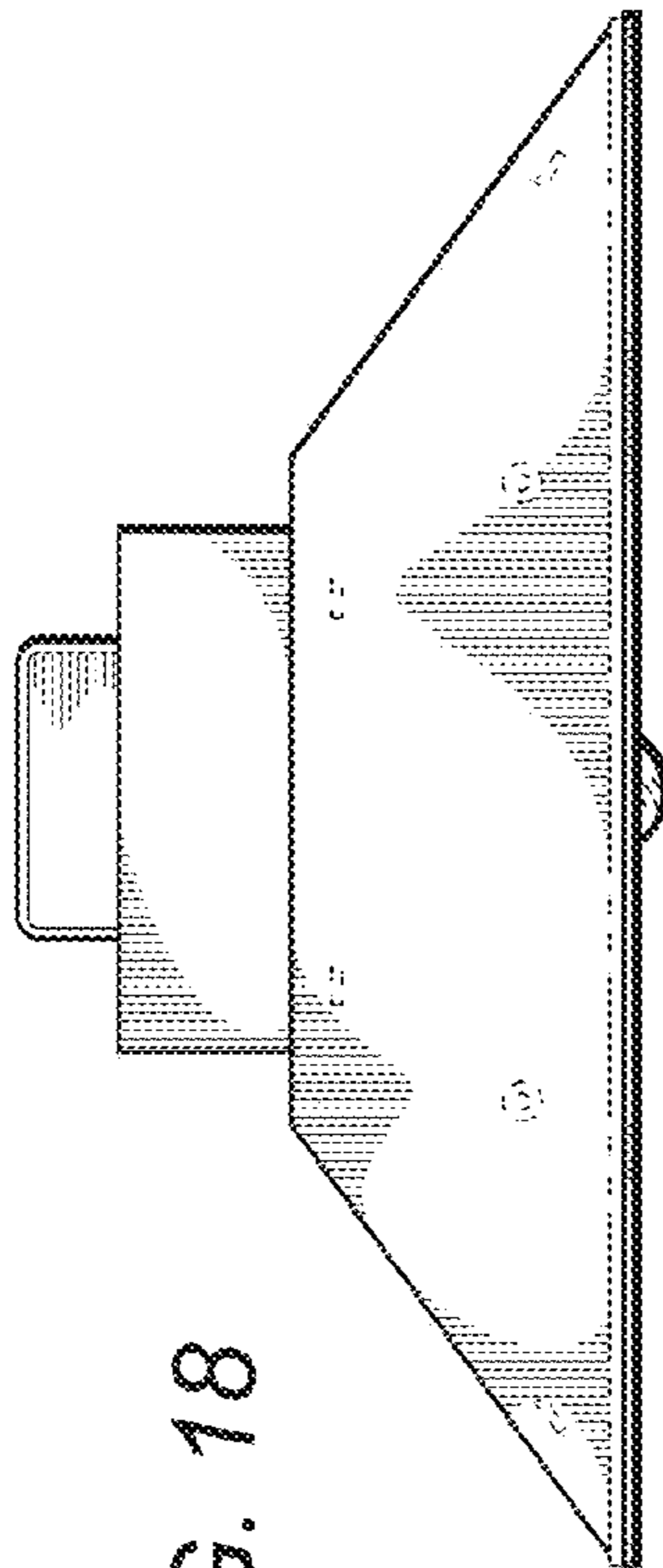


FIG. 18

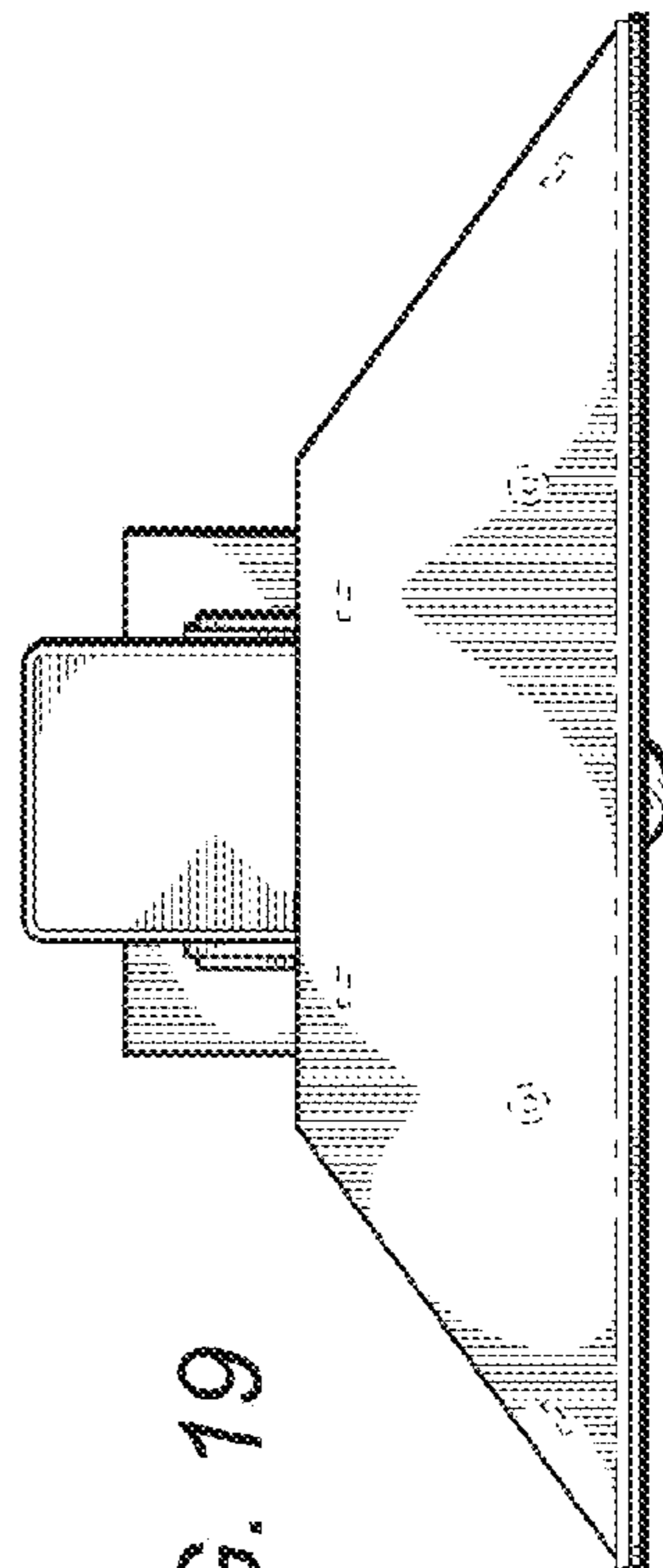


FIG. 19

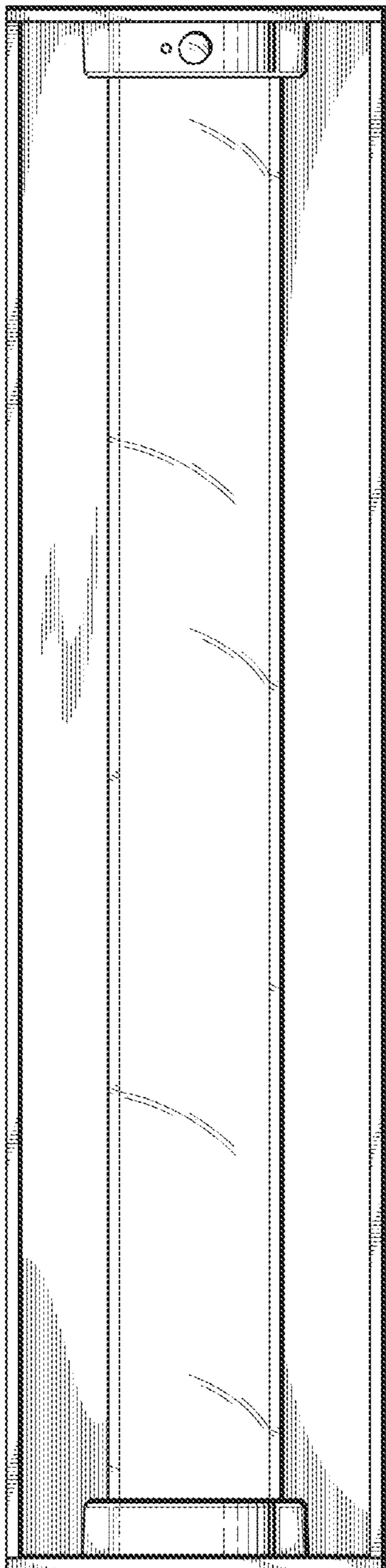


FIG. 20

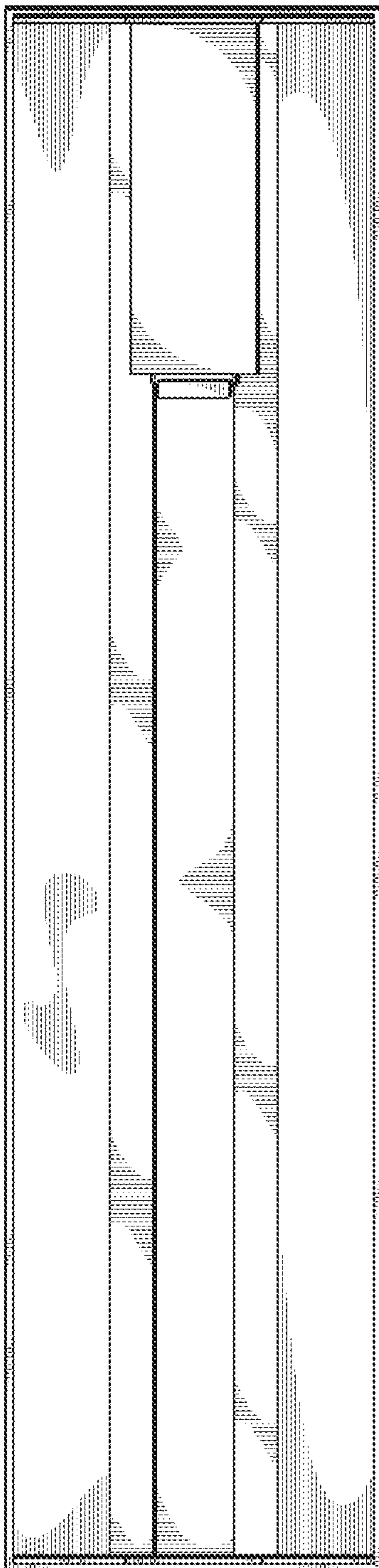


FIG. 21