



US00D749767S

(12) **United States Design Patent**  
**Jin et al.**

(10) **Patent No.:** **US D749,767 S**

(45) **Date of Patent:** **\*\* Feb. 16, 2016**

(54) **FLOODLIGHT LUMINAIRE**

(56) **References Cited**

(71) Applicant: **KONINKLIJKE PHILIPS ELECTRONICS N. V.**, Eindhoven (NL)

U.S. PATENT DOCUMENTS

(72) Inventors: **Jian Jin**, Shanghai (CN); **William Bo Zhou**, Shanghai (CN)

D211,388 S *	6/1968	Harrison	.....	D26/63
D291,360 S *	8/1987	De Vos et al.	.....	D26/63
D296,829 S *	7/1988	Peppers	.....	D26/63
D322,135 S *	12/1991	Wierzbicki et al.	.....	D26/24
D567,980 S *	4/2008	Guercio	.....	D26/63
D642,313 S *	7/2011	Janssen	.....	D26/63
D693,508 S *	11/2013	Fletcher et al.	.....	D26/63
D699,877 S *	2/2014	Song et al.	.....	D26/63
D700,726 S *	3/2014	Kim et al.	.....	D26/63

(73) Assignee: **Koninklijke Philips N.V.**, Eindhoven (NL)

(\*\*) Term: **14 Years**

\* cited by examiner

(21) Appl. No.: **29/450,521**

*Primary Examiner* — Brian N Vinson

(22) Filed: **Mar. 19, 2013**

(57) **CLAIM**

The ornamental design for a floodlight luminaire, as shown and described.

(30) **Foreign Application Priority Data**

**DESCRIPTION**

Sep. 19, 2012 (EM) ..... 002105635-0001

(51) **LOC (10) Cl.** ..... **26-03**

(52) **U.S. Cl.**

USPC ..... **D26/63**

(58) **Field of Classification Search**

USPC ..... D26/1, 24, 61, 63, 65, 85, 92

CPC ..... F21V 21/14; F21V 15/01; F21V 14/02;

F21V 21/30; F21V 21/00; F21V 14/00;

F21S 8/00; F21S 8/003; F21S 8/043; F21Y

2105/001

See application file for complete search history.

FIG. 1 is a perspective view showing my design;

FIG. 2 is a front elevational view thereof;

FIG. 3 is a rear elevational view thereof;

FIG. 4 is a right side elevational view thereof;

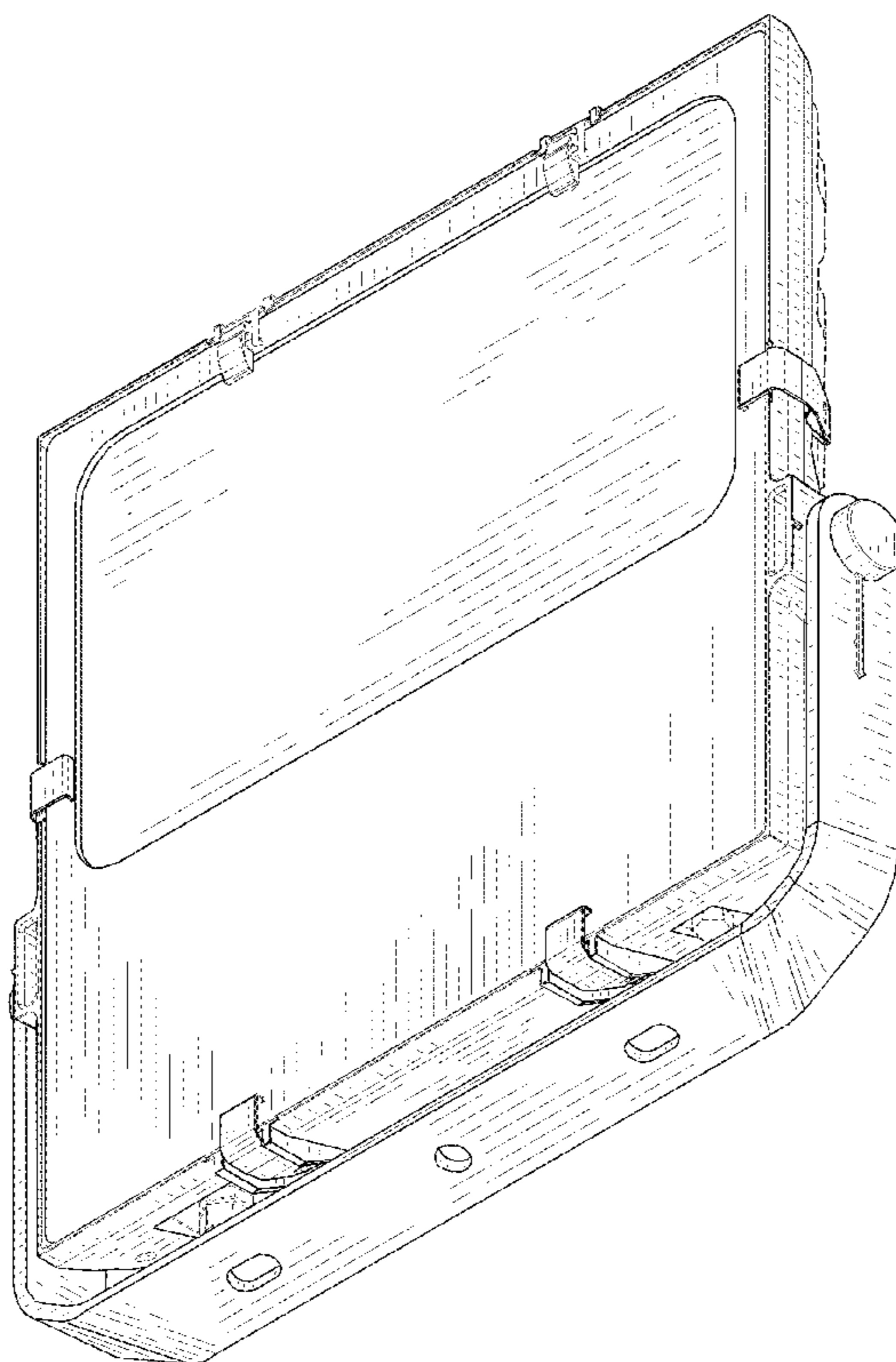
FIG. 5 is a left side elevational view thereof;

FIG. 6 is a top plan view thereof; and,

FIG. 7 is a bottom plan view thereof.

The broken lines shown in the figures are included for the purpose of illustrating portions of the floodlight luminaire which form no part of the claimed design.

**1 Claim, 6 Drawing Sheets**



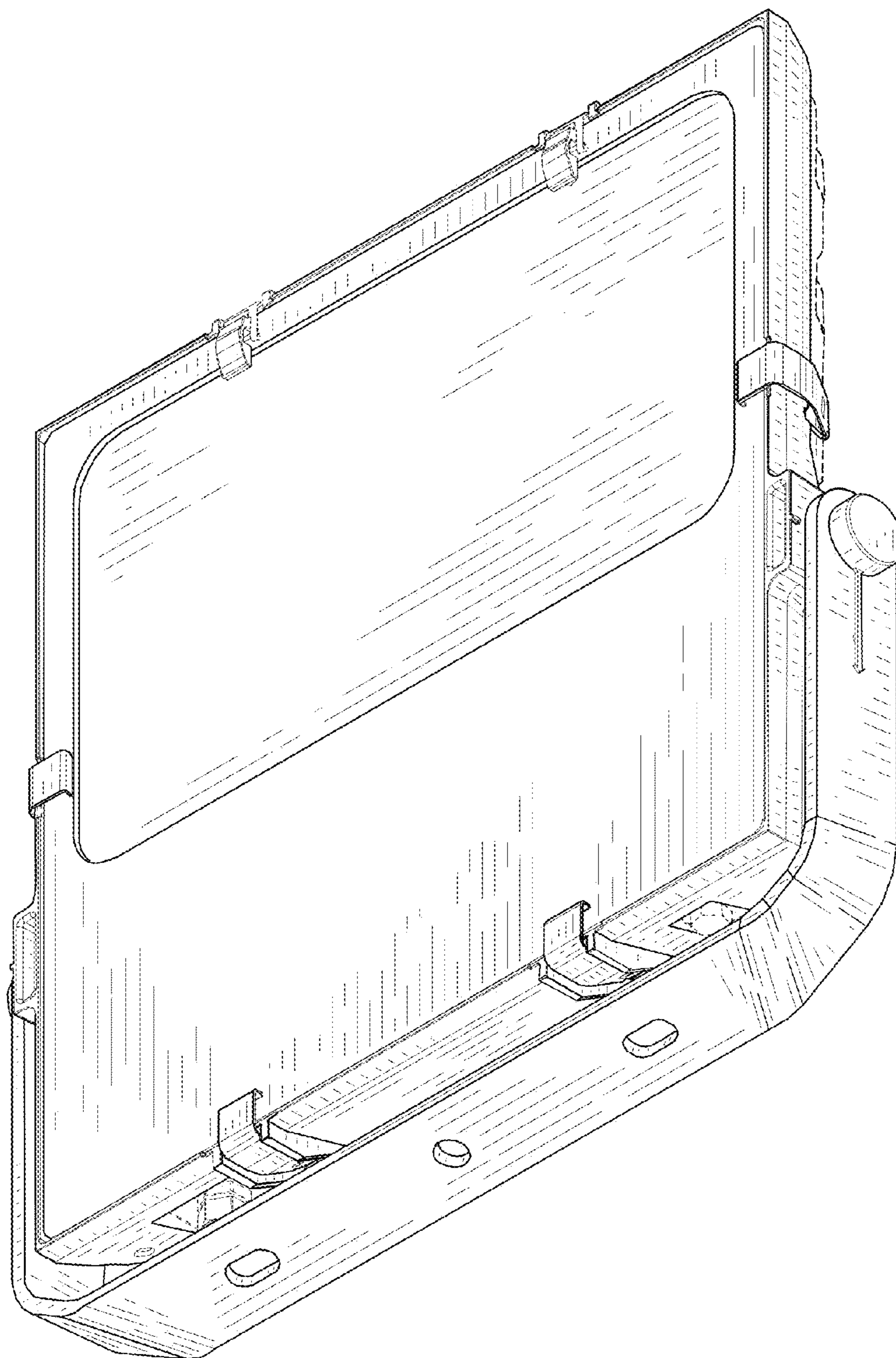


FIG. 1

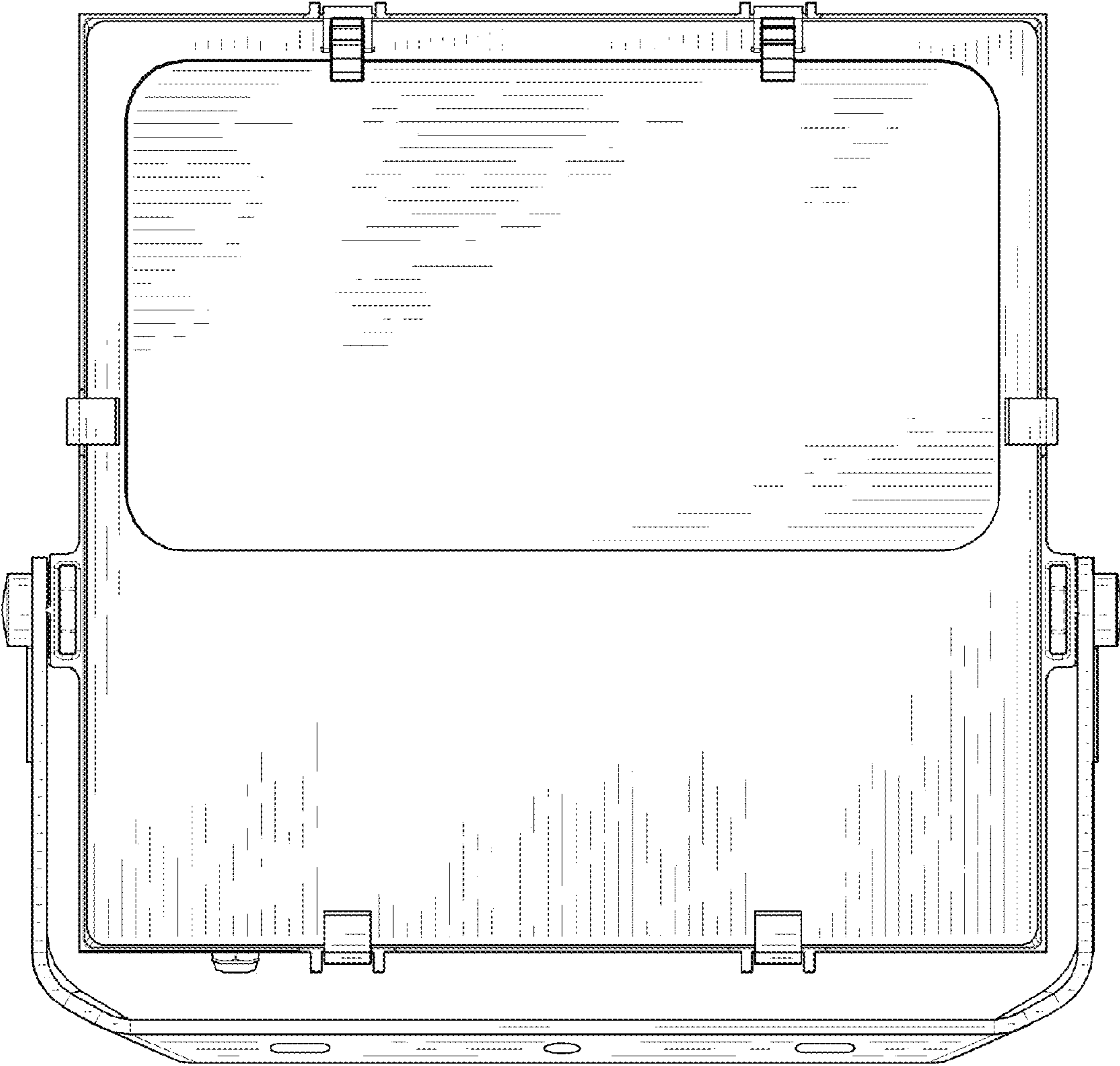


FIG. 2

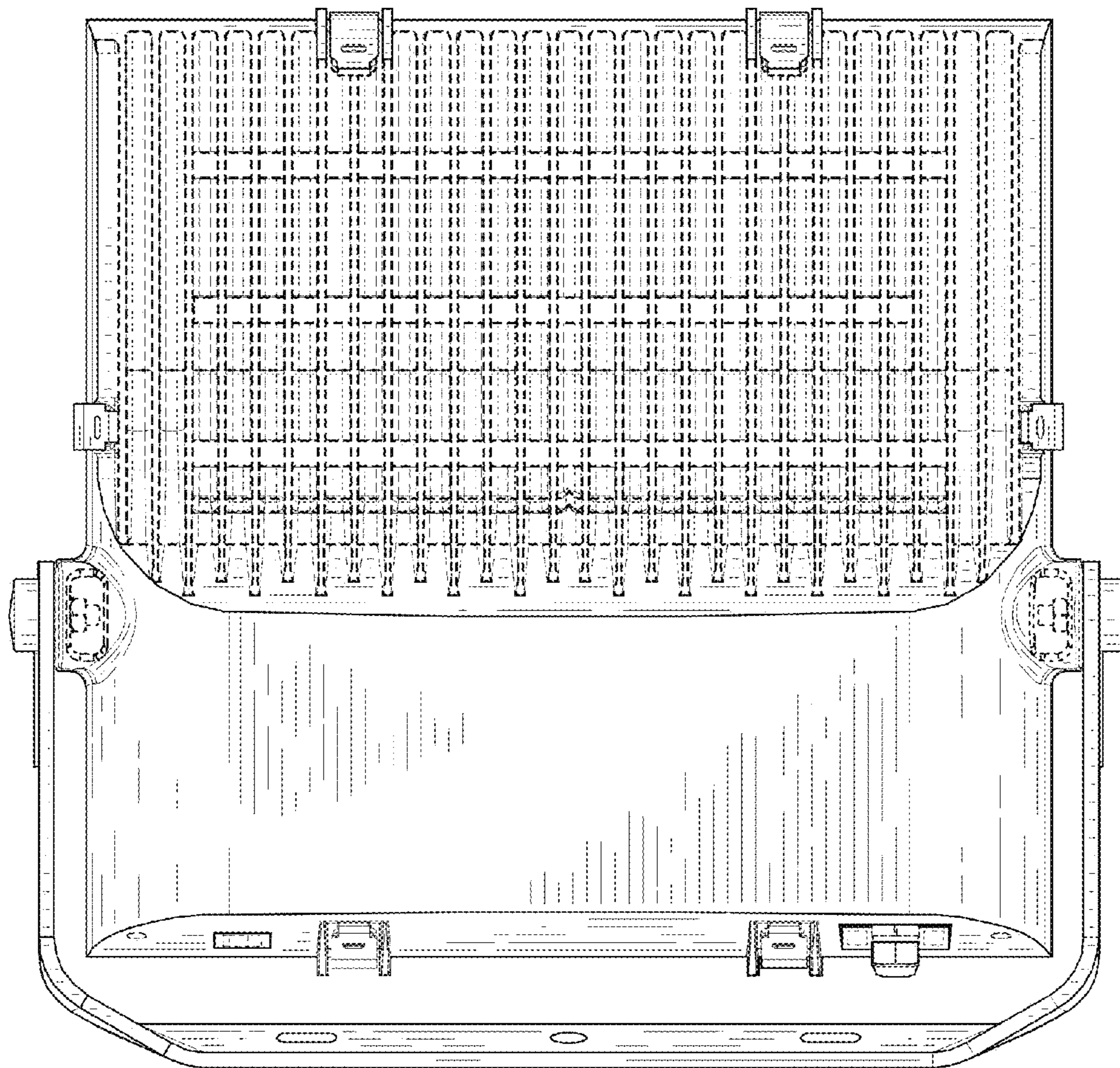


FIG. 3

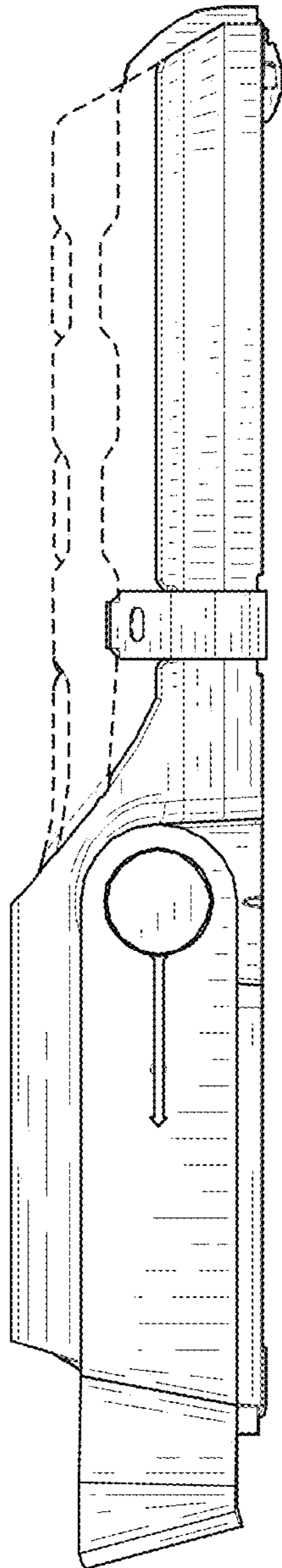


FIG. 4

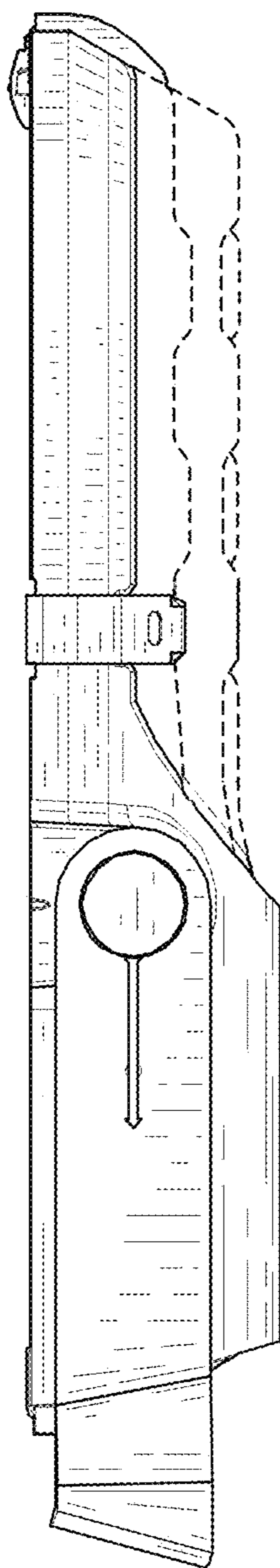


FIG. 5

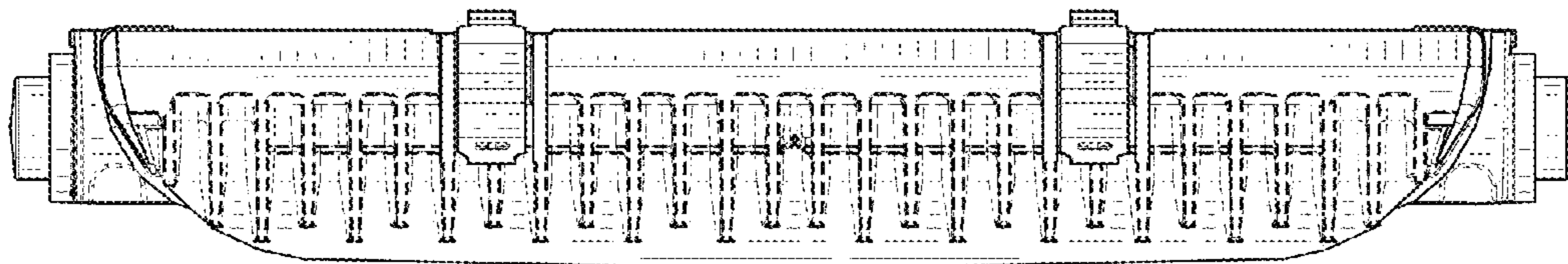


FIG. 6

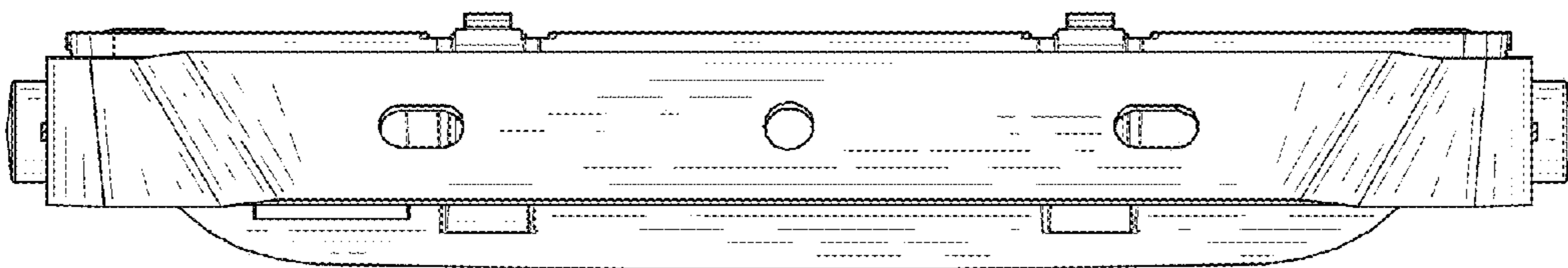


FIG. 7